



US00D977588S

(12) **United States Design Patent**
Feng

(10) **Patent No.:** **US D977,588 S**

(45) **Date of Patent:** **** Feb. 7, 2023**

(54) **TOY BLOCK**

(71) Applicant: **Xin Feng**, Baulkham Hills (AU)

(72) Inventor: **Xin Feng**, Baulkham Hills (AU)

(**) Term: **15 Years**

(21) Appl. No.: **29/788,229**

(22) Filed: **Apr. 17, 2021**

(51) **LOC (14) Cl.** **21-01**

(52) **U.S. Cl.**
USPC **D21/486**

(58) **Field of Classification Search**
USPC D21/484–505
CPC A63H 33/04; A63H 33/06; A63H 33/062;
A63H 33/08; A63H 33/082; A63H
33/084; A63H 33/086; A63H 33/088
See application file for complete search history.

(56) **References Cited**

U.S. PATENT DOCUMENTS

D315,375 S * 3/1991 Olsen D21/503
D317,474 S * 6/1991 Olsen D21/502
D317,475 S * 6/1991 Olsen D21/502
5,378,185 A * 1/1995 Ban A63H 33/08
446/124

D409,679 S * 5/1999 Jensen D21/501
D442,647 S * 5/2001 Chang D21/501
D557,352 S * 12/2007 Parein D21/484
D689,956 S * 9/2013 Chan D21/501
D757,861 S * 5/2016 Ryaa D21/484

* cited by examiner

Primary Examiner — Cynthia M. Chin

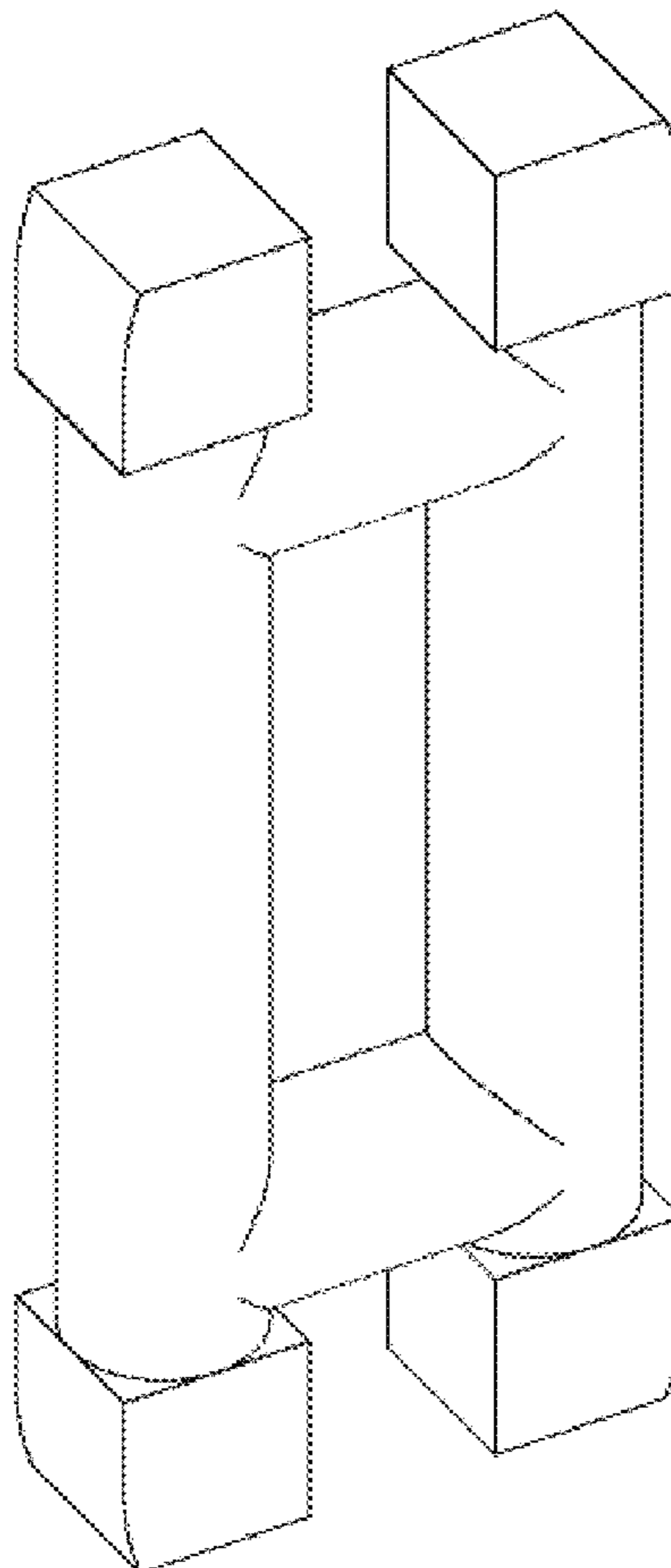
(57) **CLAIM**

The ornamental design for a toy block, as shown and described.

DESCRIPTION

FIG. 1 is a front view of a toy block showing my new design;
FIG. 2 is a Right view thereof;
FIG. 3 is a left view thereof;
FIG. 4 is a top view thereof;
FIG. 5 is a bottom view thereof;
FIG. 6 is a back view thereof;
FIG. 7 is a perspective view from top front right thereof;
FIG. 8 is a perspective view from top front left thereof;
FIG. 9 is a perspective view from bottom back right thereof;
and,
FIG. 10 is a perspective view from bottom back left thereof.

1 Claim, 10 Drawing Sheets



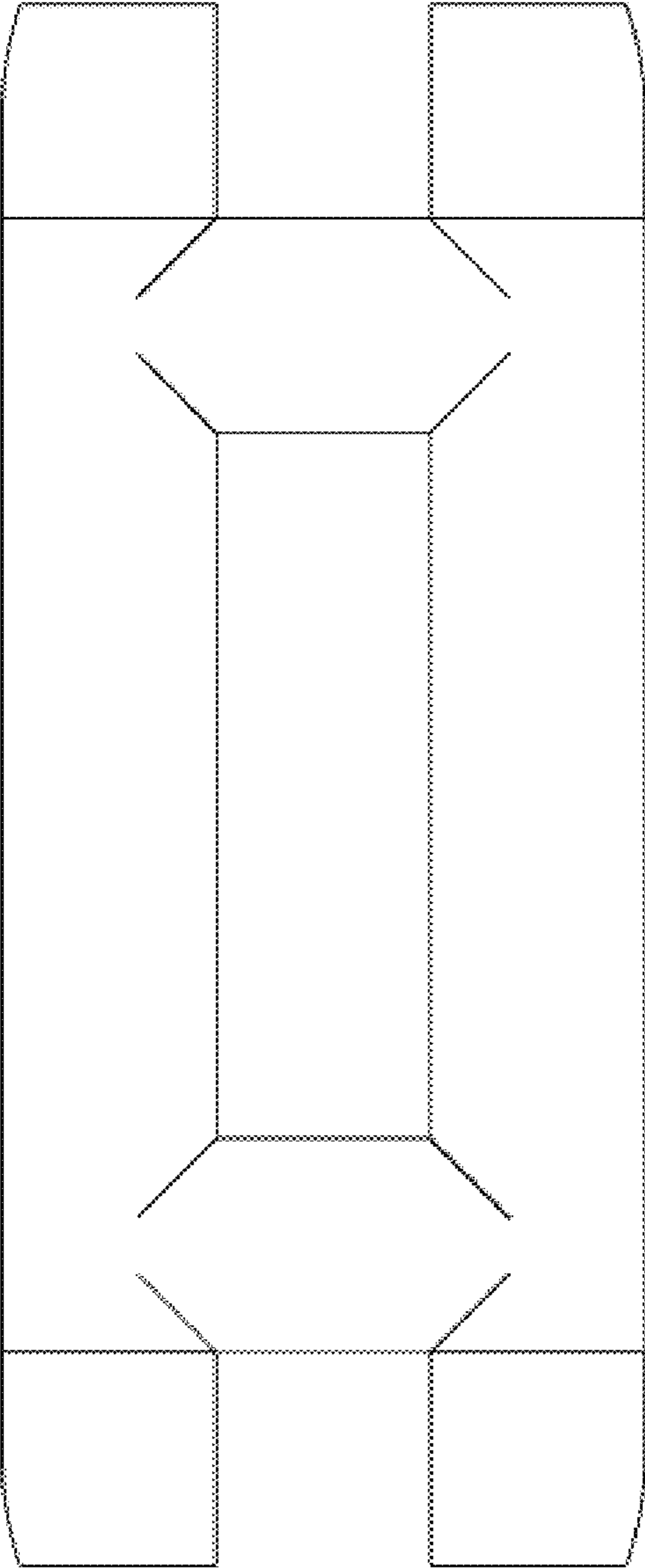


Figure 1

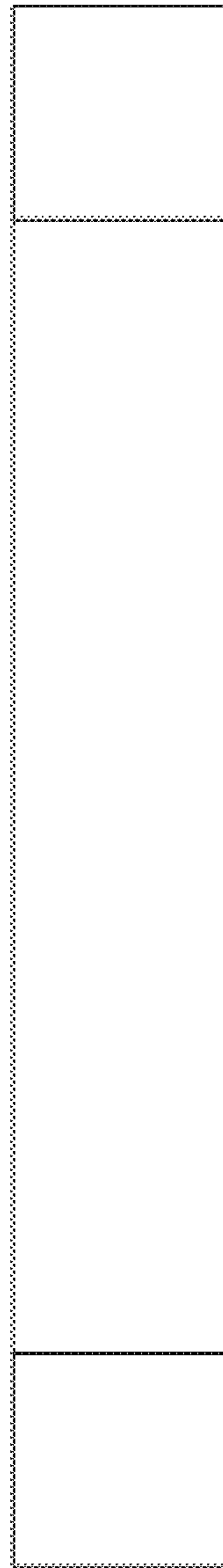


Figure 2

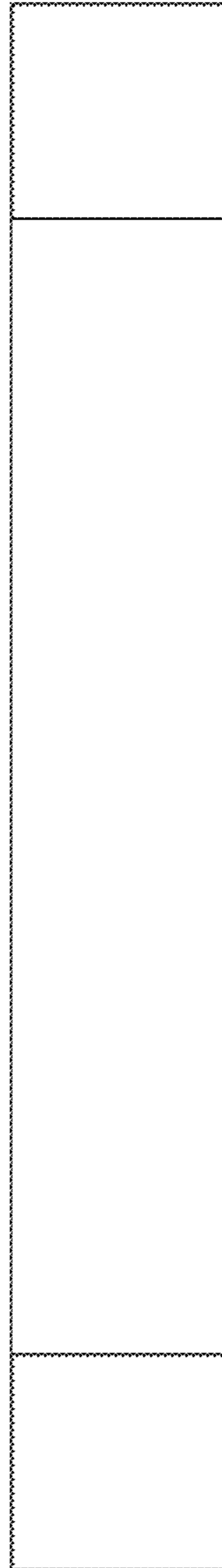


Figure 3



Figure 4



Figure 5

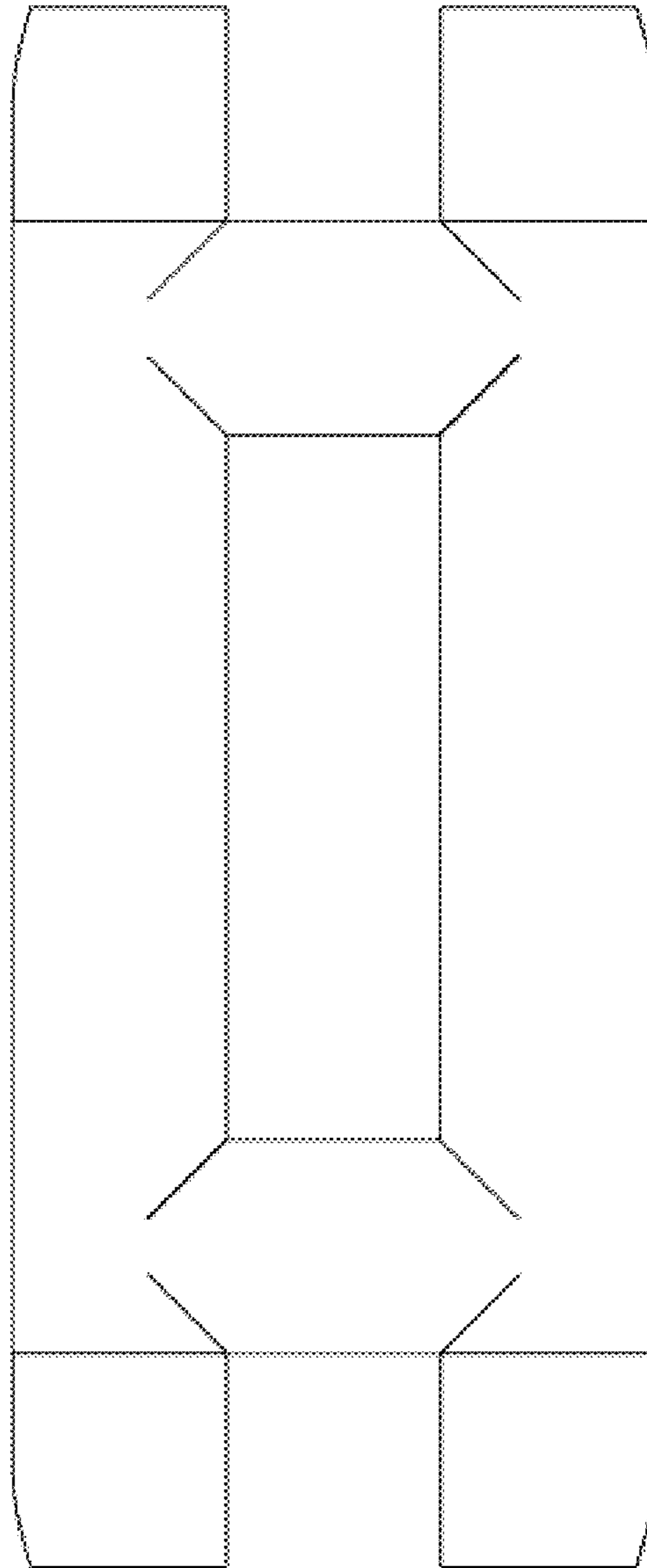


Figure 6

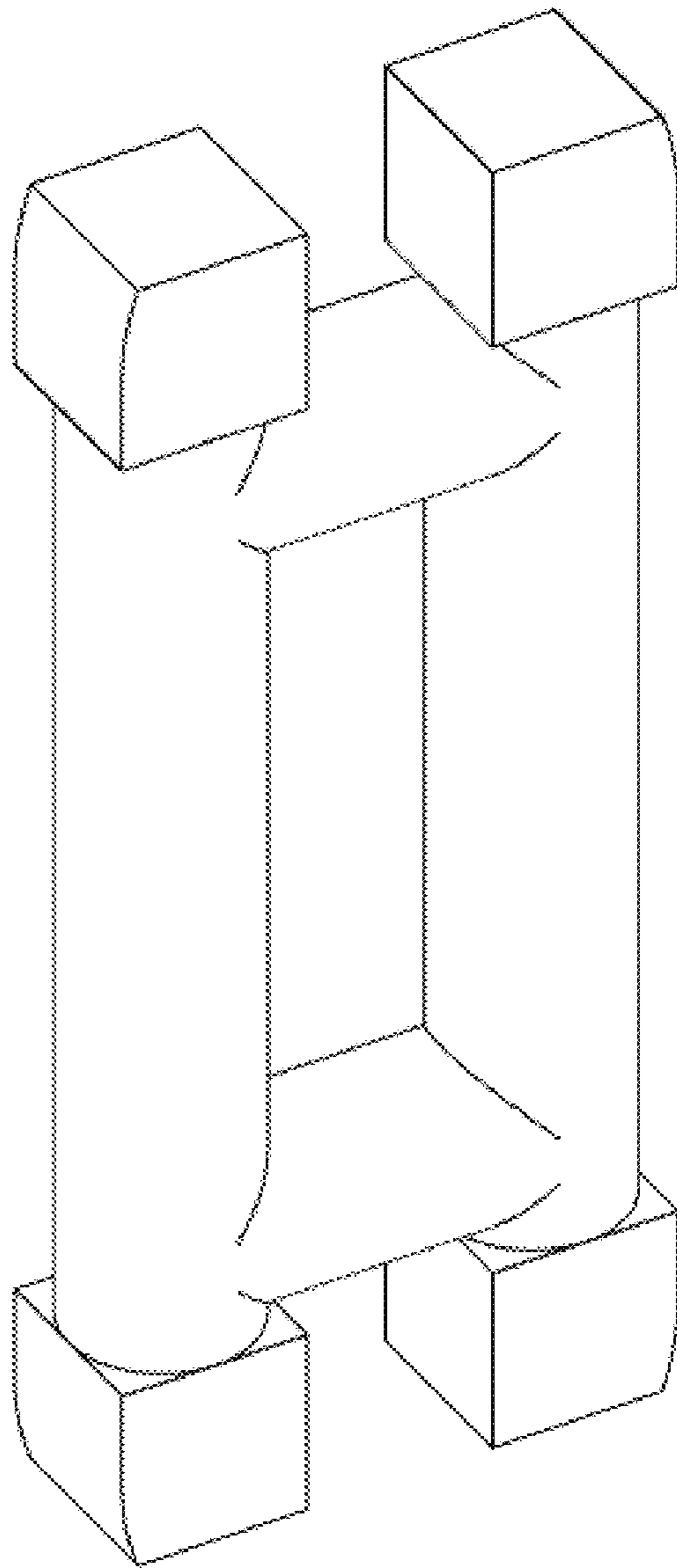


Figure 7

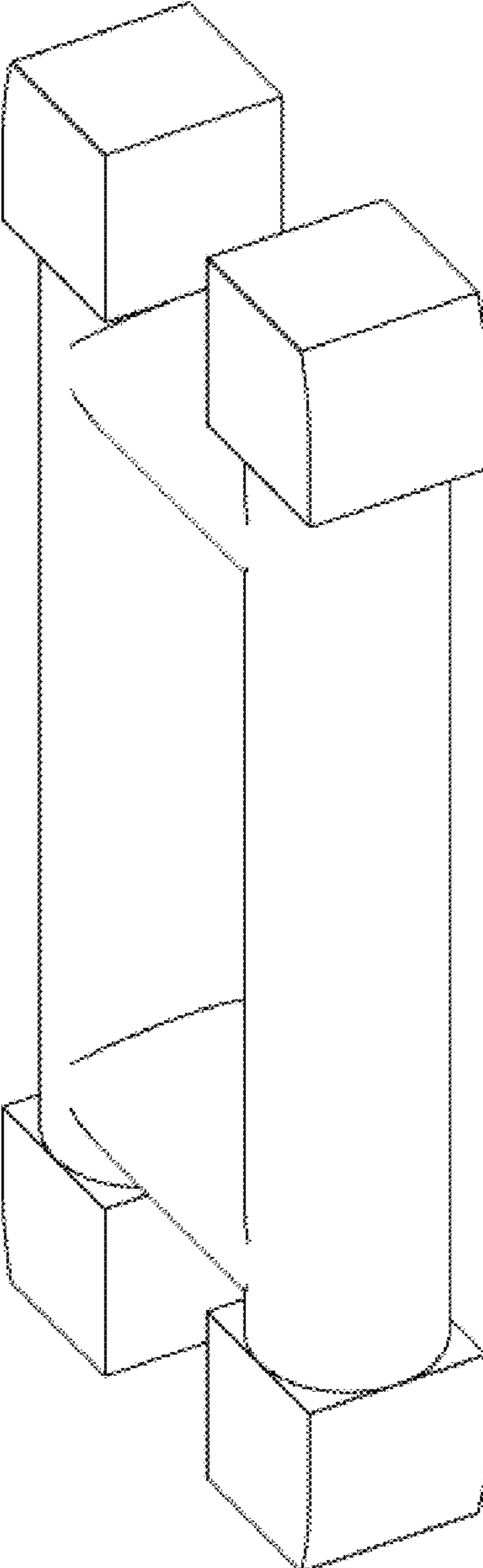


Figure 8

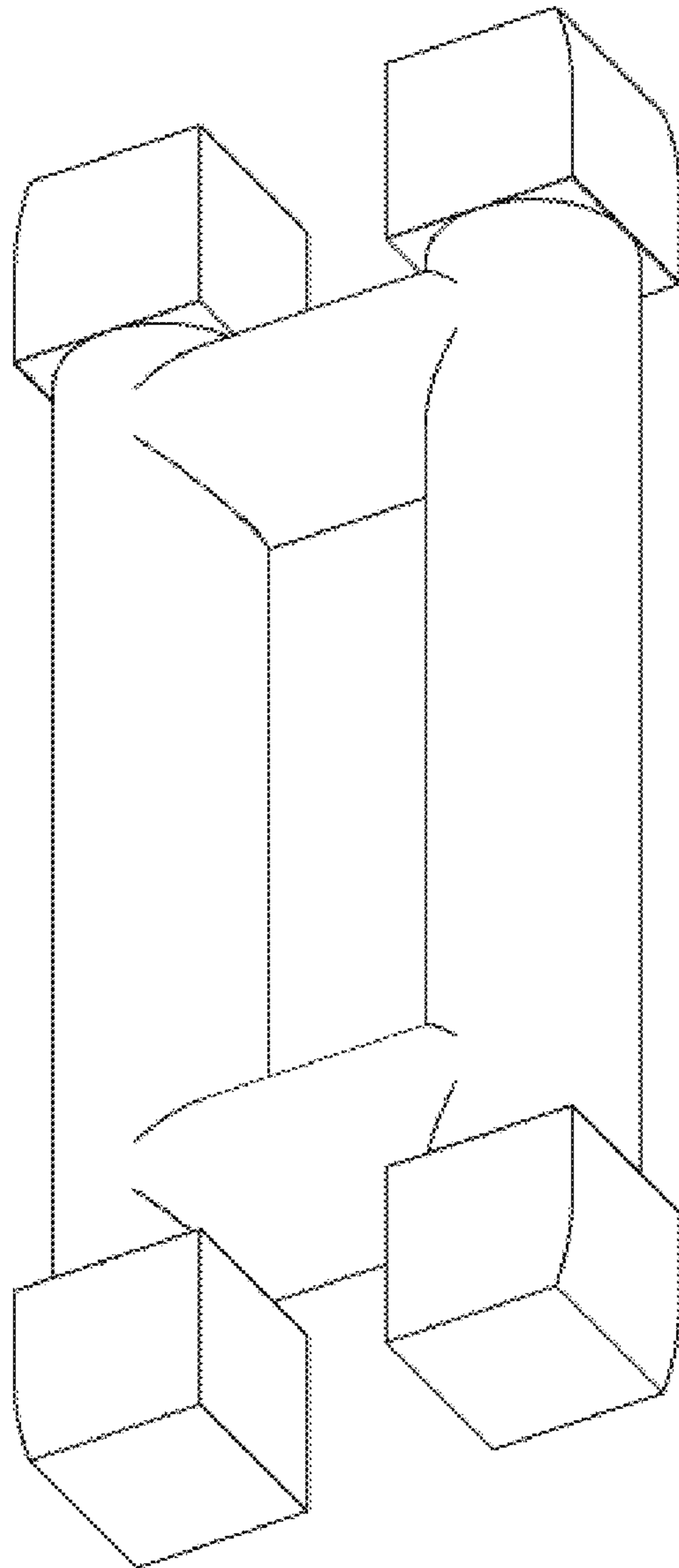


Figure 9

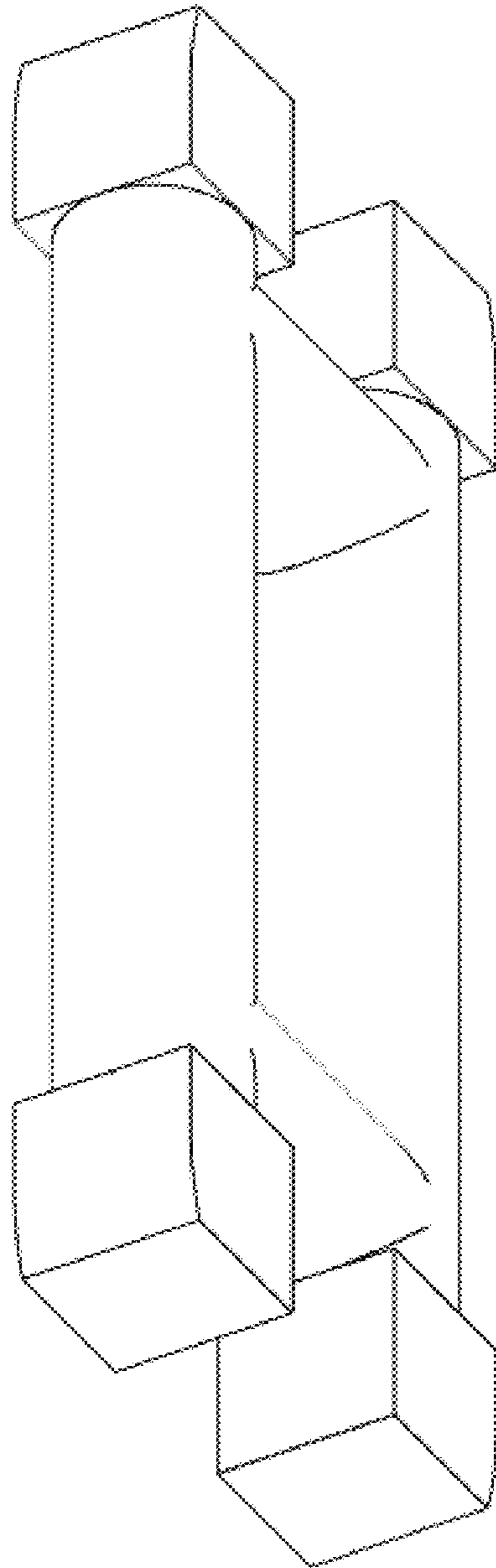


Figure 10