



US00D977580S

(12) **United States Design Patent**
Urban et al.

(10) **Patent No.:** **US D977,580 S**

(45) **Date of Patent:** **** Feb. 7, 2023**

(54) **GAMING MACHINE**

(71) Applicant: **Aristocrat Technologies, Inc.**, Las Vegas, NV (US)

(72) Inventors: **Bruce Urban**, Las Vegas, NV (US);
Ariel Turgel, San Francisco, CA (US);
Wei Gu, Daly City, CA (US); **Daniel Harden**, Palo Alto, CA (US)

(73) Assignee: **ARISTOCRAT TECHNOLOGIES, INC.**, Las Vegas, NV (US)

(**) Term: **15 Years**

(21) Appl. No.: **29/750,137**

(22) Filed: **Sep. 11, 2020**

(51) **LOC (14) Cl.** **21-03**

(52) **U.S. Cl.**
USPC **D21/369**

(58) **Field of Classification Search**
USPC D21/329, 332, 333, 365, 385, 694, 371,
D21/325, 324, 336, 369; D14/307, 308,
D14/302

See application file for complete search history.

(56) **References Cited**

U.S. PATENT DOCUMENTS

D415,124 S	10/1999	Rooyackers	
D481,078 S	10/2003	Stephan	
D554,708 S	11/2007	Gutknecht	
D560,725 S	1/2008	Johnson	
D599,859 S	9/2009	Lesley	
D603,909 S	* 11/2009	De Viveiros Ortiz D21/325
D615,598 S	* 5/2010	McComb D21/370
D677,736 S	* 3/2013	Dorn D21/370
D697,558 S	1/2014	Myers	
D727,431 S	* 4/2015	Themann D21/370
D732,520 S	* 6/2015	Themann D14/307
D848,534 S	5/2019	Calhoun	
D849,150 S	5/2019	Gallagher	

D854,621 S	7/2019	Calhoun
D858,642 S	9/2019	Legras
D865,066 S	10/2019	Ortiz De Viveiros
D865,873 S	11/2019	Lewis
D866,667 S	11/2019	Stair

(Continued)

OTHER PUBLICATIONS

Office Action dated Jun. 23, 2022 for U.S. Appl. No. 29/750,136 (pp. 1-8).

(Continued)

Primary Examiner — Khawaja Anwar

Assistant Examiner — Julice Seung Eun Oum

(74) *Attorney, Agent, or Firm* — Armstrong Teasdale LLP

(57) **CLAIM**

We claim the ornamental design for a gaming machine, as shown and described.

DESCRIPTION

FIG. 1 is a front perspective view of a gaming machine showing our new design;

FIG. 2 is a front view of the gaming machine shown in FIG. 1;

FIG. 3 is a back view of the gaming machine shown in FIG. 1;

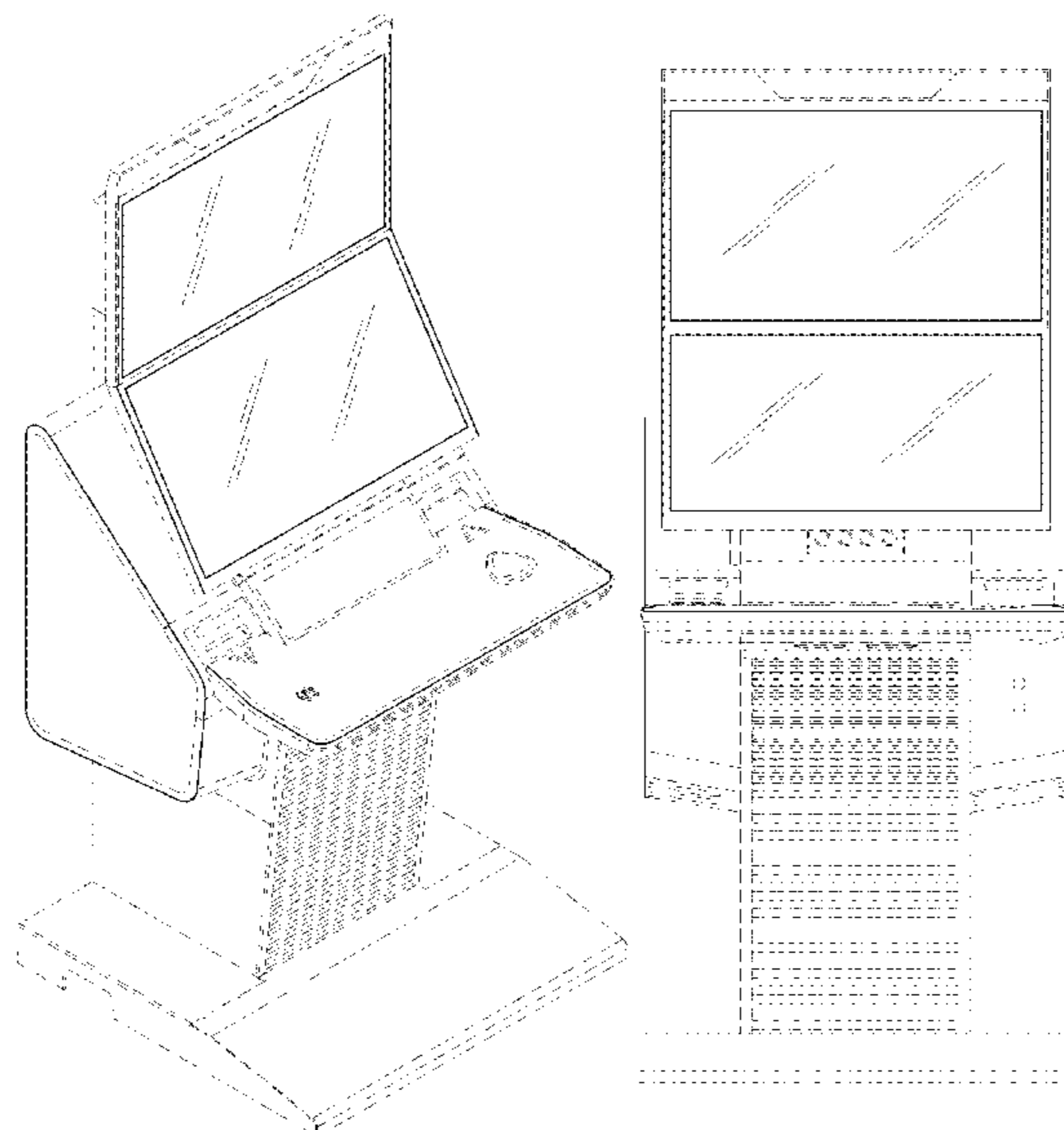
FIG. 4 is a right side view of the gaming machine shown in FIG. 1;

FIG. 5 is a left side view of the gaming machine shown in FIG. 1; and,

FIG. 6 is a top view of the gaming machine shown in FIG. 1.

In these drawings, the solid lines illustrate the claimed ornamental design, whereas the broken lines illustrate unclaimed environmental features and form no part of the claimed design.

1 Claim, 6 Drawing Sheets



(56)

References Cited

U.S. PATENT DOCUMENTS

D889,553	S	7/2020	Glenn, II	
D889,554	S	7/2020	Calhoun Lewis	
D890,850	S	7/2020	Johnson	
D893,628	S	8/2020	Thoeni	
D894,285	S	8/2020	Glenn	
D907,710	S	1/2021	Demarco	
D907,716	S	1/2021	Demarco	
D910,119	S	2/2021	Demarco	
D910,762	S	2/2021	Demarco	
D913,379	S *	3/2021	Calhoun Lewis D21/369
D943,028	S	2/2022	Ortiz de Viveiros et al.	
D946,661	S	3/2022	Thompson	
D948,621	S *	4/2022	Jadeja D21/370
D951,359	S *	5/2022	Lawson D21/370
2002/0065132	A1	5/2002	Stephan	
2007/0238511	A1 *	10/2007	Sato G07F 17/3267 463/20
2013/0303265	A1 *	11/2013	Wilkins G07F 17/3223 463/20
2014/0274292	A1 *	9/2014	Suda G07F 17/34 463/20
2015/0262449	A1	9/2015	Meyer	
2020/0051374	A1 *	2/2020	Solaja G07F 17/3223
2020/0051377	A1 *	2/2020	Montenegro G07F 17/3225
2021/0035402	A1 *	2/2021	Rye G07F 17/3216
2021/0110642	A1	4/2021	Ocampo	
2021/0366236	A1	11/2021	Soong	

OTHER PUBLICATIONS

Office Action dated Jun. 23, 2022 for U.S. Appl. No. 29/750,196 (pp. 1-8).

* cited by examiner

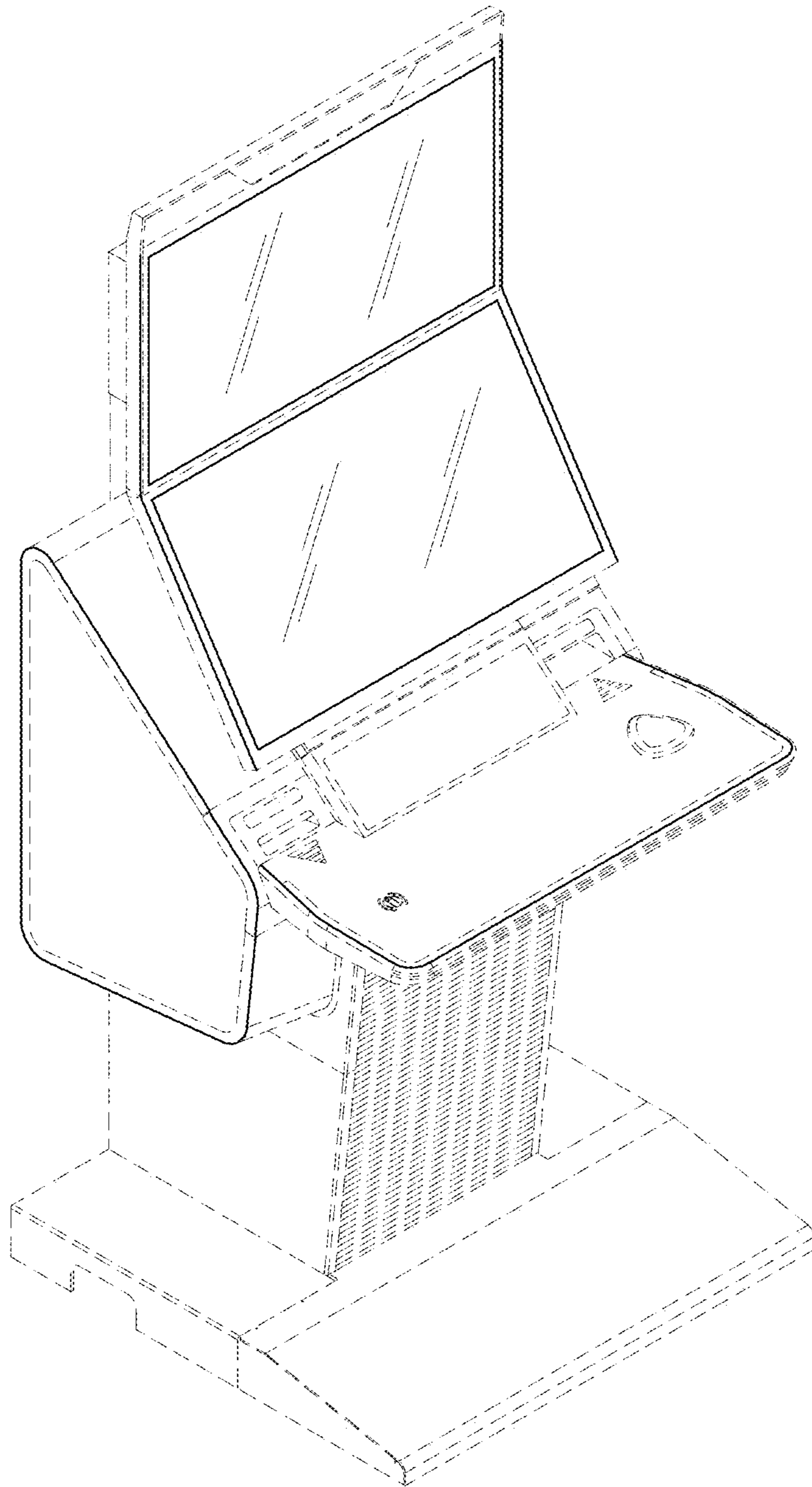


FIG. 1

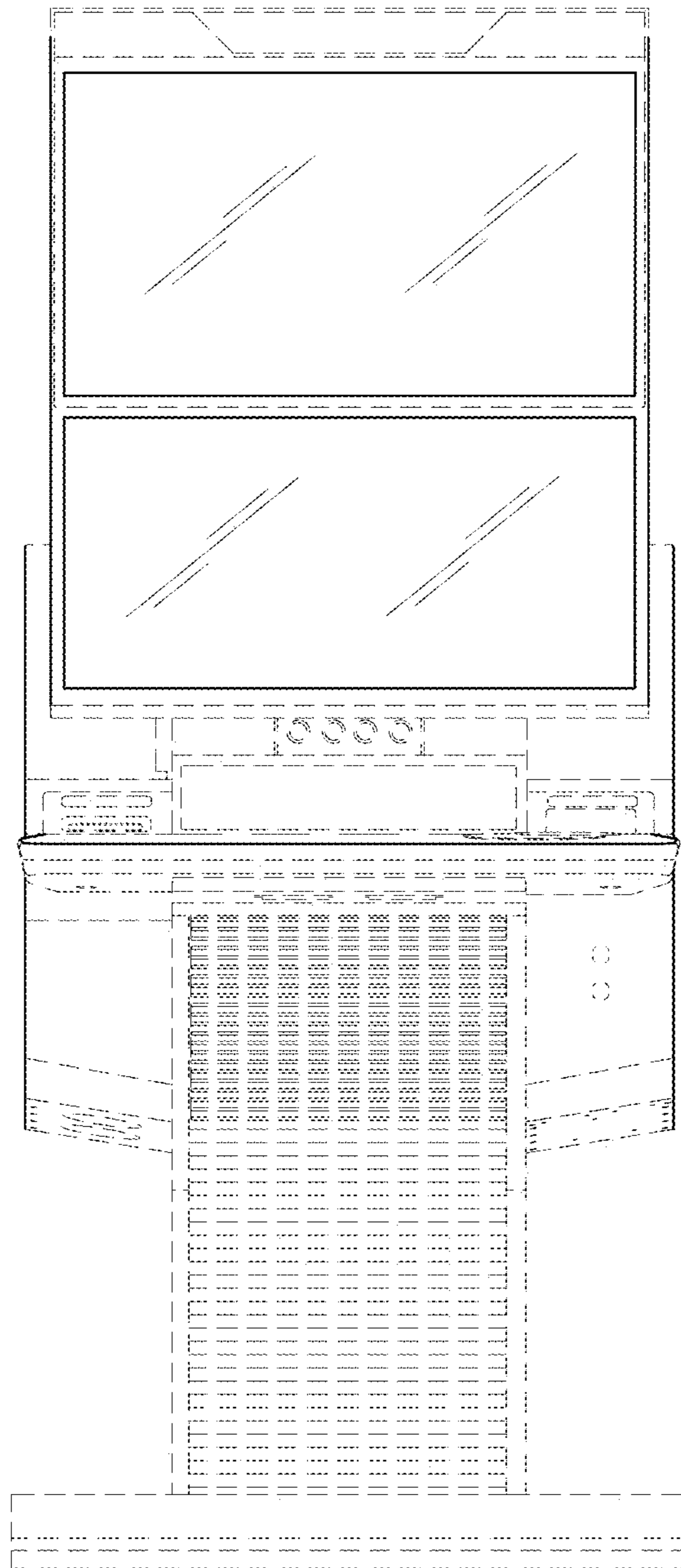


FIG. 2

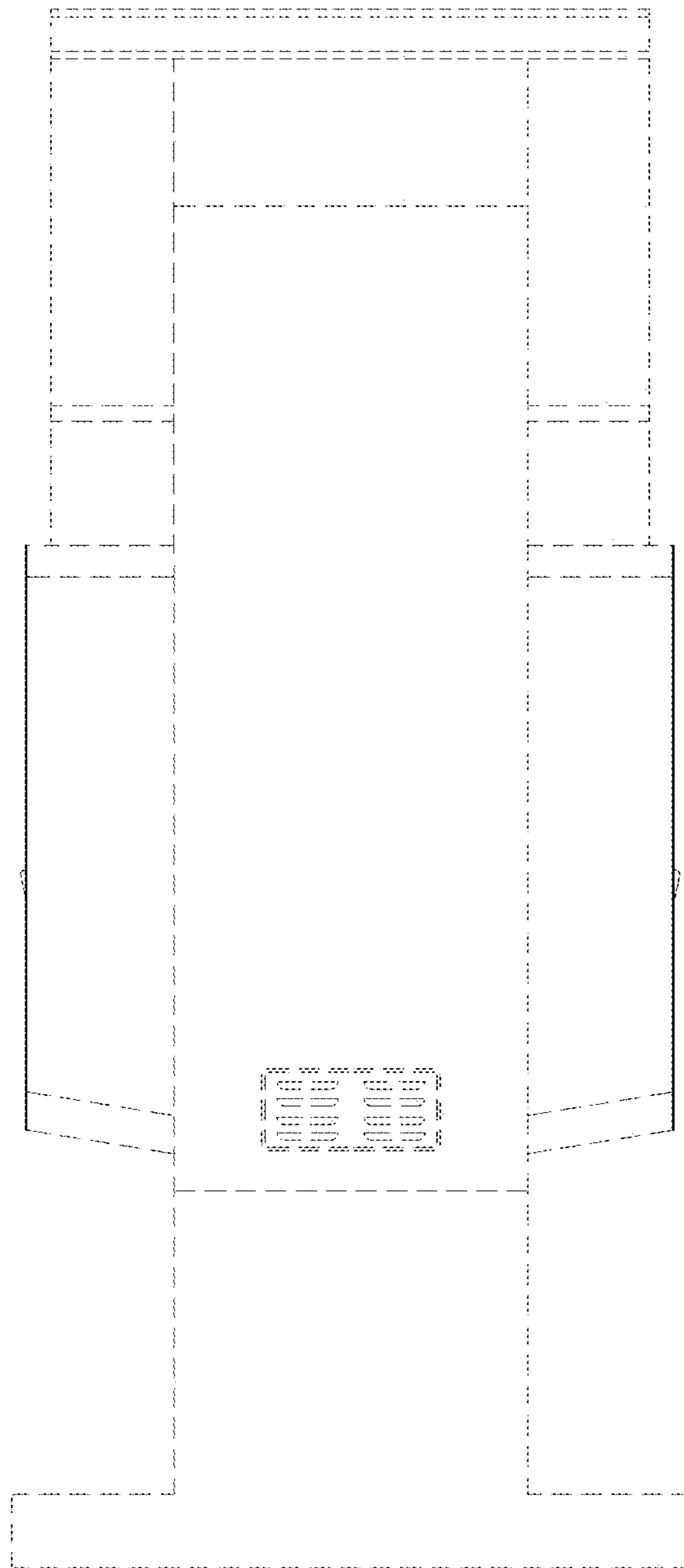


FIG. 3

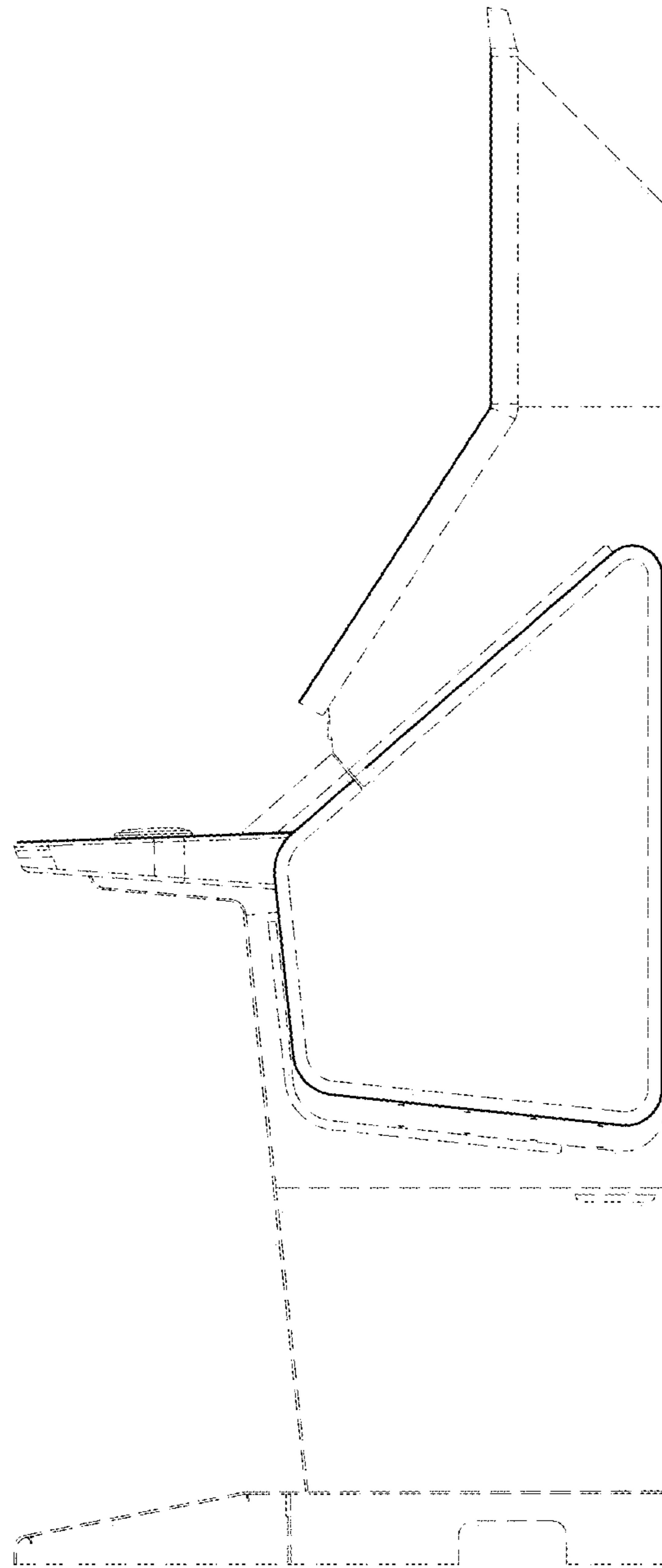


FIG. 4

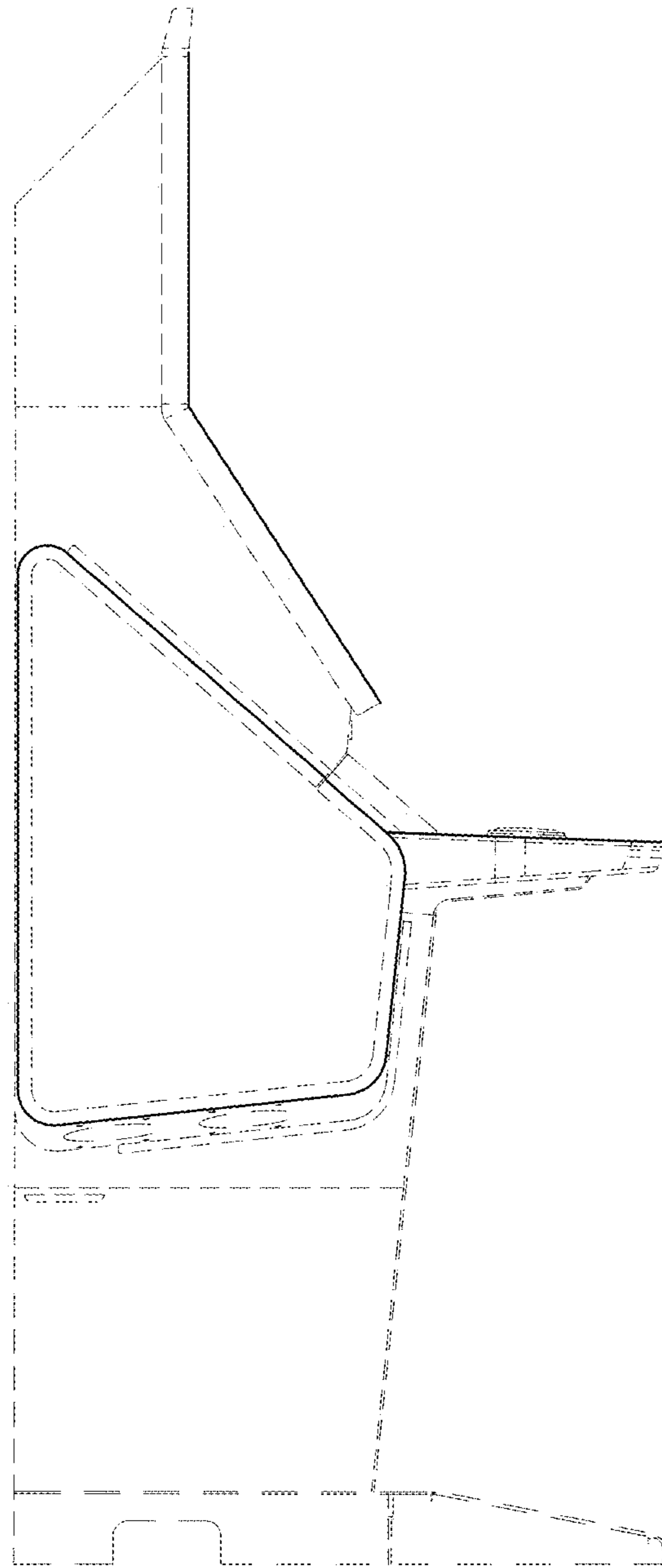


FIG. 5

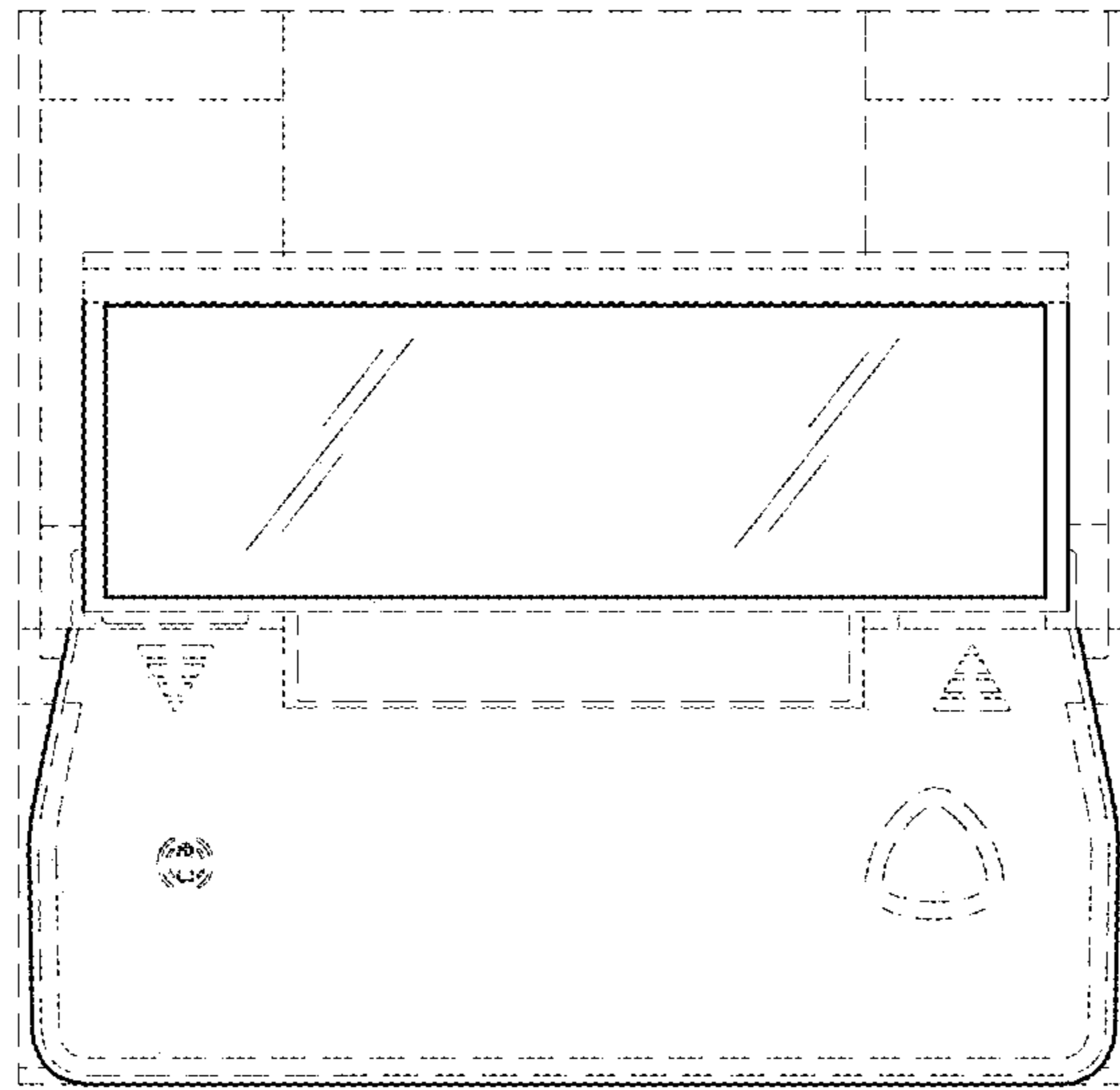


FIG. 6