



US00D977578S

(12) **United States Design Patent** (10) **Patent No.:** **US D977,578 S**
Schoonmaker et al. (45) **Date of Patent:** **** *Feb. 7, 2023**

(54) **BANK OF GAMING MACHINES INCLUDING LIGHT BAR**

(71) Applicant: **Aristocrat Technologies, Inc.**, Las Vegas, NV (US)

(72) Inventors: **Rena Schoonmaker**, Las Vegas, NV (US); **Timothy Seckel**, Streamwood, IL (US); **James McNierney**, Las Vegas, NV (US); **Bruce Urban**, Las Vegas, NV (US)

(73) Assignee: **ARISTOCRAT TECHNOLOGIES, INC.**, Las Vegas, NV (US)

(*) Notice: This patent is subject to a terminal disclaimer.

(**) Term: **15 Years**

(21) Appl. No.: **29/735,035**

(22) Filed: **May 18, 2020**

(51) **LOC (14) Cl.** **21-01**

(52) **U.S. Cl.**
USPC **D21/369**

(58) **Field of Classification Search**
USPC D21/325, 329, 369, 371, 370, 385, 394; D25/48.7; D14/129, 126, 127, 128, D14/138 G, 172, 248, 307, 325, 341, 371, D14/374, 375, 401, 432, 439, 450; D6/657, 662, 661, 663, 664.1, 667, 668, D6/669, 671, 671.1, 671.2, 672, 673
CPC G07F 17/3216; G07F 17/3211; G07F 17/3267; G07F 17/3213; G07F 17/34; G07F 17/3244

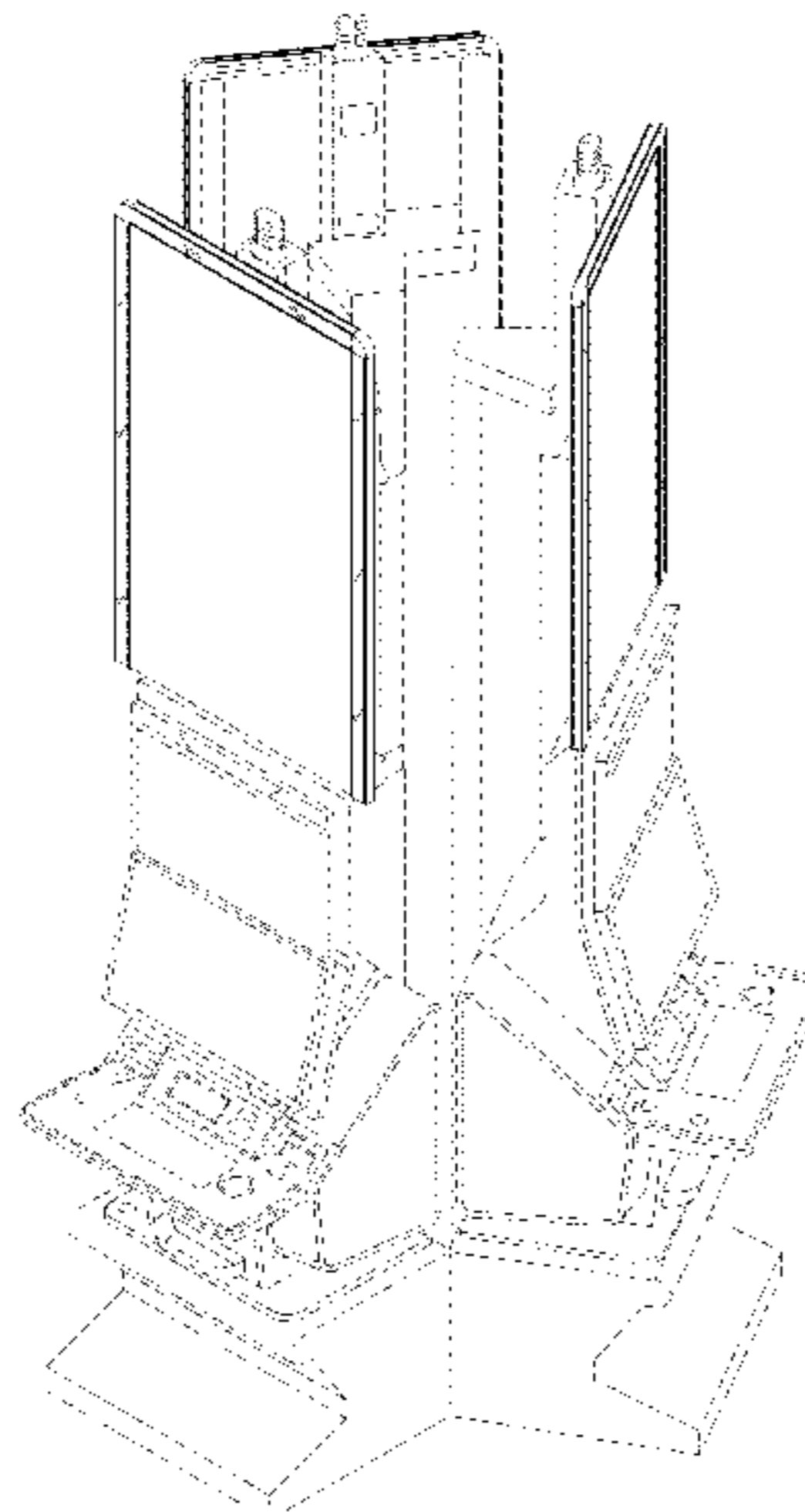
See application file for complete search history.

| | | | |
|------------|------|---------|---------------------------------|
| 7,029,396 | B2 | 4/2006 | Jaffe |
| D623,657 | S | 9/2010 | Fitzmaurice |
| D626,560 | S | 11/2010 | Fitzmaurice |
| D627,366 | S | 11/2010 | Martiros |
| D629,420 | S | 12/2010 | O'Donnell |
| 7,988,549 | B2 | 8/2011 | Little |
| D646,695 | S | 10/2011 | Hoggarth |
| D653,261 | S | 1/2012 | Ikenoue |
| 8,123,612 | B2 | 2/2012 | Yoshizawa |
| 8,328,619 | B2 | 12/2012 | Nagano |
| D678,323 | S | 3/2013 | Yoshida |
| D678,903 | S | 3/2013 | Yoshida |
| 8,388,435 | B2 | 3/2013 | Anderson |
| 8,475,261 | B2 | 7/2013 | Little |
| D704,735 | S | 5/2014 | Hollobaugh |
| D710,882 | S | 8/2014 | Francisco |
| D715,323 | S | 10/2014 | Umezawa |
| D720,771 | S | 1/2015 | Lacour |
| D728,621 | S | 5/2015 | Jou |
| D732,072 | S | 6/2015 | Ying |
| D737,320 | S | 8/2015 | Mccormick |
| 9,105,147 | B2 | 8/2015 | Nagano |
| D741,368 | S | 10/2015 | Supino |
| D748,123 | S | 1/2016 | Schwengler |
| 9,245,418 | B2 | 1/2016 | Mitchell |
| D751,098 | S | 3/2016 | Lim |
| D760,239 | S | 6/2016 | Hirai |
| D761,804 | S | 7/2016 | Hirai |
| D762,241 | S | 7/2016 | Loosli |
| D769,260 | S | 10/2016 | Kim |
| D769,325 | S | 10/2016 | Casalegno |
| D776,157 | S | 1/2017 | Lajoie |
| D776,161 | S | 1/2017 | Tursi |
| D784,399 | S | 4/2017 | Herrera |
| D786,928 | S | 5/2017 | Lee |
| 9,679,435 | B2 * | 6/2017 | Schrementi G07F 17/3213 |
| D792,454 | S | 7/2017 | Baumez |
| D794,672 | S | 8/2017 | Hirai |
| D795,884 | S | 8/2017 | Kim |
| D818,048 | S * | 5/2018 | Calhoun D21/369 |
| D819,694 | S | 6/2018 | Kim |
| D819,747 | S * | 6/2018 | Castro D21/369 |
| D822,117 | S * | 7/2018 | Costa D21/325 |
| D829,222 | S | 9/2018 | Choi |
| 10,181,236 | B2 * | 1/2019 | Goldstein G07F 17/3216 |
| D842,337 | S | 3/2019 | Pudipeddi |
| D843,467 | S * | 3/2019 | Johnson D21/369 |
| D843,473 | S * | 3/2019 | Zedell, Jr. D21/369 |
| D844,656 | S | 4/2019 | Toth |
| D868,165 | S * | 11/2019 | Ortiz De Viveiros D21/369 |
| D868,714 | S | 12/2019 | Hodgson |
| D871,419 | S | 12/2019 | Hu |
| D890,265 | S * | 7/2020 | Johnson D21/369 |

(56) **References Cited**

U.S. PATENT DOCUMENTS

D213,676 S * 4/1969 Biro D25/48.7
D398,597 S 9/1998 Morioka
D498,267 S * 11/2004 Crouch D21/370



| | | | | |
|--------------|-----|---------|-------------------|--------------|
| D890,790 | S | 7/2020 | Marks | |
| D890,849 | S | 7/2020 | Johnson | |
| D902,319 | S * | 11/2020 | Hohman | D21/369 |
| D905,730 | S | 12/2020 | Newsom | |
| D908,712 | S | 1/2021 | Fischbach | |
| D909,399 | S | 2/2021 | La Guardia | |
| D911,451 | S * | 2/2021 | Ortiz De Viveiros | D21/369 |
| D913,379 | S * | 3/2021 | Calhoun Lewis | D21/369 |
| D918,303 | S * | 5/2021 | DeMarco | D21/369 |
| D934,347 | S * | 10/2021 | Ocampo | D21/370 |
| D934,955 | S * | 11/2021 | van Linden | D21/369 |
| D937,354 | S * | 11/2021 | Glenn, II | D21/369 |
| D937,355 | S * | 11/2021 | Olive | D21/369 |
| D943,027 | S * | 2/2022 | Ortiz De Viveiros | D21/369 |
| D943,028 | S * | 2/2022 | Ortiz De Viveiros | D21/369 |
| D943,029 | S * | 2/2022 | Francisco | D21/369 |
| D944,330 | S * | 2/2022 | Ortiz De Viveiros | D21/369 |
| D946,661 | S * | 3/2022 | Thompson | D21/369 |
| D954,844 | S * | 6/2022 | Rosander | D21/369 |
| D958,888 | S * | 7/2022 | DeMarco | D21/325 |
| D959,562 | S * | 8/2022 | Edwards | D21/370 |
| 2002/0119814 | A1 | 8/2002 | Fong | |
| 2002/0183105 | A1 | 12/2002 | Cannon | |
| 2004/0048646 | A1 | 3/2004 | Visocnik | |
| 2004/0204227 | A1 | 10/2004 | Johnson | |
| 2005/0043083 | A1 | 2/2005 | Inoue | |
| 2005/0059475 | A1 | 3/2005 | Breen | |
| 2005/0215311 | A1 | 9/2005 | Hornik | |
| 2005/0282615 | A1 | 12/2005 | Englman | |
| 2005/0288094 | A1 | 12/2005 | Marks | |
| 2007/0287529 | A1 | 12/2007 | Kojima | |
| 2010/0210343 | A1 | 8/2010 | Englman | |
| 2011/0207530 | A1 | 8/2011 | Chudek | |
| 2013/0116809 | A1 | 5/2013 | Carpenter | |
| 2014/0094303 | A1 | 4/2014 | Wabschall | |
| 2014/0256409 | A1 | 9/2014 | Wood | |
| 2015/0099568 | A1 | 4/2015 | Elias | |
| 2016/0092065 | A1 | 3/2016 | Hilbert | |
| 2016/0093145 | A1 | 3/2016 | Kitamura | |
| 2016/0140795 | A1 | 5/2016 | Fong | |
| 2017/0061743 | A1 | 3/2017 | Itagaki | |
| 2017/0092066 | A1 | 3/2017 | Watkins | |
| 2017/0221313 | A1 | 8/2017 | Basallo | |
| 2018/0040191 | A1 | 2/2018 | Tran | |
| 2019/0096170 | A1* | 3/2019 | Lewis | G07F 17/3211 |
| 2020/0327779 | A1 | 10/2020 | Sanborn | |

FOREIGN PATENT DOCUMENTS

| | | | |
|----|----------------|---|--------|
| EM | 003180462-0004 | * | 6/2016 |
| EM | 004124030-0002 | * | 7/2017 |
| EM | 3085382430003 | | 5/2021 |

OTHER PUBLICATIONS

MCFM-55-43inch Vertical Type Gaming Machine, first available Jul. 1, 2020, syweb.com [online], site visited Nov. 15, 2021], Available from internet URL: <https://bit.ly/3oxvpLu> (Year: 2020).*

MCFM-55-43inch Vertical Type Gaming Machine, first available Jul. 1, 2020, syweb.com [online], site visited [Feb. 15, 2021], Available from internet URL: <https://bit.ly/3oxvpLu> (Year: 2020).*

“Huge new casino and resort opens near Toronto”, Aug. 5, 2021, Blogto, site visited Aug. 1, 2022: <https://www.blogto.com/city/2021/08/huge-new-casino-and-resort-opens-near-toronto/> (Year: 2021).*

“Slot machines” Aug. 11, 2020, Encore Boston Harbor, site visited Aug. 1, 2022: <https://www.encorebostonharbor.com/casino/featured-slot-games> (Year: 2020).*

“How Do I Pick a Good Slot Machine” Mar. 17, 2020, BestUsCasinos, site visited Aug. 2, 2022: <https://www.bestuscasinos.org/blog/how-do-i-pick-good-slot-machine/> (Year: 2020).*

“Winning big bucks”, Aug. 4, 2021, Youtube, site visited Nov. 1, 2022: <https://www.youtube.com/watch?v=dQeaTYnkCt0> (Year: 2021).*

“Discover the Sumptuous Grand Casino Brussels VIAGE” Nov. 14, 2017, Youtube, site visited Nov. 1, 2022: <https://www.youtube.com/watch?v=LNr5WDi0-rs> (Year: 2017).*

Office Action dated Oct. 22, 2020 for U.S. Appl. No. 29/686,998 (pp. 1-8).

Notice of Allowance dated Nov. 4, 2020 for U.S. Appl. No. 16/379,724 (pp. 1-9).

Notice of Allowance dated Dec. 16, 2020 for U.S. Appl. No. 16/379,724 (pp. 1-2).

Notice of Allowance dated Jan. 25, 2021 for U.S. Appl. No. 29/686,998 (pp. 1-7).

Office Action dated Feb. 23, 2021 for U.S. Appl. No. 29/686,999 (pp. 1-6).

GiVe. “Remerge’s CSS loader+ CodePen.” Dribbble, published Nov. 24, 2014 (Retrieved from the Internet Feb. 17, 2021). Internet URL: <<https://dribbble.com/shots/1821741-Remerge-s-CSS-loader-CodePen>> (Year: 2014).

Torsani, Derek. “Animated Buffer Logo.” Dribbble, published Mar. 31, 2015 (Retrieved from the Internet Feb. 17, 2021). Internet URL: <<https://dribbble.com/shots/1998685-Animated-Buffer-Logo>> (Year: 2015).

Corrected Notice of Allowability dated Mar. 19, 2021 for U.S. Appl. No. 29/686,998 (pp. 1-2).

Notice of Allowance dated Apr. 28, 2021 for U.S. Appl. No. 29/686,999 (pp. 1-6).

“Huge Win! Queen of the Nile Deluxe Slot—Max Bet Bonus!,” screenshots of YouTube video, download date Apr. 30, 2019, published on Sep. 5, 2018, 7 pages.

Office Action dated Jul. 6, 2020 for U.S. Appl. No. 16/379,724 (pp. 1-10).

Office Action (Non-Final Rejection) dated Sep. 27, 2021 for U.S. Appl. No. 17/079,400 (pp. 1-11).

Office Action (Non-Final Rejection) dated Sep. 23, 2021 for U.S. Appl. No. 17/248,251 (pp. 1-12).

Infinity V55, first available Apr. 23, 2018, youtube.com [online], site visited Nov. 16, 2021], Available from internet URL: <https://www.youtube.com/watch?v=ILy-9J6YkPo> (Year: 2018).

Office Action (Final Rejection) dated Jan. 28, 2022 for U.S. Appl. No. 17/079,400 (pp. 1-10).

Office Action (Final Rejection) dated Feb. 24, 2022 for U.S. Appl. No. 17/248,251 (pp. 1-6).

Office Action dated Mar. 23, 2022 for U.S. Appl. No. 29/735,030 (pp. 1-10).

Office Action dated Mar. 17, 2022 for U.S. Appl. No. 29/735,056 (pp. 1-12).

Office Action dated Mar. 23, 2022 for U.S. Appl. No. 29/735,058 (pp. 1-11).

Office Action dated Mar. 17, 2022 for U.S. Appl. No. 29/735,063 (pp. 1-12).

Office Action dated Mar. 23, 2022 for U.S. Appl. No. 29/735,065 (pp. 1-10).

Office Action dated Mar. 17, 2022 for U.S. Appl. No. 29/735,067 (pp. 1-13).

Office Action dated Mar. 17, 2022 for U.S. Appl. No. 29/735,069 (pp. 1-12).

Office Action (Notice of Allowance and Fees Due (PTOL-85)) dated Apr. 6, 2022 for U.S. Appl. No. 17/248,251 (pp. 1-8).

Office Action (Notice of Allowance and Fees Due (PTOL-85)) dated May 23, 2022 for U.S. Appl. No. 17/248,251 (pp. 1-2).

* cited by examiner

Primary Examiner — Jack Reickel
 Assistant Examiner — Salamah Jordan
 (74) Attorney, Agent, or Firm — Armstrong Teasdale LLP

(57) CLAIM

We claim the ornamental design for a bank of gaming machines including light bar, as shown and described.

DESCRIPTION

The present application is related to U.S. patent application Ser. No. 29/735,056, filed May 18, 2020, entitled “Bank of

Gaming Machines Including Light Bar,” U.S. patent application Ser. No. 29/735,058, filed May 18, 2020, entitled “Bank of Gaming Machines Including Light Bar,” U.S. patent application Ser. No. 29/735,063, filed May 18, 2020, entitled “Bank of Gaming Machines Including Light Bar,” U.S. patent application Ser. No. 29/735,065, filed May 18, 2020, entitled “Bank of Gaming Machines Including Light Bar,” U.S. patent application Ser. No. 29/735,067, filed May 18, 2020, entitled “Bank of Gaming Machines Including Light Bar,” U.S. patent application Ser. No. 29/735,030, filed May 18, 2020, entitled “Bank of Gaming Machines Including Light Bar,” and U.S. patent application Ser. No. 29/735,069, filed May 18, 2020, entitled “Gaming Machine Including Light Bar,” the disclosures of which are hereby incorporated by reference in their entireties.

FIG. 1 is a perspective view of a bank of gaming machines including light bar showing the new design;

FIG. 2 is a front view thereof;

FIG. 3 is a rear view thereof;

FIG. 4 is a right side view thereof;

FIG. 5 is a left side view thereof;

FIG. 6 is a top view thereof;

FIG. 7 is a bottom view thereof; and,

FIG. 8 is another front view thereof, illustrating the light bar in an illuminated state.

In these drawings, the solid lines illustrate the claimed ornamental design. The broken lines in the figures illustrate portions of the bank of gaming machines including light bar that form no part of the claimed design. The radiating lines emanating from the light bar in FIG. 8 represent illumination.

1 Claim, 7 Drawing Sheets

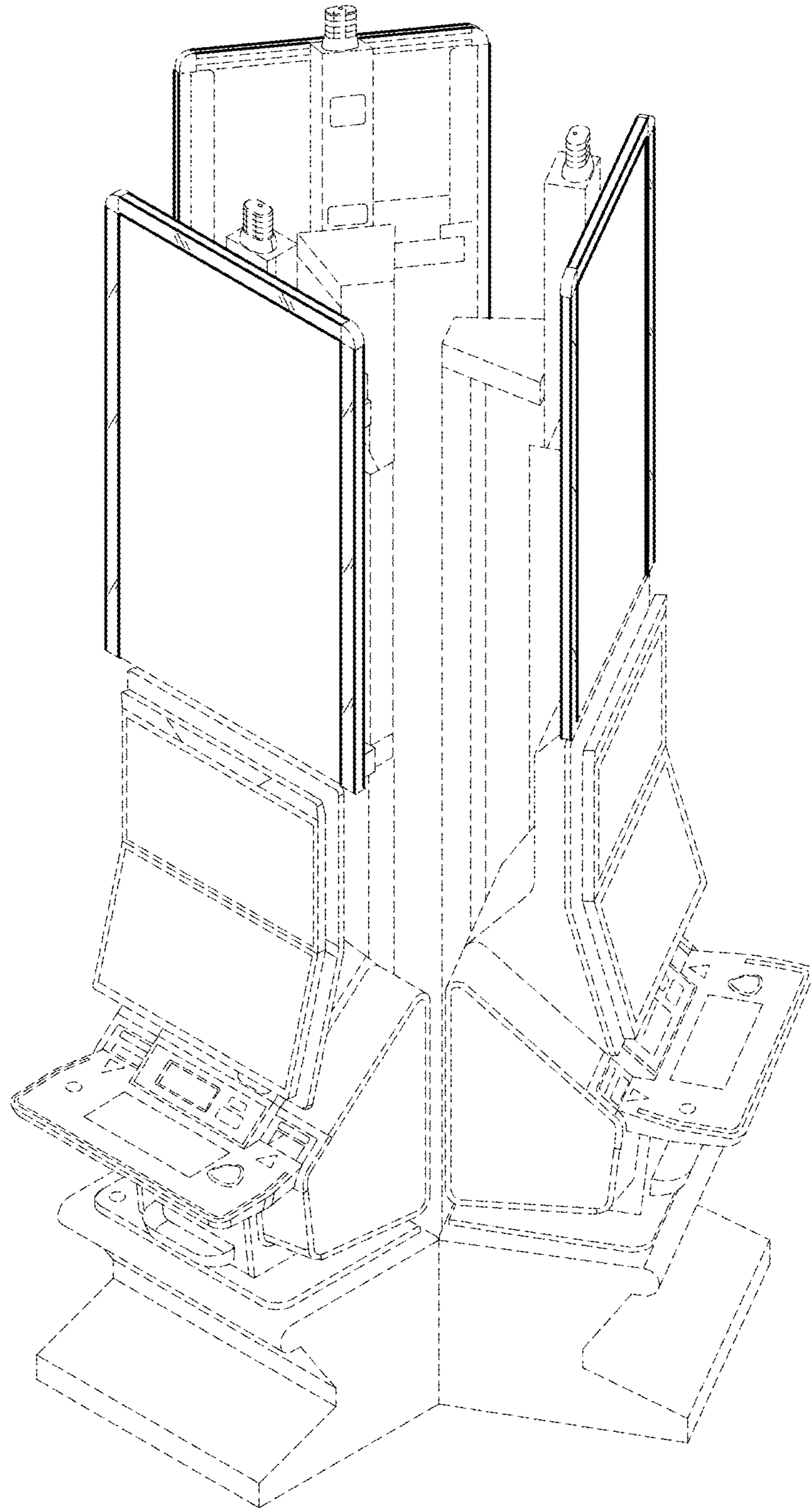


FIG. 1

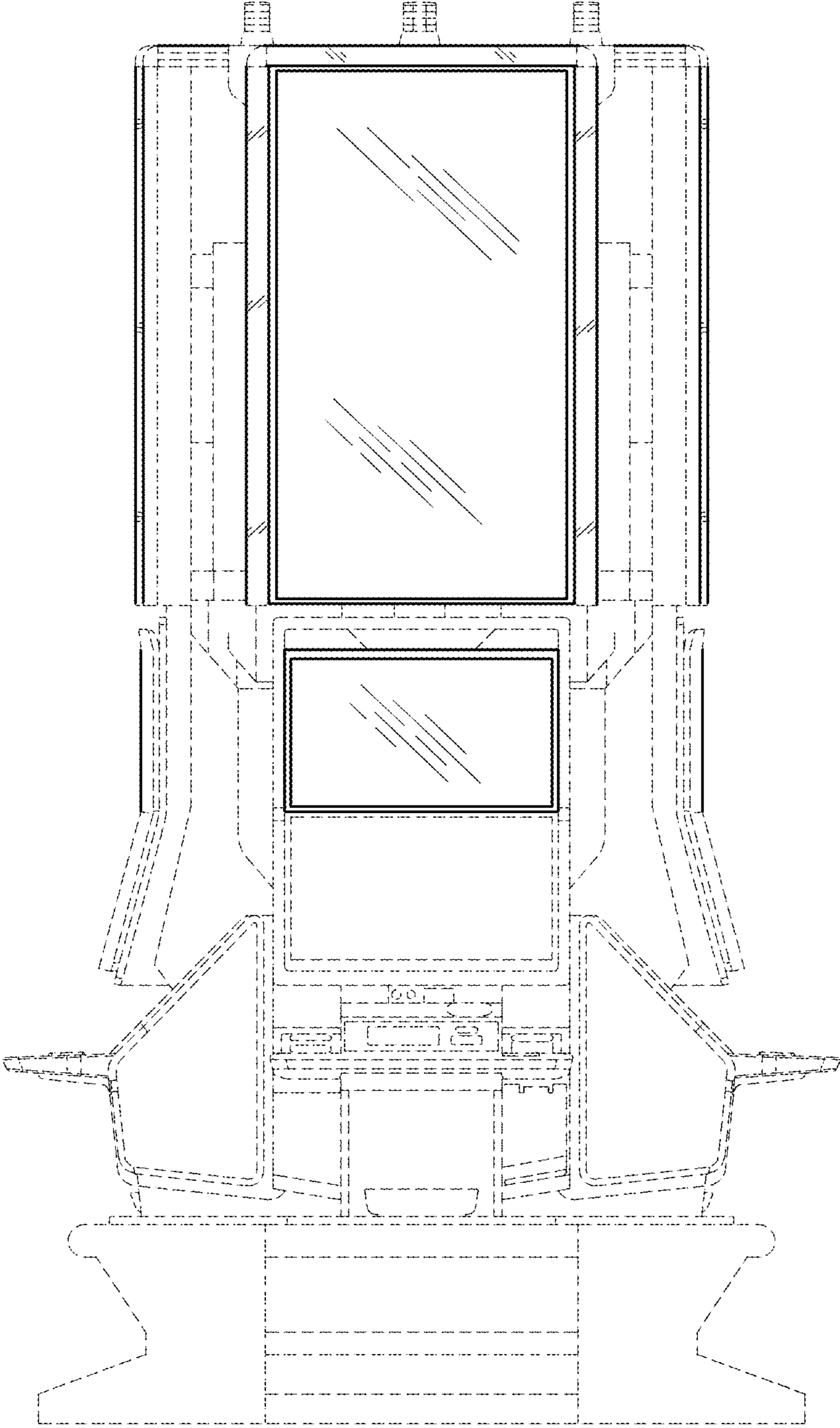


FIG. 2

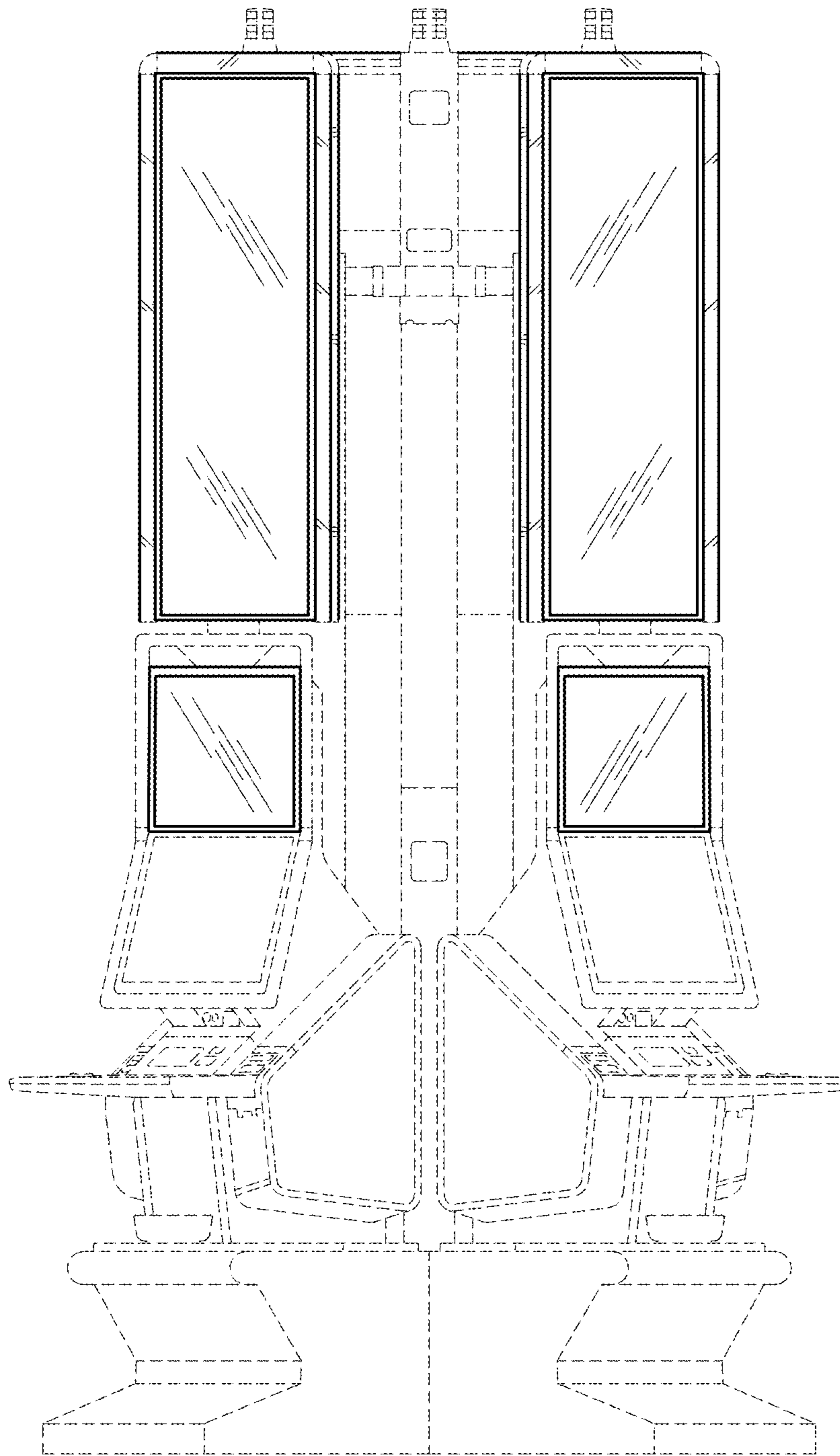


FIG. 3

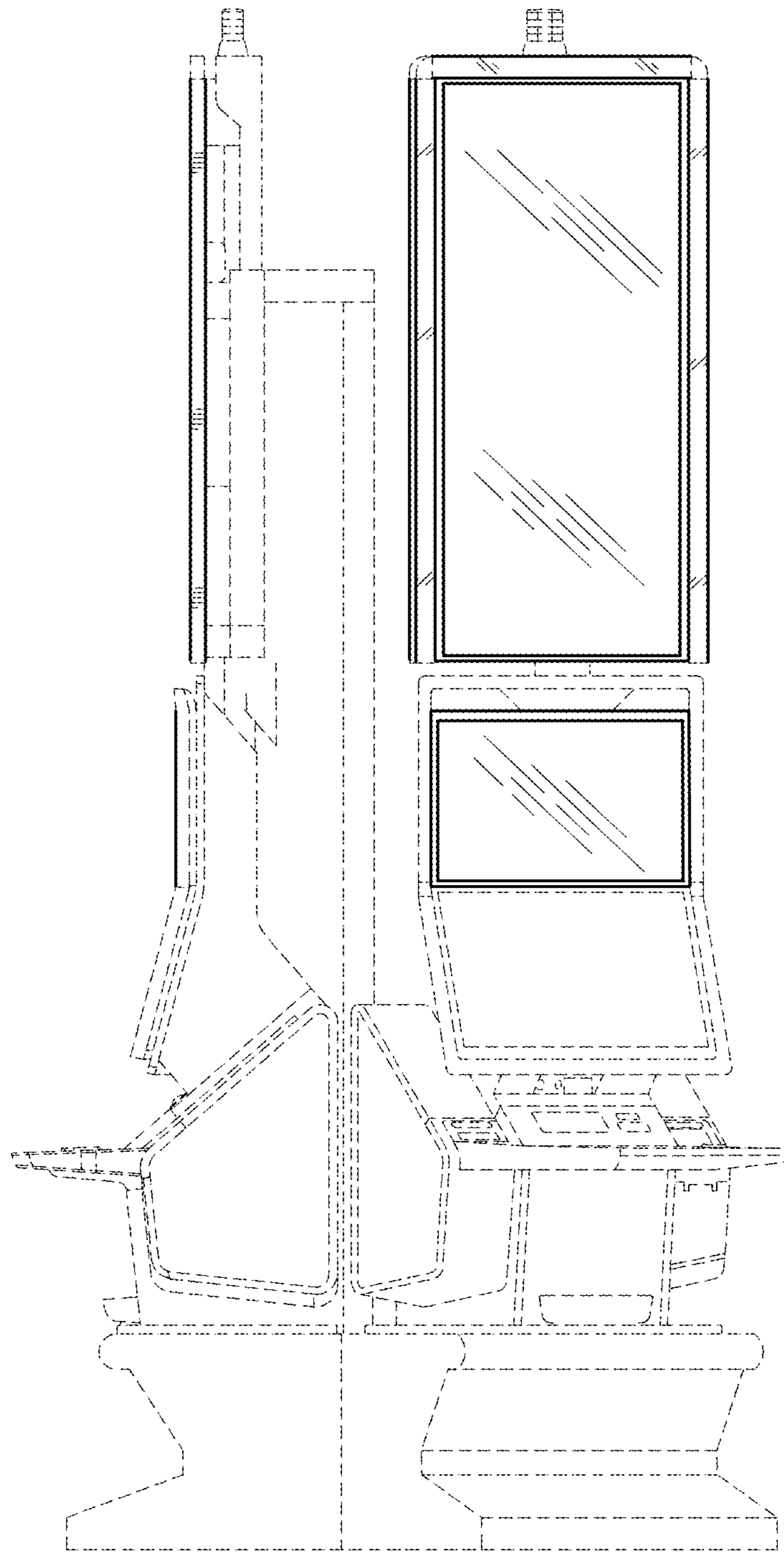


FIG. 4

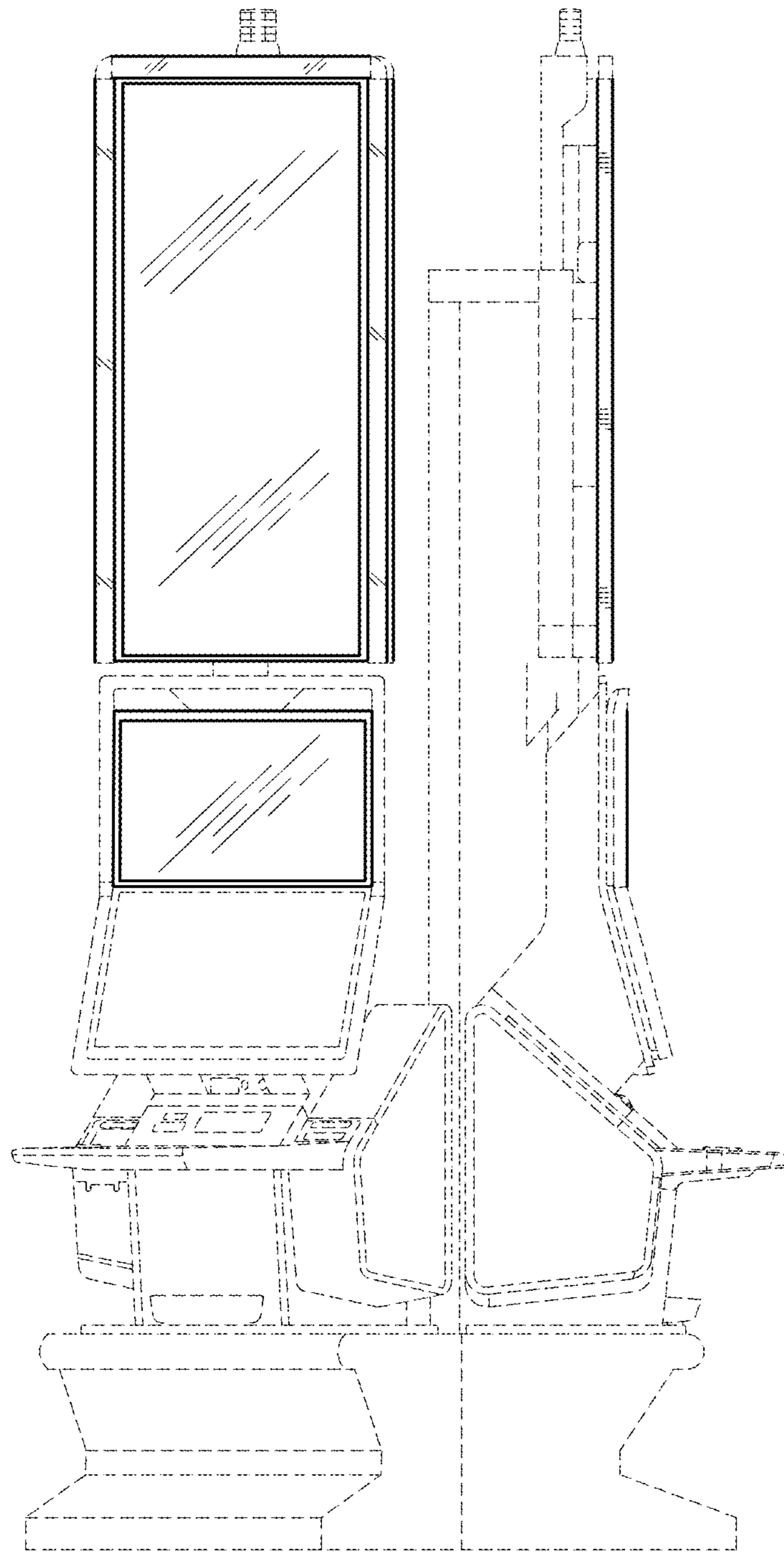


FIG. 5

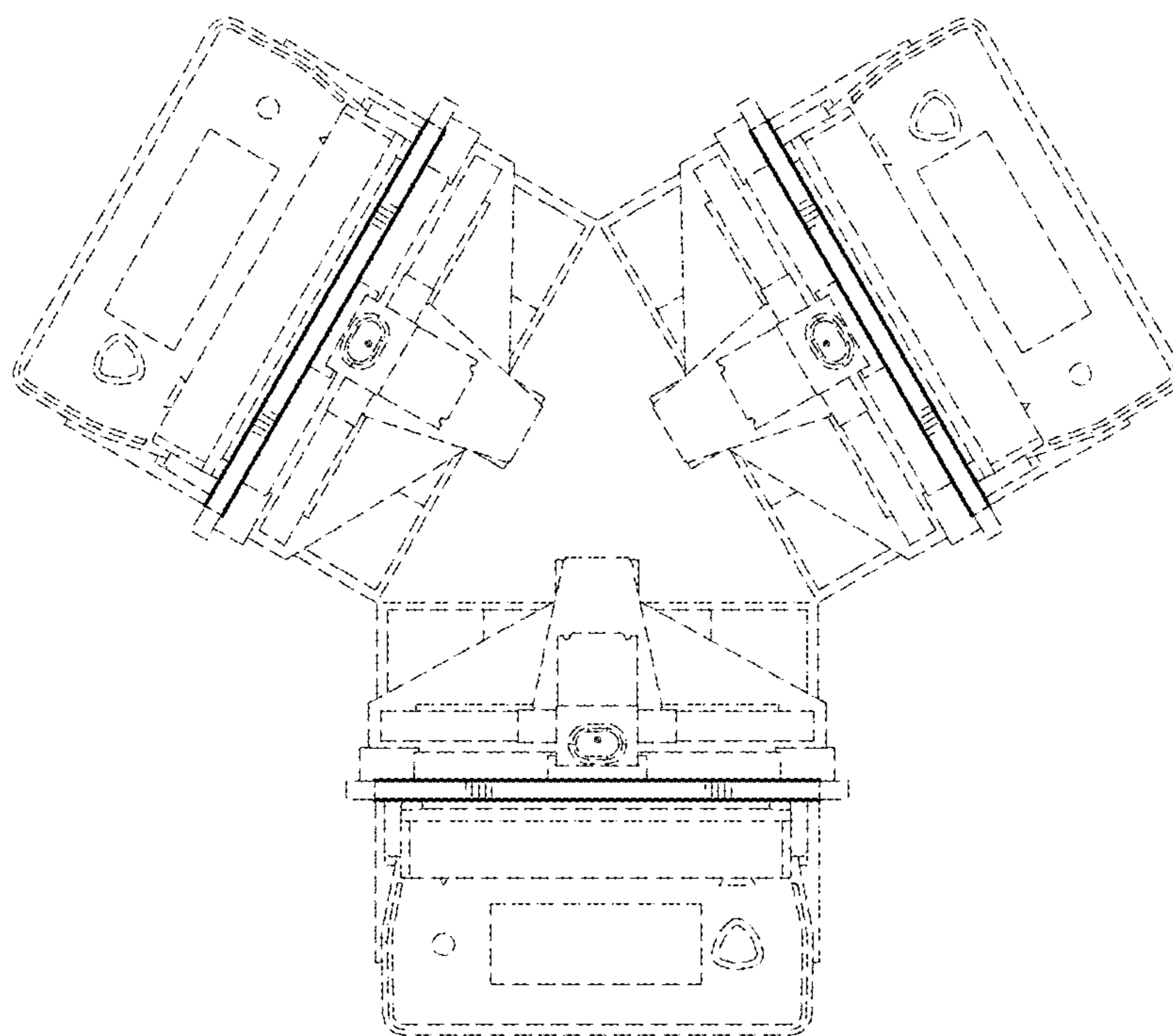


FIG. 6

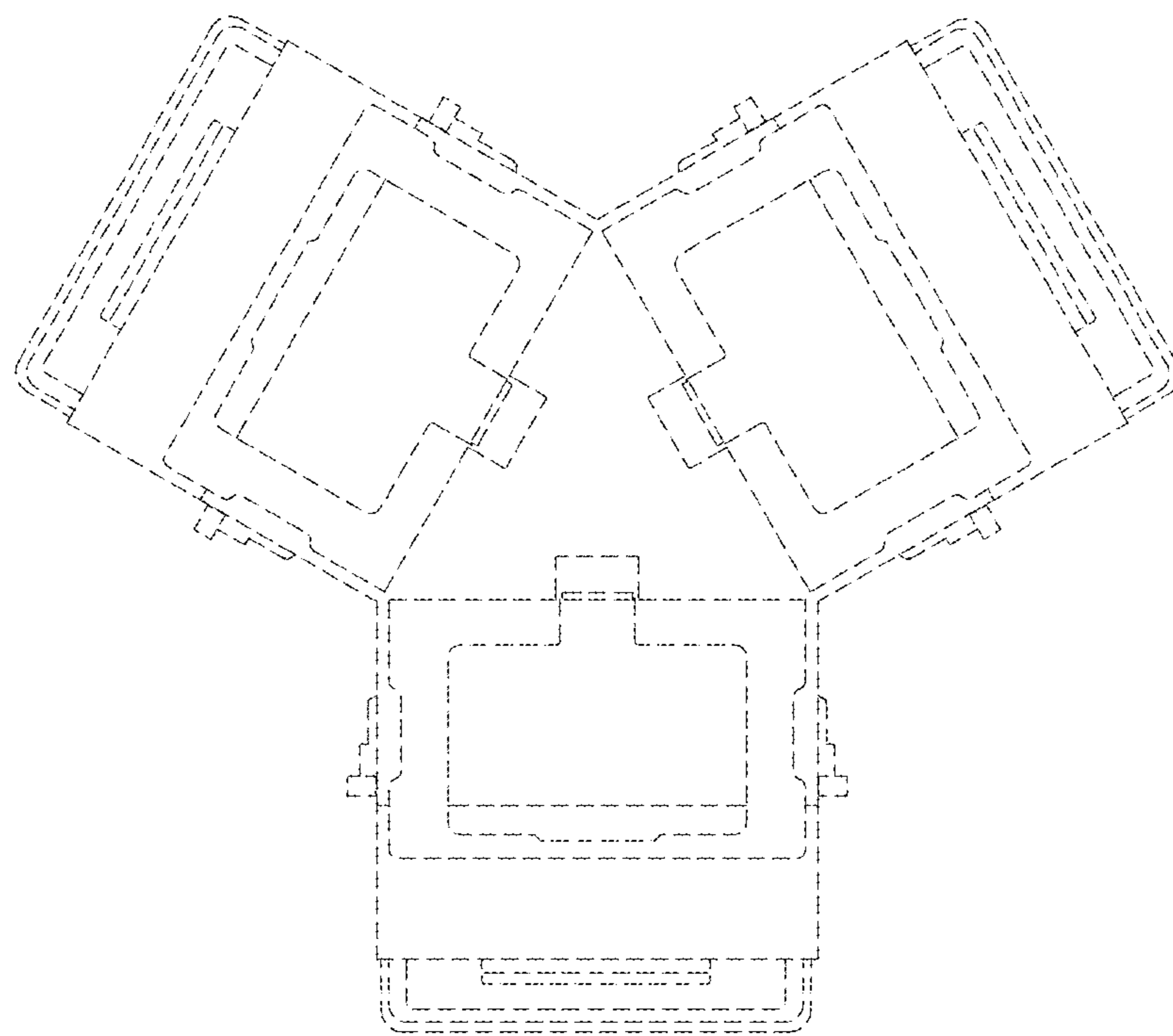


FIG. 7

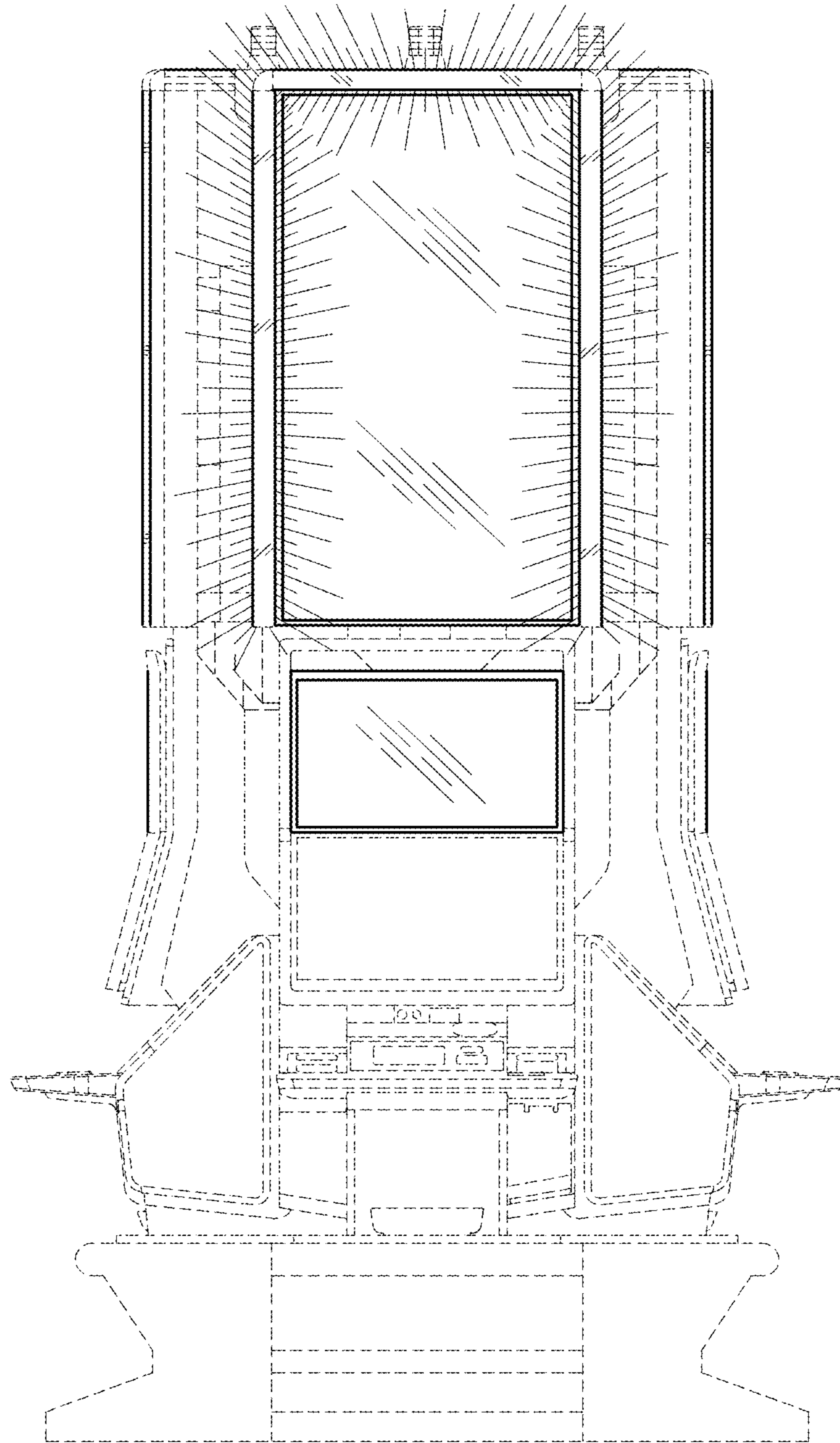


FIG. 8