

US00D977577S

(12) **United States Design Patent** (10) **Patent No.:** **US D977,577 S**  
**Vang** (45) **Date of Patent:** **\*\* Feb. 7, 2023**

(54) **VIDEO GAME CONTROLLER**  
(71) Applicant: **Kenny Vang**, Berwyn, IL (US)  
(72) Inventor: **Kenny Vang**, Berwyn, IL (US)  
(\*\*) Term: **15 Years**  
(21) Appl. No.: **29/759,688**  
(22) Filed: **Nov. 24, 2020**  
(51) **LOC (14) Cl.** ..... **21-01**  
(52) **U.S. Cl.**  
USPC ..... **D21/333**  
(58) **Field of Classification Search**  
USPC ..... D21/325, 326, 327, 333, 324, 328, 332,  
D21/566, 329, 330, 694; D14/401, 400,  
D14/454, 412, 496, 416, 418, 413, 203.3,  
D14/203.5, 218, 415, 252, 414, 419, 457,  
D14/203, 203.1, 203.7, 204, 217, 240,  
D14/253, 333, 342, 357, 358, 388, 403,  
D14/434, 455, 456, 410, 492, 258, 301,  
D14/393, 432, 489  
CPC ..... G06F 1/1666; G06F 17/00; G06F 19/00;  
A63F 9/24; A63F 13/00; A63F 13/23;  
A63F 13/235; A63F 13/24; A63F 13/26;  
A63F 13/843; A63F 13/98; A63F 13/323;  
A63F 2009/2488; A63F 2009/2407; A63F  
2250/52; A63F 2300/00; A63F 2300/1031  
See application file for complete search history.

5,700,194 A \* 12/1997 Hsien ..... G05G 9/047  
463/37  
D389,198 S \* 1/1998 Hama ..... D14/413  
5,769,719 A \* 6/1998 Hsu ..... G06F 3/0238  
463/37  
D414,761 S \* 10/1999 Oikawa ..... D14/413  
D618,287 S \* 6/2010 Biheller ..... D21/333  
D624,078 S \* 9/2010 Jennings ..... D14/401  
D624,079 S \* 9/2010 Jennings ..... D14/401  
D624,080 S \* 9/2010 Jennings ..... D14/401  
D905,163 S \* 12/2020 Konishi ..... D21/333  
2019/0015743 A1 \* 1/2019 Strahle ..... G05G 9/053

**OTHER PUBLICATIONS**

MAYFLASH Universal Arcade FIGHTSTICK. Date First Avail-  
able: Sep. 20, 2016. Retrieved from internet: < <https://www.amazon.com/Mayflash-Arcade-Fight-Android-Switch-NEOGEO/dp/B00QM7JUMY/>> [site visited Jan. 27, 2022] (Year: 2017).\*

(Continued)

*Primary Examiner* — Katherine Glennon  
*Assistant Examiner* — Yuan Yuan  
(74) *Attorney, Agent, or Firm* — Jordan Thomas One

(57) **CLAIM**

The ornamental design for a video game controller, as shown and described.

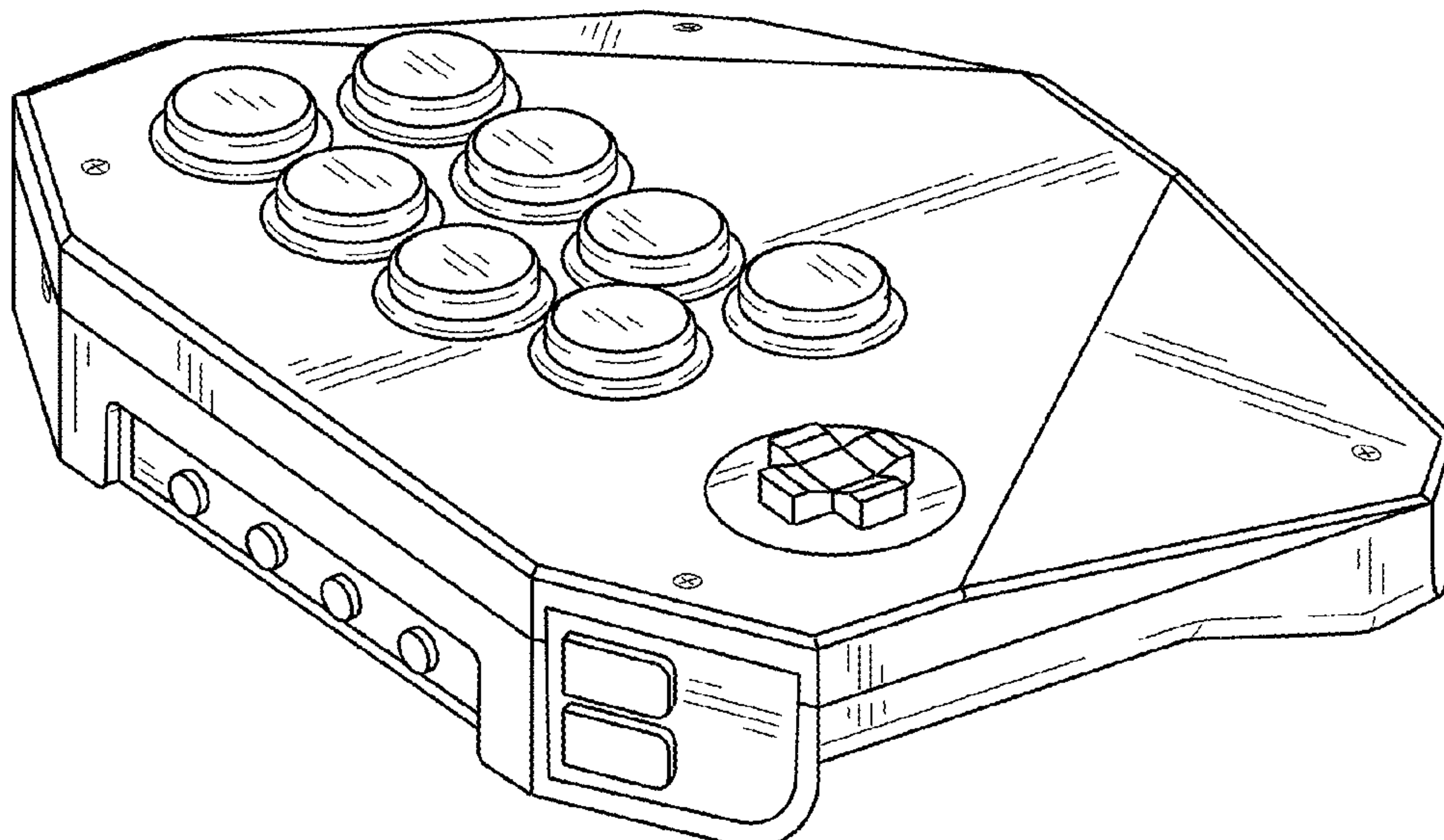
**DESCRIPTION**

FIG. 1 is a perspective view of a video game controller showing my new design;  
FIG. 2 is a top plan view thereof;  
FIG. 3 is a bottom plan view thereof;  
FIG. 4 is a rear elevation view thereof;  
FIG. 5 is a front elevation view thereof;  
FIG. 6 is left side elevation view thereof; and,  
FIG. 7 is a right side elevation view thereof.  
The dashed lines in the figures show portions of the video game controller that form no part of the claimed design.

**1 Claim, 5 Drawing Sheets**

(56) **References Cited**  
U.S. PATENT DOCUMENTS

4,924,216 A \* 5/1990 Leung ..... G05G 9/047  
345/161  
D350,782 S \* 9/1994 Barr ..... D14/401  
D360,235 S \* 7/1995 Emrys-Roberts ..... D14/401  
5,643,087 A \* 7/1997 Marcus ..... G05G 9/047  
463/38  
D387,094 S \* 12/1997 Muraki ..... D14/400



(56)

**References Cited**

OTHER PUBLICATIONS

HORI Real Arcade Pro 4 Kai. Date First Available: Jan. 22, 2015. Retrieved from internet: < <https://www.amazon.com/HORI-Real-Arcade-Pro-PlayStation-4/dp/B00SULMRI4/>> [site visited Jan. 27, 2022] (Year: 2015).\*

MixBox Arcade. Date Posted: Feb. 14, 2018. Retrieved from internet: <<https://theawesomer.com/mixbox-arcade-controller/466106/>> [site visited Jan. 27, 2022] (Year: 2018).\*

\* cited by examiner

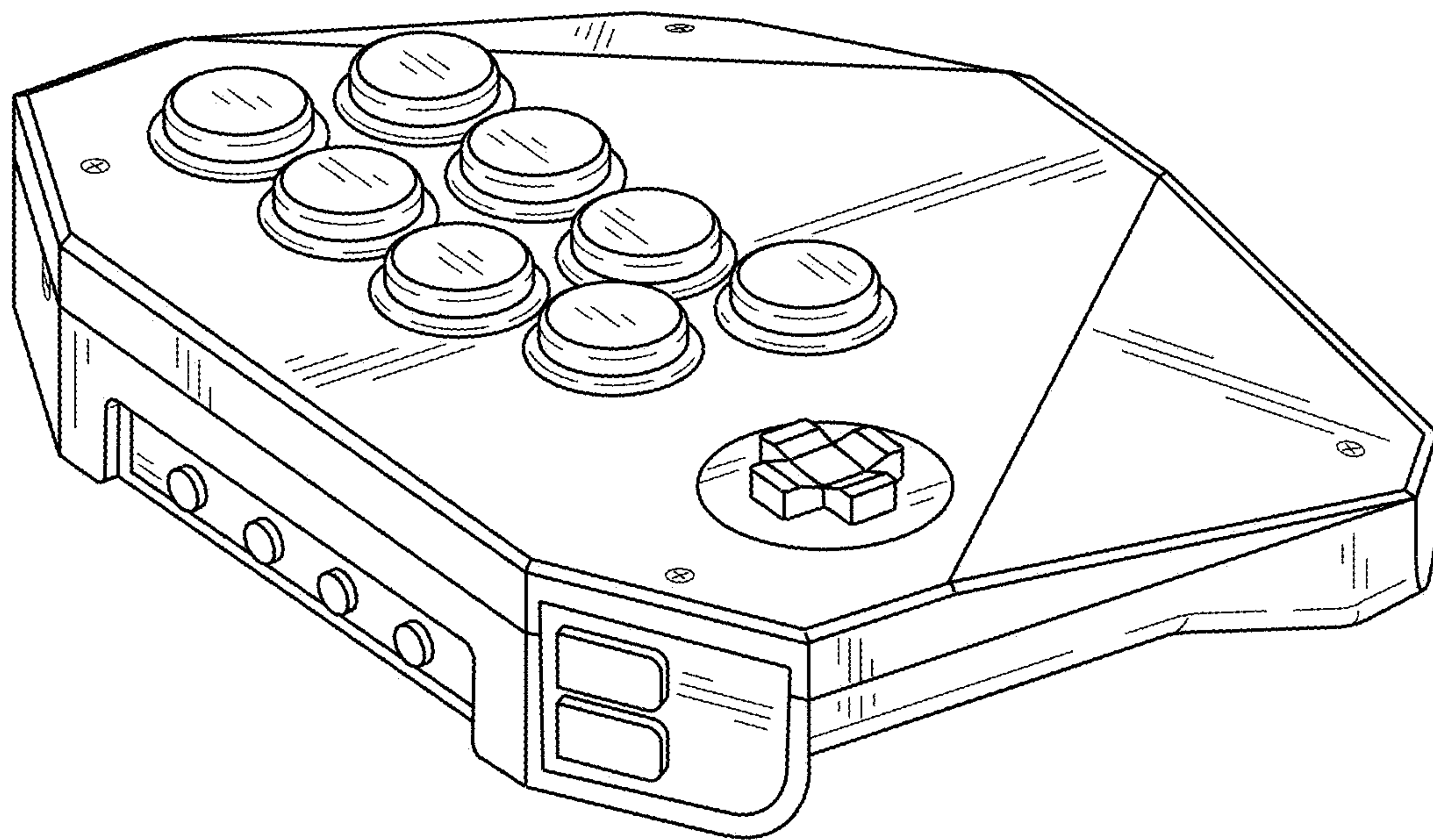


FIG. 1

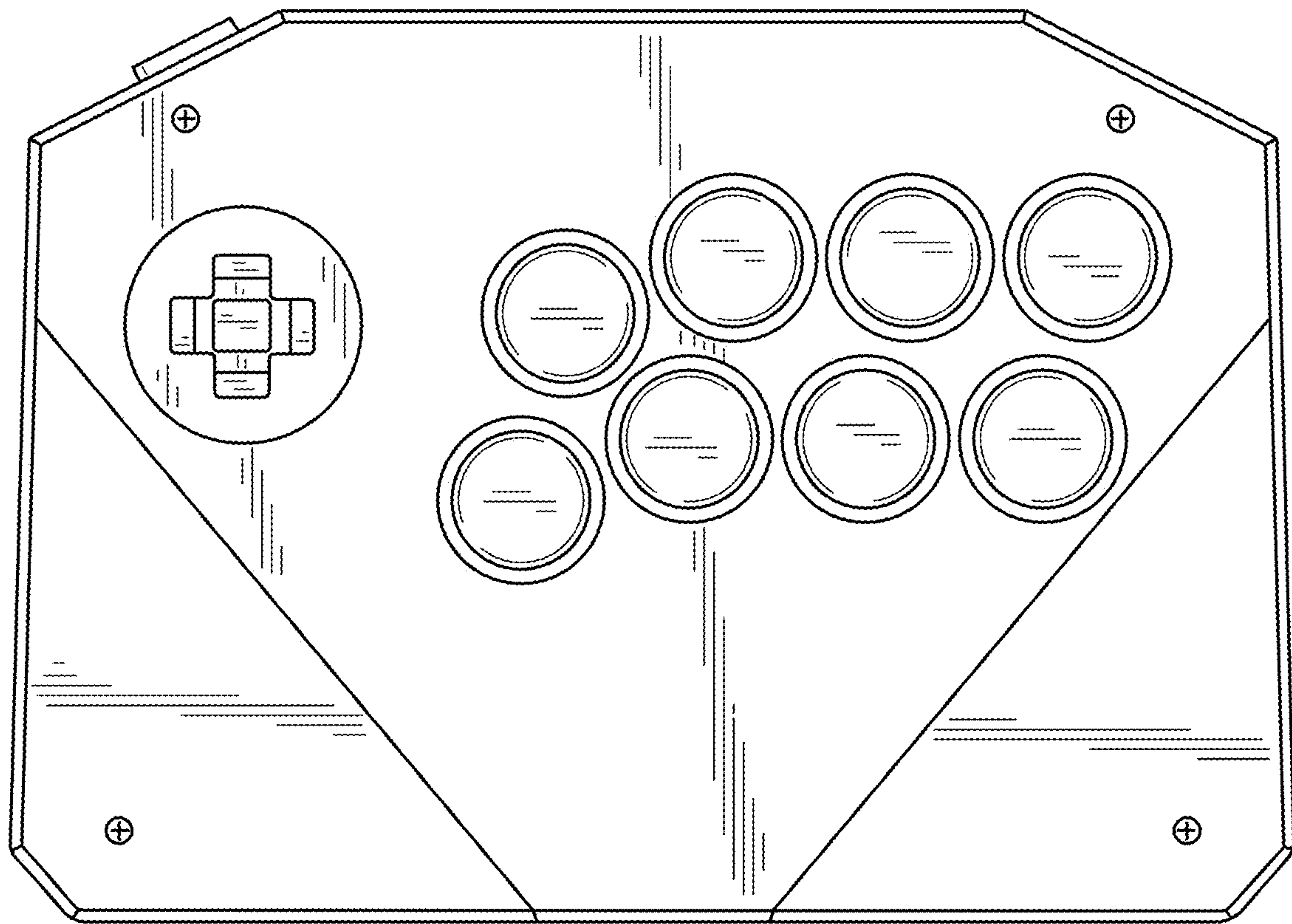


FIG. 2

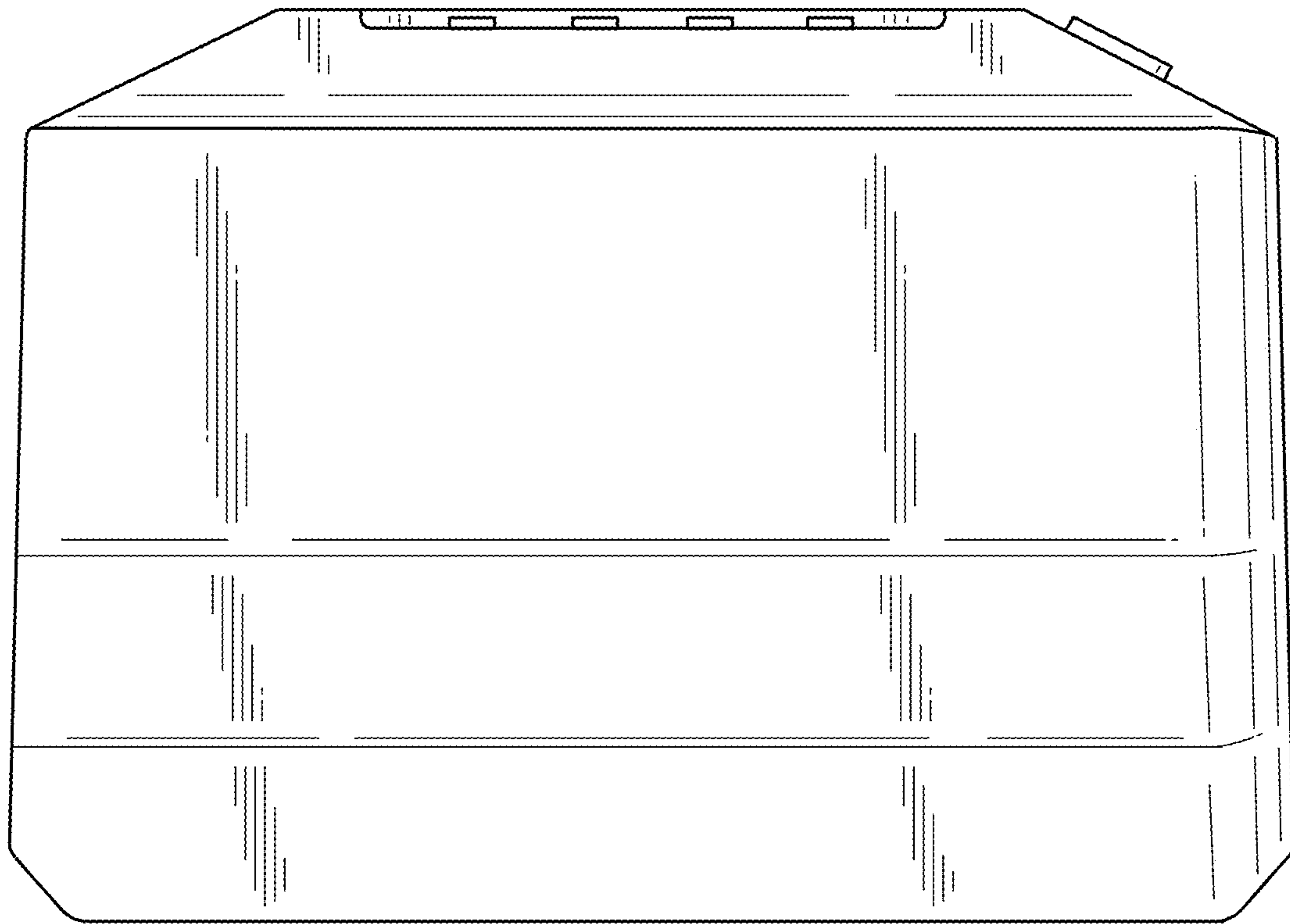


FIG. 3



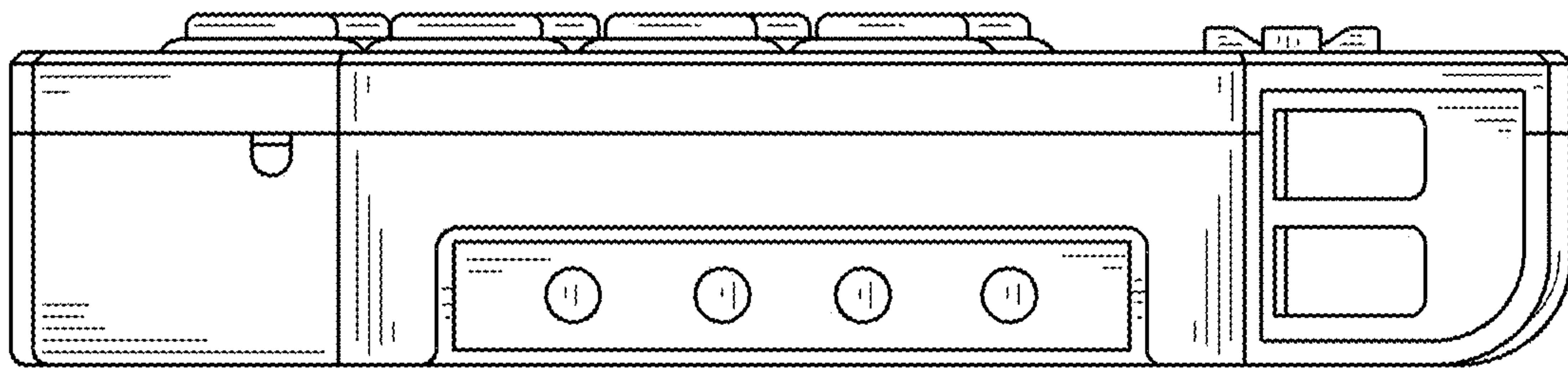


FIG. 4

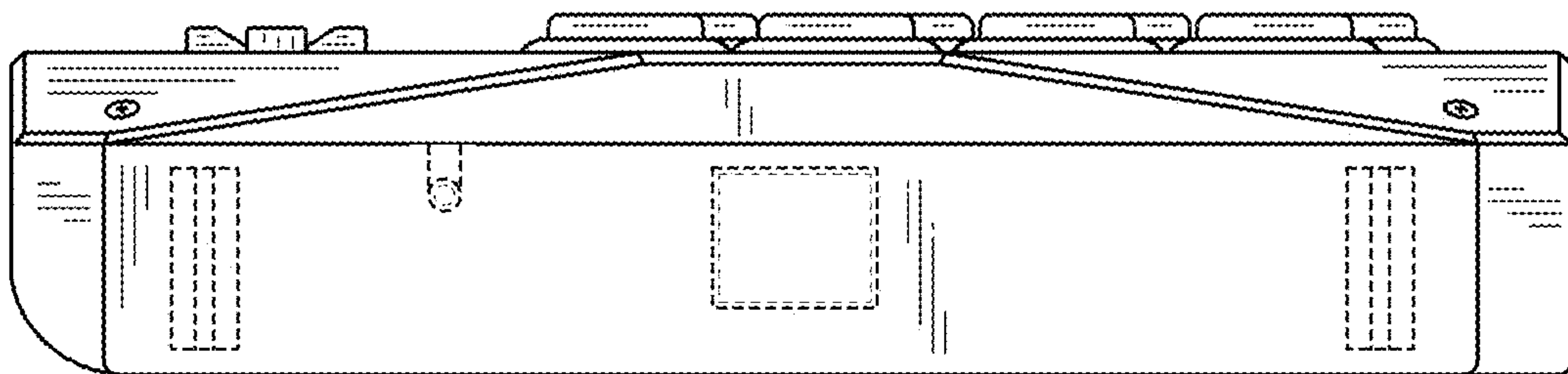


FIG. 5

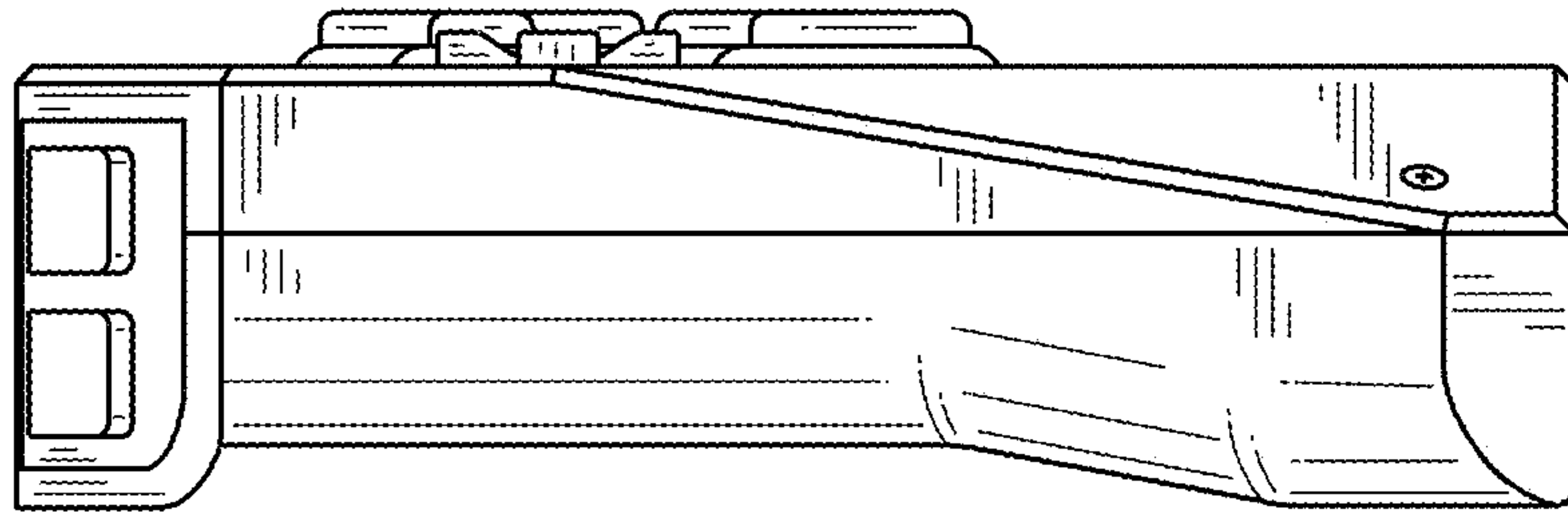


FIG. 6

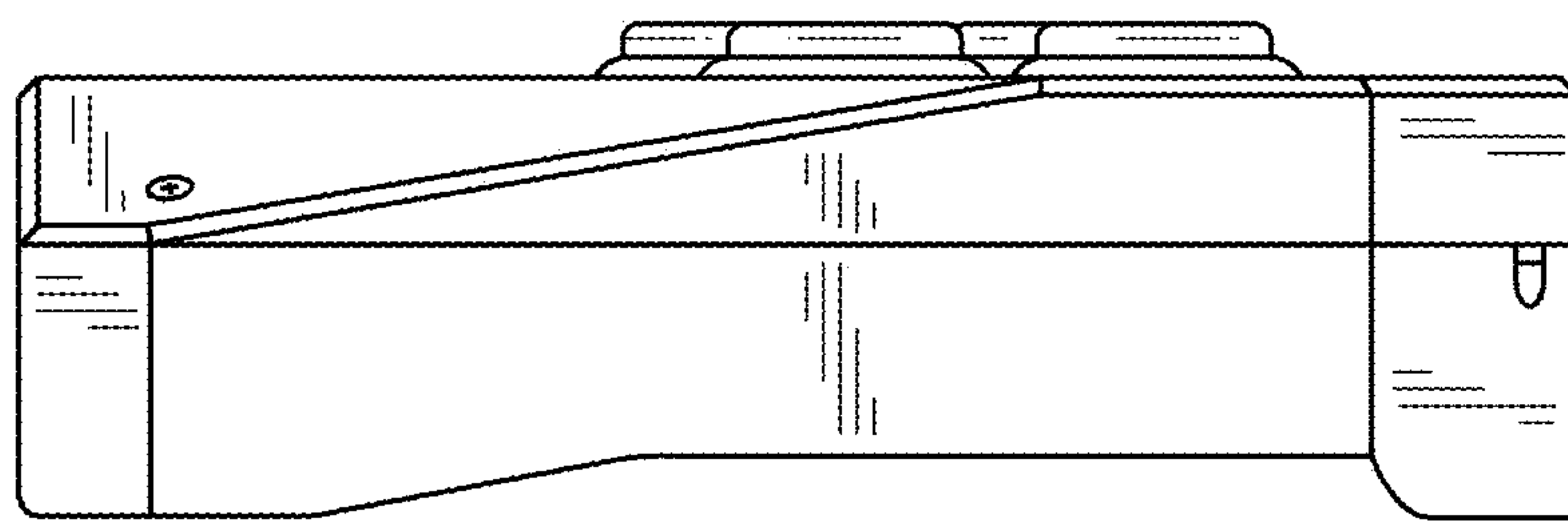


FIG. 7