



US00D977575S

(12) **United States Design Patent** (10) **Patent No.:** **US D977,575 S**
Chatterjee et al. (45) **Date of Patent:** **** Feb. 7, 2023**

(54) **ELECTRONIC CONSOLE**
(71) Applicant: **Microsoft Corporation**, Redmond, WA (US)

D436,352 S 1/2001 Smith
D462,350 S 9/2002 Tanaka
D462,351 S 9/2002 Tanaka
(Continued)

(72) Inventors: **Monique Chatterjee**, Seattle, WA (US);
Matthew C. Harvey, Seattle, WA (US);
Richard T. Hanks, Arlington, MA (US)

OTHER PUBLICATIONS

Skinit Decal Gaming Skin Compatible with Xbox Series X Console;
Amazon; Dec. 1, 2020; 3 pgs.*
(Continued)

(73) Assignee: **Microsoft Corporation**, Redmond, WA (US)

Primary Examiner — Selina Sikder

(**) Term: **15 Years**

(74) Attorney, Agent, or Firm — Banner & Witcoff, Ltd.

(21) Appl. No.: **29/796,946**

(57) **CLAIM**

The ornamental design for an electronic console, as shown and described.

(22) Filed: **Jun. 28, 2021**

DESCRIPTION

(51) **LOC (14) Cl.** **21-01**

(52) **U.S. Cl.**
USPC **D21/332**; D14/349

(58) **Field of Classification Search**
USPC D21/324, 332, 333; D14/140.1, 140.2,
D14/240, 242, 299, 301, 302, 308, 348,
D14/349, 353, 356, 359, 440, 444, 496,
D14/502, 505, 506; D13/158, 160, 184
CPC A63F 9/00; A63F 9/24; A63F 11/00; A63F
13/24; G07F 17/00; G06F 1/18; G06F
1/181; G06F 1/20; H05K 5/00; H05K
5/02; H05K 5/03; H05K 5/04
See application file for complete search history.

FIG. 1 is an isometric view of an electronic console showing our new design;
FIG. 2 is a front view thereof;
FIG. 3 is a rear view thereof;
FIG. 4 is a left side view thereof;
FIG. 5 is a right side view thereof;
FIG. 6 is a top view thereof;
FIG. 7 is a bottom view thereof;
FIG. 8 is an enlarged view of the encircled portion labeled as 8 in FIG. 1;
FIG. 9 is an enlarged view of the encircled portion labeled as 9 in FIG. 3;
FIG. 10 is an enlarged view of the encircled portion labeled as 10 in FIG. 6; and,
FIG. 11 is a cross-sectional view taken through line 11-11 of FIG. 6, showing the concave upper region of the electronic console.

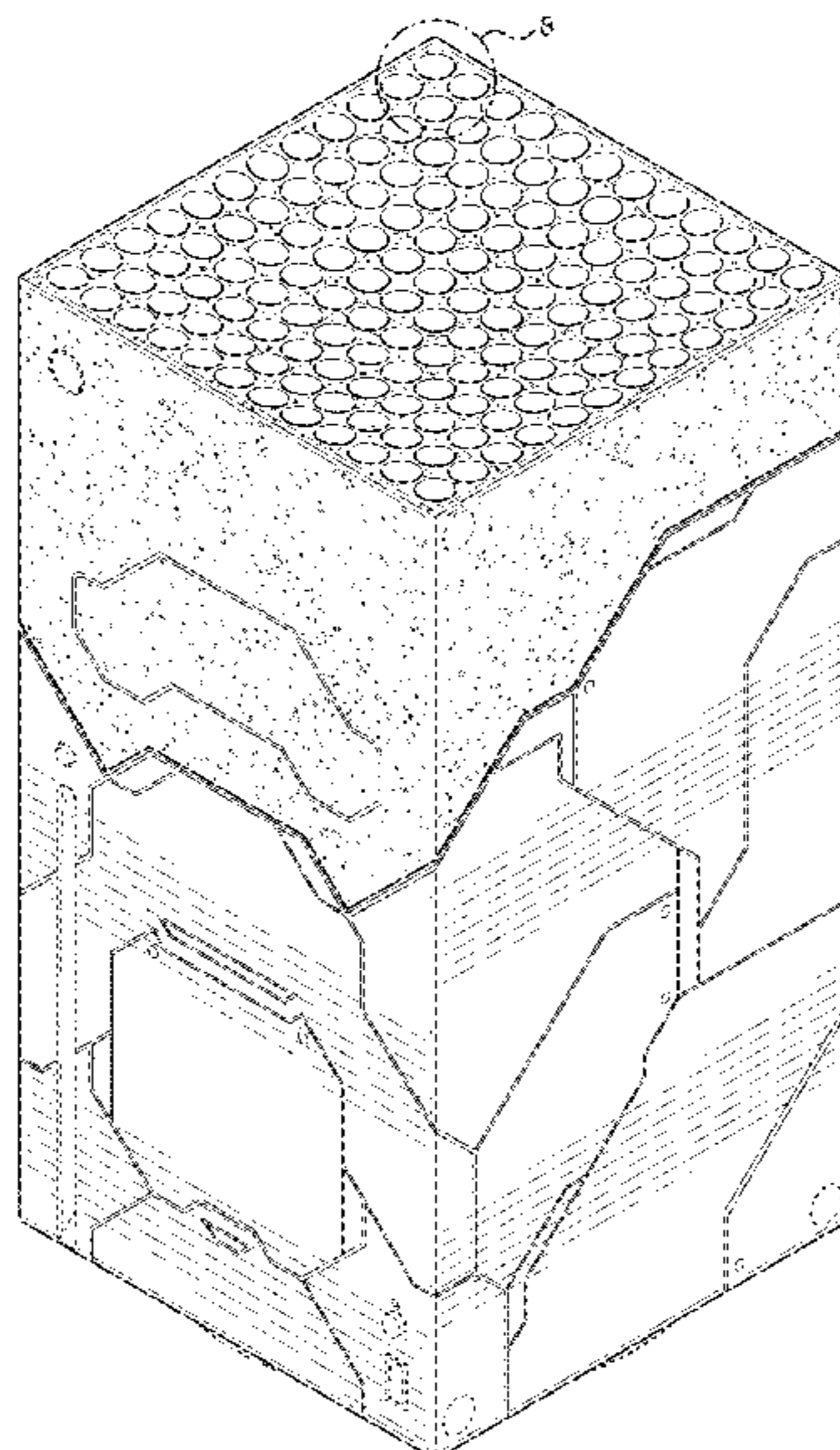
(56) **References Cited**

U.S. PATENT DOCUMENTS

D224,710 S 9/1972 Miller et al.
D234,604 S 3/1975 Shimizu
D274,396 S 6/1984 Kikuchi
D293,317 S 12/1987 Umezumi et al.
D410,282 S 5/1999 Gutmann
D415,482 S 10/1999 Jolson
D423,465 S 4/2000 Runnalls et al.

In the drawings the even length broken lines depict features that form no part of the claimed design. The uneven length broken lines shown in FIGS. 1, 3, 6, and 8-11 show boundaries of the enlarged portions and form no part of the claimed design.

1 Claim, 10 Drawing Sheets



(56)

References Cited

U.S. PATENT DOCUMENTS

D479,718 S 9/2003 Herrmann et al.
 D481,388 S 10/2003 Tanaka
 D483,756 S 12/2003 Tanaka et al.
 D508,491 S 8/2005 Choi
 D535,075 S 1/2007 Weiss
 D572,202 S 7/2008 Jacoby et al.
 D572,672 S * 7/2008 Adducci D13/199
 D639,006 S 5/2011 Yang et al.
 D643,965 S 8/2011 Sprengers
 D650,785 S 12/2011 Terwilliger et al.
 D657,788 S 4/2012 Ledbetter et al.
 D664,993 S 8/2012 Ledbetter et al.
 D665,348 S 8/2012 Ledbetter et al.
 D665,424 S 8/2012 Ledbetter et al.
 D682,282 S 5/2013 Steinfeld
 D693,711 S 11/2013 Jacobs et al.
 D694,247 S * 11/2013 Besterman D14/444
 D696,626 S 12/2013 Jacobs et al.
 D700,246 S 2/2014 Jacobs et al.
 D702,184 S 4/2014 Jacobs et al.
 D705,361 S 5/2014 Jacobs et al.
 D705,869 S 5/2014 Jacobs et al.
 D705,870 S 5/2014 Jacobs et al.
 D705,871 S 5/2014 Jacobs et al.
 D707,144 S 6/2014 Jacobs et al.
 D708,971 S 7/2014 Jacobs et al.
 D709,133 S 7/2014 Jacobs et al.
 D709,134 S 7/2014 Dallmeyer et al.
 D709,959 S 7/2014 Jacobs et al.
 D711,258 S 8/2014 Jacobs et al.
 D711,923 S 8/2014 Dallmeyer et al.
 D713,420 S 9/2014 Dallmeyer et al.
 D713,948 S 9/2014 Westphal
 D722,116 S 2/2015 Gottschalk
 D723,469 S 3/2015 Morris et al.
 D728,089 S * 4/2015 Crisa' D23/366
 D734,531 S 7/2015 Tragatschnig
 D755,942 S 5/2016 Kim et al.
 D766,984 S * 9/2016 Chatterjee D21/333
 D777,891 S 1/2017 Kubota et al.
 D782,019 S 3/2017 Kim
 D783,397 S 4/2017 Riffe
 D791,297 S * 7/2017 Ljungstrom D23/364

D799,016 S 10/2017 Su et al.
 D799,598 S 10/2017 Clark et al.
 D803,368 S 11/2017 Priester
 D804,460 S 12/2017 Li
 D805,067 S 12/2017 Sparks et al.
 D805,130 S 12/2017 Sparks et al.
 D805,131 S 12/2017 Sparks et al.
 D805,132 S 12/2017 Sparks et al.
 D805,133 S 12/2017 Sparks et al.
 D812,053 S * 3/2018 Kacin D14/308
 D817,927 S 5/2018 McManigal et al.
 D820,319 S * 6/2018 Mullins D14/203.3
 D820,358 S 6/2018 Sparks et al.
 D826,334 S 8/2018 Christie et al.
 D826,335 S 8/2018 Christie et al.
 D826,336 S 8/2018 Christie et al.
 D826,337 S 8/2018 Christie et al.
 D827,032 S 8/2018 Christie et al.
 D839,353 S 1/2019 Christie et al.
 D839,354 S 1/2019 Christie et al.
 D839,355 S 1/2019 Christie et al.
 D842,847 S 3/2019 Walliser et al.
 D843,351 S 3/2019 Osborn et al.
 D844,578 S 4/2019 Seflic et al.
 D846,383 S 4/2019 Hernandez
 D867,459 S * 11/2019 Chatterjee D21/333
 D883,984 S 5/2020 Zhang et al.
 D888,918 S 6/2020 Seo et al.
 D889,447 S 7/2020 Biddle
 D890,169 S 7/2020 Liu et al.
 D891,406 S * 7/2020 Hulick D14/240
 D905,161 S * 12/2020 Ledbetter D21/332
 D905,162 S * 12/2020 Chatterjee D21/332
 D924,334 S * 7/2021 Chatterjee D21/332
 D930,082 S * 9/2021 Buller D21/333
 D933,133 S * 10/2021 Ledbetter D21/332
 D940,793 S * 1/2022 Kelter D21/332
 D942,447 S * 2/2022 Ledbetter D14/349
 D954,709 S * 6/2022 Ledbetter D14/349

OTHER PUBLICATIONS

Tacky Design Infinite Space Skin Compatible for Xbox Series; Amazon; Nov. 30, 2021; 2 pgs.*

* cited by examiner

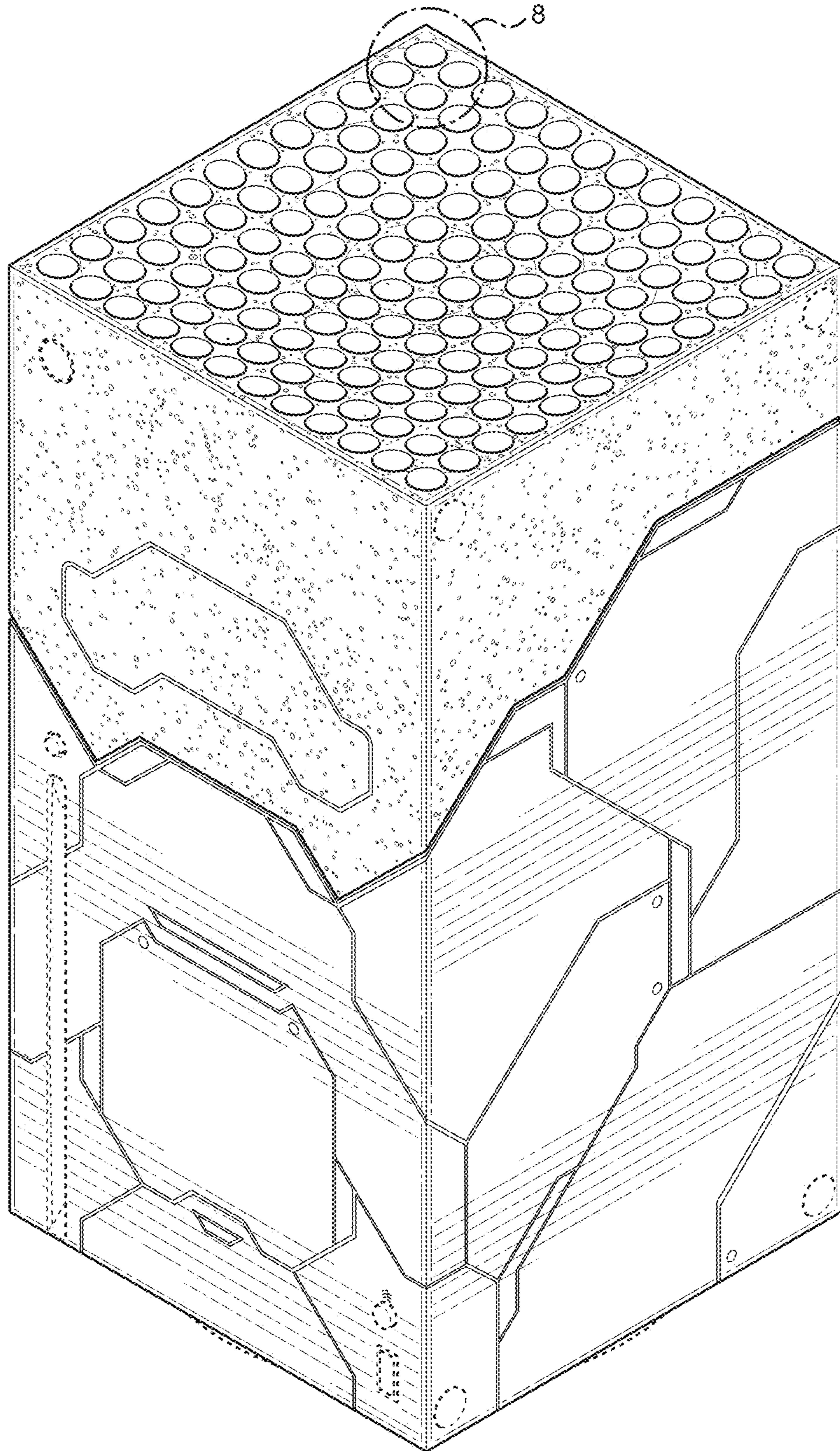


FIG. 1

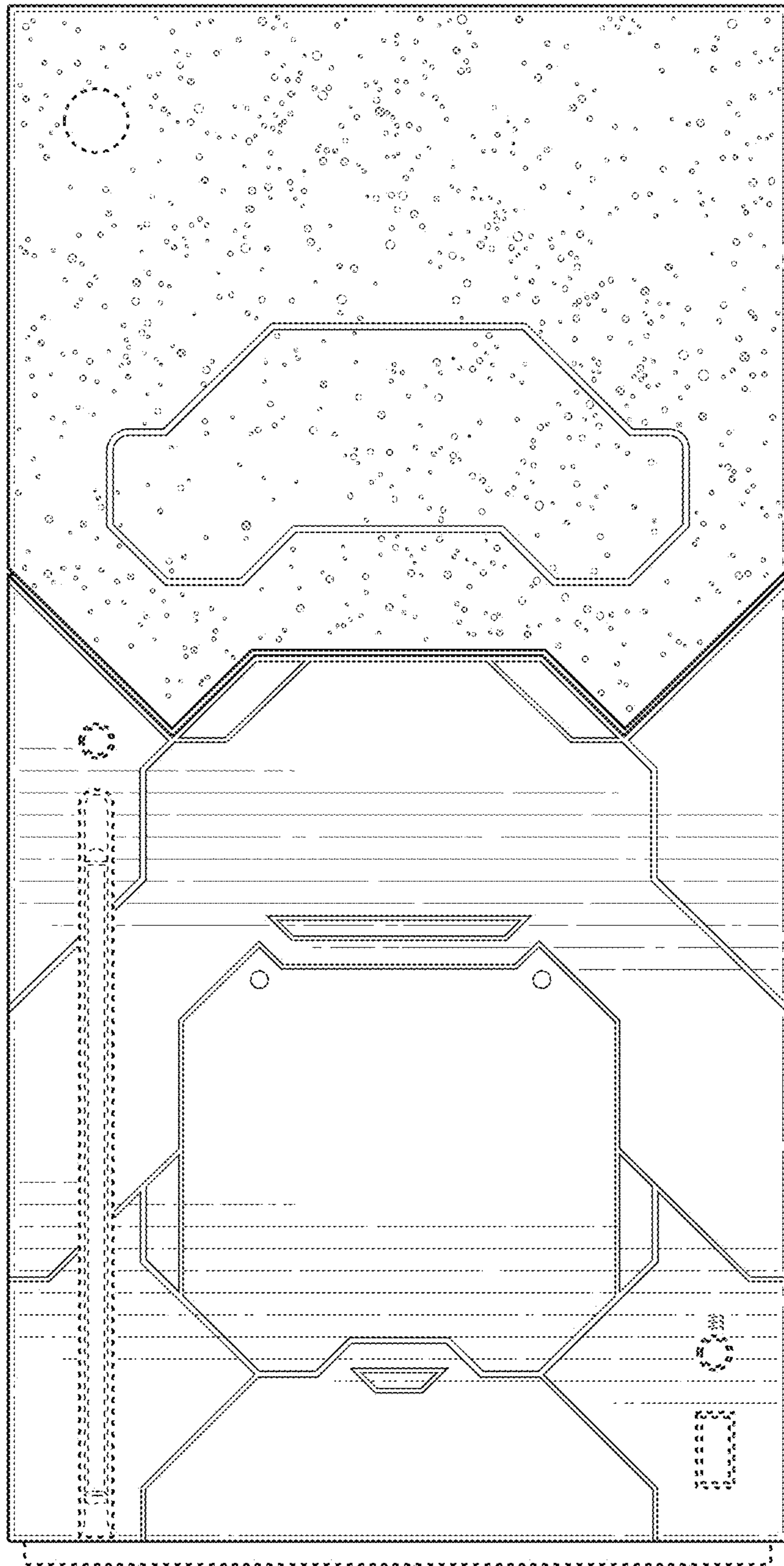


FIG. 2

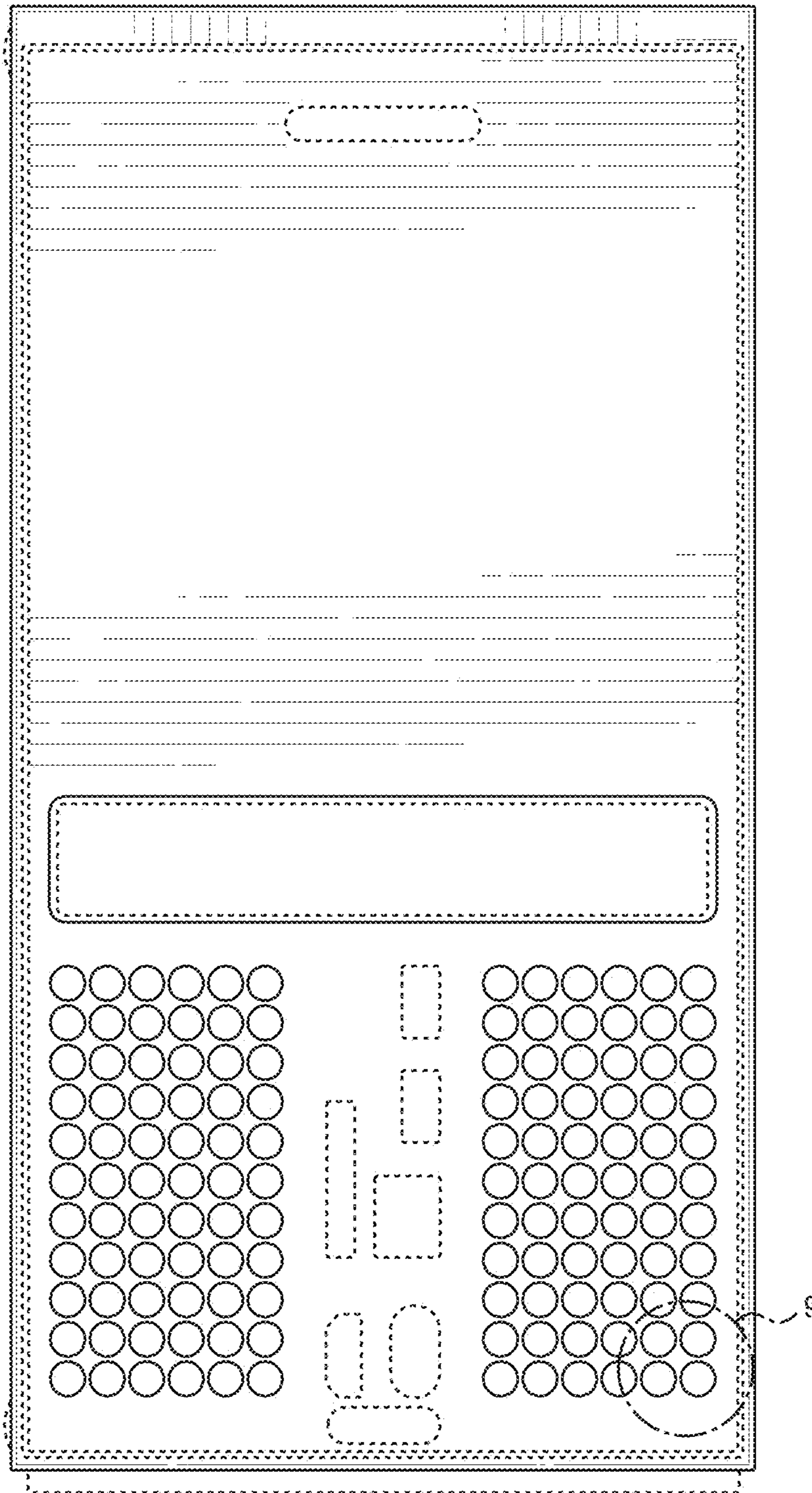


FIG. 3

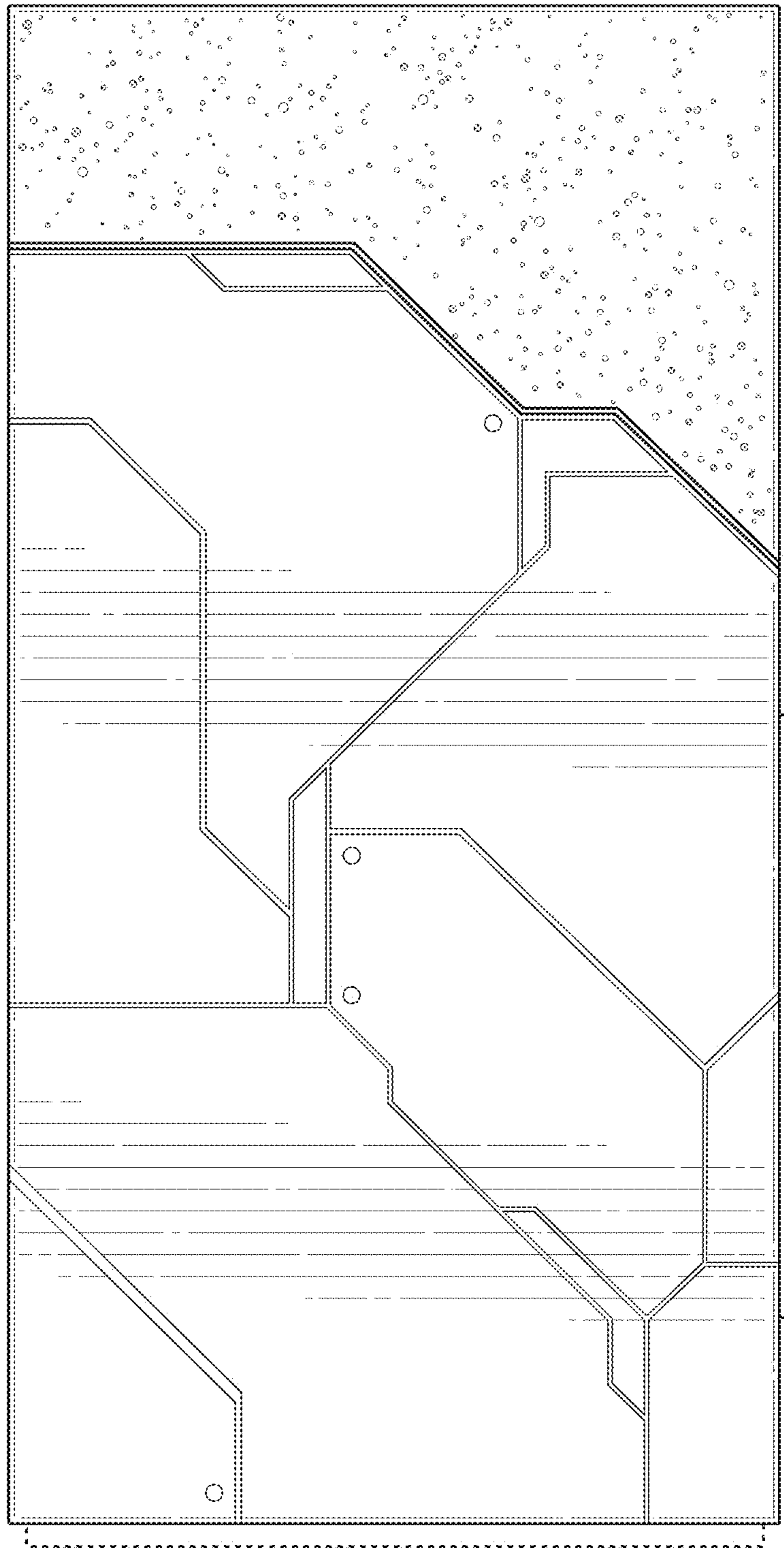


FIG. 4

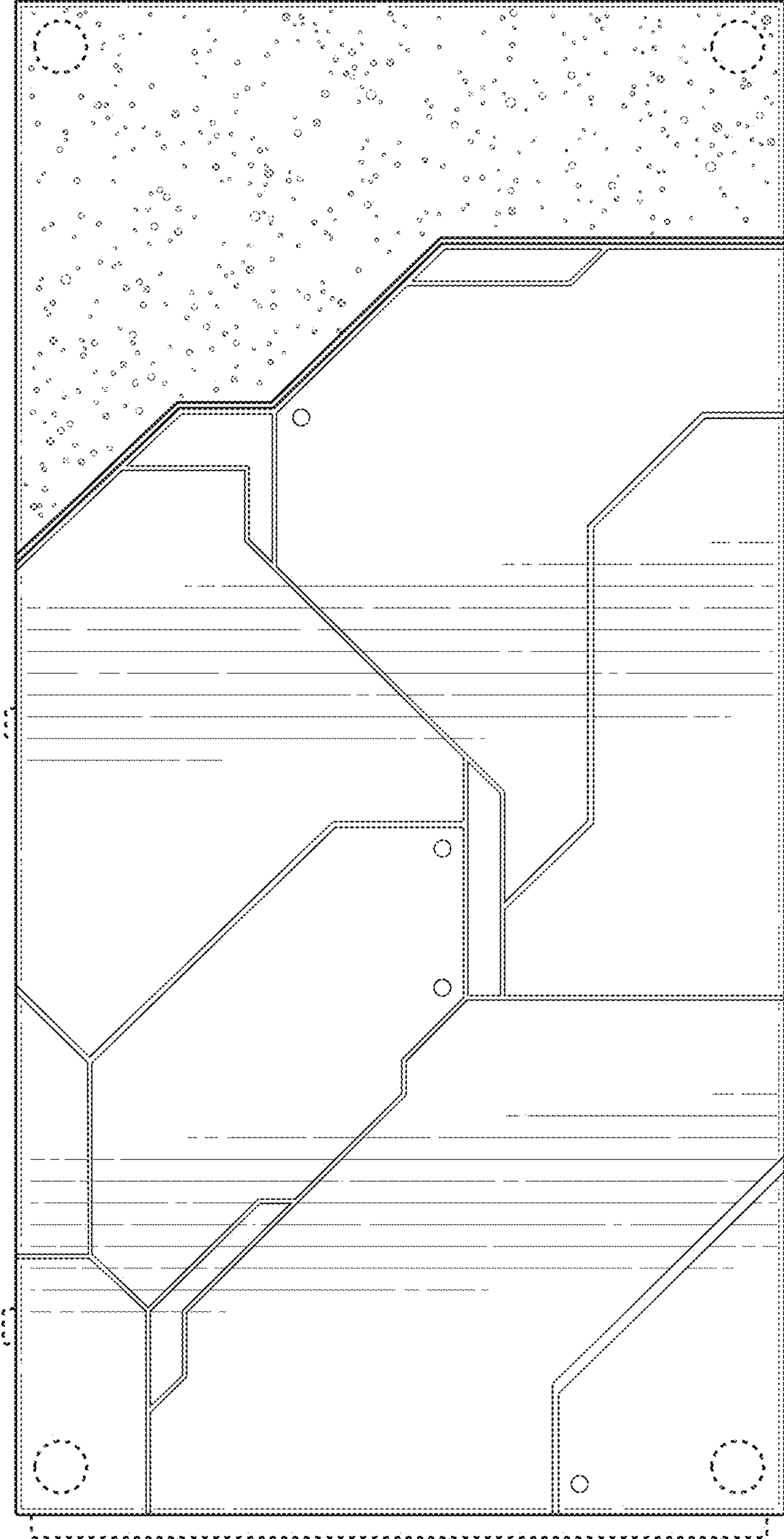


FIG. 5

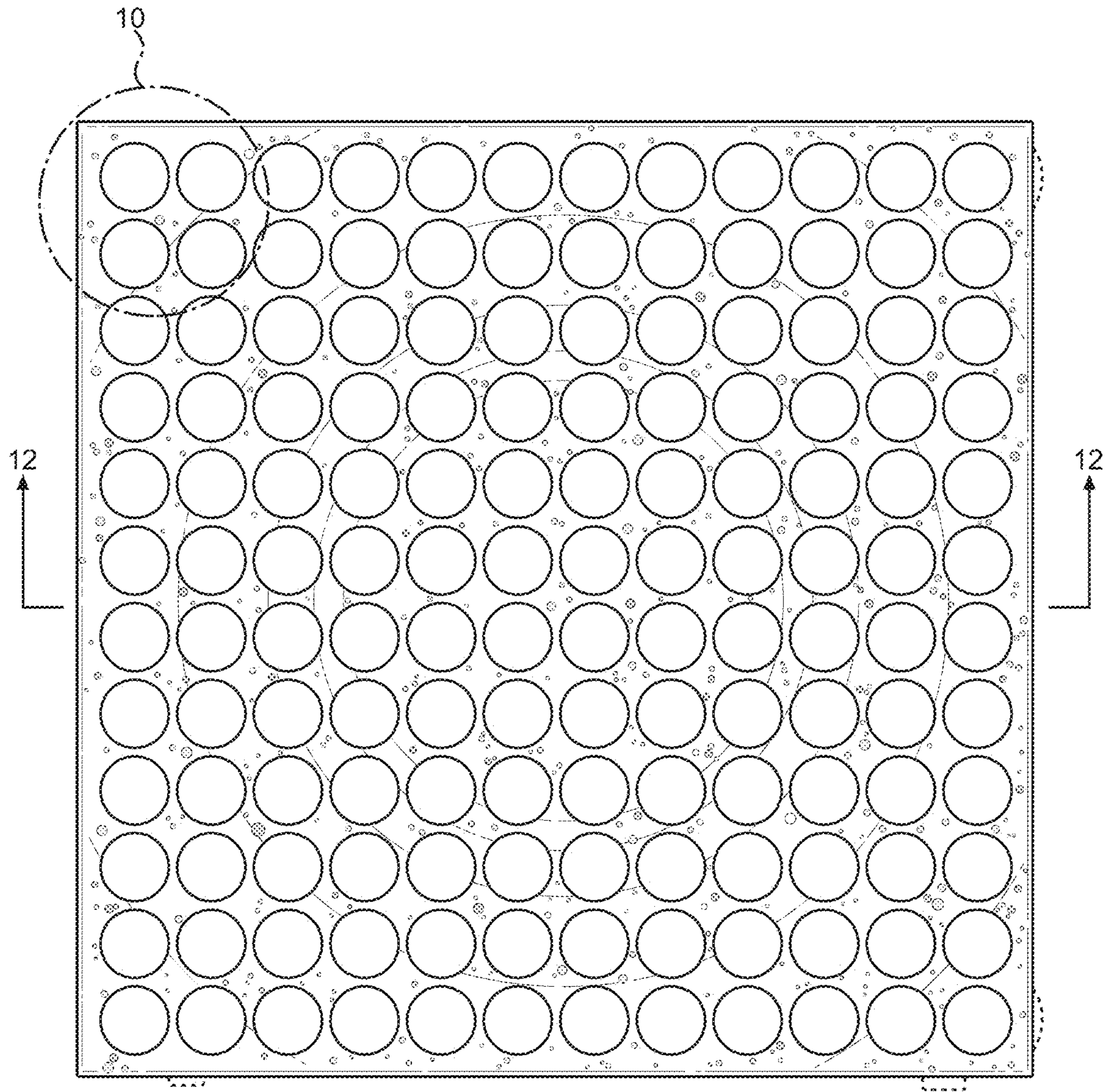


FIG. 6

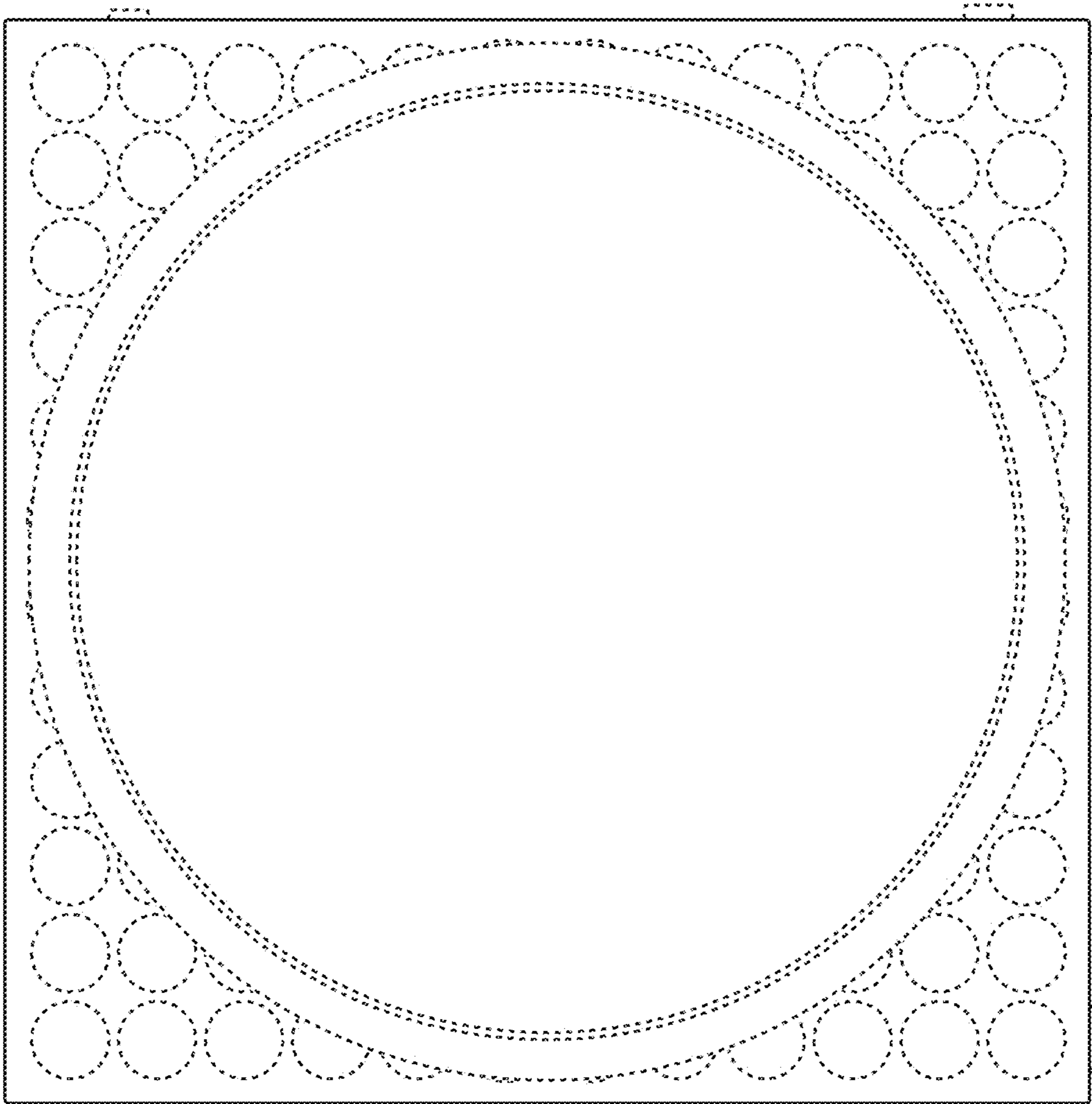


FIG. 7

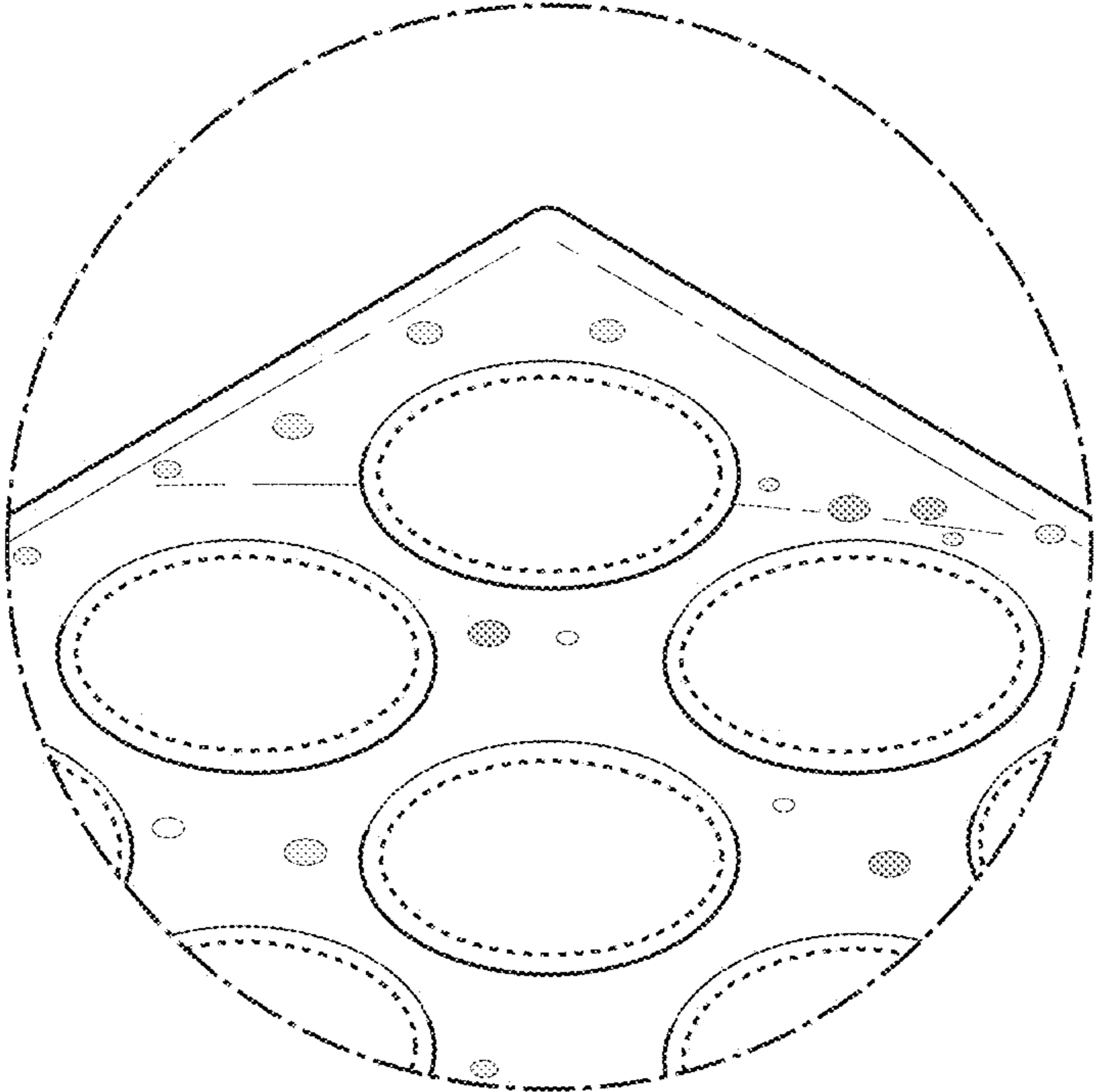


FIG. 8

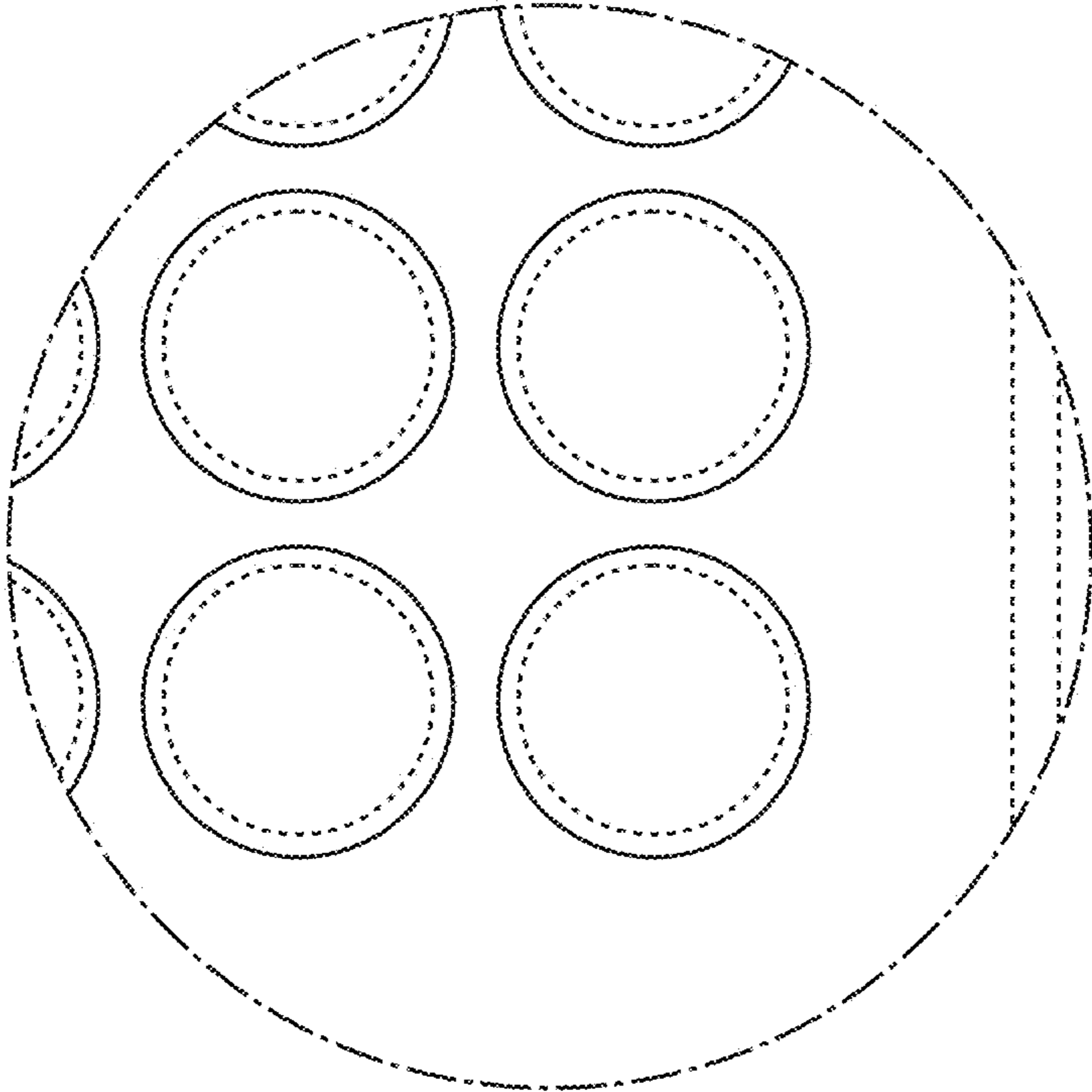


FIG. 9

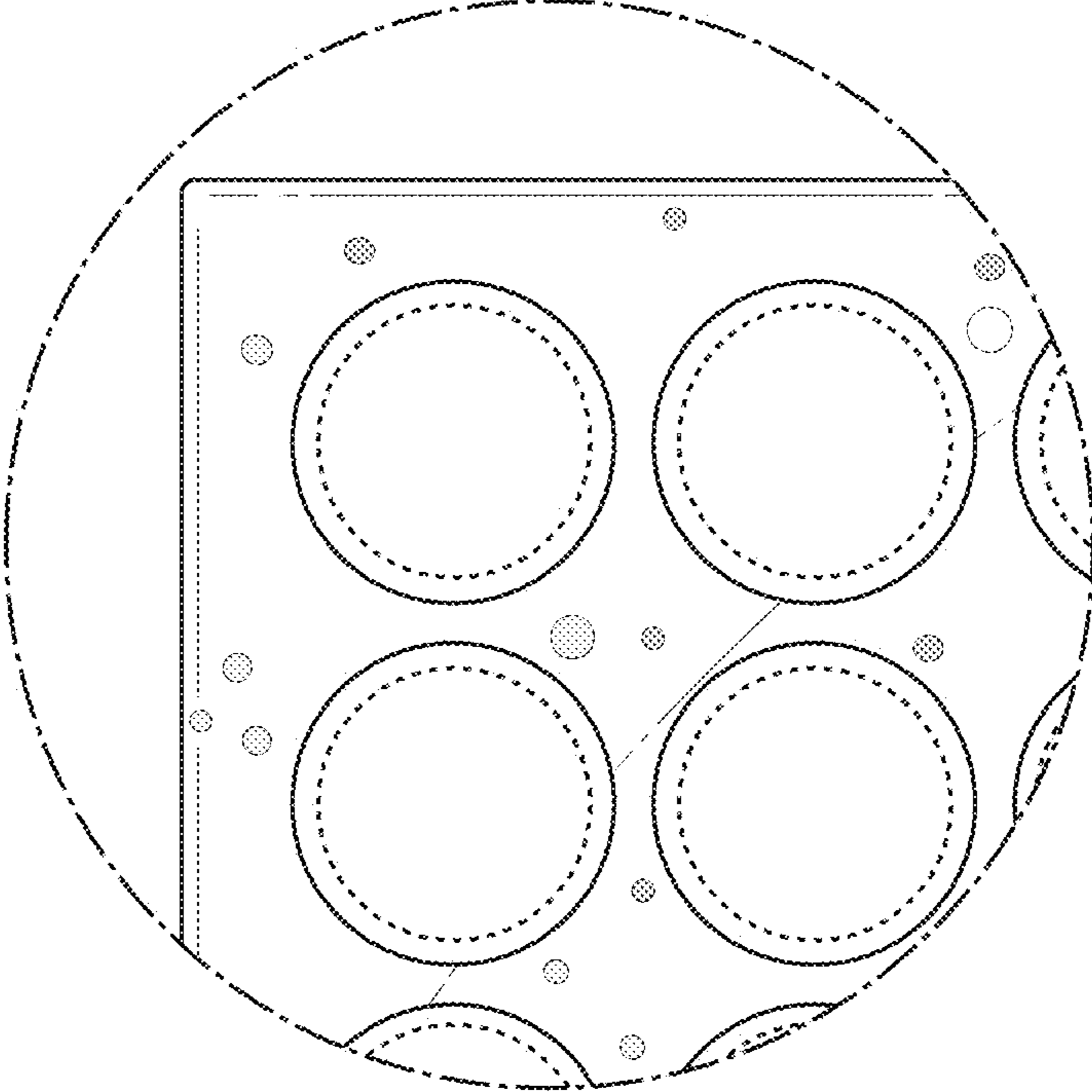


FIG. 10



FIG. 11