



US00D977574S

(12) **United States Design Patent** (10) **Patent No.:** **US D977,574 S**
Huang et al. (45) **Date of Patent:** **** Feb. 7, 2023**

(54) **DOUBLE-SIDED ADVERTISING MACHINE**

(56) **References Cited**

(71) Applicant: **iMGS SMART GLASS TECHNOLOGIES (FUJIAN) CO., LTD**, Longyan (CN)

U.S. PATENT DOCUMENTS

(72) Inventors: **Yifeng Huang**, Longyan (CN); **Qiang Zhang**, Longyan (CN); **Kun Ruan**, Longyan (CN); **Guanghua Shao**, Longyan (CN)

4,095,360 A * 6/1978 Dinan G09F 7/22
40/613
D267,889 S * 2/1983 Samuels, Jr. D20/41
6,634,610 B1 * 10/2003 Ricci G09F 7/18
242/380
6,820,853 B1 * 11/2004 DuBarry A47G 1/1686
248/495
D622,322 S * 8/2010 Hussain D20/42
7,895,784 B1 * 3/2011 Clark G09F 7/22
40/604
8,104,207 B2 * 1/2012 Pitcher G09F 7/20
248/323
D664,211 S * 7/2012 Hase D20/42

(73) Assignee: **iMGS SMART GLASS TECHNOLOGIES (FUJIAN) CO., LTD**, Longyan (CN)

(**) Term: **15 Years**

(Continued)

(21) Appl. No.: **29/769,182**

FOREIGN PATENT DOCUMENTS

(22) Filed: **Feb. 4, 2021**

CN 306130864 * 10/2020

(30) **Foreign Application Priority Data**

Primary Examiner — Catherine Ho

Sep. 10, 2020 (CN) 202030536579.X

(74) *Attorney, Agent, or Firm* — Bayramoglu Law Offices LLC

(51) **LOC (14) Cl.** **20-03**

(52) **U.S. Cl.**
USPC **D20/42**

(57) **CLAIM**

(58) **Field of Classification Search**

The ornamental design for a double-sided advertising machine, as shown and described.

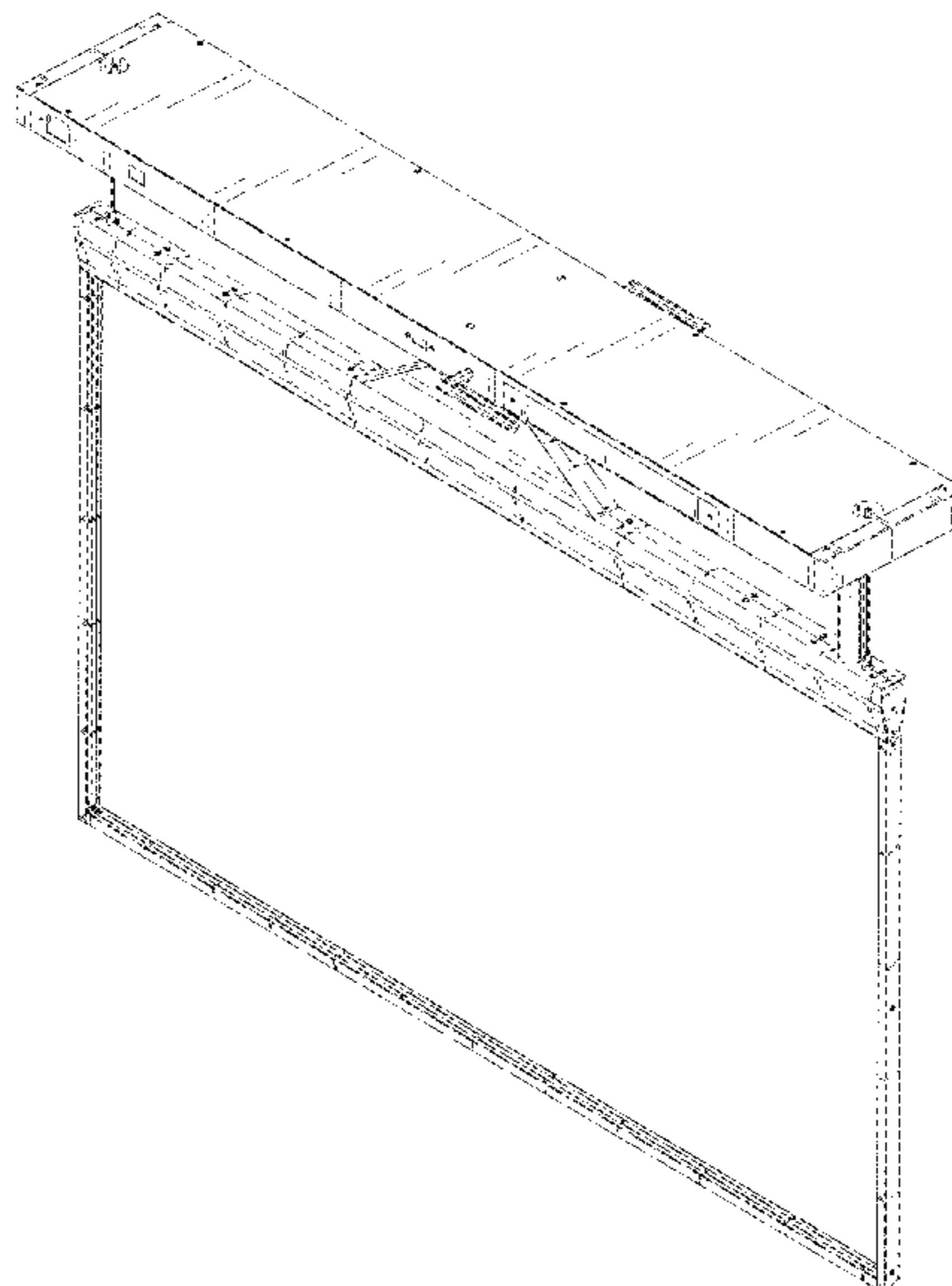
USPC D20/10, 12, 13, 16, 17, 18, 19, 20, 35, D20/40, 41, 42, 43, 99; D14/125, 126, D14/127, 129, 451; D6/682.2, 682.4, D6/682.6; D19/112
CPC H04N 5/655; H04N 5/66; H04N 11/00; H04N 7/00; G06F 3/1407; G06F 3/14; G06F 3/1423; G06F 3/147; G09F 2013/1804; G09F 2013/184; G09F 2013/1872; G09F 13/04; G09F 13/02; G09F 13/00; G09F 13/20; G09F 13/34; G09F 15/00; G09F 7/00; G09F 3/00; G09F 3/10; G09F 3/04; G08B 13/2428; G08B 13/2442

DESCRIPTION

FIG. 1 is a top, front and right perspective view of a double-sided advertising machine showing our new design; FIG. 2 is a front view thereof, the rear view being a mirror image thereof; FIG. 3 is a left side view thereof, the right side view being a mirror image thereof; FIG. 4 is a top view thereof; FIG. 5 is a bottom view thereof; and, FIG. 6 is a bottom, front and right perspective view thereof.

See application file for complete search history.

1 Claim, 6 Drawing Sheets



(56)

References Cited

U.S. PATENT DOCUMENTS

D744,040 S * 11/2015 Schloss G09F 13/18
D20/10
D870,814 S * 12/2019 Florczak D20/42
10,839,721 B2 * 11/2020 Smith G09F 7/18
D905,160 S * 12/2020 Larsen D6/672
D919,007 S * 5/2021 Jang D20/43
D921,759 S * 6/2021 Larsen D20/42
D926,256 S * 7/2021 Hwang D14/126
D934,825 S * 11/2021 Pyo D14/126
D960,981 S * 8/2022 Larsen D20/42
D960,982 S * 8/2022 Larsen D20/42

* cited by examiner

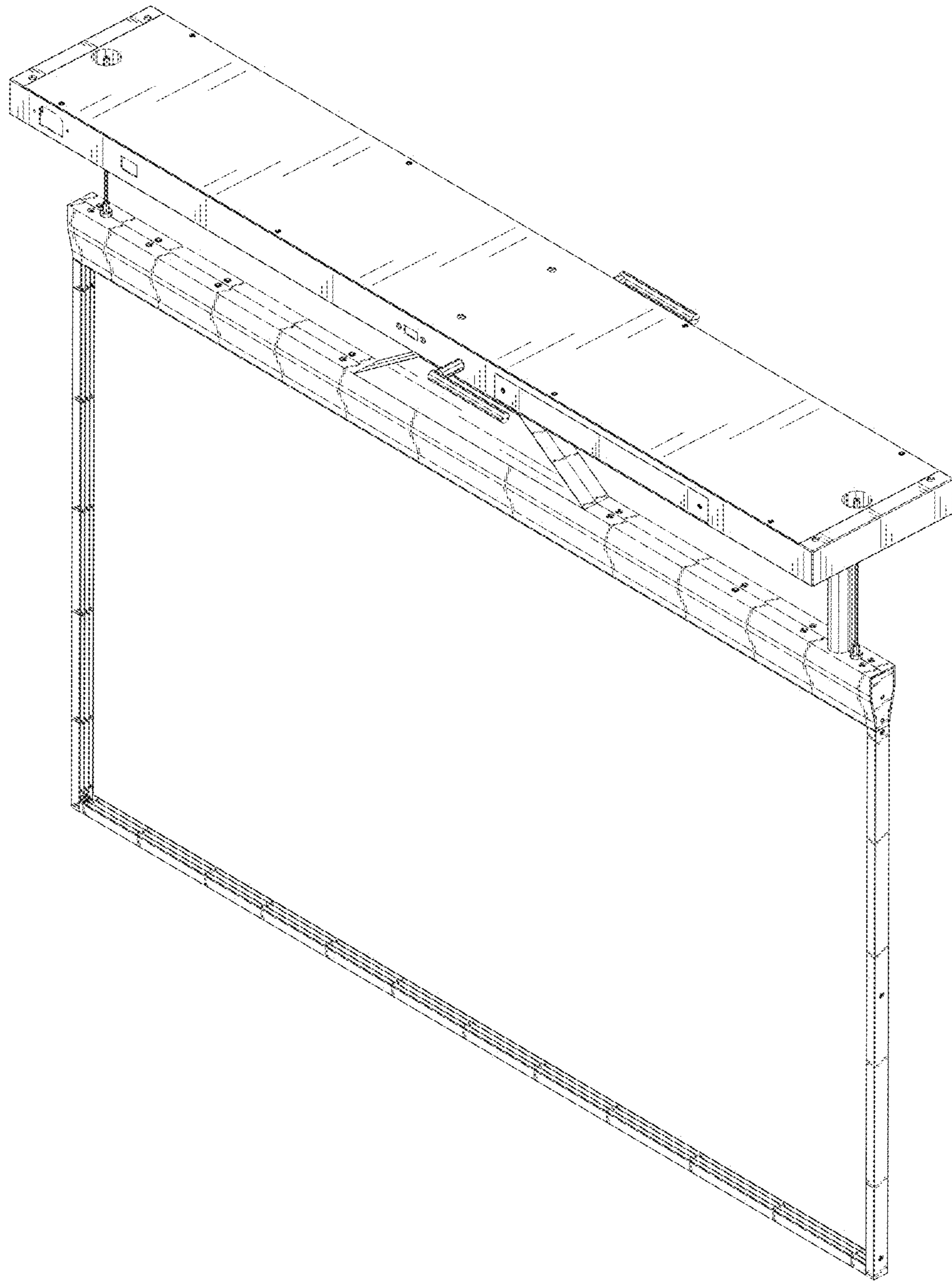


FIG. 1

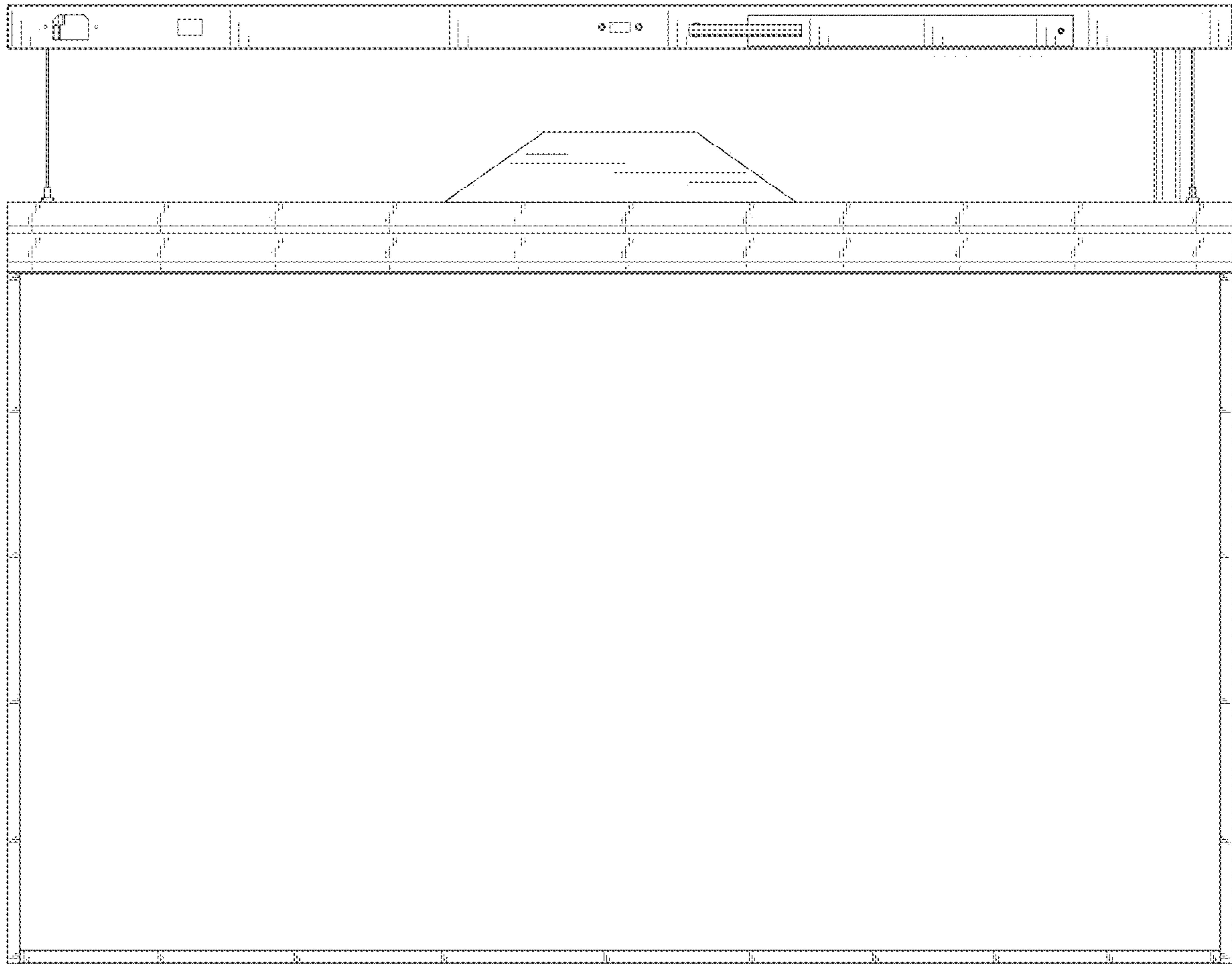


FIG. 2

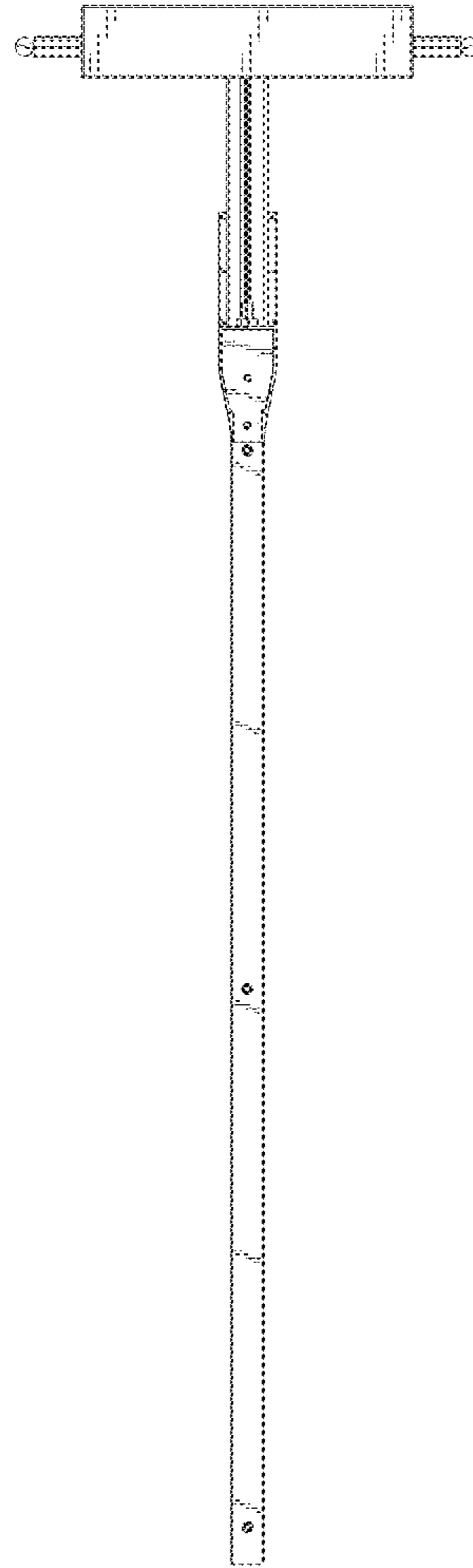


FIG. 3

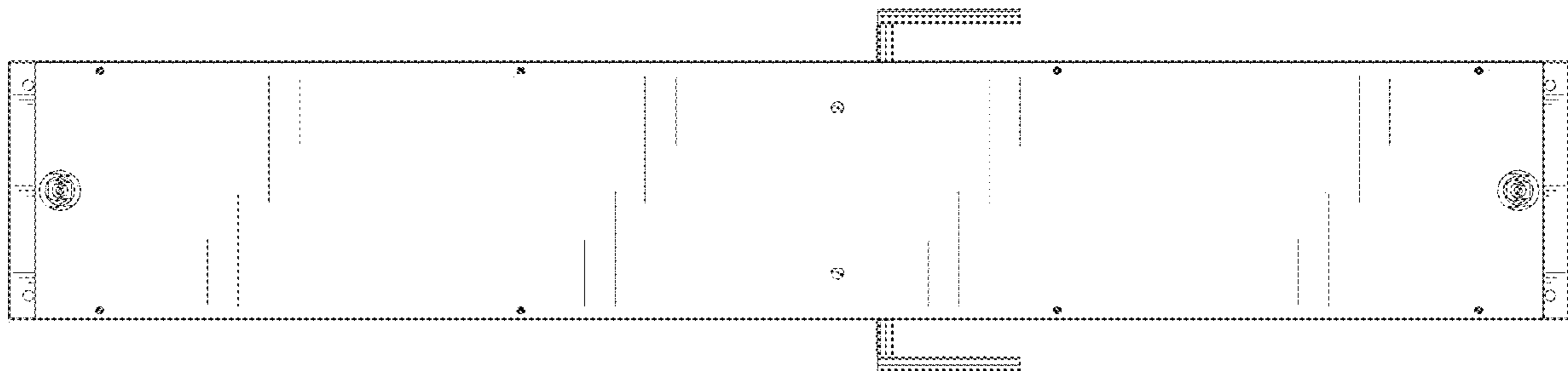


FIG. 4

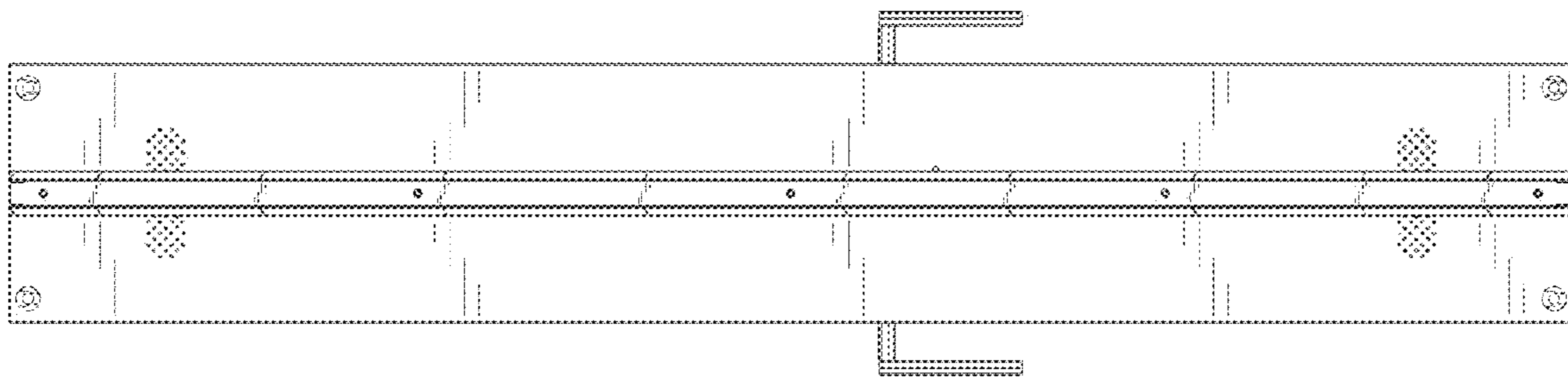


FIG. 5

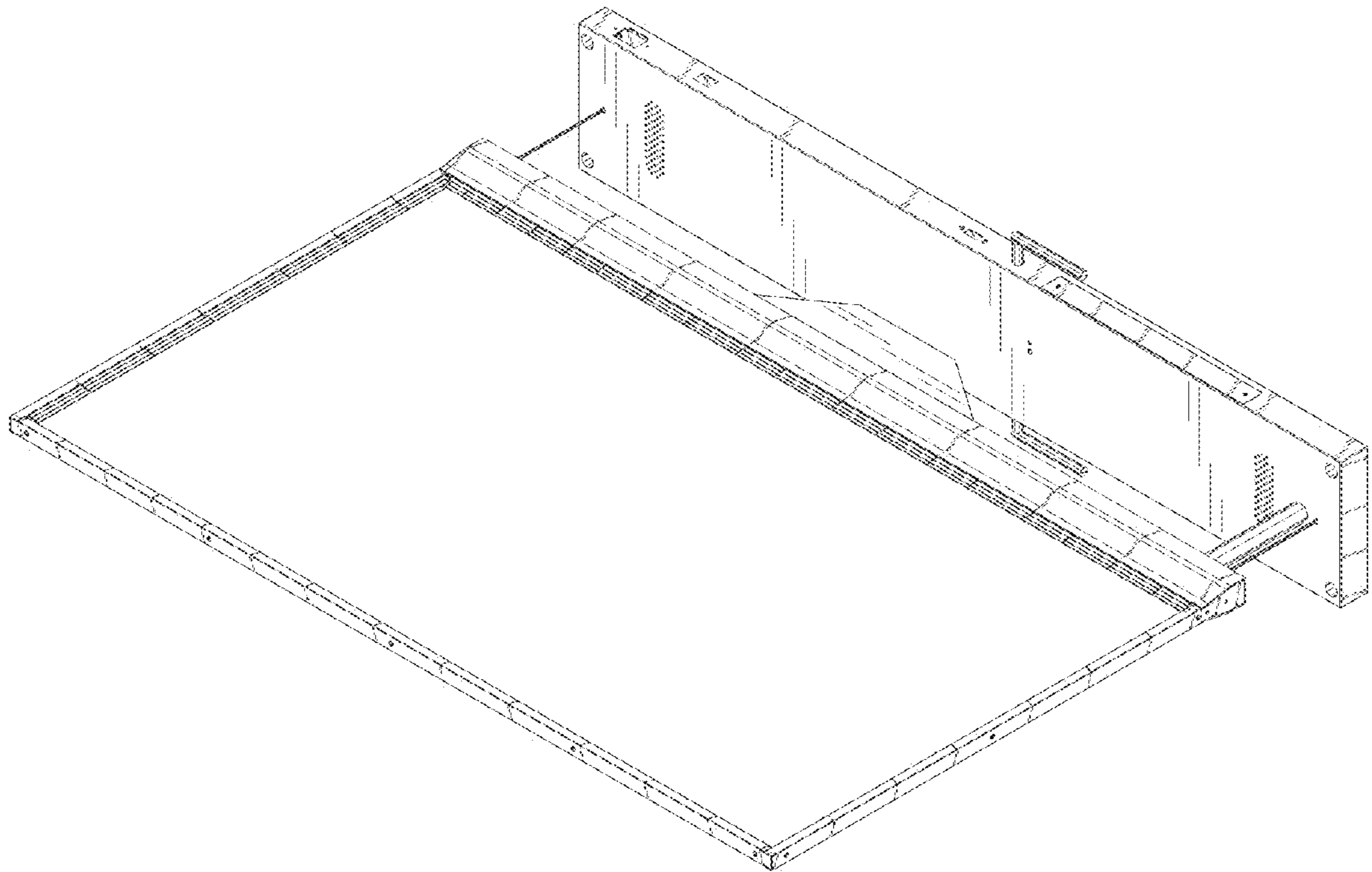


FIG. 6