



US00D977573S

(12) **United States Design Patent** (10) **Patent No.:** **US D977,573 S**
Li (45) **Date of Patent:** **** *Feb. 7, 2023**

(54) **SUN NEON SIGN** 2,005,420 A * 6/1935 Hall G09F 13/30
315/213
(71) Applicant: **Lanxiu Li, Jiangxi (CN)** 2,322,008 A * 6/1943 Fodor G09F 13/26
211/1
(72) Inventor: **Lanxiu Li, Jiangxi (CN)** 5,617,659 A * 4/1997 Okubo G09F 13/26
362/147
(*) Notice: This patent is subject to a terminal disclaimer. D675,056 S * 1/2013 Goodman D7/388
D709,319 S * 7/2014 Goodman D7/388
D916,556 S * 4/2021 Veldkamp D7/389
(**) Term: **15 Years** 2005/0060922 A1 * 3/2005 Nimmer G09F 9/313
40/606.01
2019/0244551 A1 * 8/2019 Chiang F21V 19/003

(21) Appl. No.: **29/767,795**
(22) Filed: **Jan. 26, 2021**
(51) **LOC (14) Cl.** **20-03**
(52) **U.S. Cl.**
USPC **D20/29**
(58) **Field of Classification Search**
USPC D6/325, 328; D8/315, 316, 354, 366,
D8/371, 373, 380, 381, 400; D20/10, 12,
D20/17, 19, 29, 30, 39, 42-44, 99;
D25/119
CPC F21Y 2103/30; F21Y 2103/33; F21Y
2103/37; F21Y 2107/10; G09F 13/20;
G09F 13/22; G09F 13/26; G09F 13/30;
G02B 6/006; G02B 6/0061
See application file for complete search history.

(56) **References Cited**
U.S. PATENT DOCUMENTS
524,752 A * 8/1894 Bohm G09F 13/26
340/815.4
D42,636 S * 6/1912 Leschen D20/29
1,672,285 A * 6/1928 Schaefer G09F 13/26
313/515
1,785,341 A * 12/1930 Fisher G09F 13/26
40/579
1,977,093 A * 10/1934 Sechi G09F 13/24
40/406

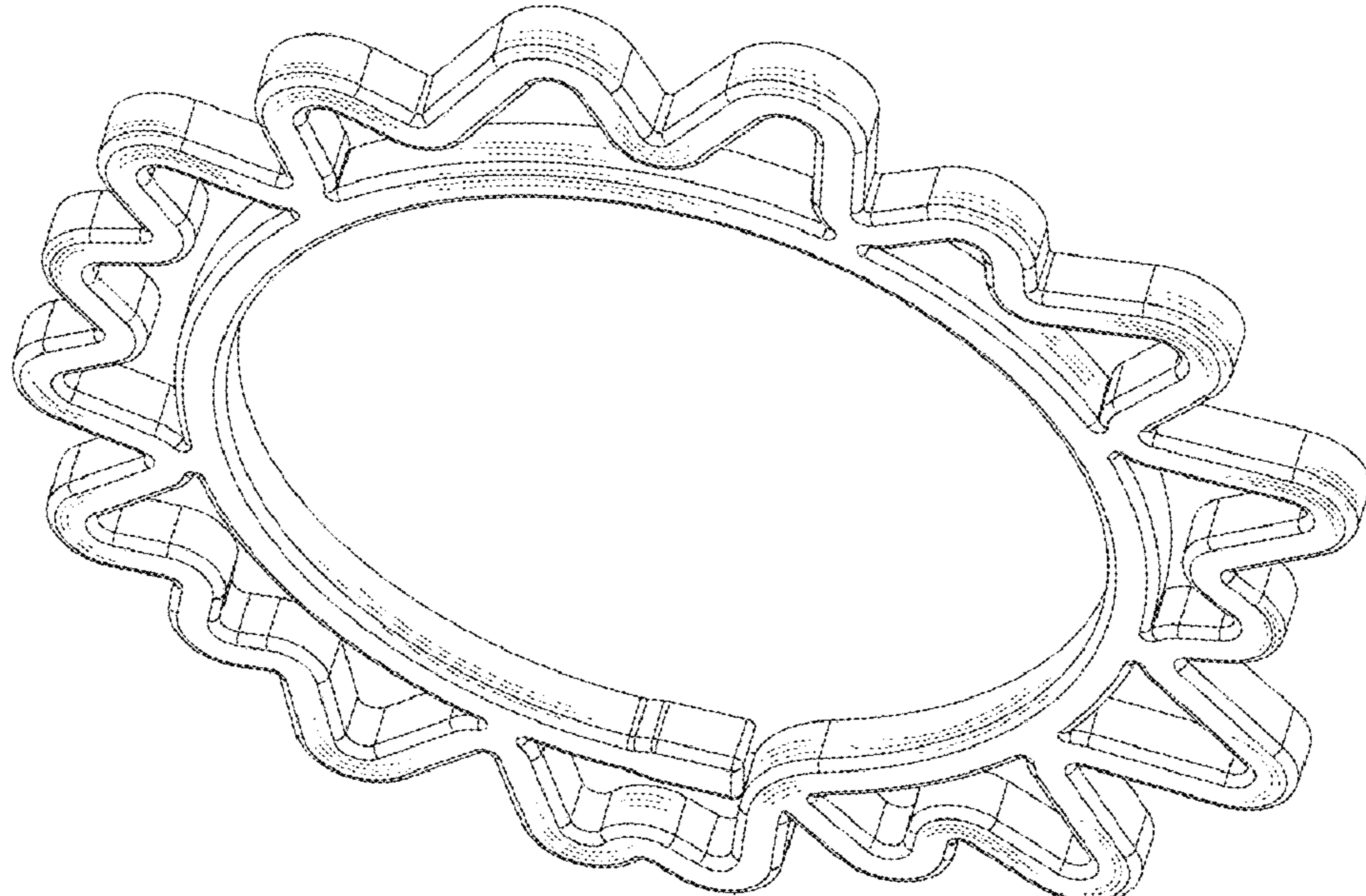
OTHER PUBLICATIONS
Neon light, posted at amazon.com, posted on Feb. 25, 2021, site visited Apr. 7, 2022. online, available from internet: <https://www.amazon.com.au/Lighting-Battery-Decoration-Christmas-Romantic/dp/B08XHZWTMQ> (Year: 2021).*

* cited by examiner
Primary Examiner — Catherine Ho

(57) **CLAIM**
The ornamental design for a sun neon sign, as shown and described.

DESCRIPTION
FIG. 1 is a perspective view of a sun neon sign showing my new design;
FIG. 2 is a front elevation view thereof;
FIG. 3 is a rear elevation view thereof;
FIG. 4 is a left side elevation view thereof;
FIG. 5 is a right side elevation view thereof;
FIG. 6 is a top plan view thereof; and,
FIG. 7 is a bottom plan view thereof.

1 Claim, 7 Drawing Sheets



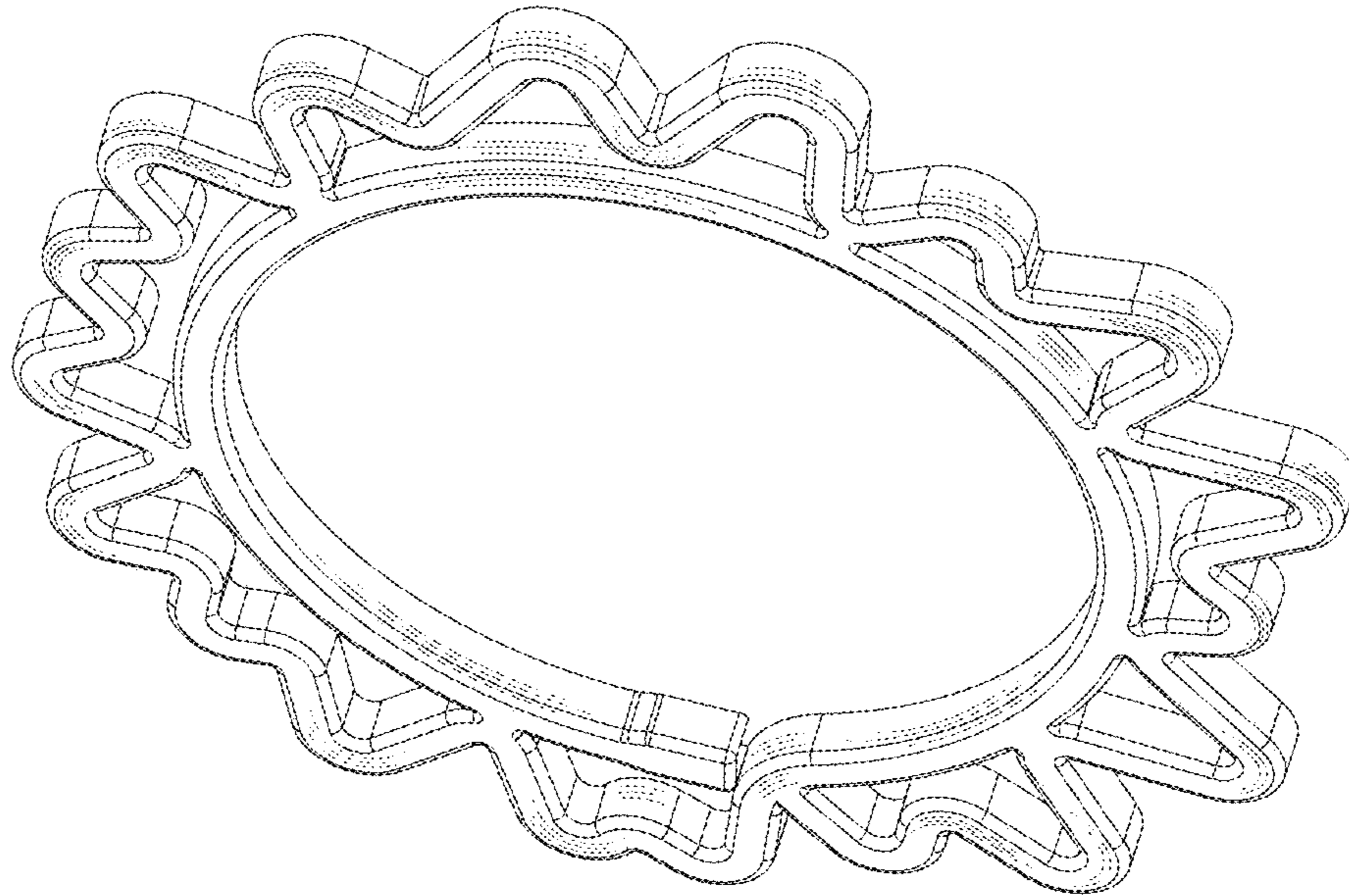


FIG. 1

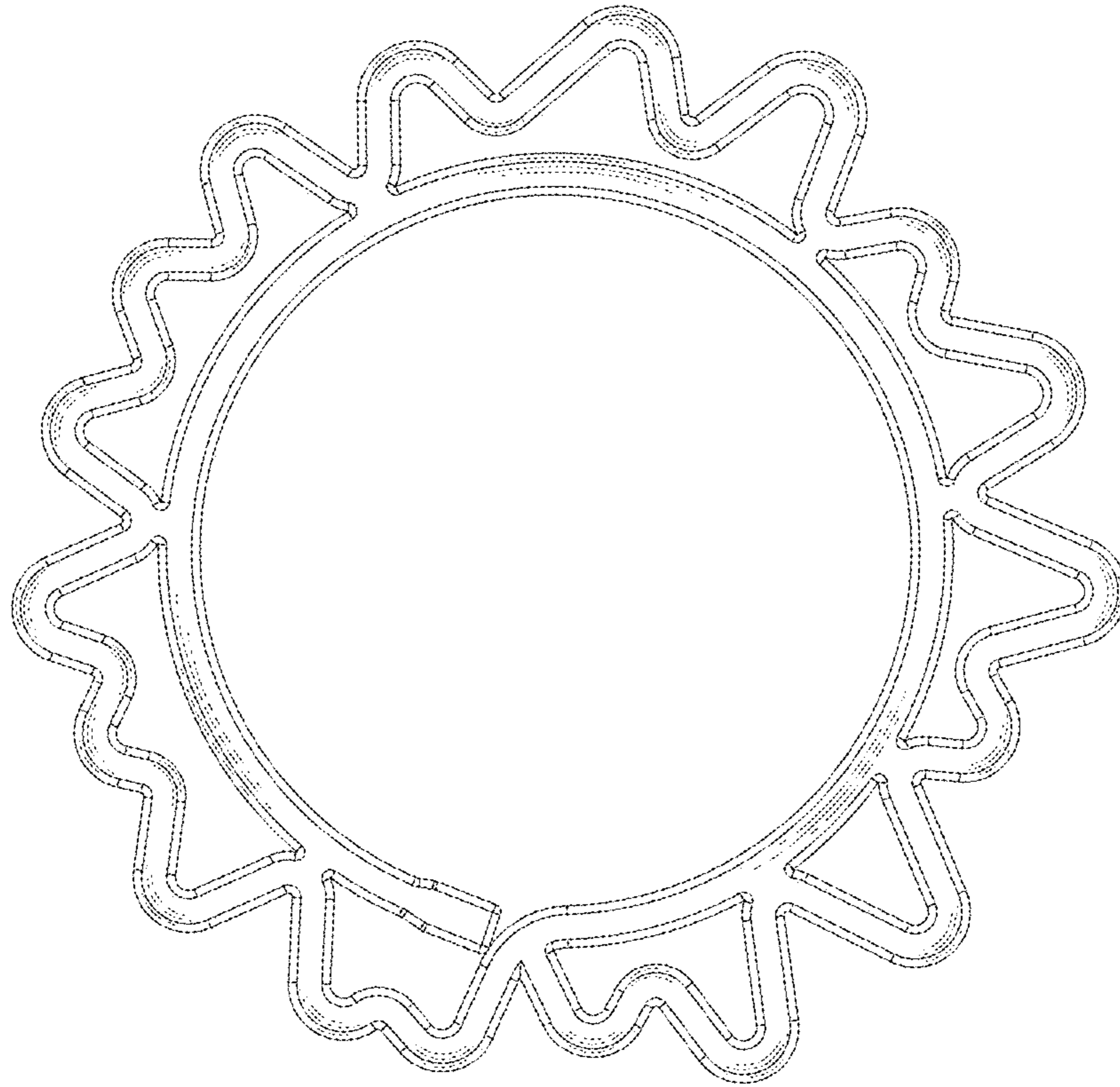


FIG. 2

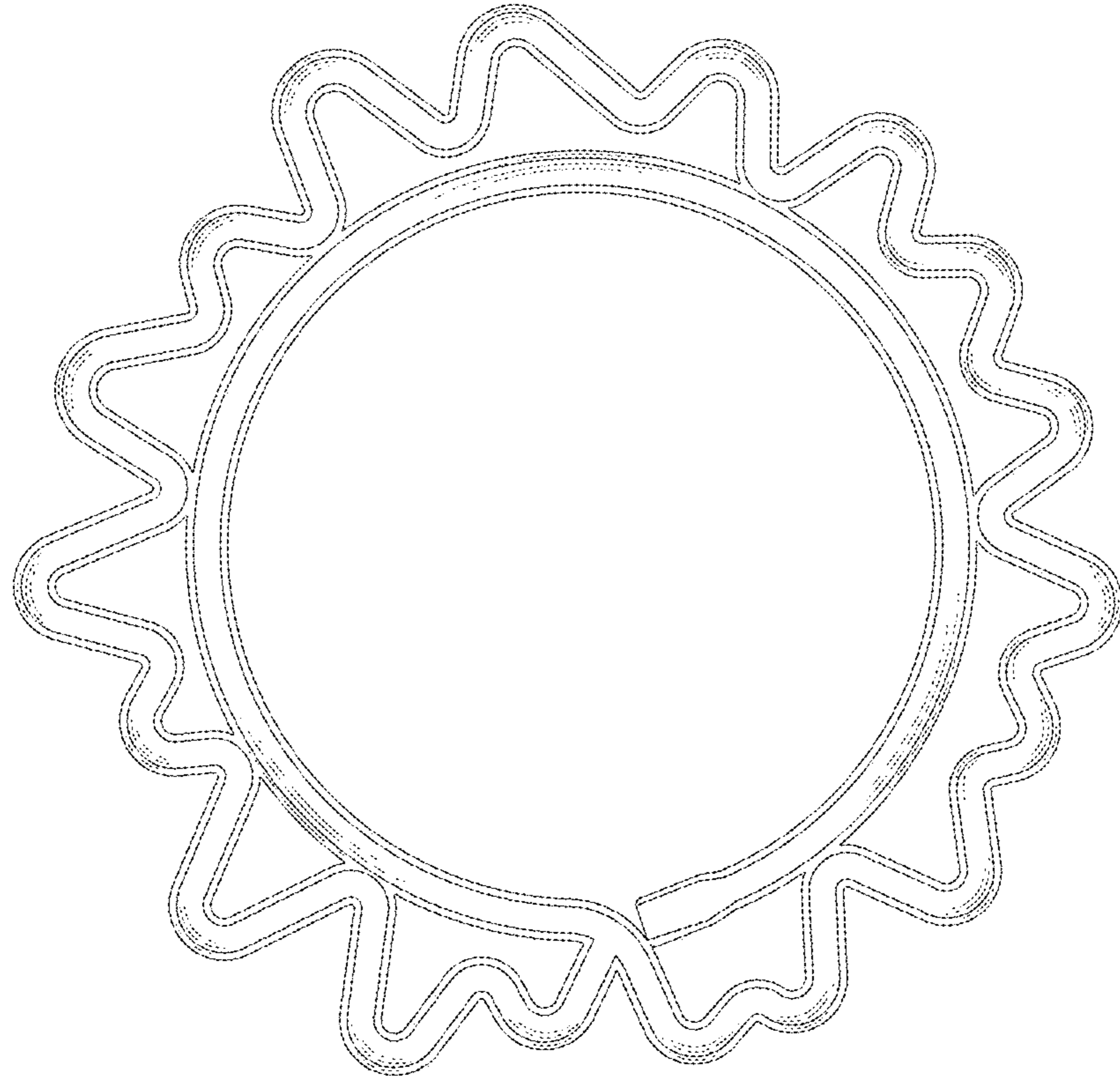


FIG. 3

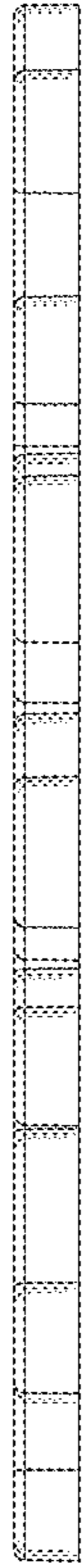


FIG. 4

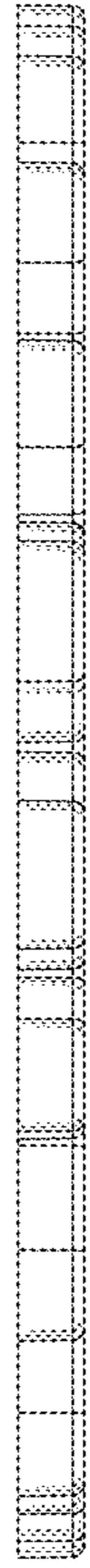


FIG. 5



FIG. 6



FIG. 7