



US00D977571S

(12) **United States Design Patent**
Umemura

(10) **Patent No.:** **US D977,571 S**
(45) **Date of Patent:** **** Feb. 7, 2023**

(54) **MECHANICAL PENCIL**

FOREIGN PATENT DOCUMENTS

- (71) Applicant: **Pentel Kabushiki Kaisha**, Tokyo (JP)
- (72) Inventor: **Nao Umemura**, Tokyo (JP)
- (73) Assignee: **Pentel Kabushiki Kaisha**, Tokyo (JP)
- (**) Term: **15 Years**

JP	D1502712	*	7/2014
JP	D1551007	*	6/2016
KR	301056737.0000	*	4/2020
KR	301065308.0000	*	7/2020
KR	301065309.0000	*	7/2020

* cited by examiner

(21) Appl. No.: **29/738,737**

Primary Examiner — Garth Rademaker
Assistant Examiner — Laura H Yu

(22) Filed: **Jun. 19, 2020**

(74) *Attorney, Agent, or Firm* — Banner & Witcoff, Ltd.

(30) **Foreign Application Priority Data**

(57) **CLAIM**

Dec. 20, 2019 (JP) 2019-028337
 Dec. 20, 2019 (JP) 2019-028338

The ornamental design for a mechanical pencil, as shown and described.

(51) **LOC (14) Cl.** **19-06**

DESCRIPTION

(52) **U.S. Cl.**
USPC **D19/173**; D19/917; D19/921

FIG. 1 is a perspective view of a mechanical pencil showing my new design in accordance with a first embodiment;

(58) **Field of Classification Search**

USPC D19/115–204, 916, 917, 921; D14/411
 CPC B43K 25/028; B43K 21/22; B43K 5/005;
 B43K 7/12; B43K 8/04; B43K 8/06;
 B43K 19/00; B43K 19/02; B43K 19/14;
 B43K 21/006; B43K 21/06

FIG. 2 is a front view thereof;

See application file for complete search history.

FIG. 3 is a rear view thereof;

(56) **References Cited**

U.S. PATENT DOCUMENTS

D421,625 S *	3/2000	Oka	D19/906
D444,499 S *	7/2001	Nakazawa	D19/904
D450,769 S *	11/2001	Nishida	D19/906
D489,404 S *	5/2004	Nakazawa	D19/906
D506,504 S *	6/2005	Nakazawa	D19/934
D506,780 S *	6/2005	Nakazawa	D19/906
D586,393 S *	2/2009	Nishida	D19/906
D603,897 S *	11/2009	Nakazawa	D19/906
D724,669 S *	3/2015	Nakazawa	D19/172

FIG. 4 is a left side view thereof;

FIG. 5 is a right side view thereof;

FIG. 6 is a top view thereof;

FIG. 7 is a bottom view thereof;

FIG. 8 is an enlarged left side view thereof;

FIG. 9 is an enlarged right side view thereof;

FIG. 10 is a perspective view of a mechanical pencil showing my new design in accordance with a second embodiment;

FIG. 11 is a front view thereof;

FIG. 12 is a rear view thereof;

FIG. 13 is a left side view thereof;

FIG. 14 is a right side view thereof;

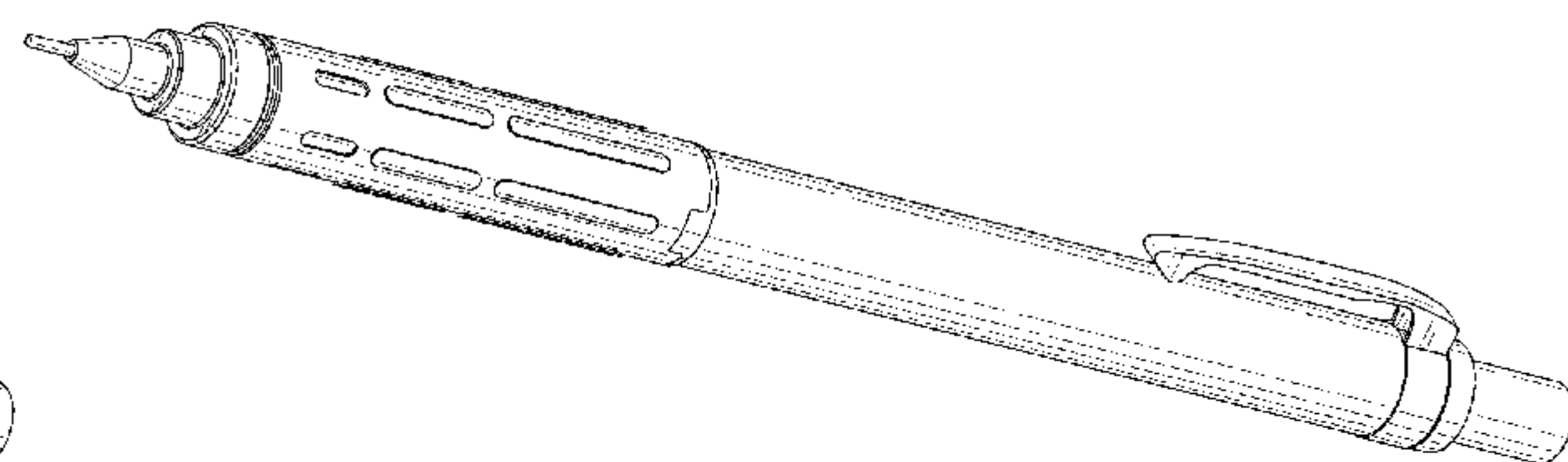
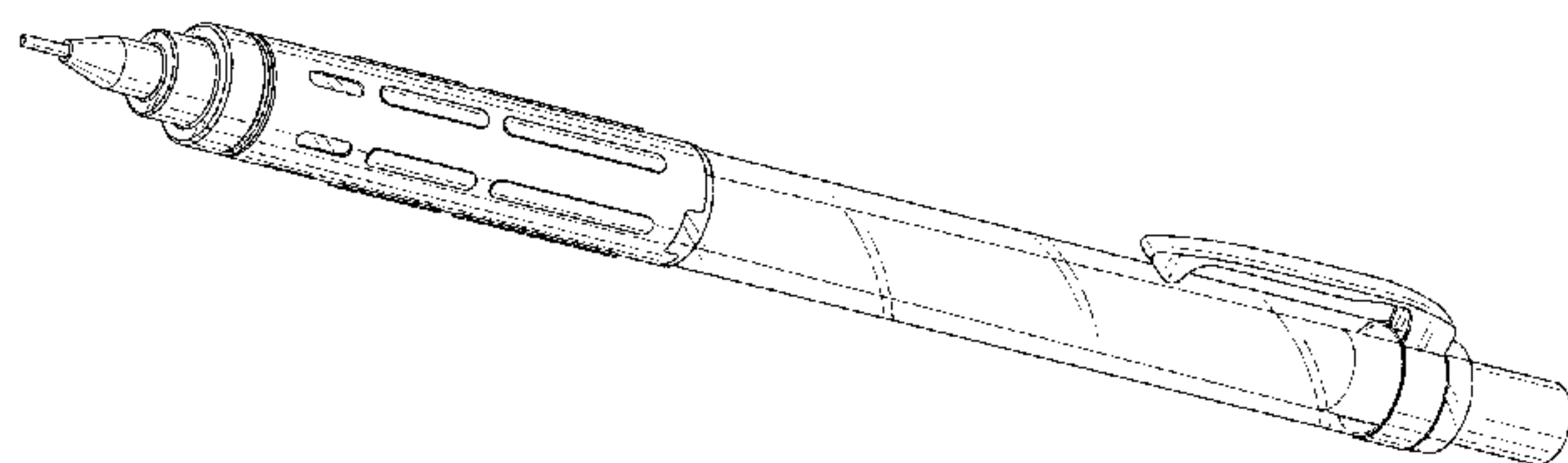
FIG. 15 is a top view thereof;

FIG. 16 is a bottom view thereof;

FIG. 17 is an enlarged left side view thereof; and,

FIG. 18 is an enlarged right side view thereof.

1 Claim, 6 Drawing Sheets



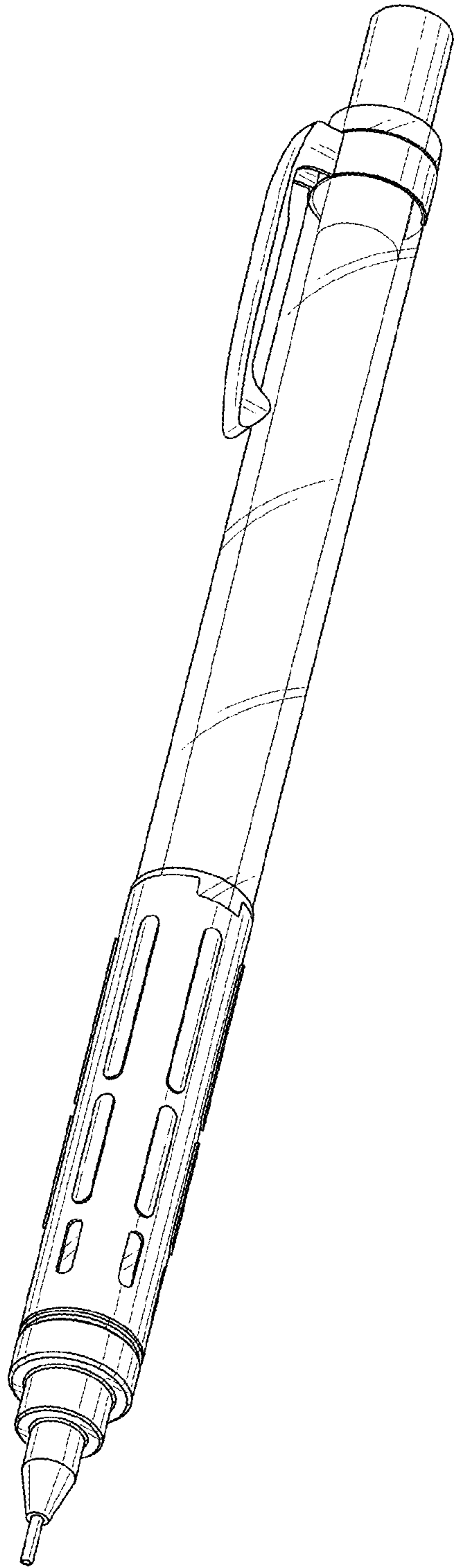


FIG. 1

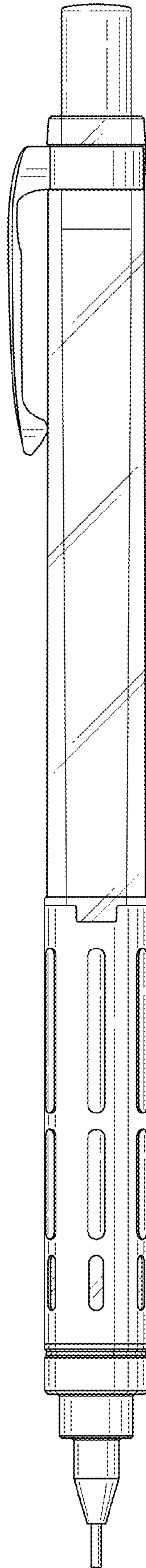


FIG. 2

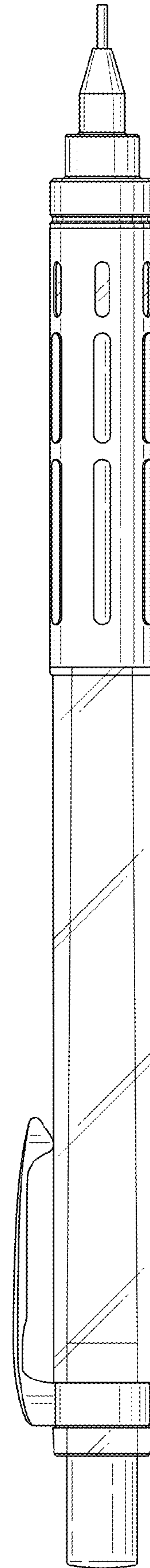


FIG. 3

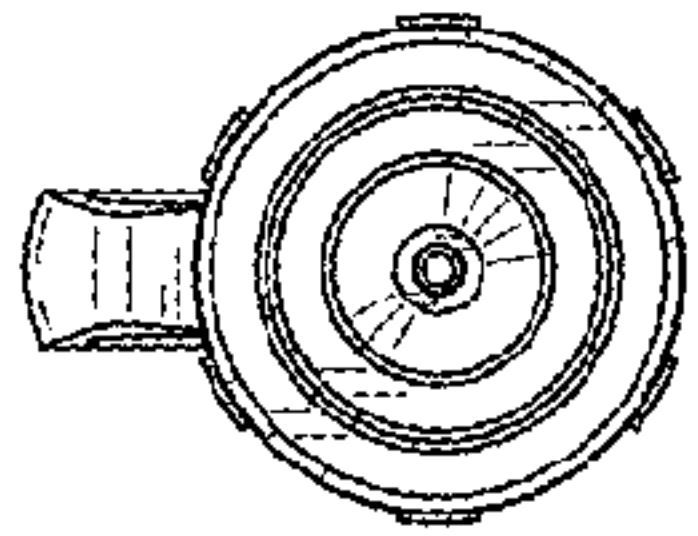


FIG. 4

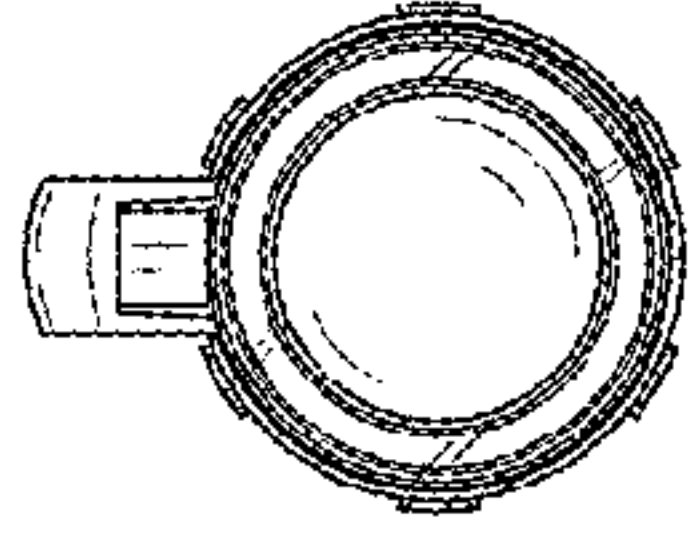


FIG. 5

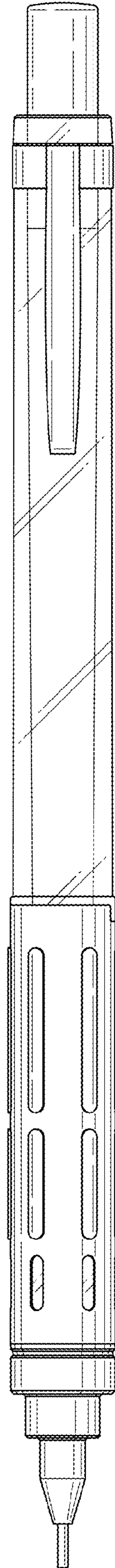


FIG. 6

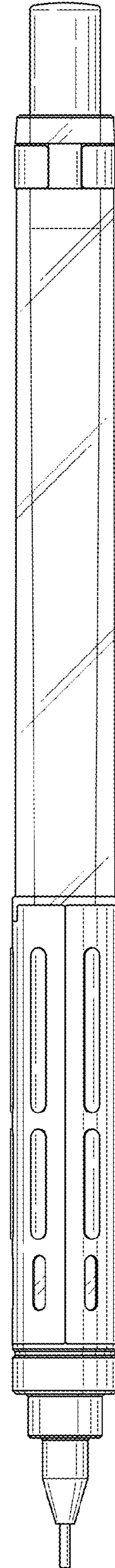


FIG. 7

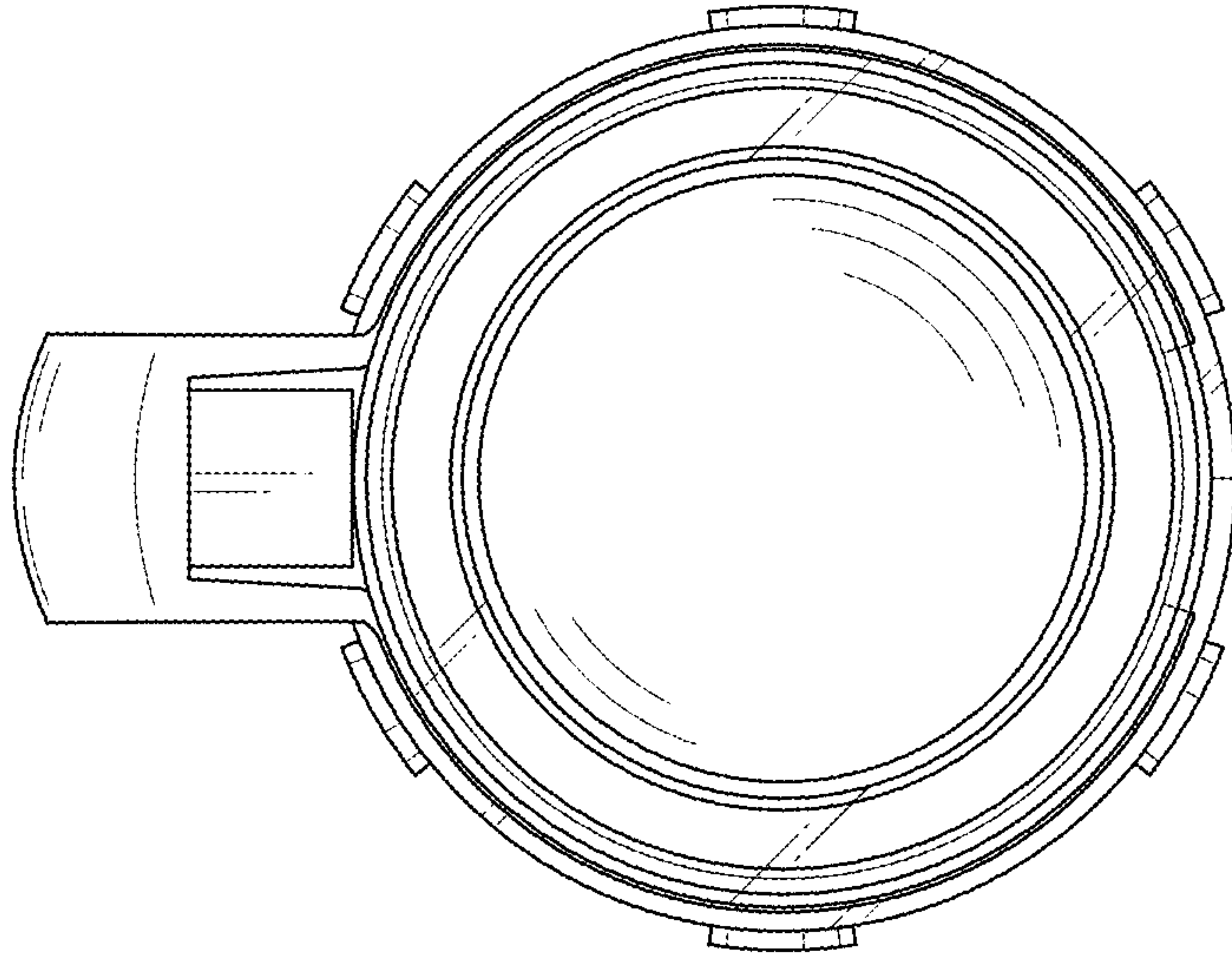


FIG. 9

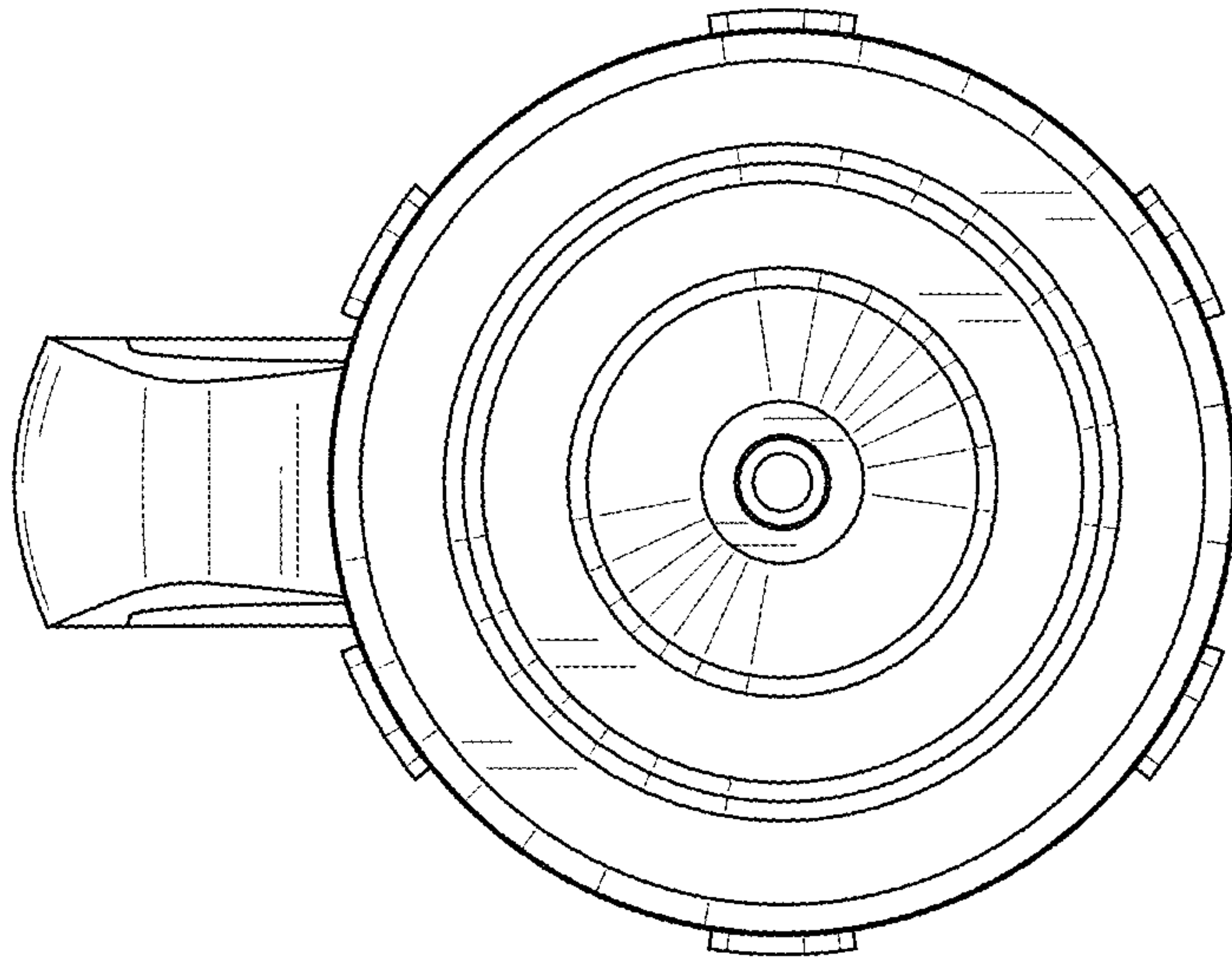


FIG. 8

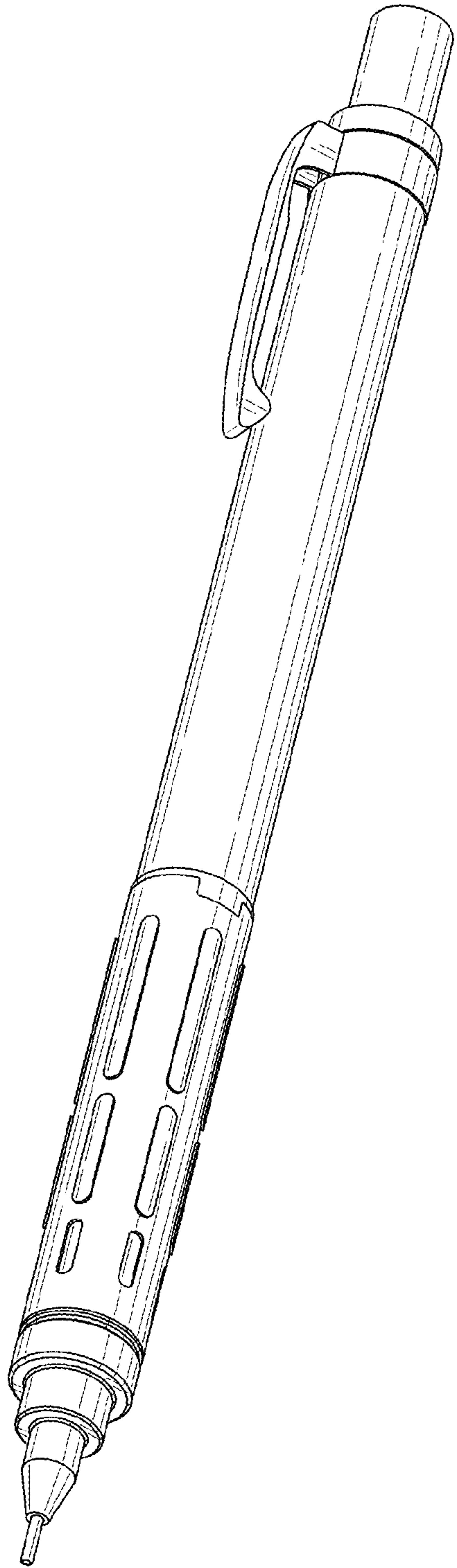


FIG. 10

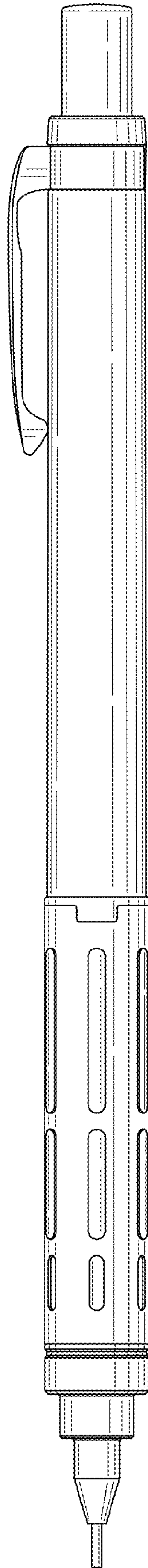


FIG. 11

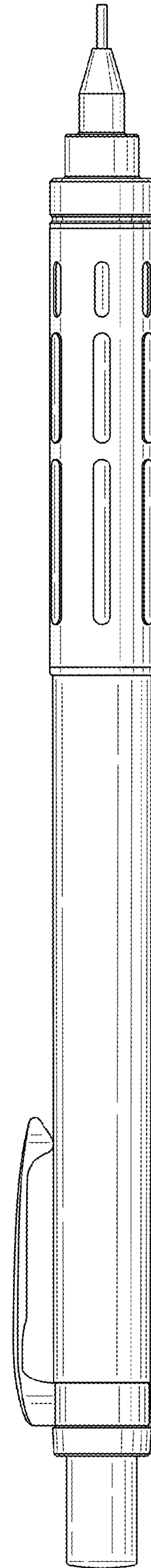


FIG. 12

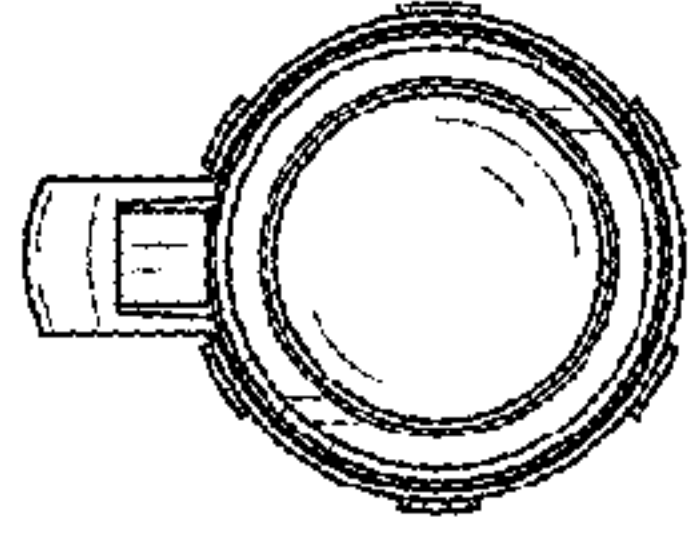


FIG. 13

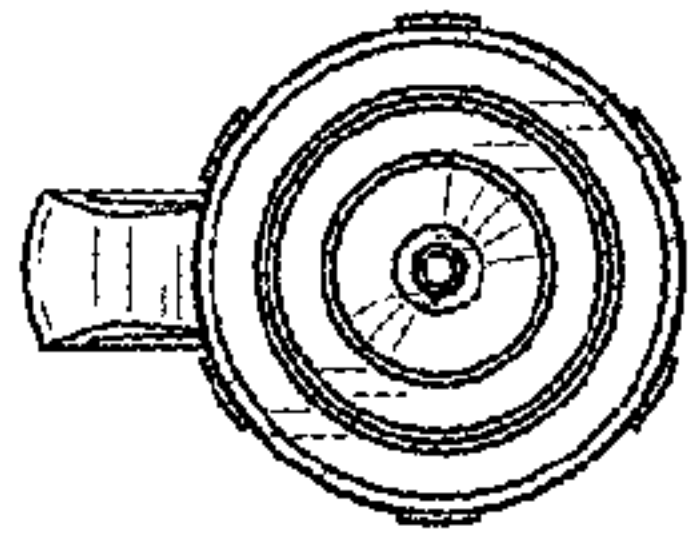


FIG. 14

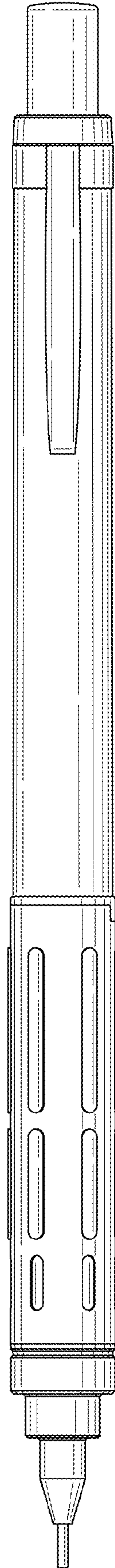


FIG. 15

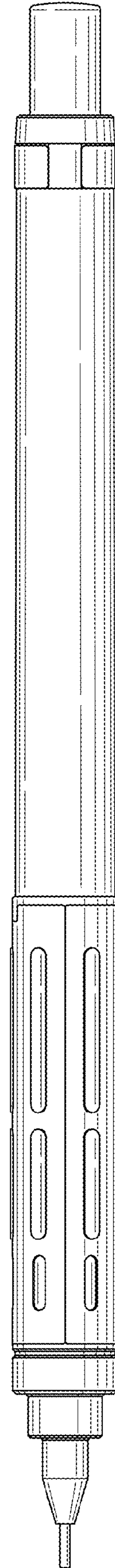


FIG. 16

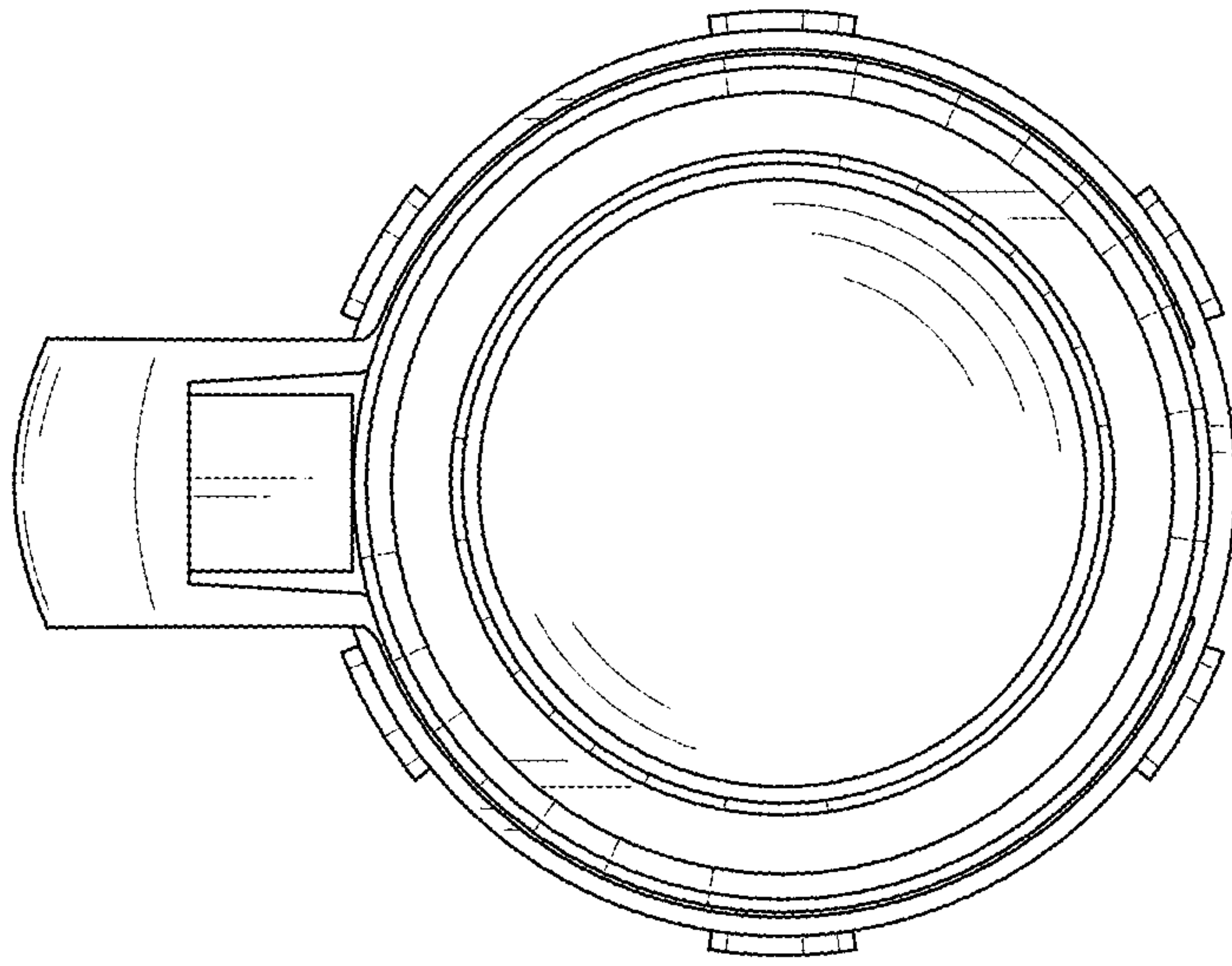


FIG. 18

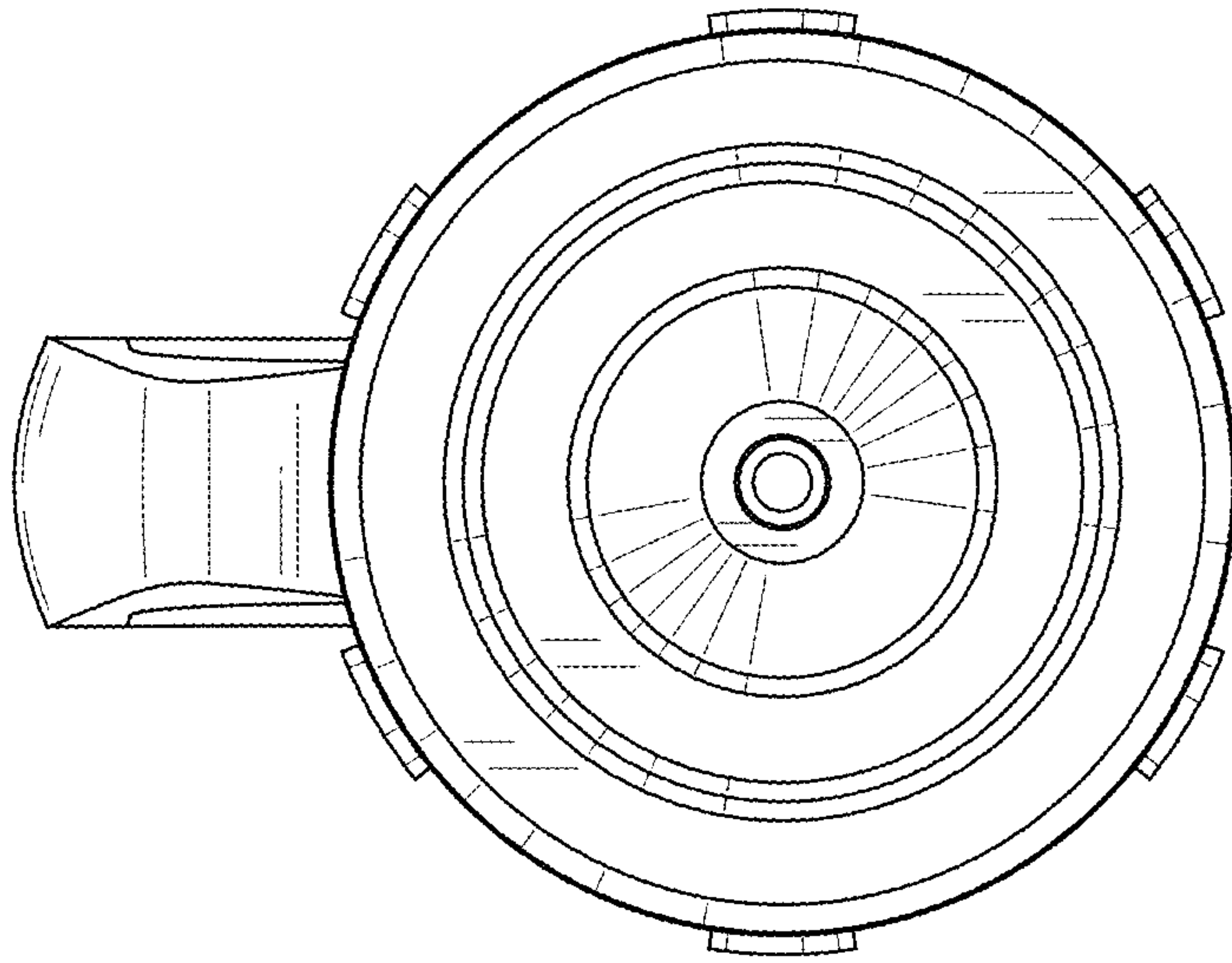


FIG. 17