



US00D977570S

(12) **United States Design Patent** (10) **Patent No.:** **US D977,570 S**
Dai (45) **Date of Patent:** **** Feb. 7, 2023**

(54) **DESK ORGANIZER**
(71) Applicant: **Xi'an Future Domain Trading Co., Ltd.**, Xi'an (CN)
(72) Inventor: **Danfeng Dai**, Fujian Province (CN)
(73) Assignee: **XI'AN FUTURE DOMAIN TRADING CO., LTD.**, Xi'an (CN)

D702,975 S * 4/2014 Stanavich D6/683.1
D795,585 S * 8/2017 Serimian D3/313
D796,234 S * 9/2017 Thaler D6/675
D851,402 S * 6/2019 Best D3/304
D867,025 S * 11/2019 Domic D6/671.1
D875,476 S * 2/2020 Tuang D7/600.4
D922,483 S * 6/2021 Liu
D966,760 S * 10/2022 Scherer D6/675.1

(**) Term: **15 Years**
(21) Appl. No.: **29/847,671**

FOREIGN PATENT DOCUMENTS
CN 301945395 * 6/2012
CN 303638106 * 4/2016

(22) Filed: **Jul. 27, 2022**
(51) **LOC (14) Cl.** **19-02**
(52) **U.S. Cl.**
USPC **D19/92**
(58) **Field of Classification Search**
USPC D19/75-92, 99, 135; D3/206, 304, 306,
D3/310, 315; D6/675, 675.1, 671.1;
D7/637-641, 600.3, 600.4; D9/432
CPC .. B43M 99/00; B43M 99/001; B43M 99/008;
B43M 99/009; B43M 99/003; B43M
99/006; B43M 99/007; A45C 11/34;
A45C 11/36; A45F 2200/0566; A45F
2200/0575; Y10S 312/902; B42D 3/12;
B42D 3/16; B42D 3/18; B43K 23/001;
B43K 23/002; A47B 55/00; A47B 63/00
See application file for complete search history.

OTHER PUBLICATIONS
Amazon. Link: <https://www.amazon.com/dp/B08HYFMMB3/>. Sep. 14, 2020. Hynawin Bamboo Desktop Organizer with Drawers. (Year: 2020).*

(Continued)

Primary Examiner — Lauren D McVey

(57) **CLAIM**

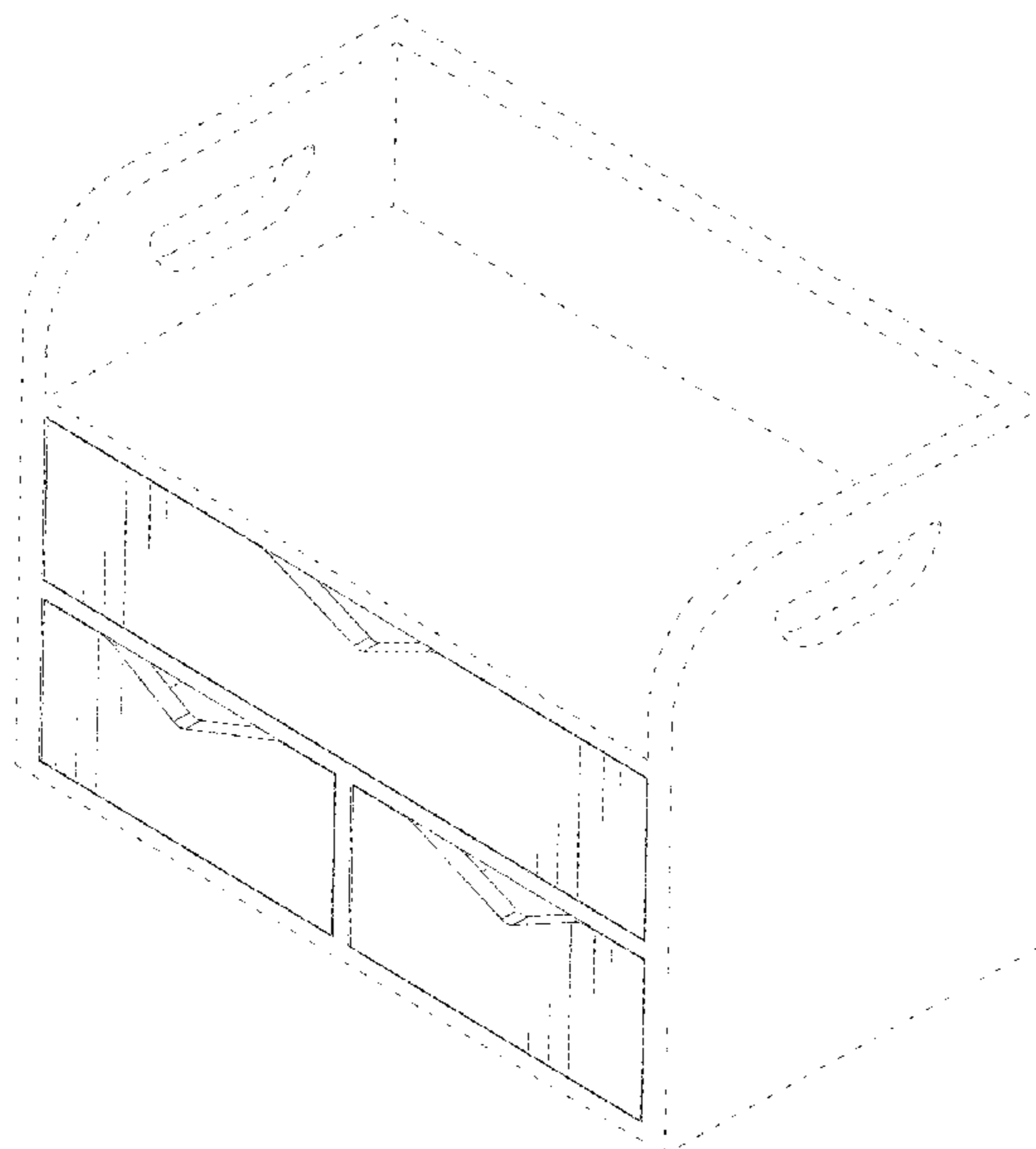
The ornamental design for a desk organizer, as shown and described.

DESCRIPTION

FIG. 1 is a front and top perspective view of a desk organizer, showing my new design;
FIG. 2 is a rear and bottom perspective view thereof;
FIG. 3 is a front elevation view thereof;
FIG. 4 is a rear elevation view thereof;
FIG. 5 is a left side elevation view thereof;
FIG. 6 is a right side elevation view thereof;
FIG. 7 is a top plan view thereof; and,
FIG. 8 is a bottom plan view thereof.
The broken lines in the figures illustrate portions of the desk organizer that form no part of the claimed design.

(56) **References Cited**
U.S. PATENT DOCUMENTS
1,458,953 A * 6/1923 Robeson A47B 63/02
312/283
D255,874 S * 7/1980 Fujimoto D6/627
D261,904 S * 11/1981 Polhemus D19/92
D415,906 S * 11/1999 D'Agaro D3/297
D462,874 S * 9/2002 Simcox D3/313
D702,463 S * 4/2014 Stanavich D6/683.1

1 Claim, 8 Drawing Sheets



(56)

References Cited

OTHER PUBLICATIONS

Amazon. Link: https://www.amazon.com/Organizer-Drawers-Tabletop-Organizers-Storage/dp/B09XMMJ2CK/ref=psdc_1069540_t2_B08HYFMMB3. Apr. 8, 2022. Bamboo Desk Organizer with Drawers (Year: 2022).*

Amazon. Link: <https://www.amazon.com/dp/B0B4KL2NH1/>. Jun. 20, 2022. Blu Monaco 6 Compartments White Wooden Pen Organizer (Year: 2022).*

Wayfair. Link: <https://www.wayfair.com/storage-organization/pdp/inbox-zero-desk-organizer-w004036035.html>. Visited Nov. 30, 2022. Desk Organizer by Inbox Zero. (Year: 2022).*

* cited by examiner

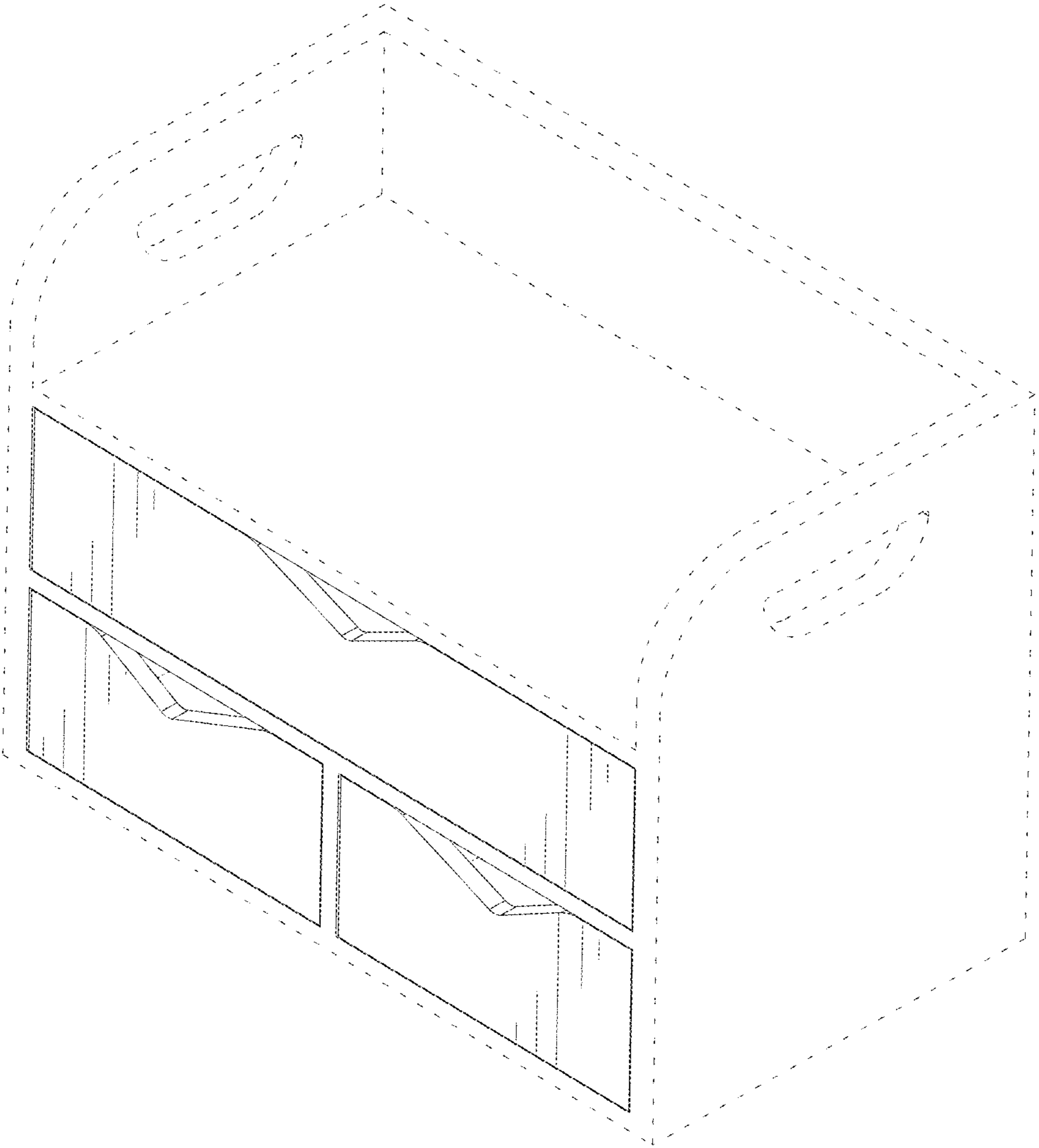


FIG. 1

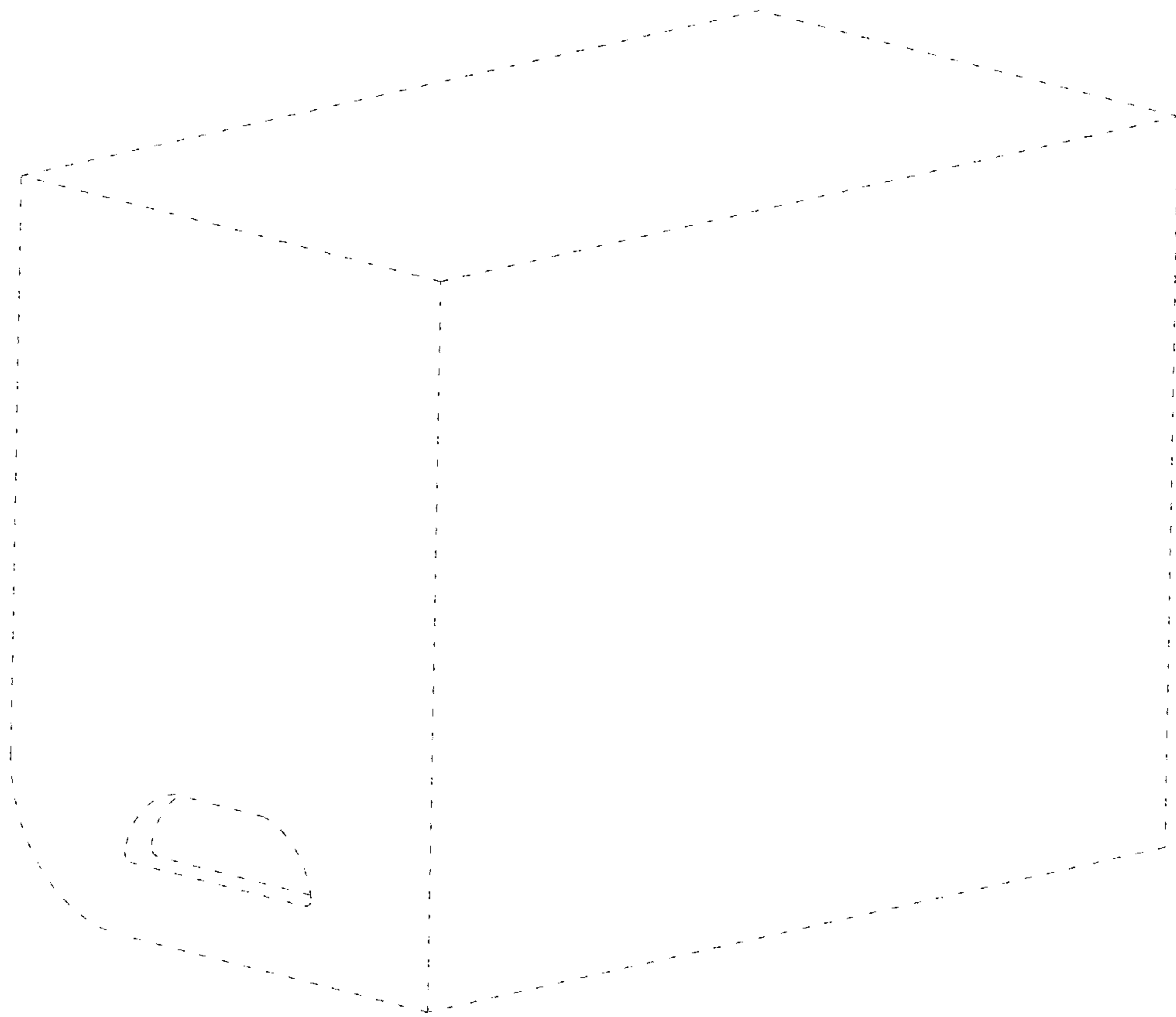


FIG.2

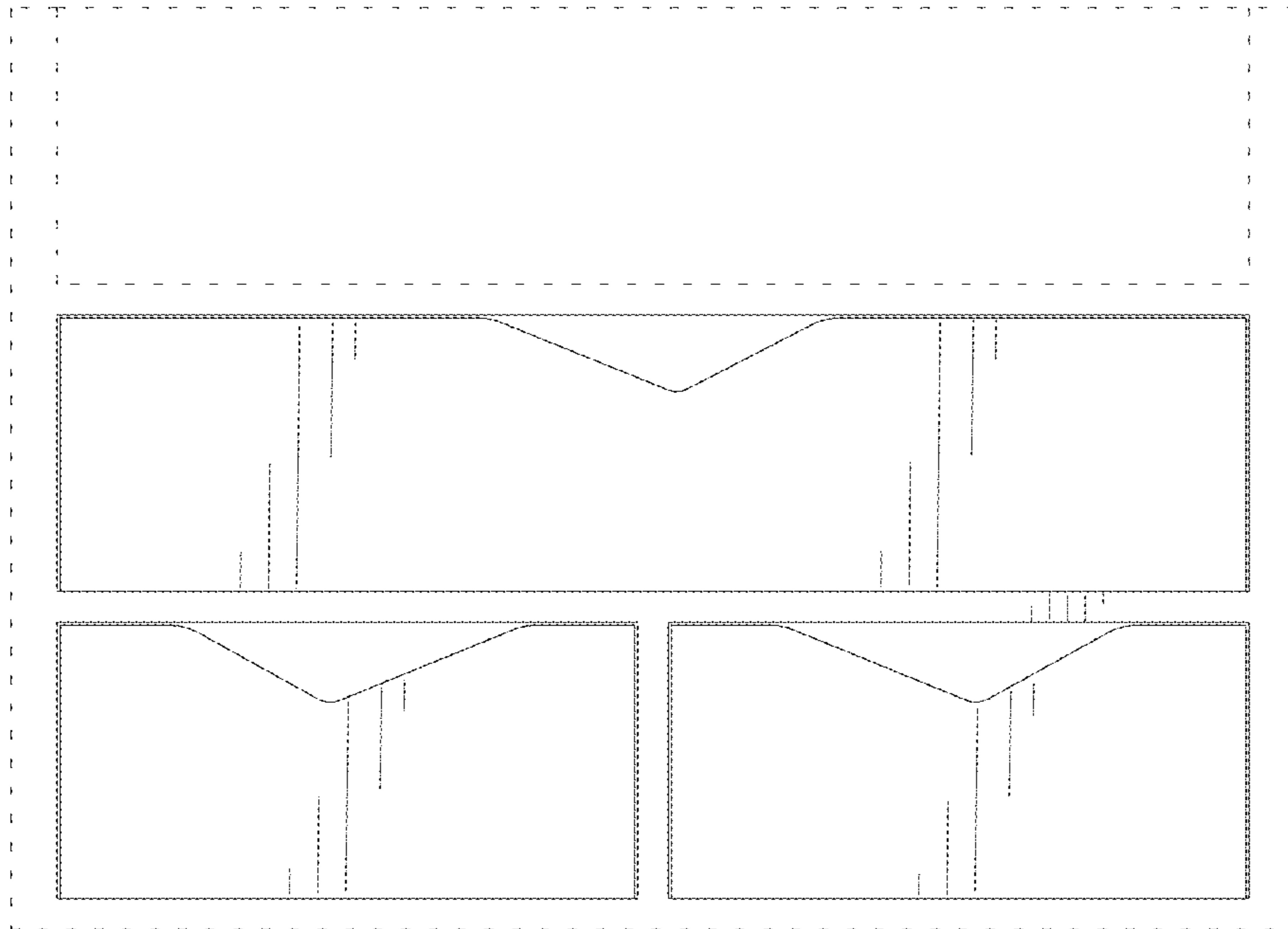


FIG. 3

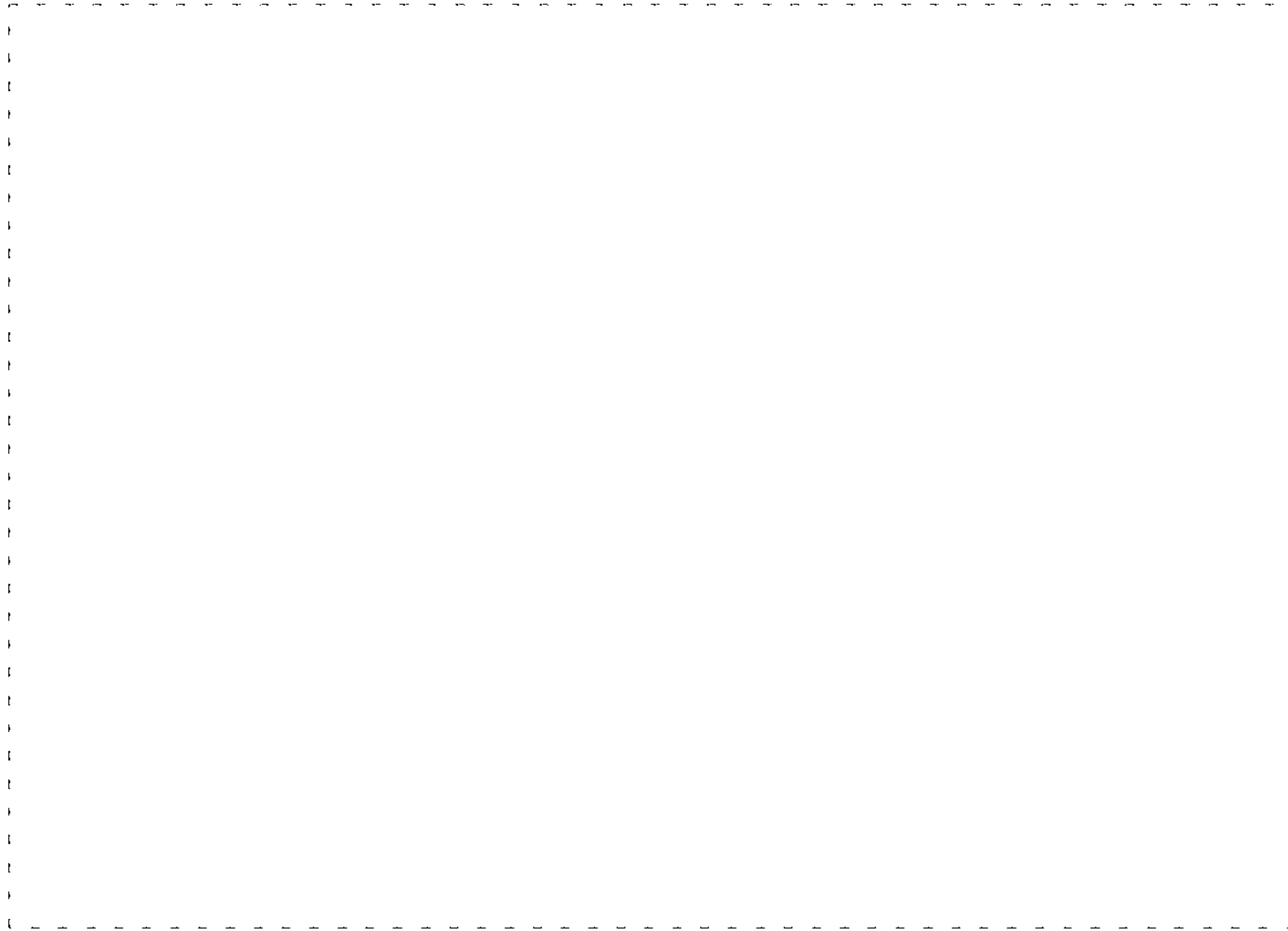


FIG.4

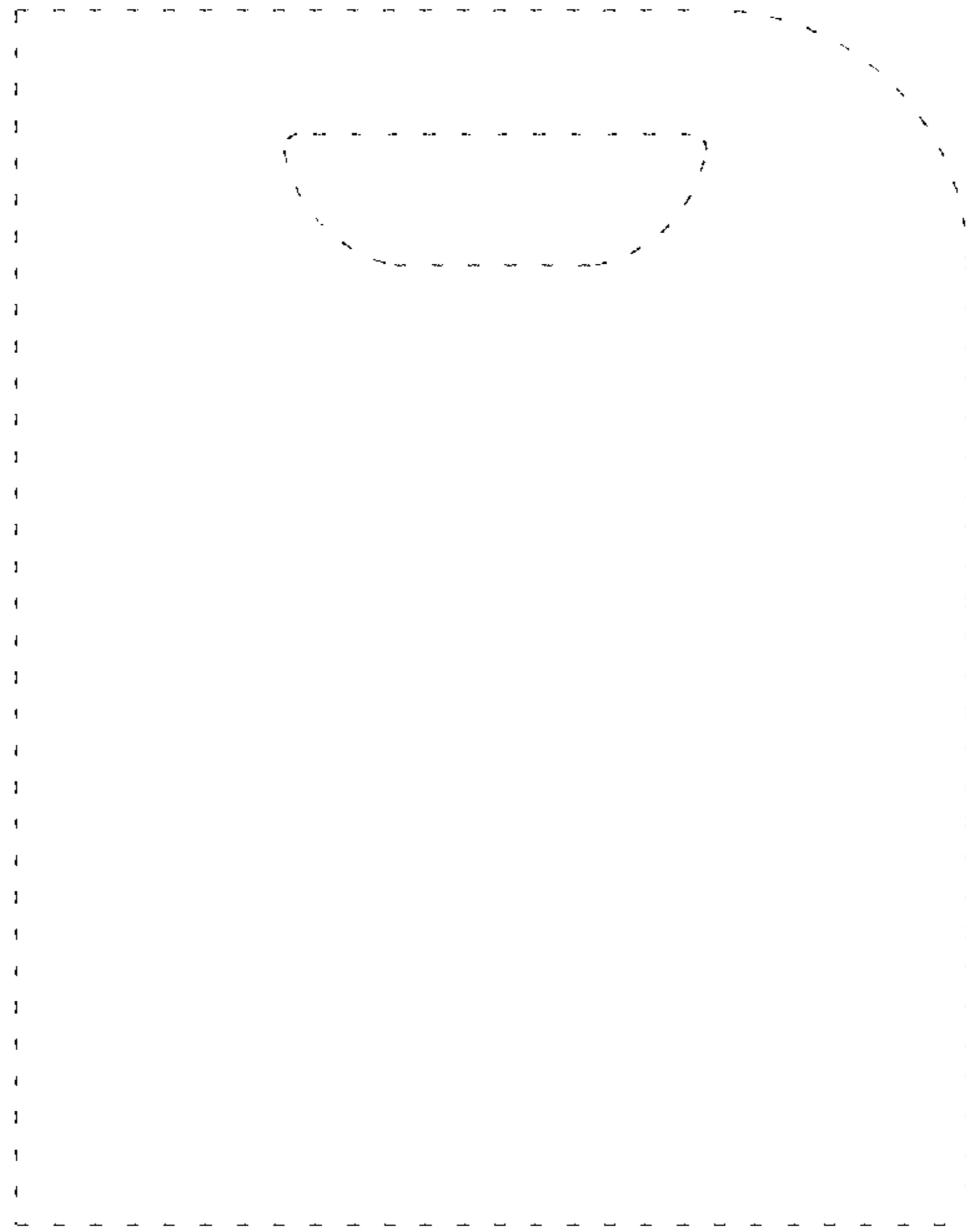


FIG. 5

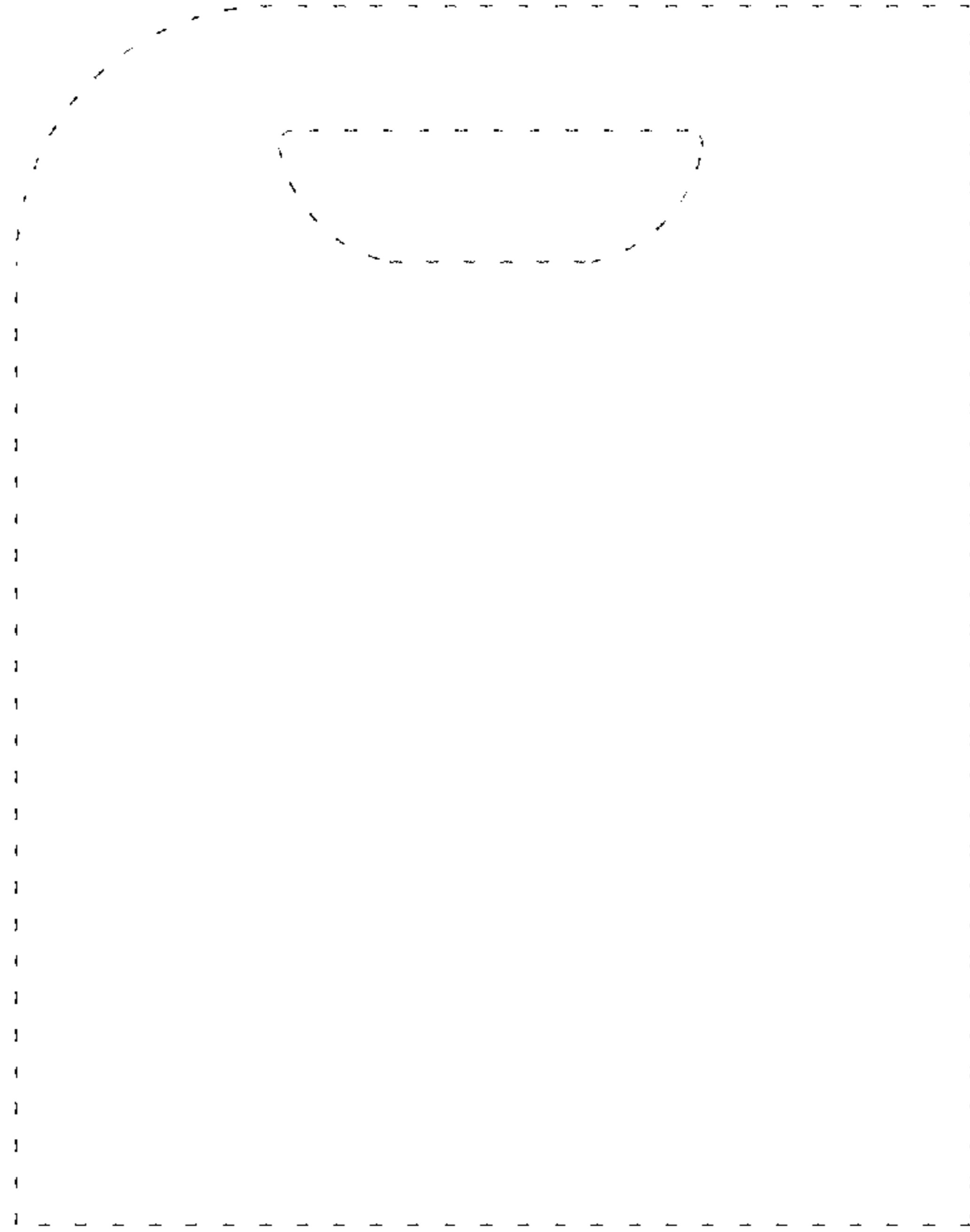


FIG. 6



FIG.7

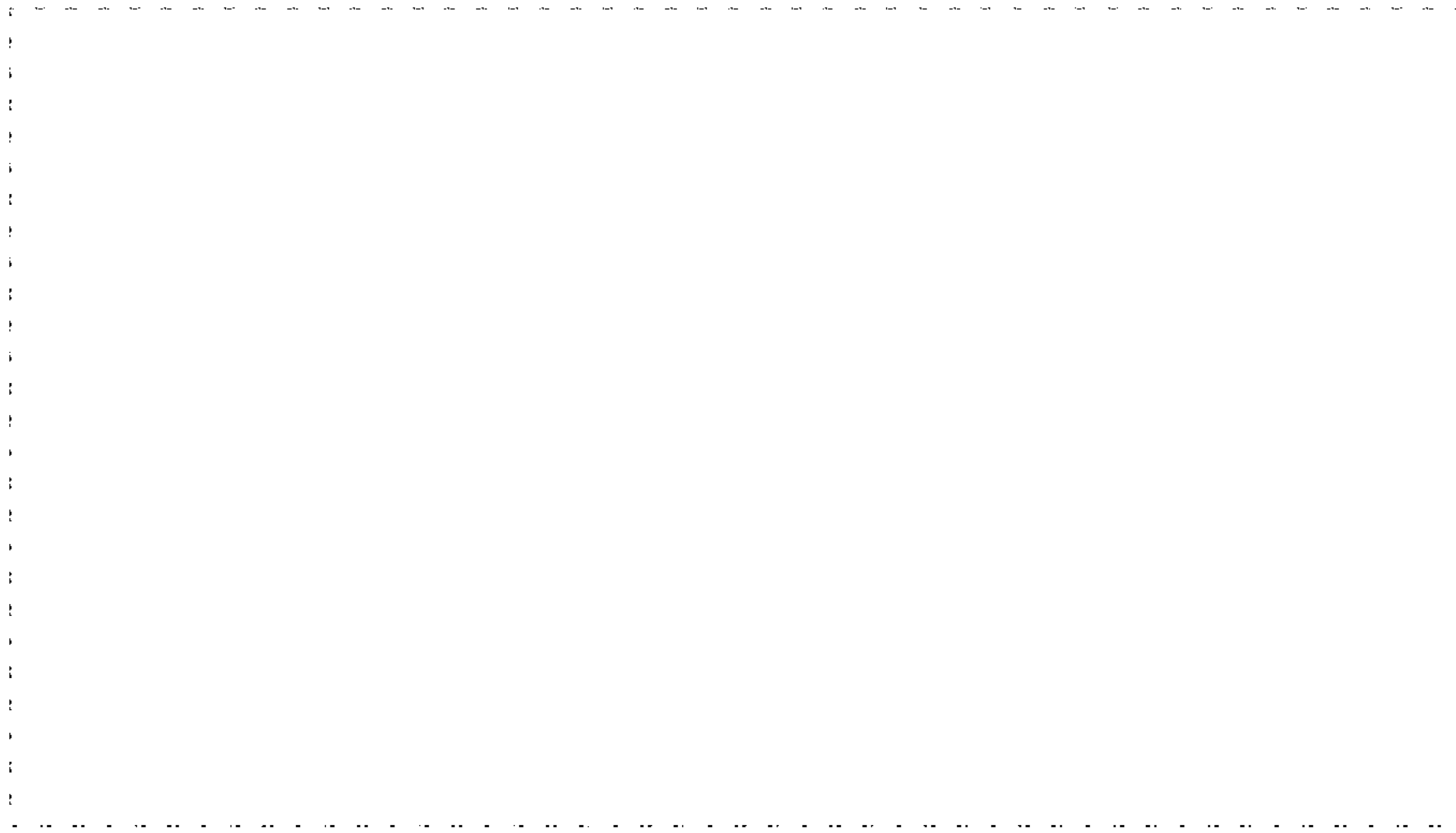


FIG.8