

US00D977565S

(12) **United States Design Patent** (10) **Patent No.:** **US D977,565 S**
Meraz et al. (45) **Date of Patent:** **** Feb. 7, 2023**

(54) **PAYMENT CARD WITH A BOX**

- (71) Applicant: **Visa International Service Association**, San Francisco, CA (US)
- (72) Inventors: **Salvador Timothy Meraz**, Santa Ana, CA (US); **Amelia Rose Stier**, Inglewood, CA (US); **Julian Schmidt**, Orinda, CA (US); **Danilo Mandari Donato**, Key Biscayne, FL (US)
- (73) Assignee: **Visa International Service Association**, San Francisco, CA (US)
- (**) Term: **15 Years**
- (21) Appl. No.: **29/782,947**
- (22) Filed: **May 10, 2021**

Related U.S. Application Data

- (62) Division of application No. 29/688,505, filed on Apr. 22, 2019.
- (51) **LOC (14) Cl.** **19-08**
- (52) **U.S. Cl.**
USPC **D19/10**
- (58) **Field of Classification Search**
USPC D19/1-10, 20-34; 40/124.01-124.15, 40/661, 776, 726; 283/72, 75-76,
(Continued)

(56) **References Cited**

U.S. PATENT DOCUMENTS

- D522,052 S 5/2006 Lubking
 - D709,128 S 7/2014 Reed et al.
- (Continued)

FOREIGN PATENT DOCUMENTS

- EM 000086152-0025 3/2003
- GB 2063211 2/1997
- KR 300935200 12/2017

OTHER PUBLICATIONS

“Apply for the Best Discover Credit Card for You”, Available online at: <https://www.discover.com/credit-cards/>, Accessed from Internet on Apr. 11, 2019, 4 pages.

(Continued)

Primary Examiner — Abraham Bahta
(74) *Attorney, Agent, or Firm* — Kilpatrick Townsend & Stockton LLP

(57) **CLAIM**

The ornamental design for a payment card with a box, as shown and described.

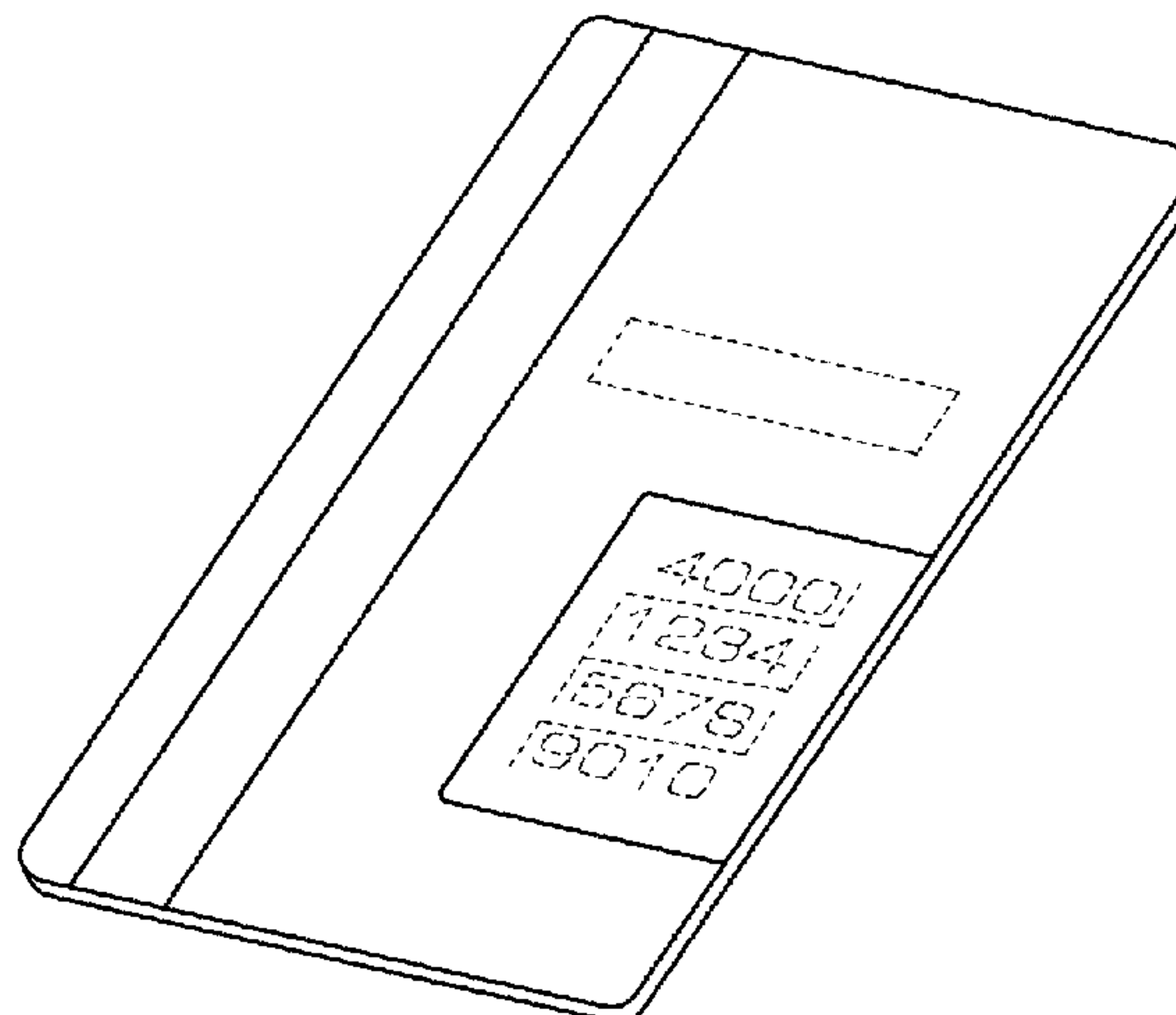
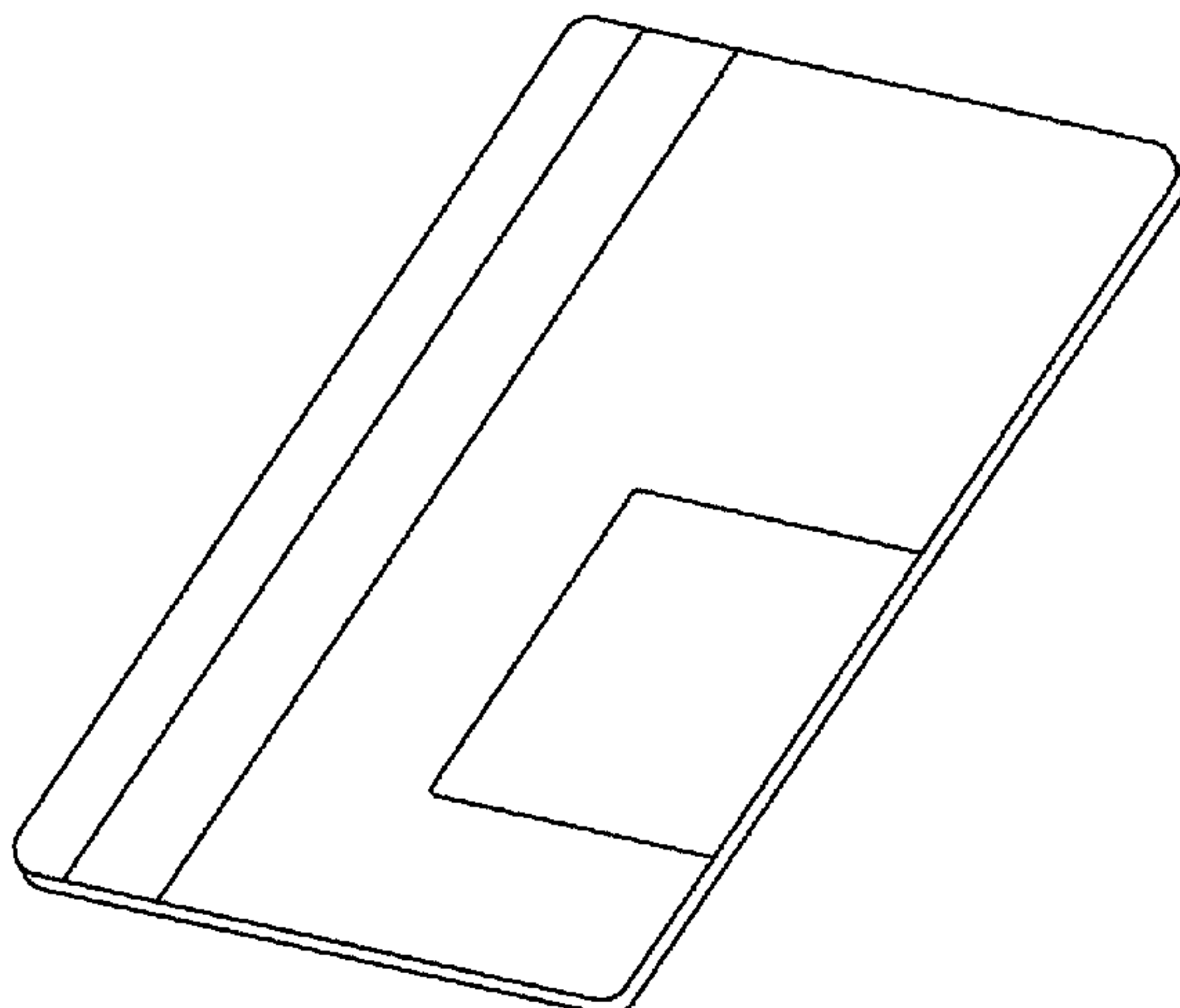
DESCRIPTION

FIG. 1 is a first side perspective view of a first embodiment of a payment card with a box showing our new design; FIG. 2 is a second side view thereof; FIG. 3 is a first side view thereof; FIG. 4 is a top elevational view thereof; FIG. 5 is a bottom elevational view thereof; FIG. 6 is a left side elevational view thereof; FIG. 7 is a right side elevational view thereof; FIG. 8 is a first side perspective view of a second embodiment of a payment card with a box showing our new design; FIG. 9 is a second side view thereof; FIG. 10 is a first side view thereof; FIG. 11 is a top elevational view thereof; FIG. 12 is a bottom elevational view thereof; FIG. 13 is a left side elevational view thereof; and, FIG. 14 is a right side elevational view thereof.

The broken lines in the second embodiment, such as those that depict rectangular shapes, lines, and numbers, do not form part of the claimed design.

The first side may be either the front or the back of the payment card with a box. Likewise, the second side may be either the front or the back. For example, the first side perspective view may be a back side perspective view, the first side view may be a back side view, and the second side view may be a front side view. Alternatively, the first side perspective view may be a front side perspective view, the

(Continued)



first side view may be a front side view, and the second side view may be a back side view.

Color may or may not form part of the claimed design. Gradients or degrees of contrast or saturation that impart a tone may or may not form part of the claimed design. Accordingly, portions of the illustrated payment card with a box may appear in one or more color, in one or more tone, or with one or more visual characteristics that differ in color and/or tone.

It should be appreciated that the nature of the claimed design may include variations from the presently illustrated design, having a substantially similar scope appropriate to the claimed design, within the bounds of the claimed region of the design, and using the same box presented in the ornamental layout of the claimed design.

1 Claim, 2 Drawing Sheets

(58) **Field of Classification Search**

USPC 283/105–107, 82, 70, 904, 74; 206/449; D21/385; D20/10–11, 22, 27, 40, 42; 360/2; 235/380, 382
 CPC B42D 15/00; B42D 15/022; B42D 15/027; B42D 15/045; B42D 15/047; B42D 25/00; B42D 25/20; B42D 25/23; B42D 25/26; B42D 25/29; B42D 25/30; B42D 25/40; B42D 25/22; B42D 2033/02; B42D 2033/04; B42D 2033/08; B42D 2033/10; B42D 2033/16; B42D 2033/18;

B42D 2033/20; B42D 2033/28; B42D 2033/30

See application file for complete search history.

(56)

References Cited

U.S. PATENT DOCUMENTS

D710,440 S	8/2014	Reed et al.	
D710,938 S	8/2014	Reed et al.	
D716,824 S	11/2014	Reed et al.	
D725,188 S	3/2015	Sippola et al.	
D725,701 S	3/2015	Sippola et al.	
D765,177 S	8/2016	Hewitt et al.	
D852,807 S	7/2019	Reed et al.	
D921,750 S *	6/2021	Meraz	D19/10
D929,499 S *	8/2021	Meraz	D19/10
2013/0091044 A1	4/2013	Reed et al.	

OTHER PUBLICATIONS

Harkness, “Review of the Discover it® Credit Card”, Available online at: <https://www.creditcardinsider.com/reviews/review-discover-it-credit-card/>, Dec. 18, 2017, 20 pages.
 “Payment Card With a Notch”, Design U.S. Appl. No. 29/688,506, filed Apr. 22, 2019.
 “Payment Card With a Box”, Design U.S. Appl. No. 29/669,085, filed Nov. 5, 2018.
 “Payment Card With a Notch”, Design U.S. Appl. No. 29/669,086, filed Nov. 5, 2018.
 Non-Final Office Action for Design U.S. Appl. No. 29/669,086 dated Oct. 28, 2020, 8 pages.
 Ex Parte Quayle Action for Design U.S. Appl. No. 29/669,085 mailed on Sep. 11, 2020, 9 pages.

* cited by examiner

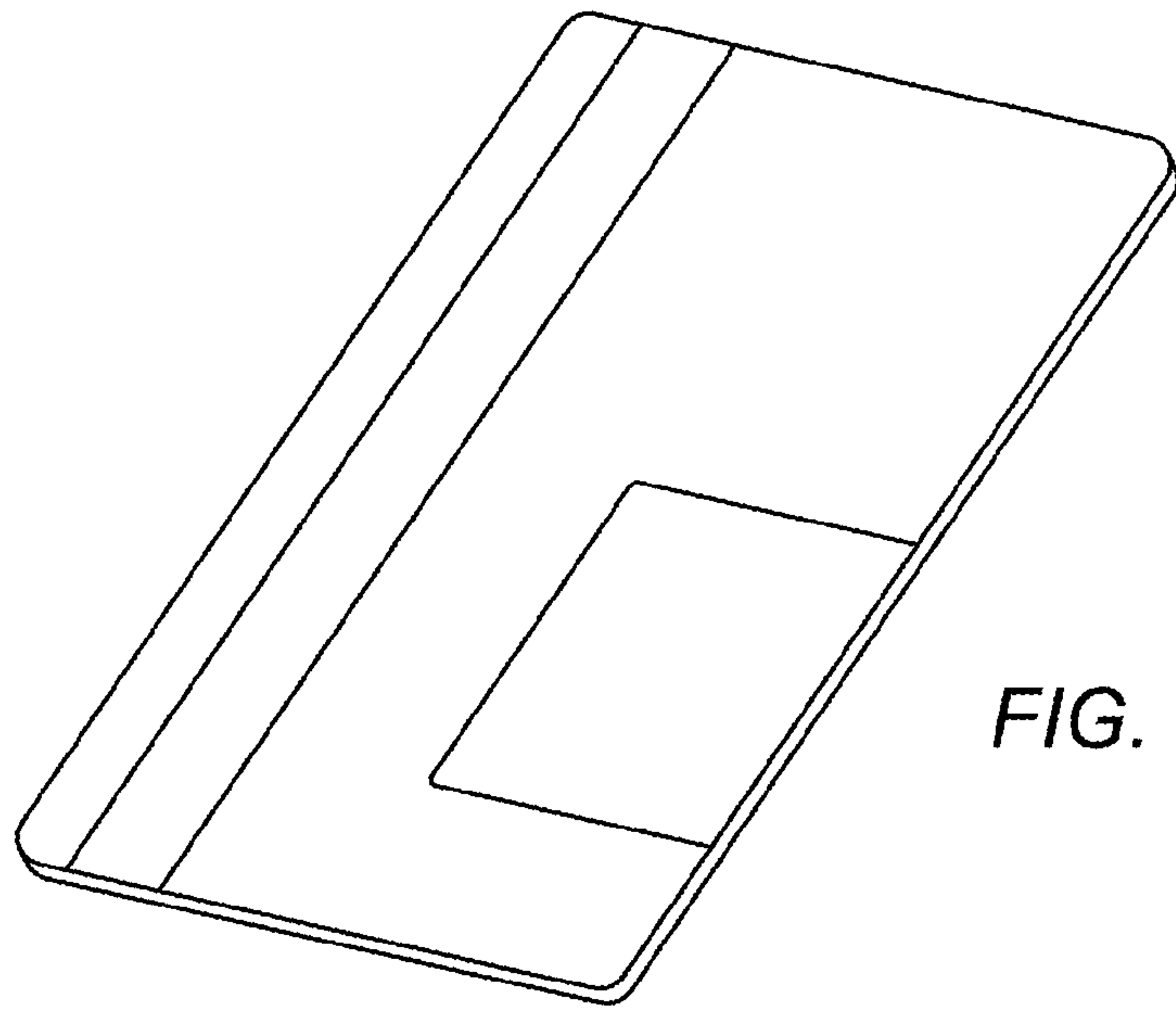


FIG. 1

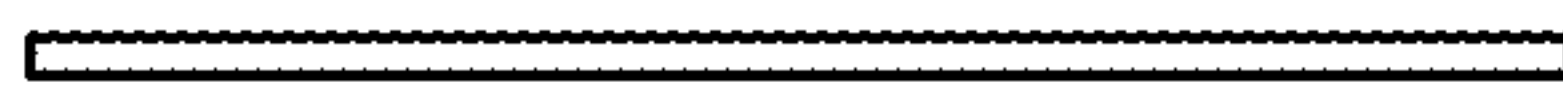


FIG. 4

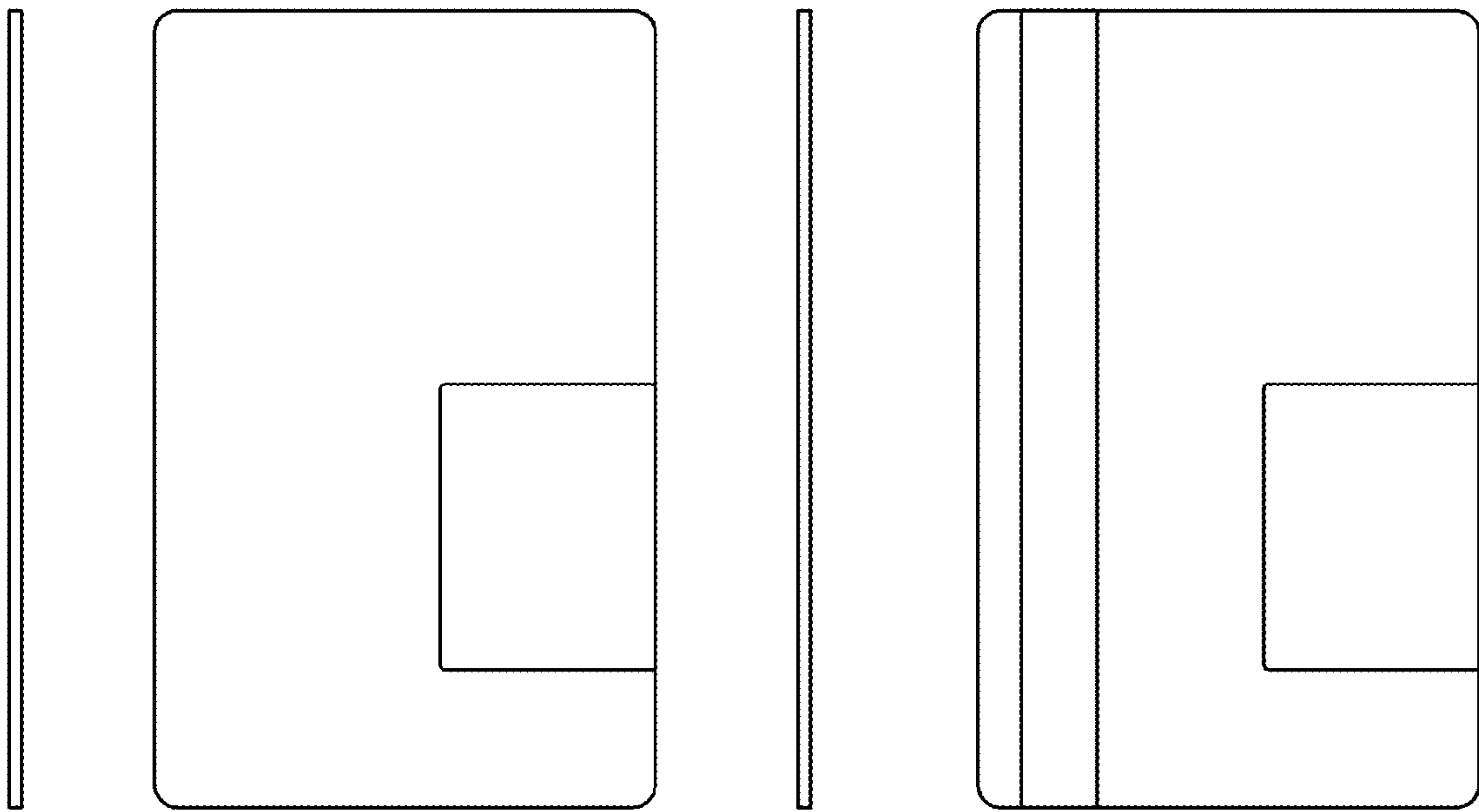


FIG. 6

FIG. 2

FIG. 7

FIG. 3



FIG. 5

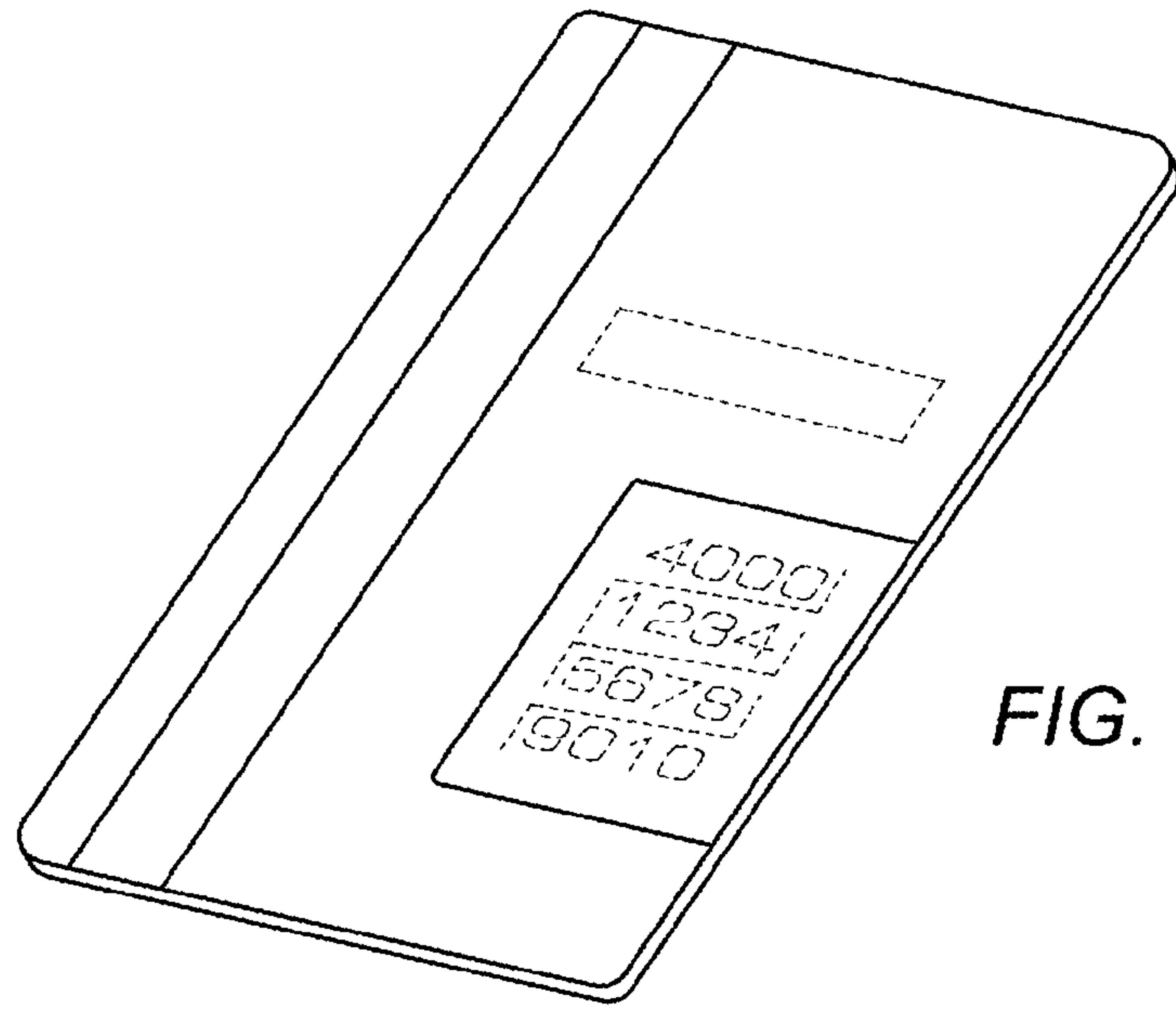


FIG. 8

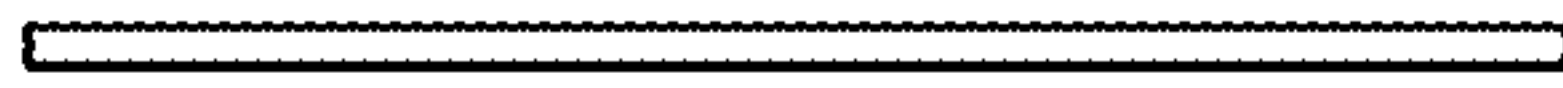


FIG. 11

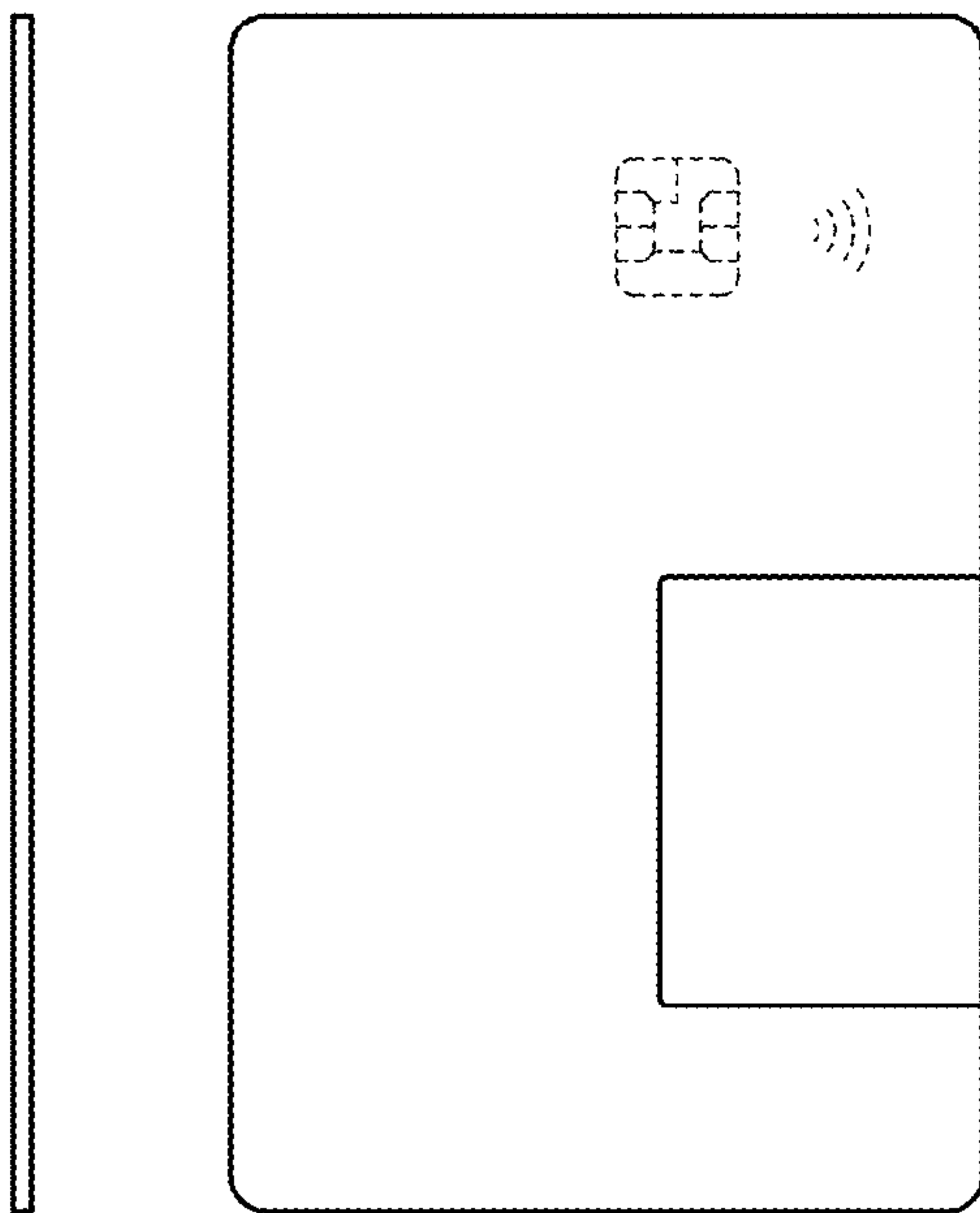


FIG. 9

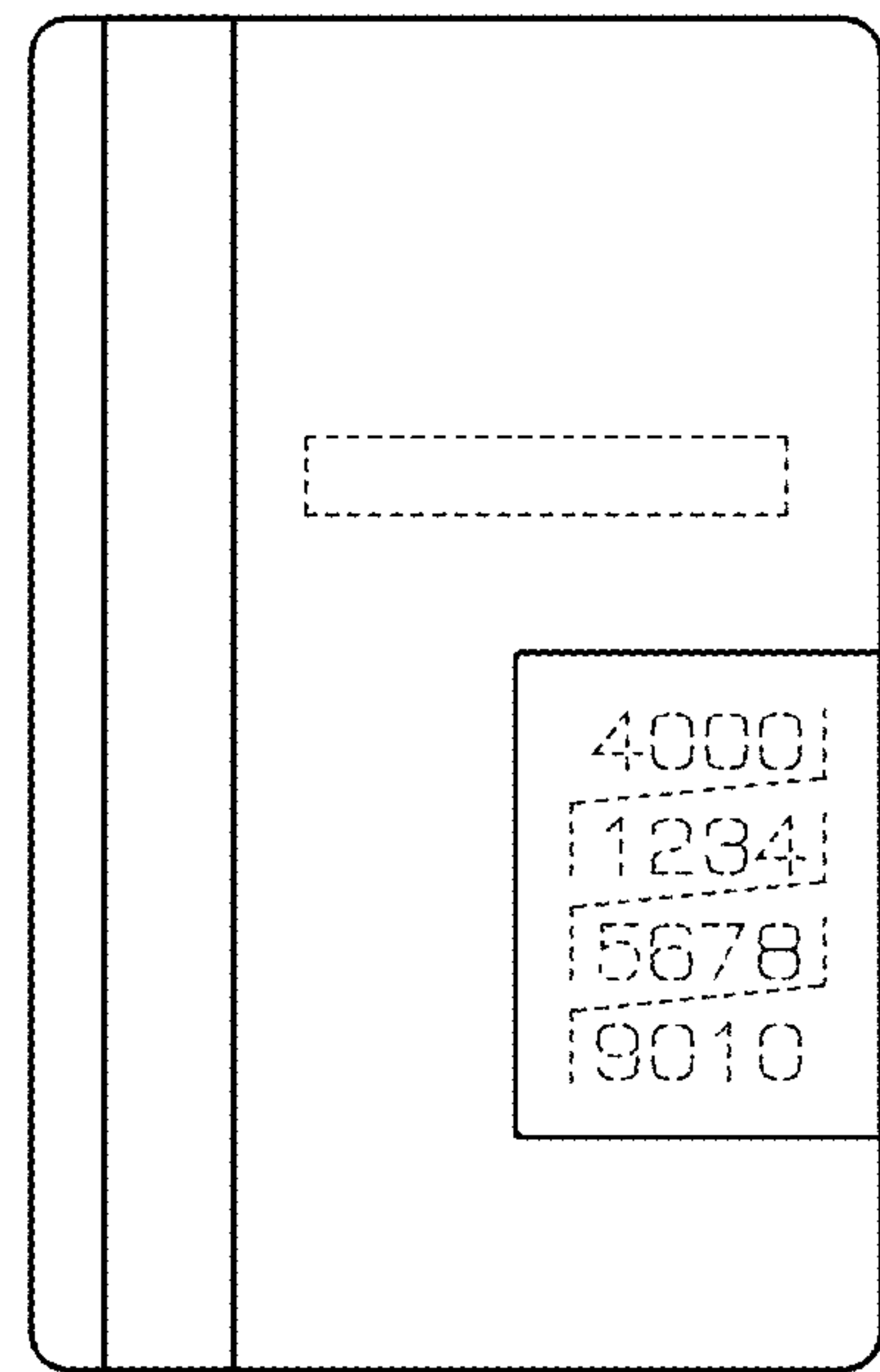


FIG. 10



FIG. 13



FIG. 14



FIG. 12