



US00D977556S

(12) **United States Design Patent** (10) **Patent No.:** **US D977,556 S**
Li (45) **Date of Patent:** **** Feb. 7, 2023**

(54) **HANDLED PHOTOGRAPHY LAMP**

(71) Applicant: **Zhi Li**, Maoming (CN)

(72) Inventor: **Zhi Li**, Maoming (CN)

(**) Term: **15 Years**

(21) Appl. No.: **29/765,265**

(22) Filed: **Jan. 7, 2021**

(51) **LOC (14) Cl.** **16-05**

(52) **U.S. Cl.**
USPC **D16/237; D26/42**

(58) **Field of Classification Search**
USPC D26/24, 37, 42, 69, 72, 74, 75, 76, 85,
D26/92, 93, 104, 105, 106, 110, 112,
D26/120; D16/219, 237, 238, 239, 240,
D16/250

CPC F21S 8/02; F21S 8/033; F21S 8/036; F21S
8/04; F21S 8/085

See application file for complete search history.

(56) **References Cited**

U.S. PATENT DOCUMENTS

| | | | | |
|-------------------|---------|------------|-------|-----------------------|
| D282,585 S * | 2/1986 | Yuen | | D26/42 |
| D410,560 S * | 6/1999 | Bezborodko | | D26/110 |
| D638,566 S * | 5/2011 | Goelz | | D26/75 |
| D671,254 S * | 11/2012 | Miyatake | | D26/75 |
| D754,902 S * | 4/2016 | Parker | | D26/76 |
| D796,721 S * | 9/2017 | Boorom | | D26/72 |
| D875,286 S * | 2/2020 | Noga | | D26/42 |
| D887,603 S * | 6/2020 | Noga | | D26/42 |
| D940,942 S * | 1/2022 | Zou | | D26/85 |
| D947,929 S * | 4/2022 | Ni | | D16/241 |
| 2007/0121088 A1 * | 5/2007 | Liang | | G03B 21/58 353/119 |
| 2014/0268721 A1 * | 9/2014 | Durkee | | F21S 8/04 362/218 |

OTHER PUBLICATIONS

RGB Led Video Light Stick Wand Obeamiu portable studio photography lighting, <https://www.amazon.com/Obeamiu-2600-12000K-Photography-Rechargeable-Broadcasting/dp/B094N5PLVN>, May 11, 2021 (Year: 2021).*

* cited by examiner

Primary Examiner — Richard Kearney
Assistant Examiner — Benjamin M Weeks

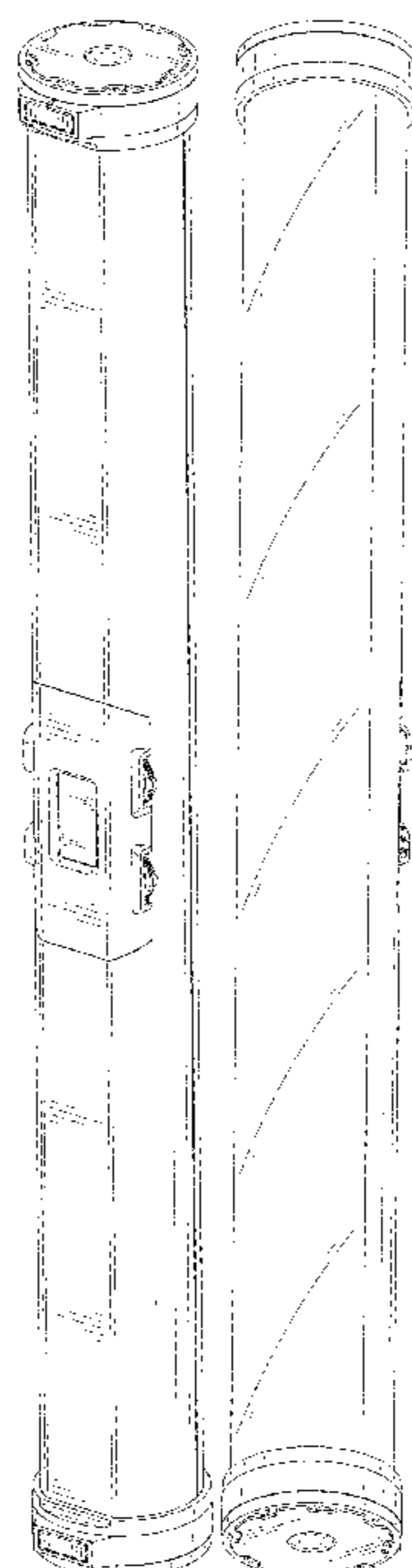
(57) **CLAIM**

The ornamental design for a handled photography lamp, as shown and described.

DESCRIPTION

FIG. 1 is a perspective view of a handled photography lamp showing my new design;
FIG. 2 is another perspective view thereof;
FIG. 3 is a front elevational view thereof;
FIG. 4 is a rear elevational view thereof;
FIG. 5 is a left side elevational view thereof;
FIG. 6 is a right side elevational view thereof;
FIG. 7 is a top plan view thereof;
FIG. 8 is a bottom plan view thereof;
FIG. 9 is an enlarged top plan view of the handled photography lamp; and,
FIG. 10 is an enlarged bottom plan view of the handled photography lamp.
The broken lines in the drawings depict portions of the handled photography lamp that form no part of the claimed design.

1 Claim, 10 Drawing Sheets



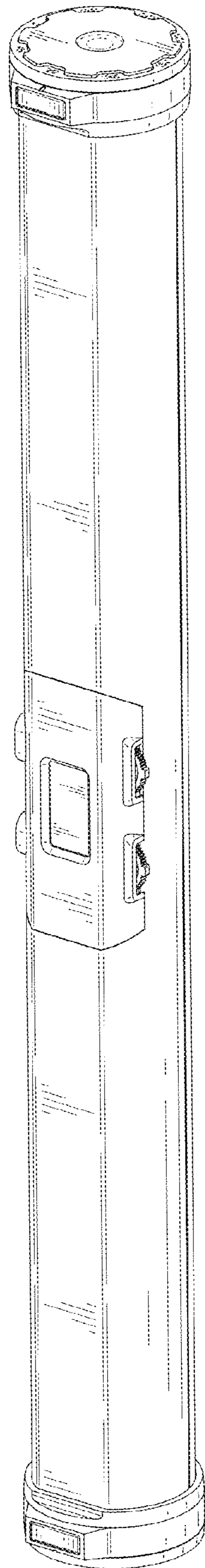


FIG. 1

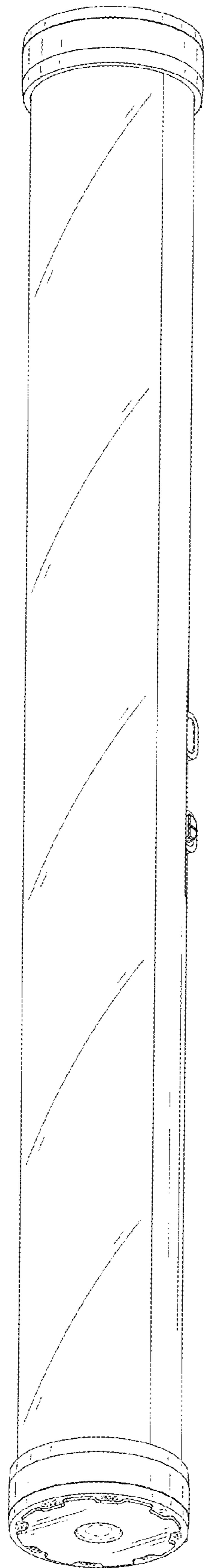


FIG. 2

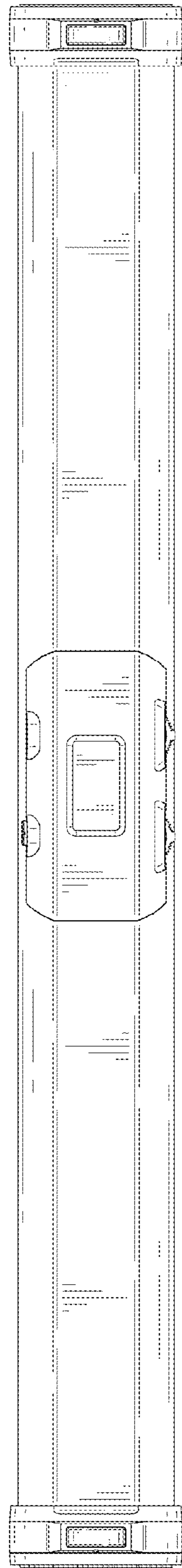


FIG. 3

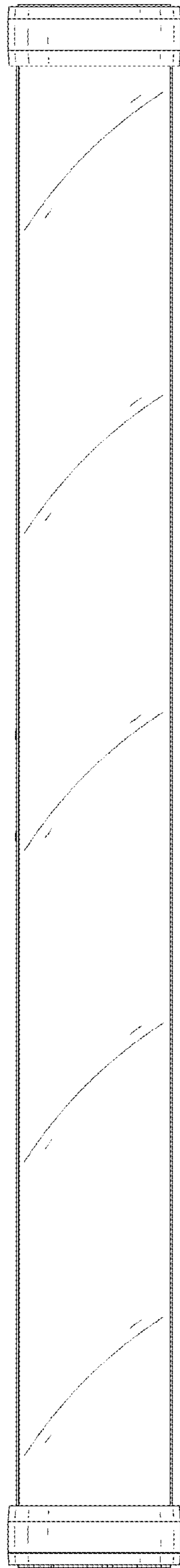


FIG. 4

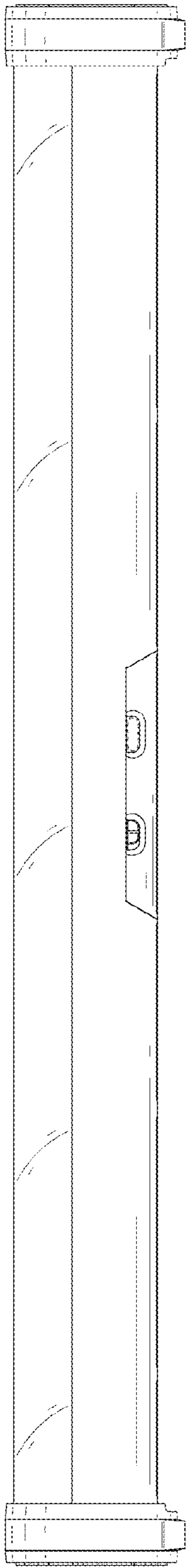


FIG. 5

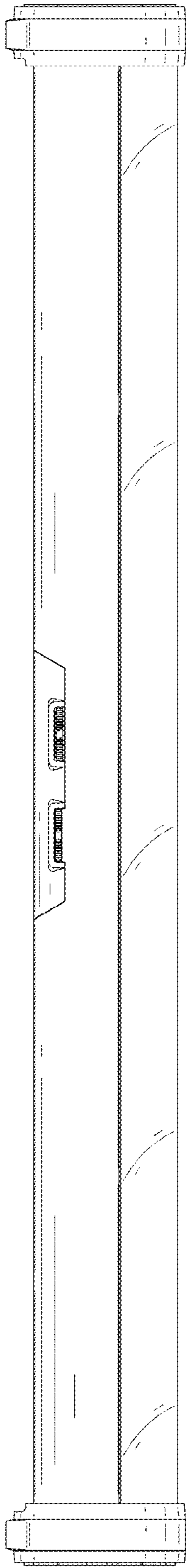


FIG. 6

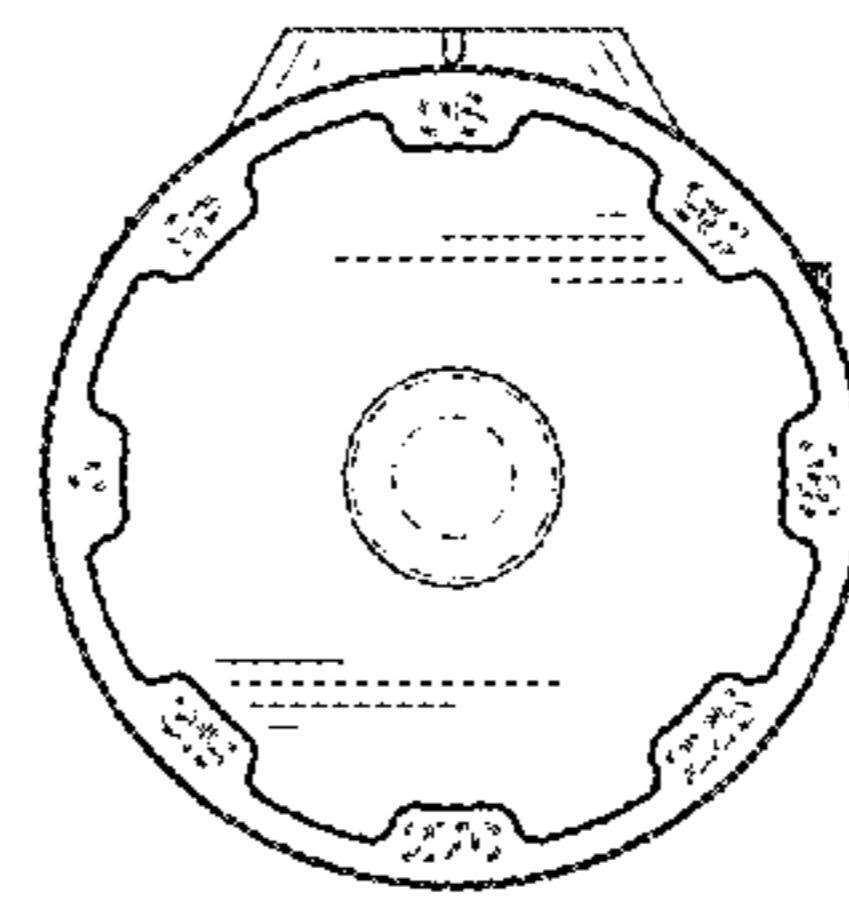


FIG. 7

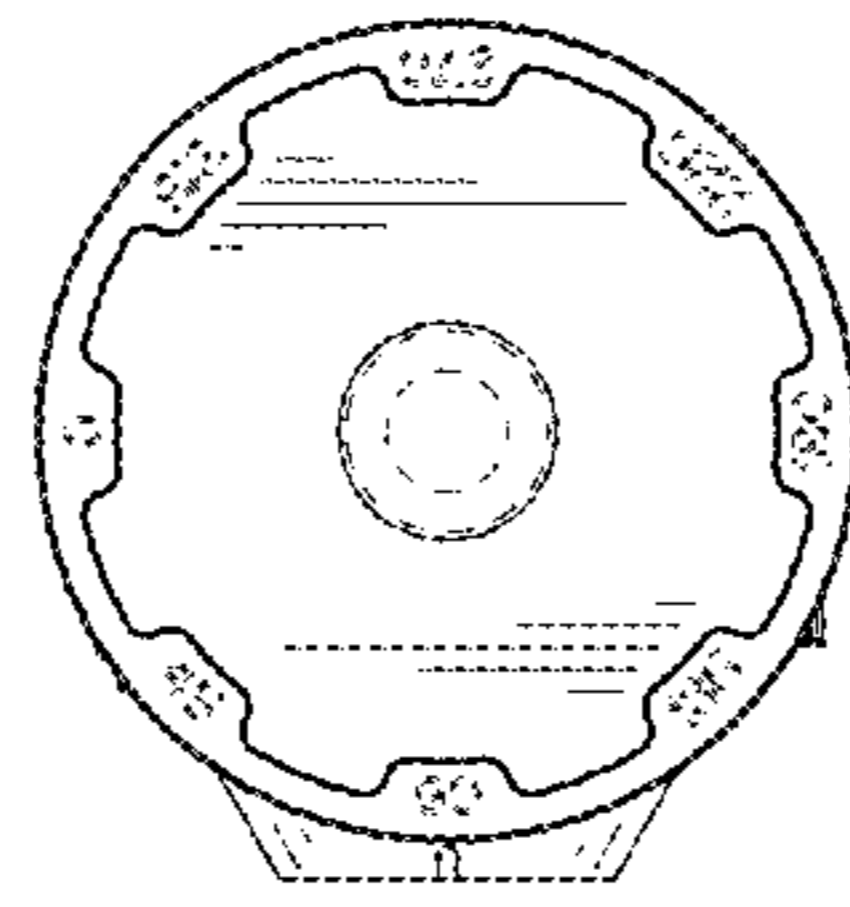


FIG. 8

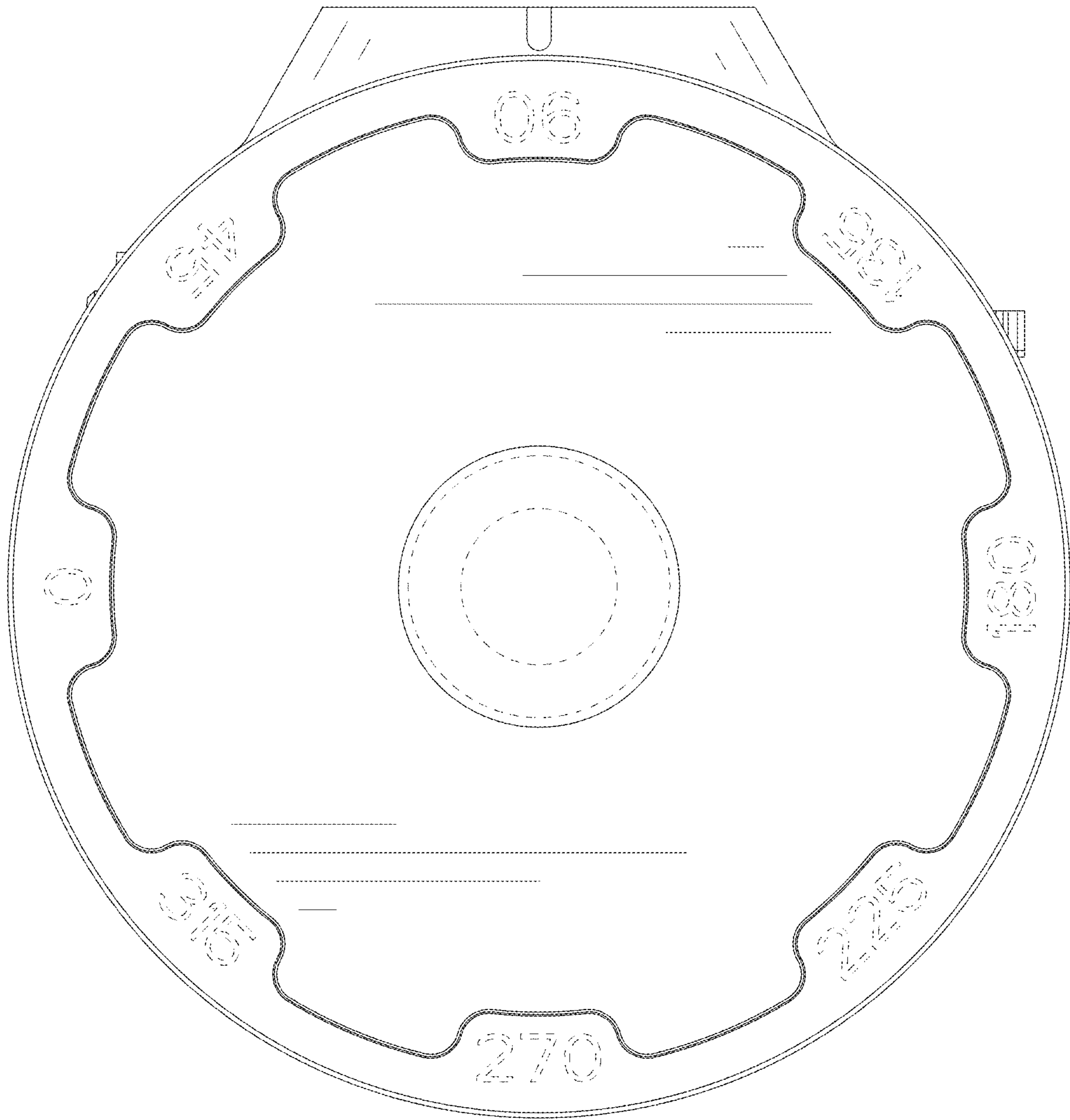


FIG. 9

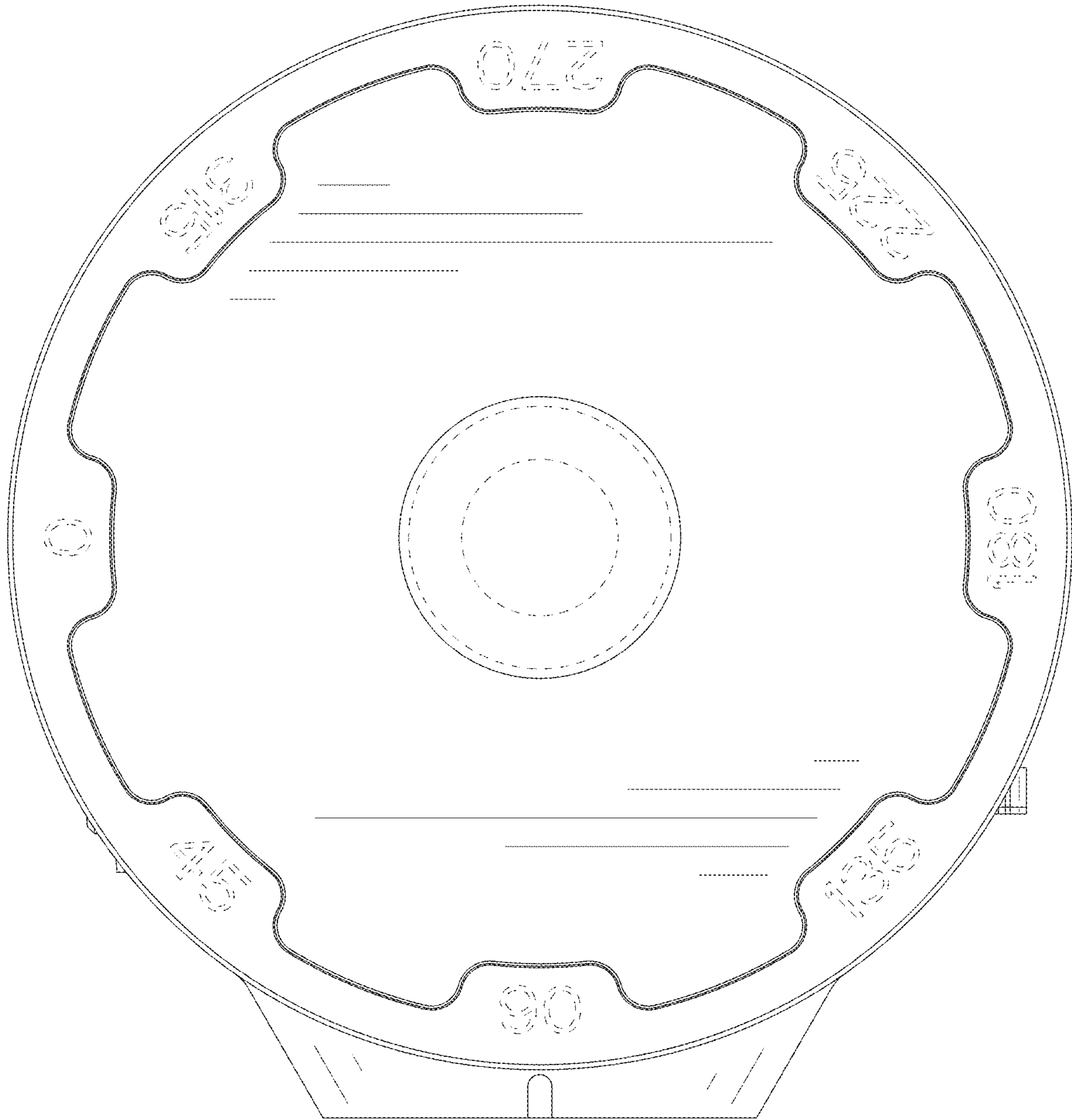


FIG. 10