

US00D977555S

(12) **United States Design Patent** (10) **Patent No.:** **US D977,555 S**  
**Ni** (45) **Date of Patent:** **\*\* Feb. 7, 2023**

(54) **PROJECTOR SUPPORT STAND WITH WHEELS**

(71) Applicant: **Shaoxing Shangyu Yixiang Digital Equipment Co., Ltd**, Shaoxing (CN)

(72) Inventor: **Yuxia Ni**, Shaoxing (CN)

(\*\*) Term: **15 Years**

(21) Appl. No.: **29/855,979**

(22) Filed: **Oct. 10, 2022**

(51) **LOC (14) Cl.** ..... **16-02**

(52) **U.S. Cl.**  
USPC ..... **D16/235; D16/242**

(58) **Field of Classification Search**  
USPC ..... D16/235, 237, 242, 244–245, 208;  
D8/355, 373; D14/224, 229, 238, 447,  
D14/451  
CPC ..... G03B 21/54; G03B 17/56; G03B 17/561  
See application file for complete search history.

(56) **References Cited**

**U.S. PATENT DOCUMENTS**

- D338,030 S \* 8/1993 Chapman ..... D16/242
- D347,501 S \* 5/1994 Chapman ..... D16/242
- D680,573 S \* 4/2013 Sakamoto ..... D16/235
- D704,486 S 5/2014 Cho
- 9,851,625 B1 \* 12/2017 Fernandez ..... G03B 17/561

- D852,875 S 7/2019 Chun
- D872,166 S 1/2020 Chun
- D911,757 S 3/2021 Zhou
- D930,224 S \* 9/2021 Lin ..... D16/244
- D949,952 S 4/2022 Luo et al.
- D962,325 S 8/2022 Wu
- D970,264 S \* 11/2022 Chen ..... D16/244
- 2016/0202598 A1 \* 7/2016 Griffey ..... G03B 17/561  
396/428

\* cited by examiner

*Primary Examiner* — Wan Laymon

(74) *Attorney, Agent, or Firm* — Rumit Ranjit Kanakia

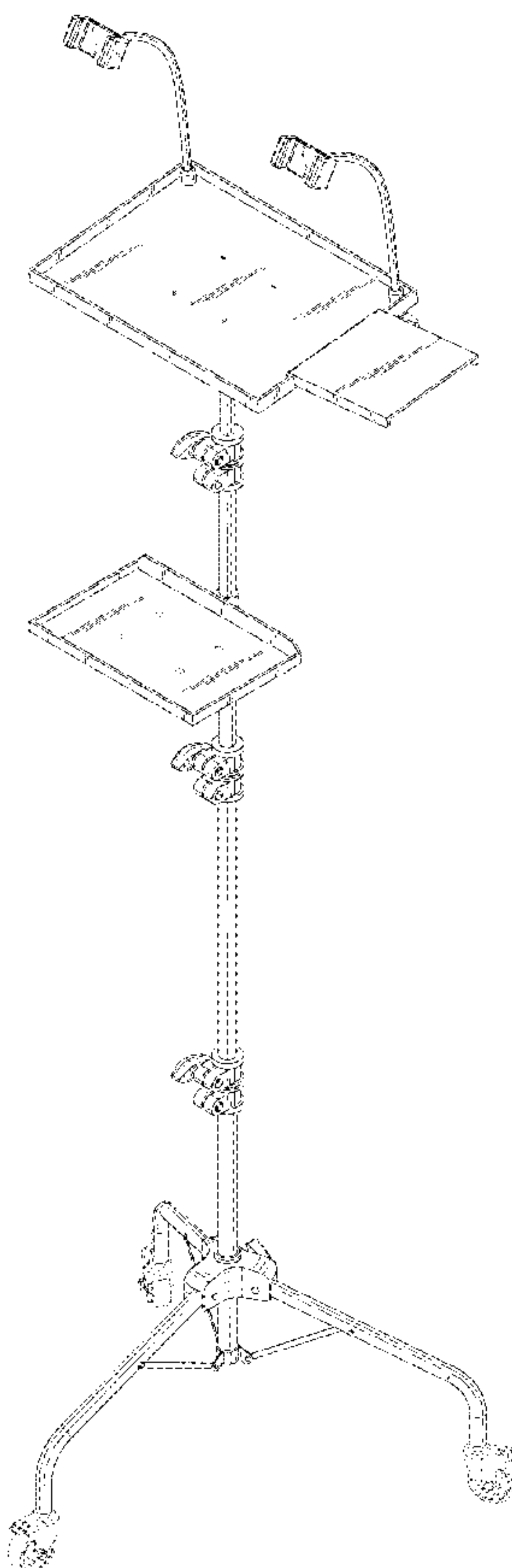
(57) **CLAIM**

The ornamental design for a projector support stand with wheels, as shown and described.

**DESCRIPTION**

FIG. 1 is a front perspective view of a projector support stand with wheels showing my new design;  
 FIG. 2 is a front view thereof;  
 FIG. 3 is a rear view thereof;  
 FIG. 4 is a left side view thereof;  
 FIG. 5 is a right side view thereof;  
 FIG. 6 is a top view thereof; and,  
 FIG. 7 is a bottom view thereof.  
 Broken lines in the drawings depict portions of the projector support stand with wheels that form no part of the claimed design.

**1 Claim, 7 Drawing Sheets**



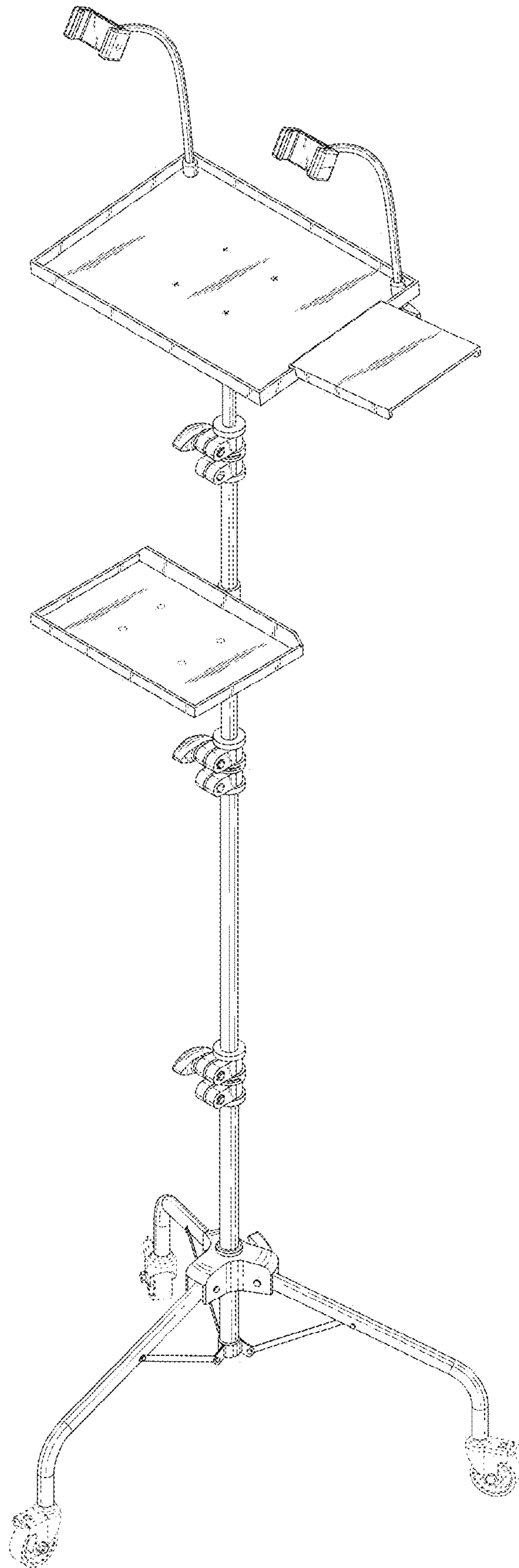


FIG.1

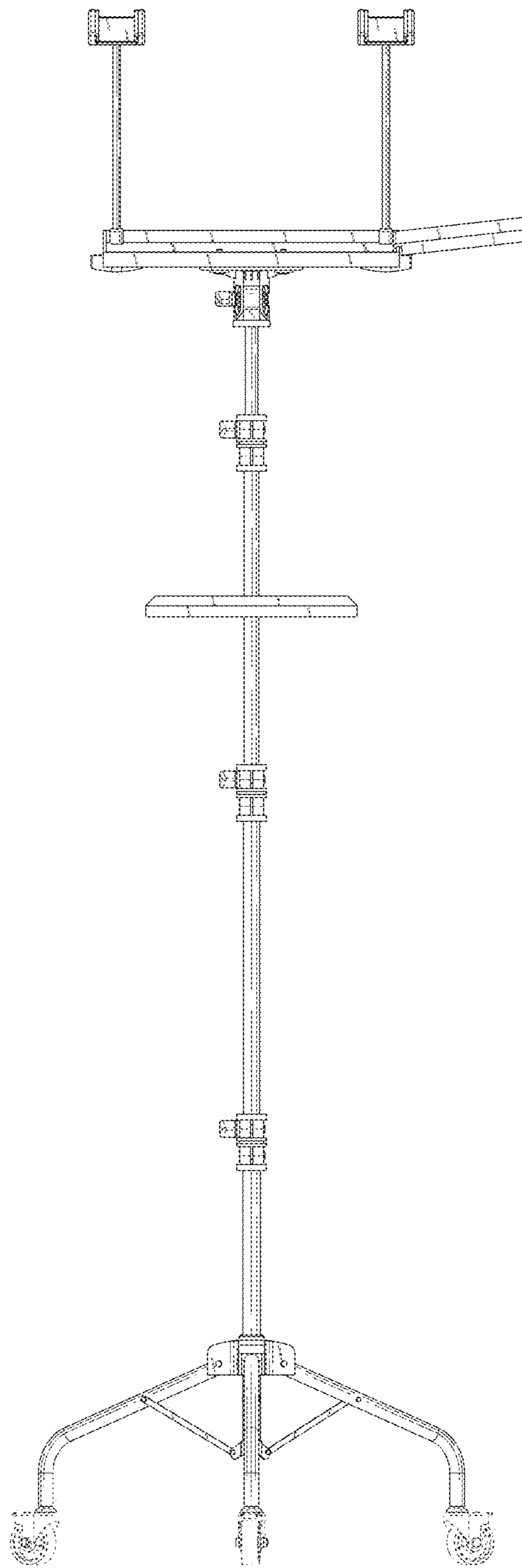


FIG.2

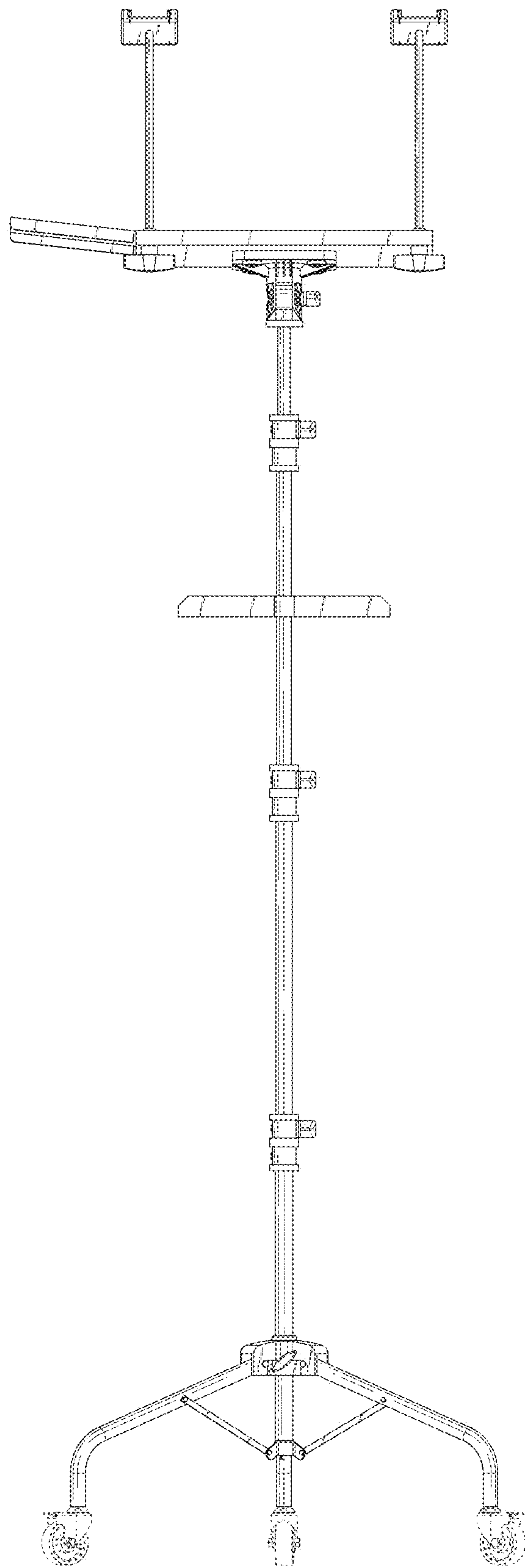


FIG.3

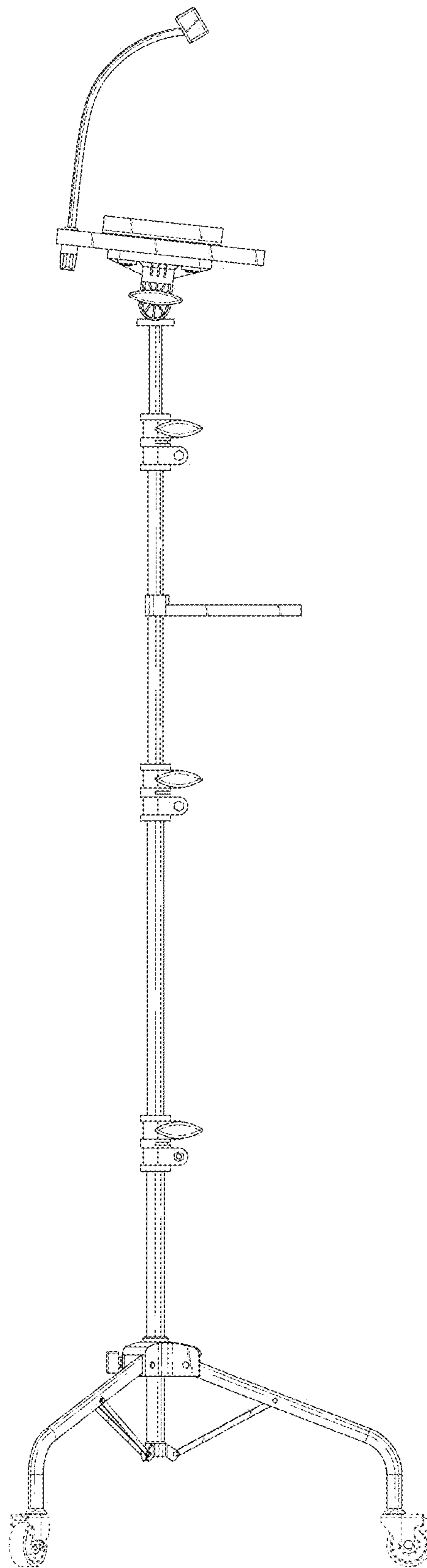


FIG.4

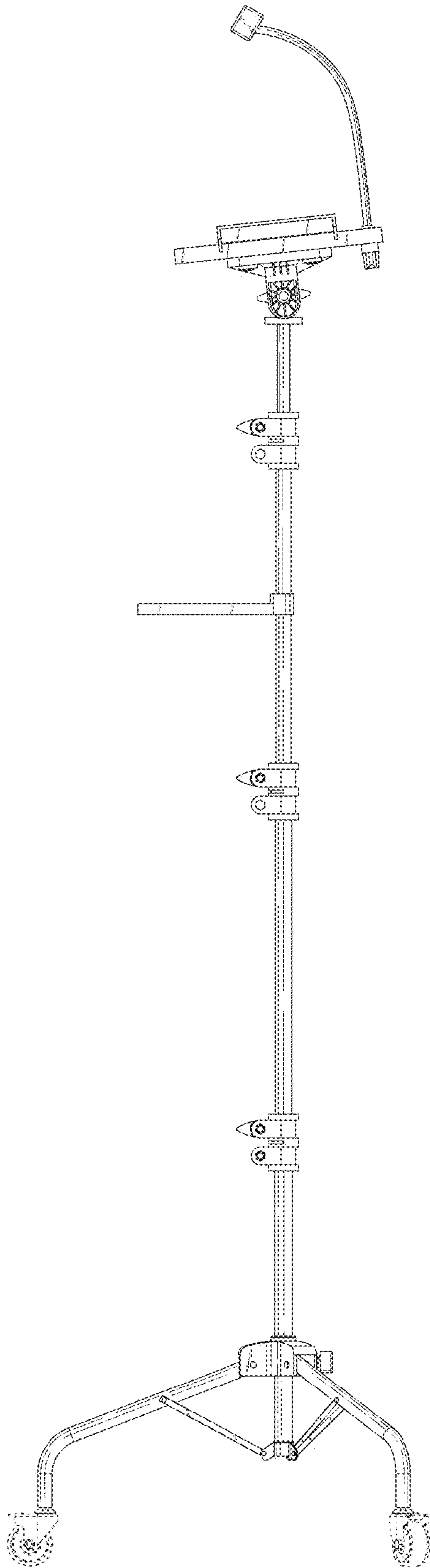


FIG.5

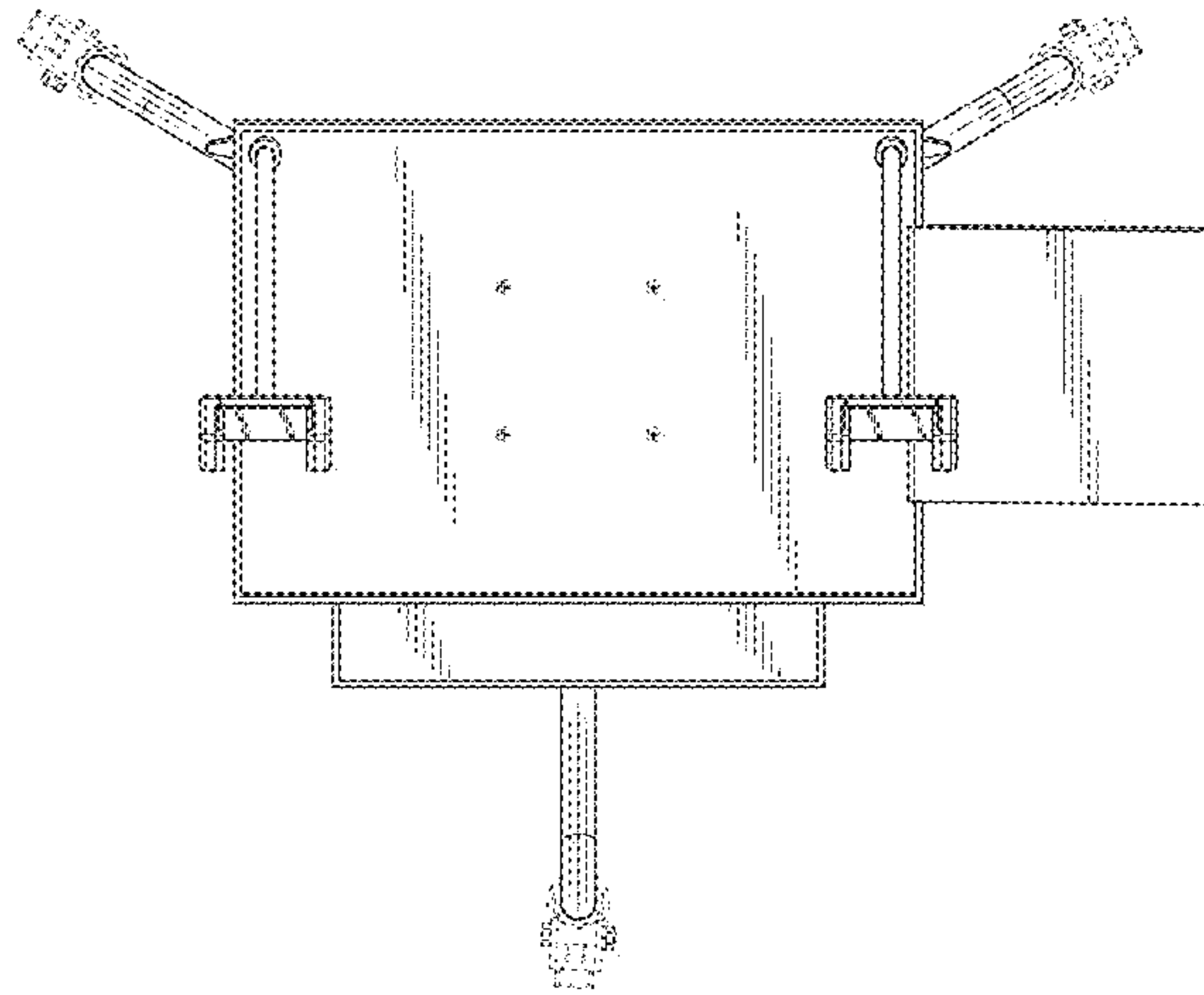
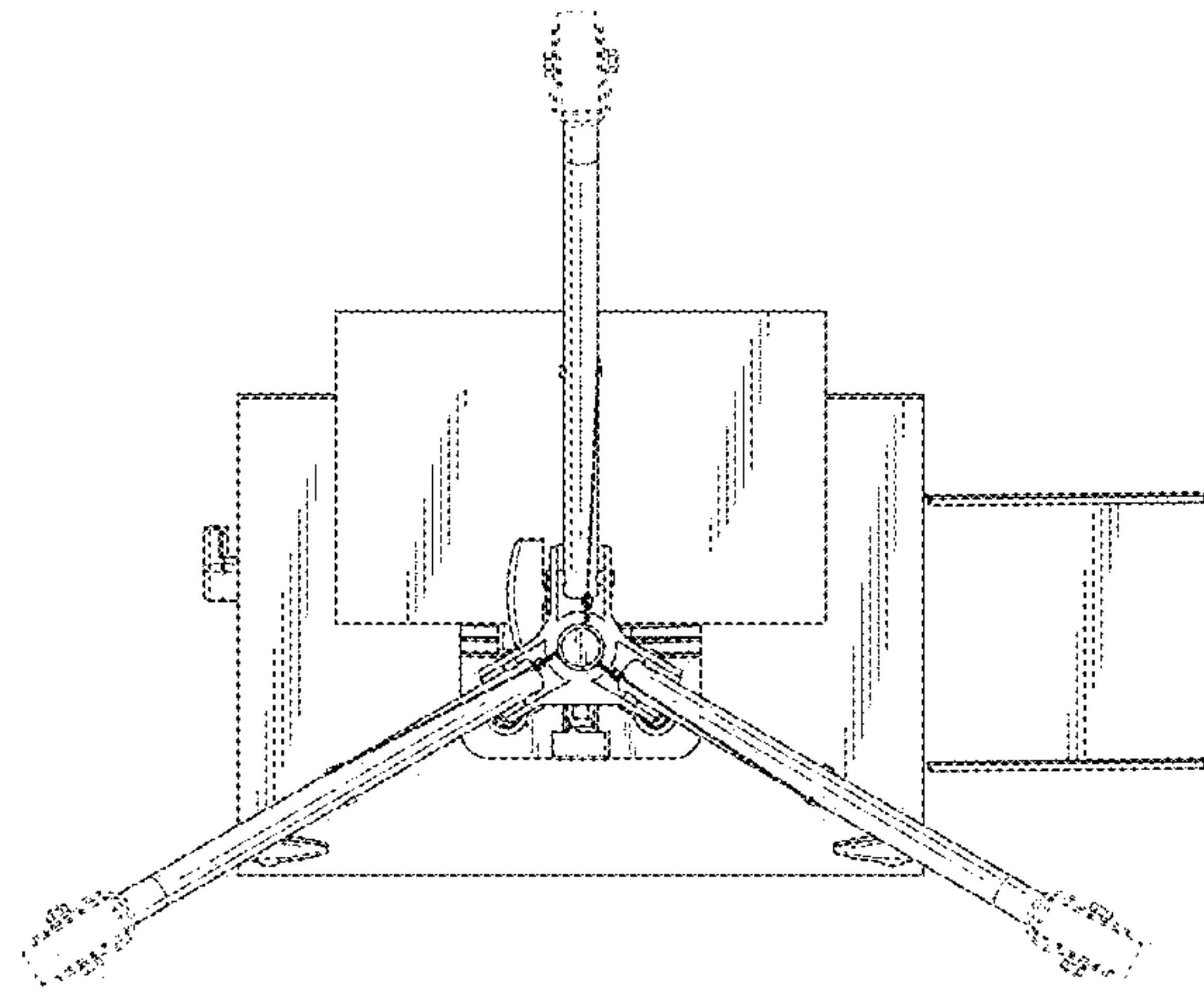


FIG.6





**FIG.7**