



US00D977554S

(12) **United States Design Patent**
Deng

(10) **Patent No.:** **US D977,554 S**

(45) **Date of Patent:** **** Feb. 7, 2023**

(54) **PROJECTOR**

(71) Applicant: **Shenzhen Shadow Crown Technology Co., Ltd**, Guangdong (CN)

(72) Inventor: **Feiyue Deng**, Guangdong (CN)

(73) Assignee: **Shenzhen Shadow Crown Technology Co., Ltd**, Shenzhen (CN)

(**) Term: **15 Years**

(21) Appl. No.: **29/809,606**

(22) Filed: **Sep. 29, 2021**

(30) **Foreign Application Priority Data**

Sep. 9, 2021 (CN) 202130597913.7

(51) **LOC (14) Cl.** **16-02**

(52) **U.S. Cl.**
USPC **D16/230**

(58) **Field of Classification Search**
USPC D16/221, 225, 230–231, 234; D21/514
CPC G03B 21/16; G03B 21/14; G03B 21/145;
G03B 21/00; G03B 21/001; G03B
21/003; G03B 21/12

See application file for complete search history.

(56) **References Cited**

U.S. PATENT DOCUMENTS

D467,604 S * 12/2002 Niitsu D16/230
D477,833 S * 7/2003 Kurokawa D16/230
D565,629 S * 4/2008 Morishita D16/230

D600,735 S * 9/2009 Chigira D16/230
D637,642 S * 5/2011 Lim D16/230
D670,322 S * 11/2012 Lee D16/230
D870,798 S * 12/2019 Yuyama D16/230
D949,950 S * 4/2022 Wei D16/230
D949,951 S * 4/2022 Wei D16/230
D952,729 S * 5/2022 Li D16/221

* cited by examiner

Primary Examiner — Wan Laymon

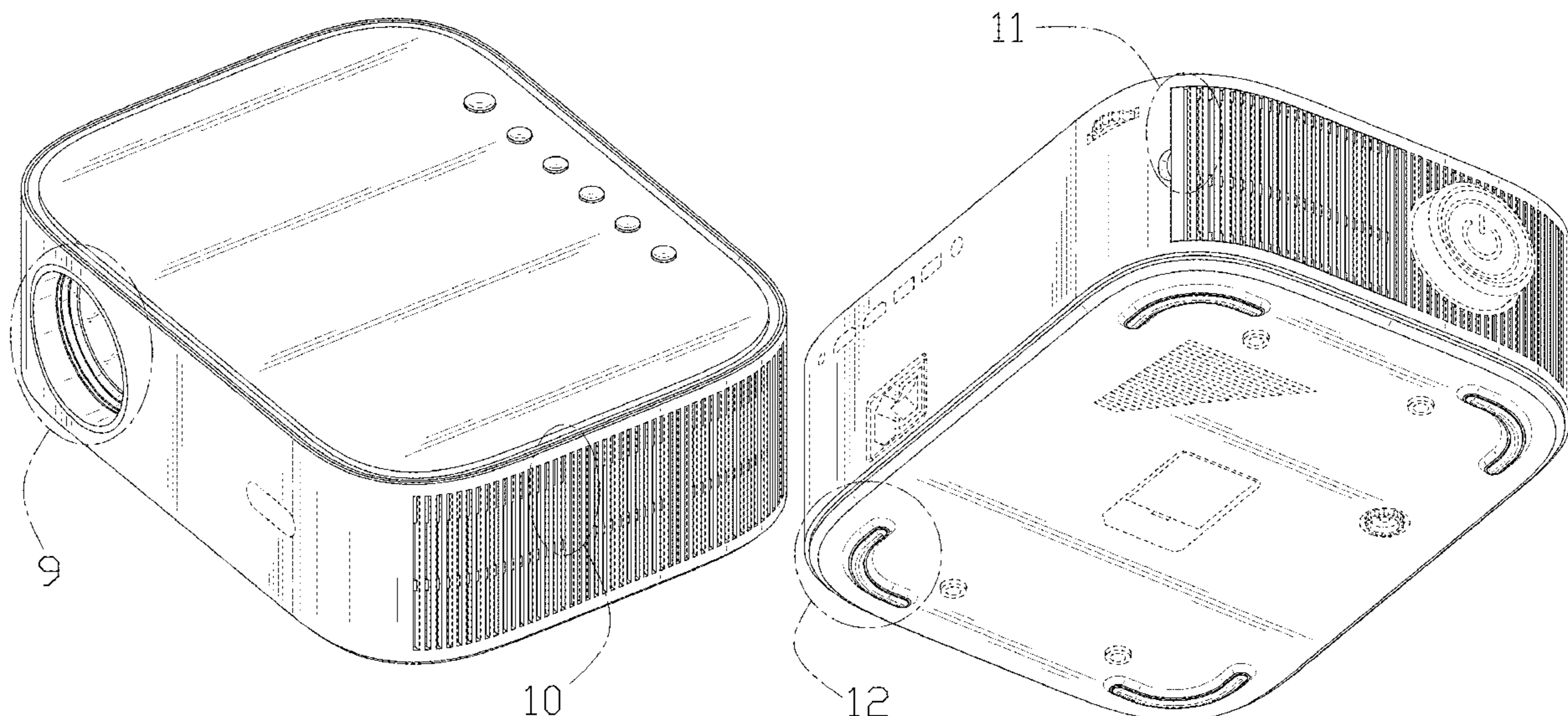
(57) **CLAIM**

The ornamental design for a projector, as shown and described.

DESCRIPTION

FIG. 1 is a top, front and right side perspective view of a projector showing my new design;
FIG. 2 is a bottom, rear and left side perspective view thereof;
FIG. 3 is a front elevational view thereof;
FIG. 4 is a rear elevational view thereof;
FIG. 5 is a left side view thereof;
FIG. 6 is a right side view thereof;
FIG. 7 is a top plan view thereof;
FIG. 8 is a bottom plan view thereof;
FIG. 9 is an enlarged view of portion 9 in FIG. 1;
FIG. 10 is an enlarged view of portion 10 in FIG. 1;
FIG. 11 is an enlarged view of portion 11 in FIG. 2; and,
FIG. 12 is an enlarged view of portion 12 in FIG. 2.
The broken lines in the drawings illustrate portions of the projector which form no part of the claimed design.
The oblique shade lines in the drawings represent reflective surfaces.

1 Claim, 12 Drawing Sheets



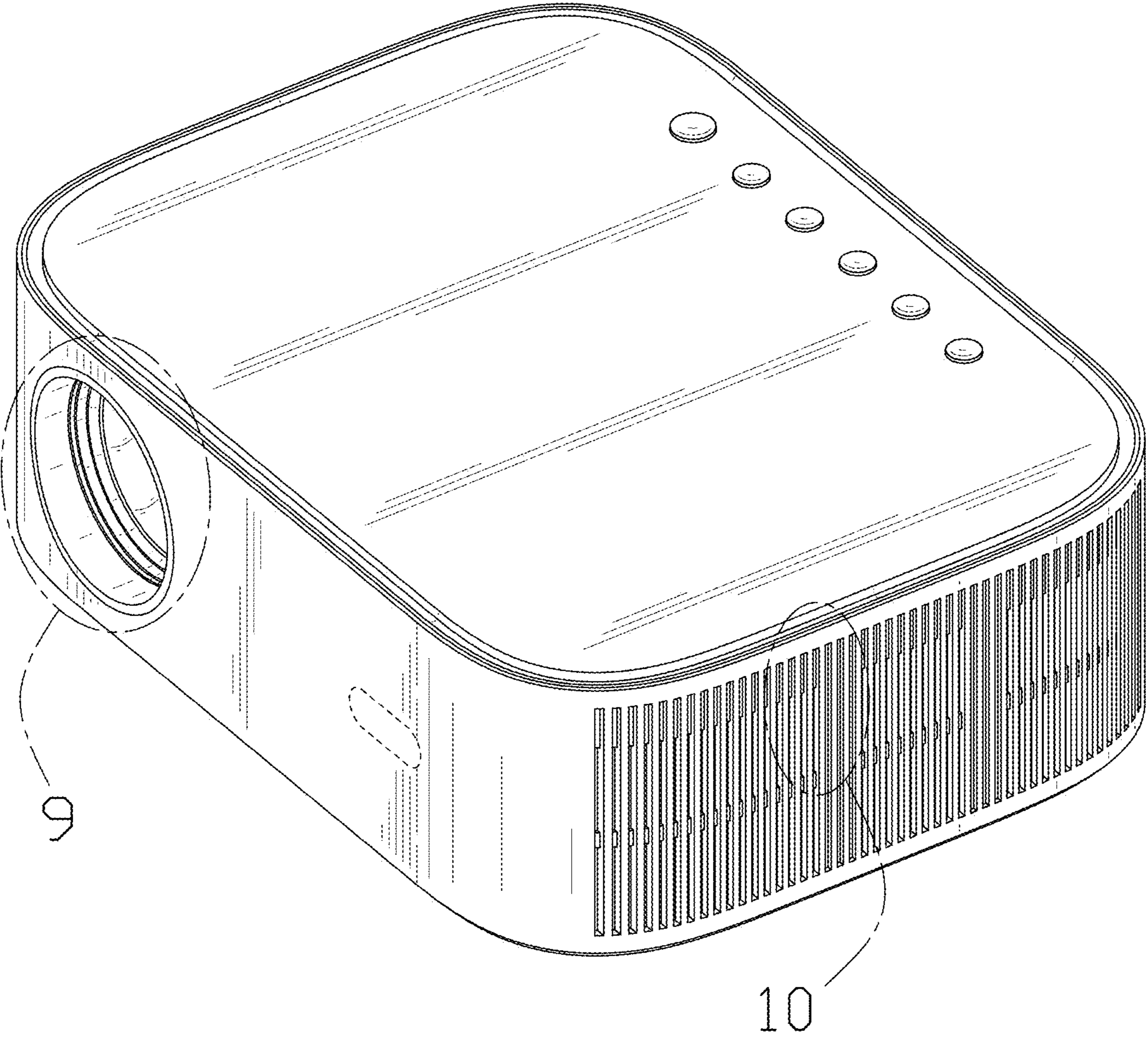


FIG. 1

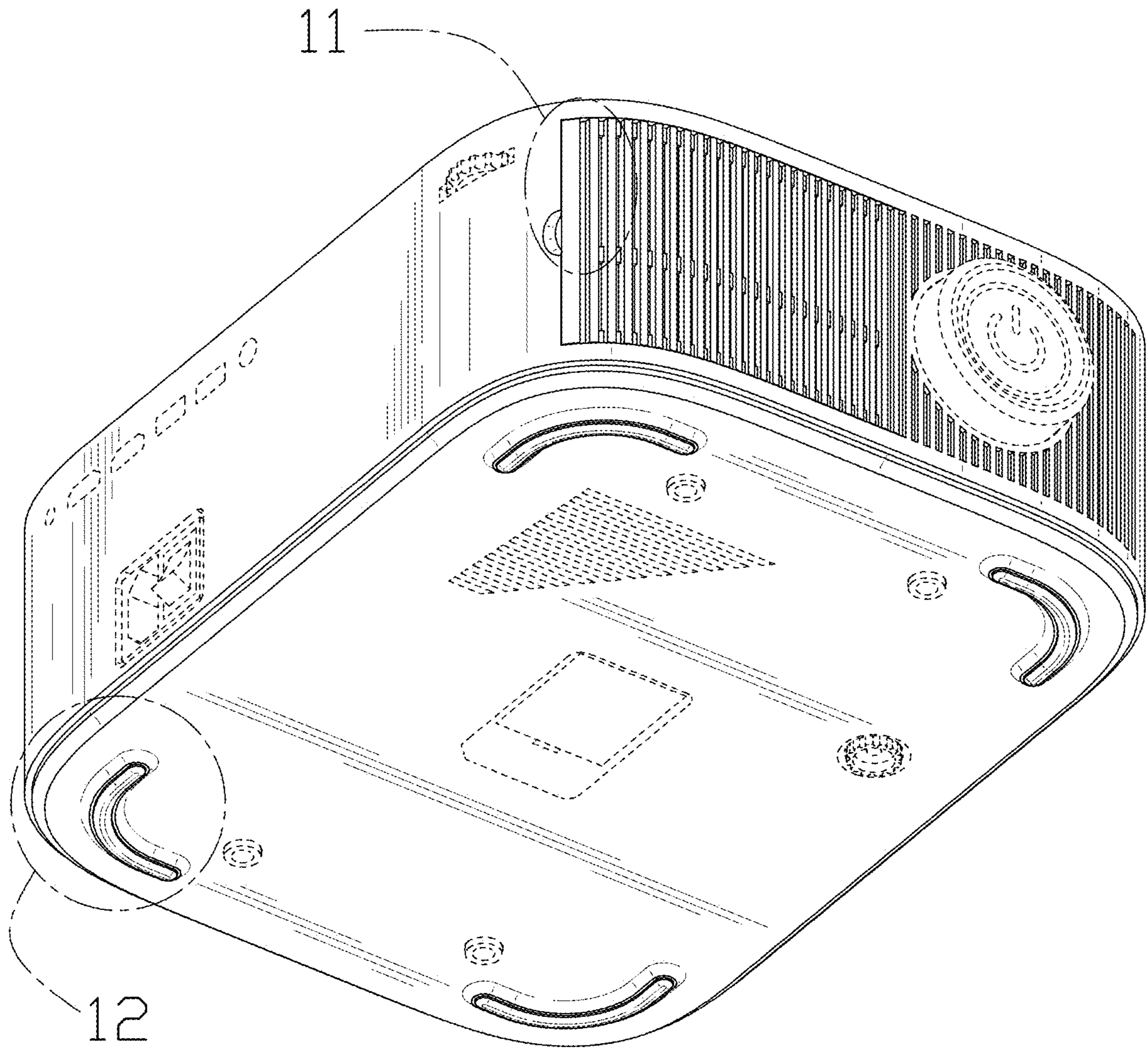


FIG. 2

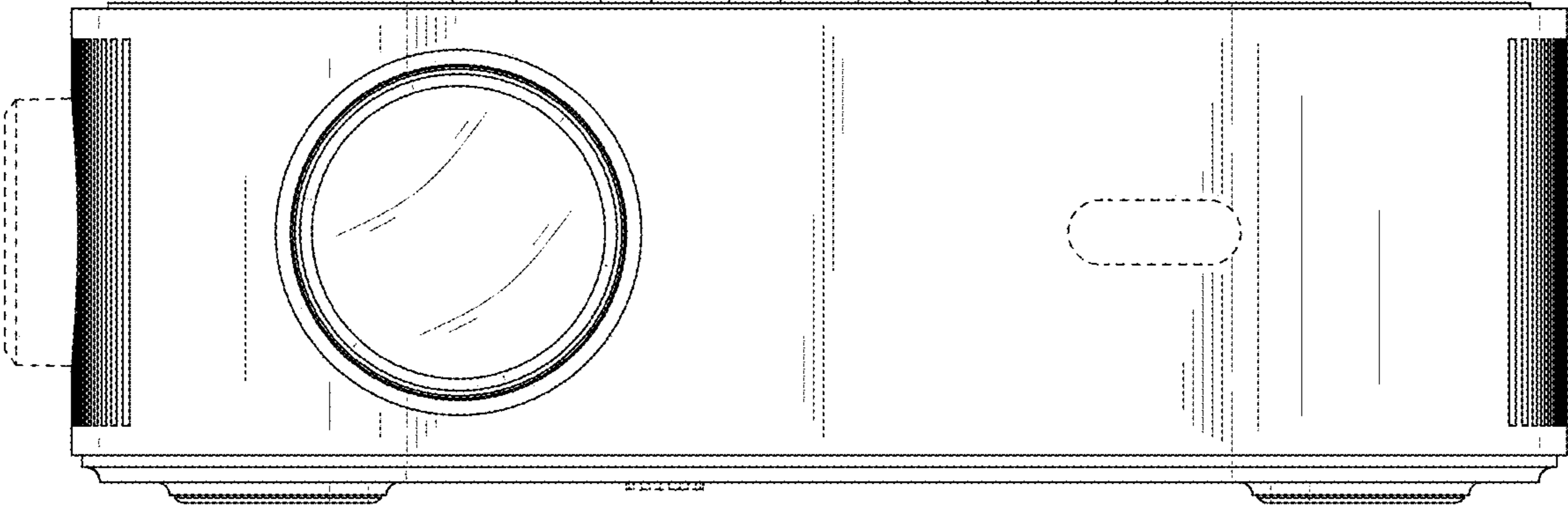


FIG. 3

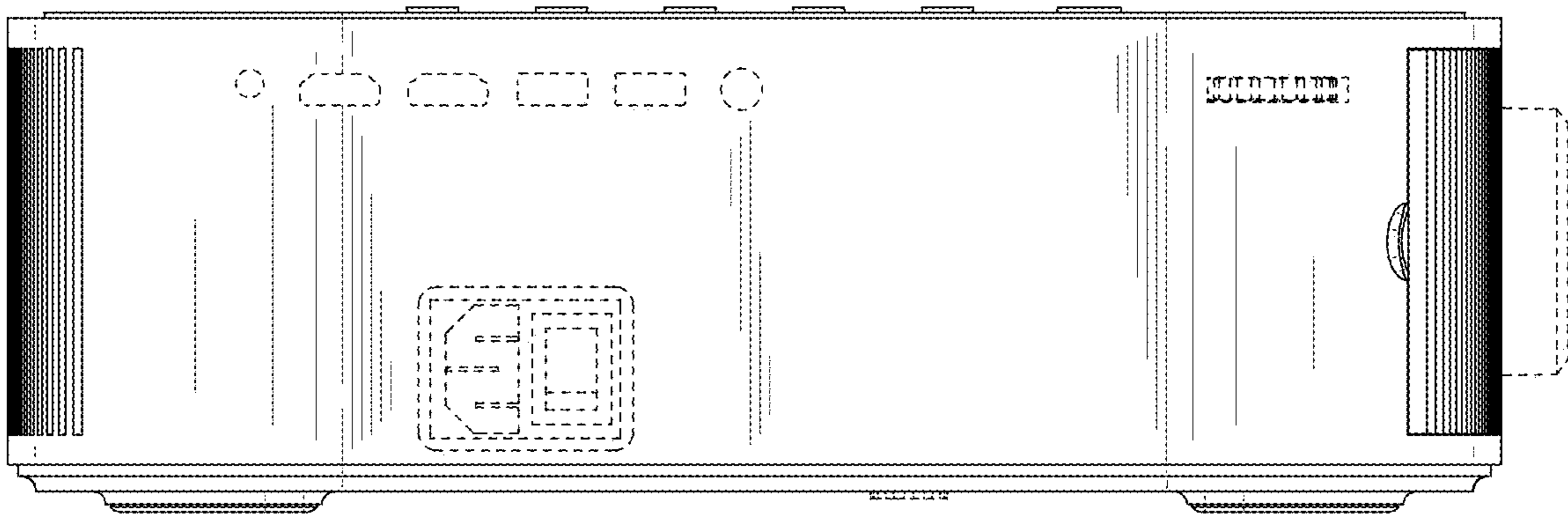


FIG. 4

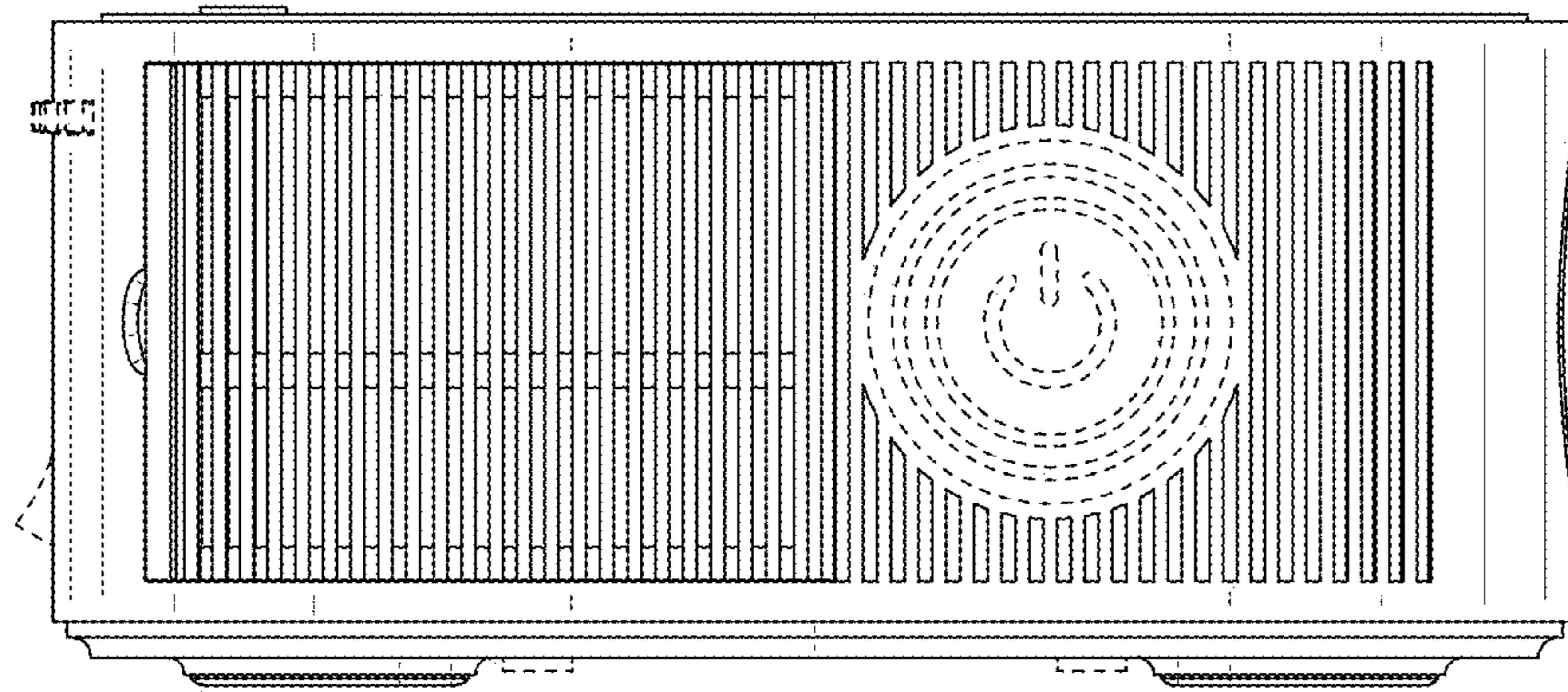


FIG. 5

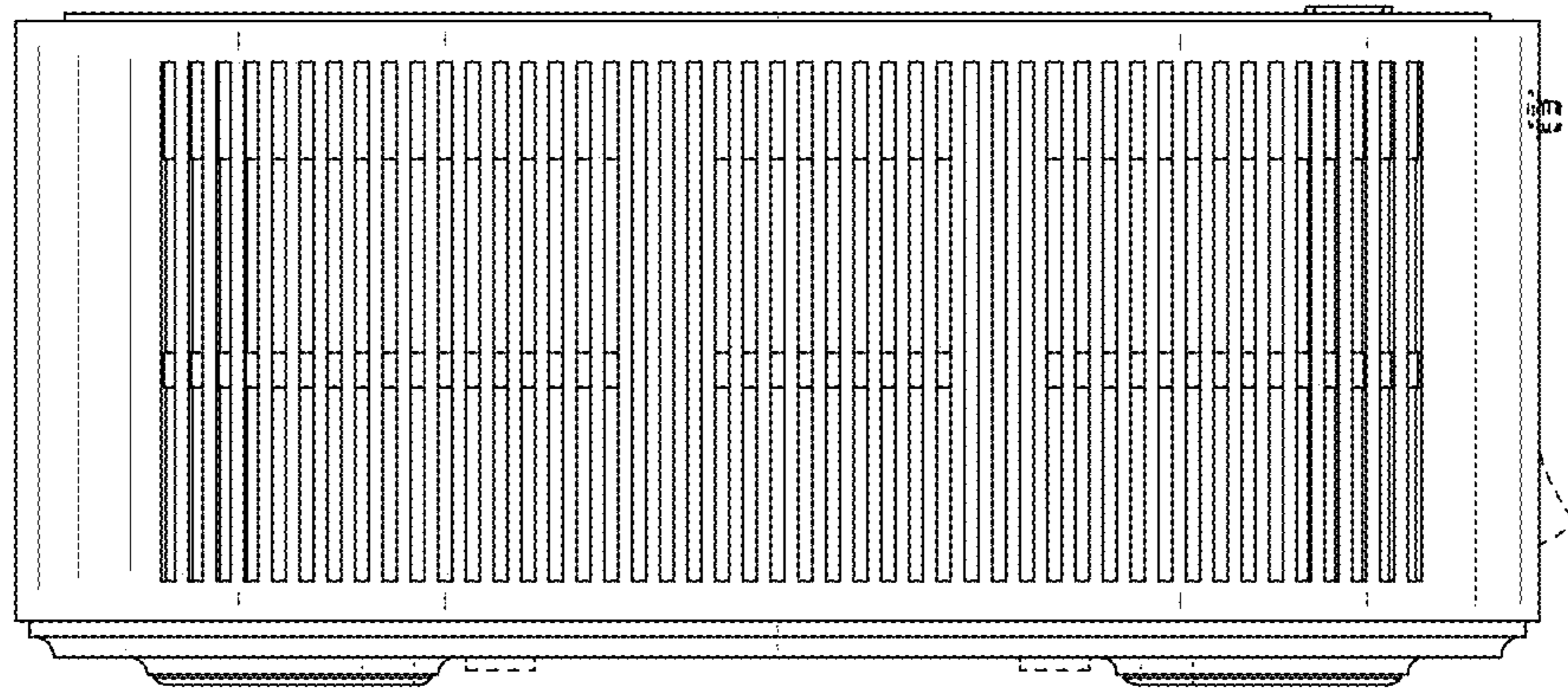


FIG. 6

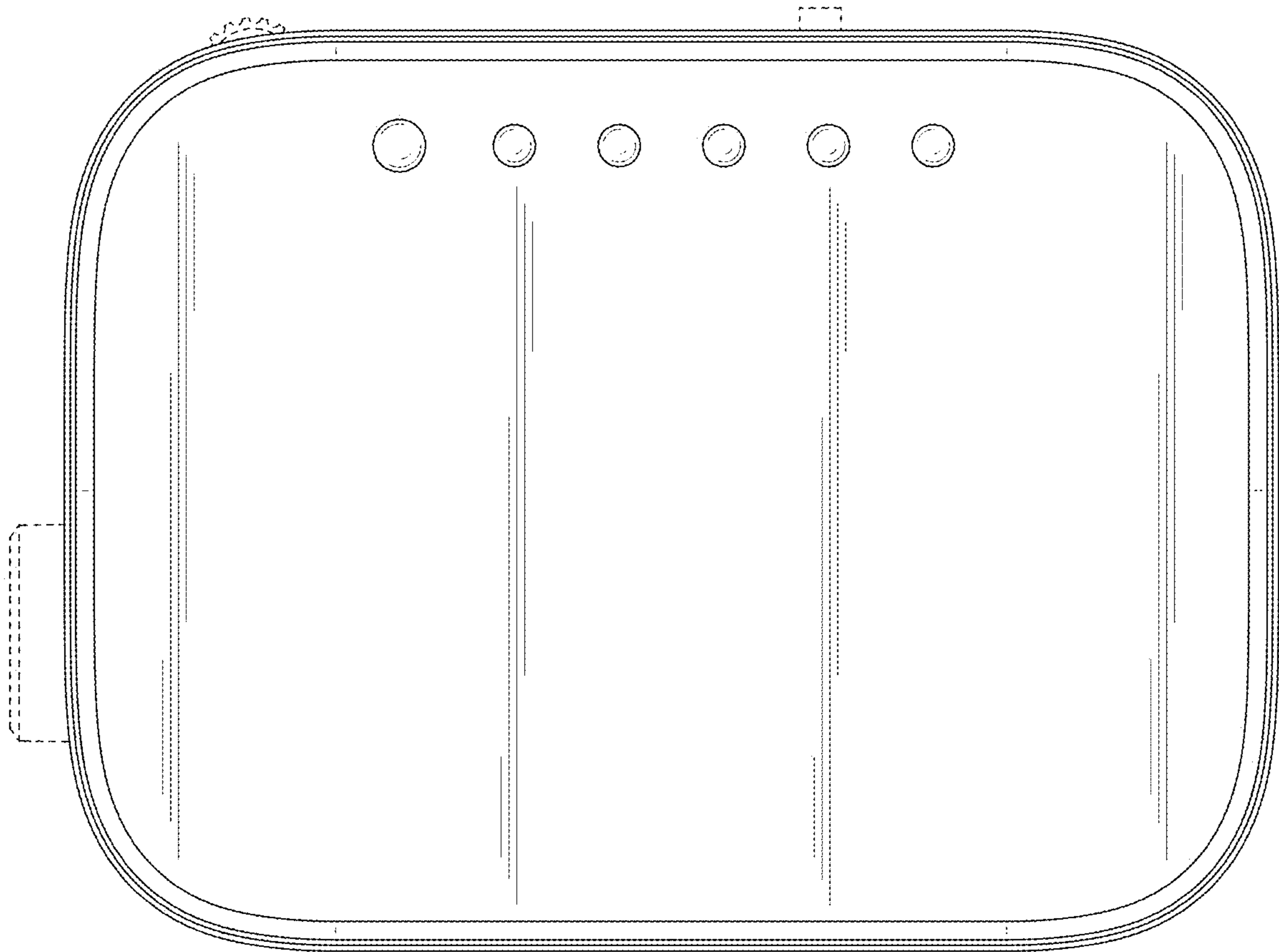


FIG. 7

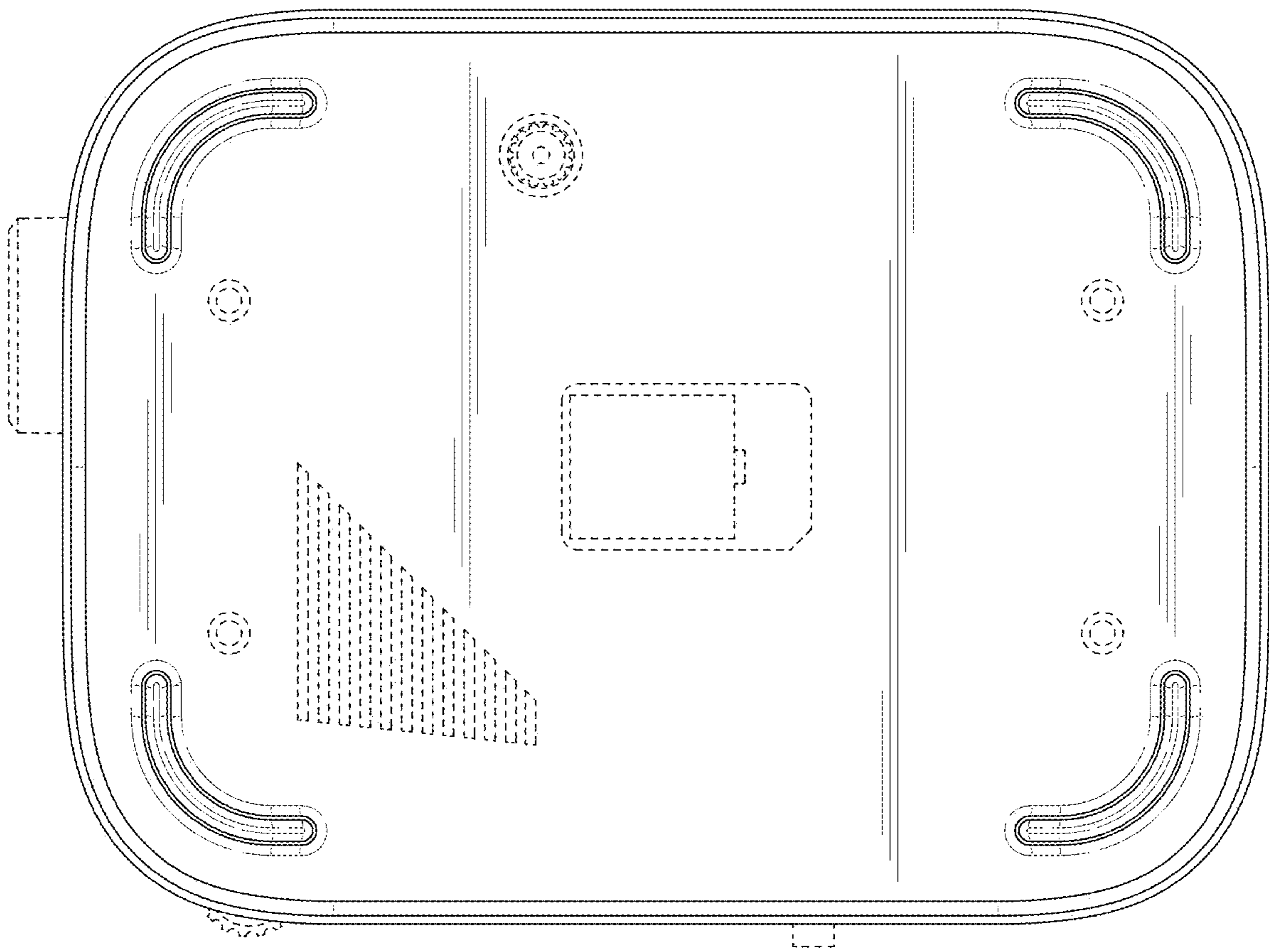


FIG. 8

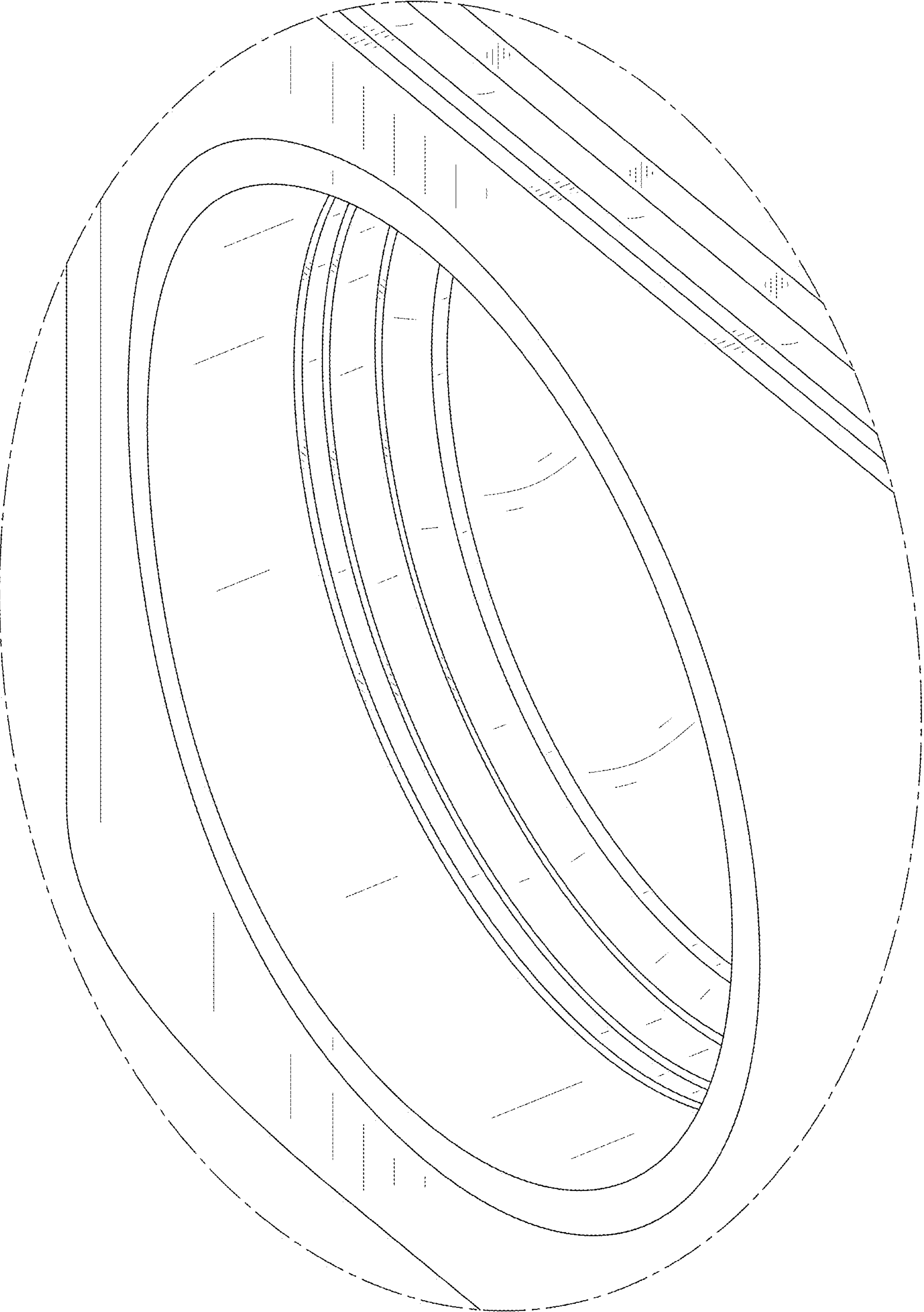


FIG. 9

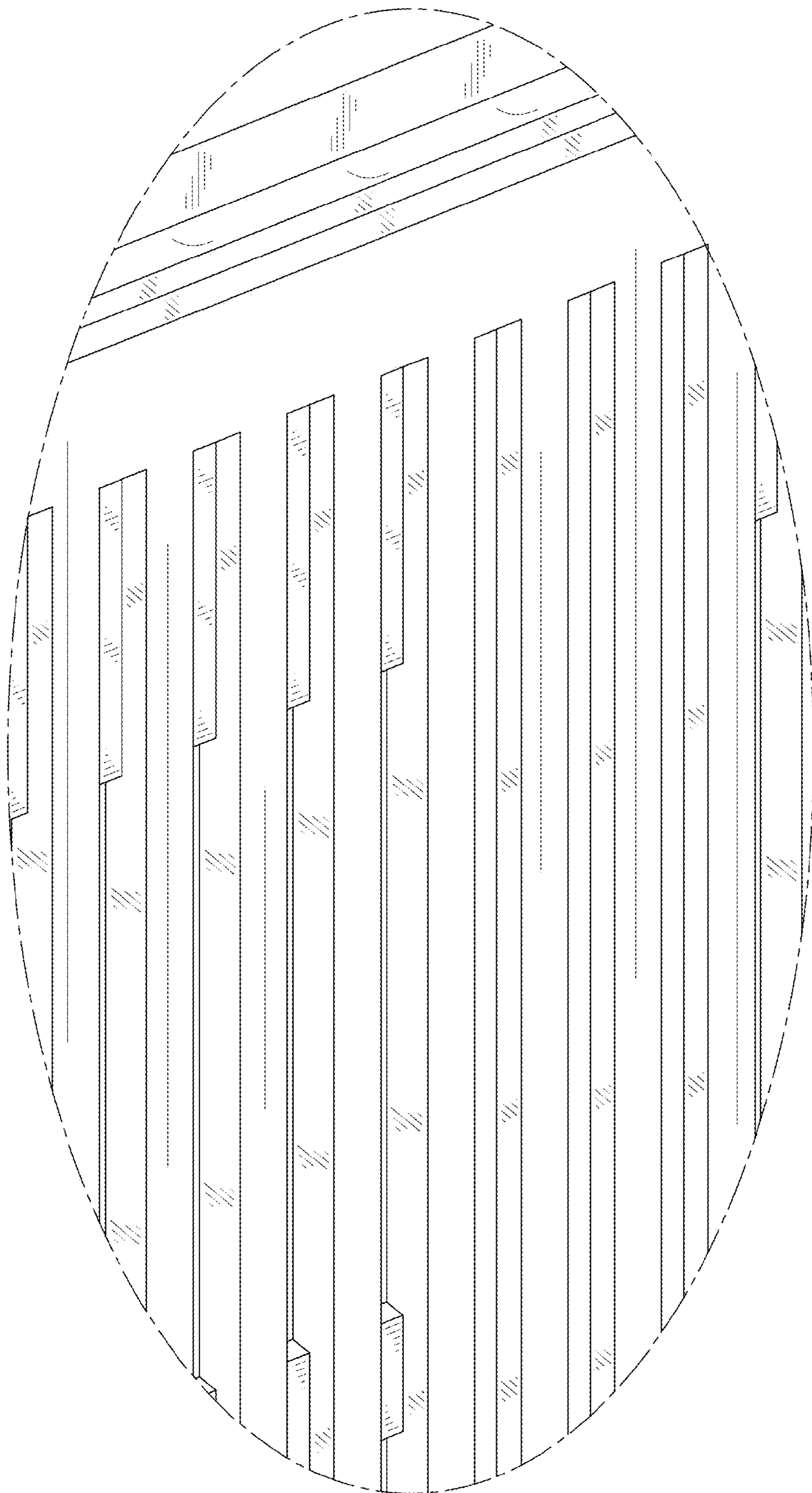


FIG. 10

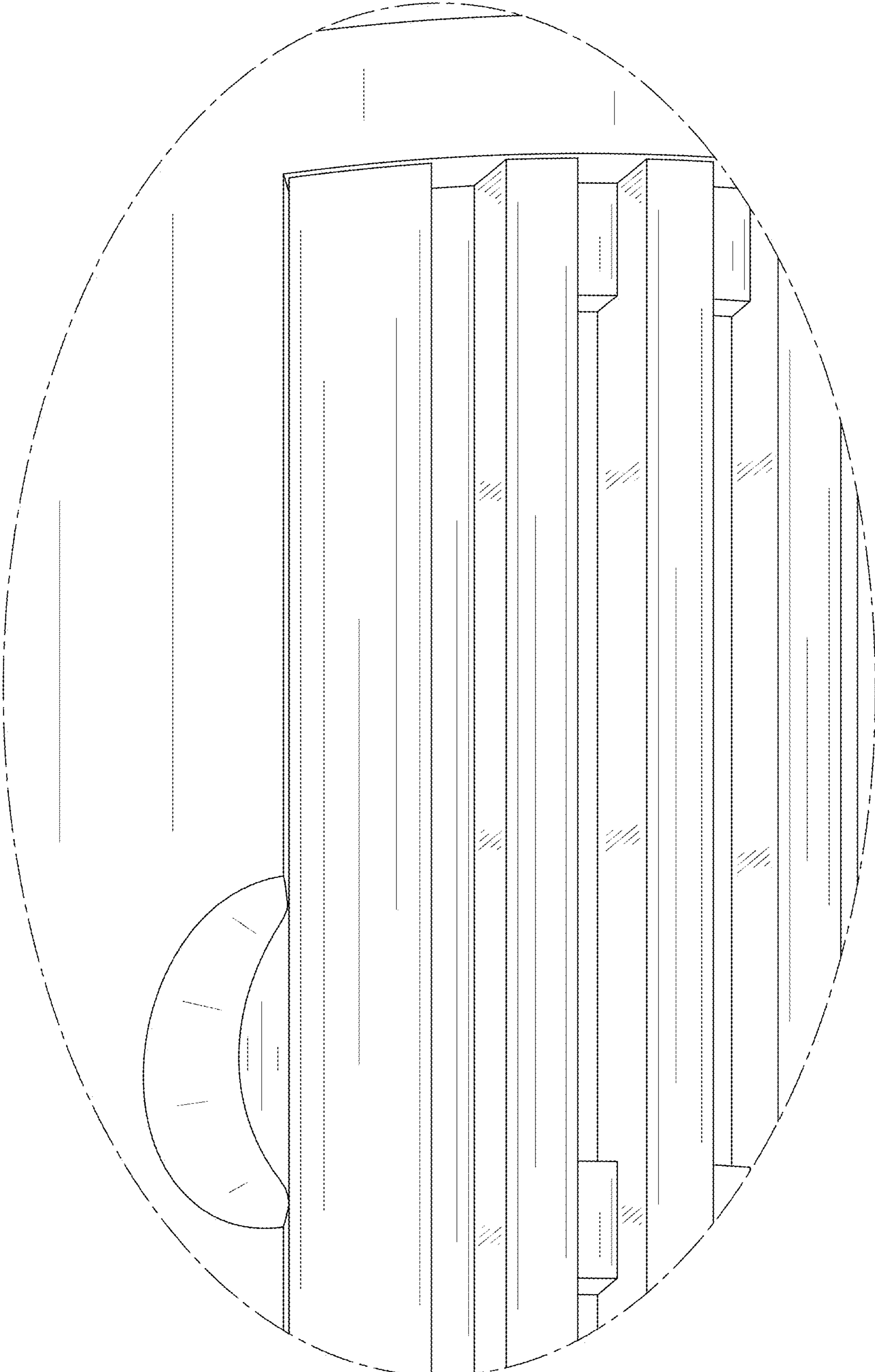


FIG. 11



FIG. 12