

US00D977553S

(12) **United States Design Patent** (10) **Patent No.:** **US D977,553 S**  
**Li** (45) **Date of Patent:** **\*\* Feb. 7, 2023**

(54) **DASHCAM**  
(71) Applicant: **Shenzhen Laizhang Technology Co., Ltd, Shenzhen (CN)**  
(72) Inventor: **Benxian Li, Tengchong (CN)**  
(73) Assignee: **Shenzhen Laizhang Technology Co., Ltd, Shenzhen (CN)**  
(\*\*) Term: **15 Years**  
(21) Appl. No.: **29/868,232**  
(22) Filed: **Nov. 27, 2022**  
(51) **LOC (14) Cl.** ..... **16-01**  
(52) **U.S. Cl.**  
USPC ..... **D16/208; D16/218**  
(58) **Field of Classification Search**  
USPC ..... D16/200, 202-208, 218, 219, 242;  
D14/138 C, 167  
CPC ..... G03B 17/02; G03B 19/04; G03B 17/56;  
G03B 17/04; G03B 15/03; H04N 5/2251;  
H04N 5/2252; H04N 5/2253; H04N  
5/2254; H04N 7/181; H04N 7/183; H04N  
7/18  
See application file for complete search history.

D908,772 S 1/2021 Grant  
D915,490 S 4/2021 Grant  
D921,736 S \* 6/2021 Yin ..... D16/208  
D930,061 S \* 9/2021 He ..... D16/202  
D960,956 S 8/2022 Endo  
D967,228 S \* 10/2022 Huang ..... D16/208  
D968,496 S \* 11/2022 Long ..... D16/208

**OTHER PUBLICATIONS**

Dash Camera for Cars, Dash Cam 1080P Full HD Dual, Dashcam 170 Wide Angle 2.4" LCD Display, Super Night Vision, G-Sensor, Parking Monitor, WDR, Loop Recording, from Amazon.com, printed on Nov. 25, 2022.

(Continued)

*Primary Examiner* — Ramzi Almatrahi  
(74) *Attorney, Agent, or Firm* — Vladimir Postnikov

(57) **CLAIM**

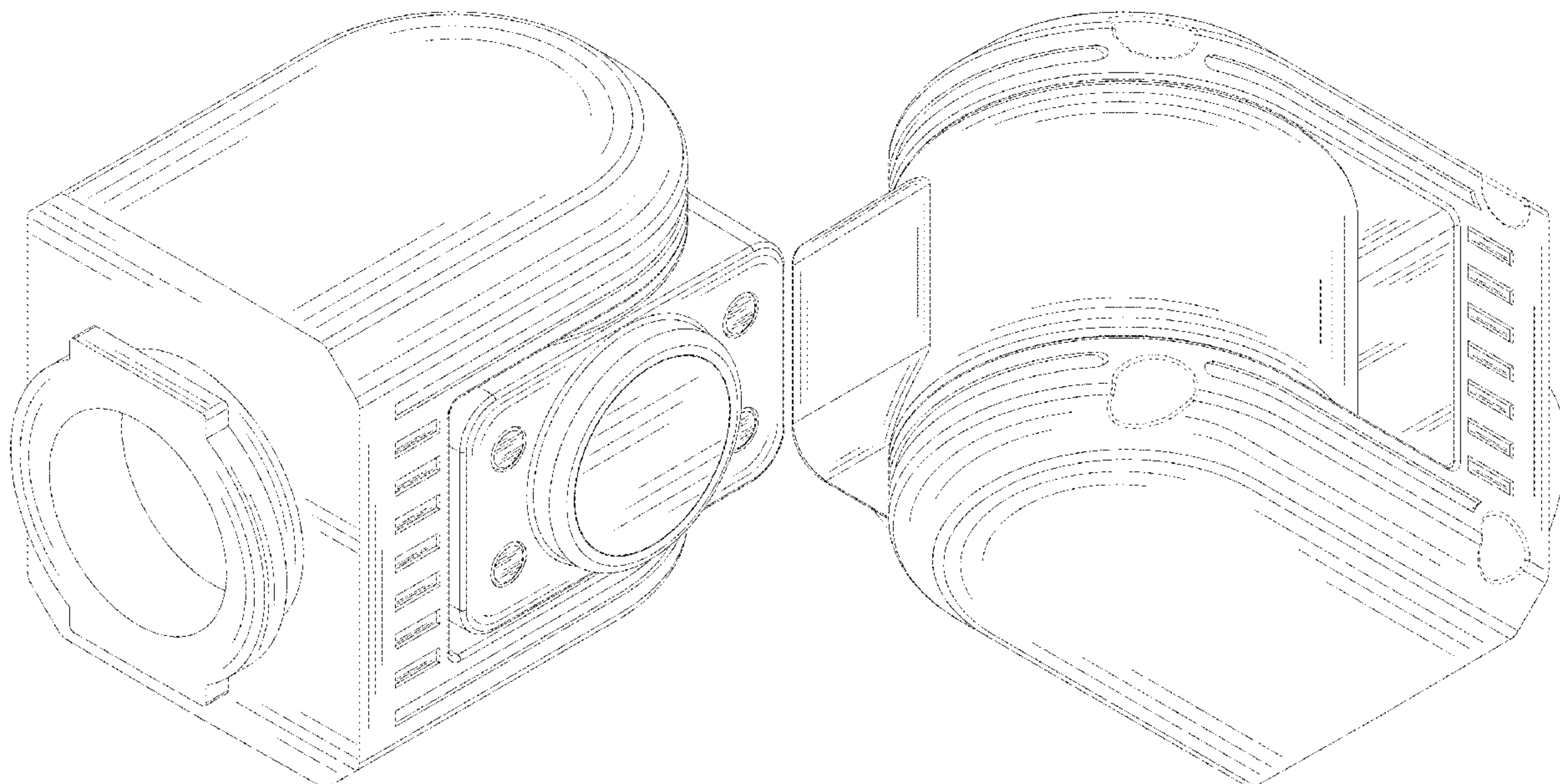
The ornamental design for a dashcam, as shown and described.

**DESCRIPTION**

FIG. 1 is a front elevation view of a dashcam showing the new design;  
FIG. 2 is a back elevation view thereof;  
FIG. 3 is a left side elevation view thereof;  
FIG. 4 is a right side elevation view thereof;  
FIG. 5 is a top plan view thereof;  
FIG. 6 is a bottom plan view thereof;  
FIG. 7 is a top, front and left side perspective view thereof;  
and,  
FIG. 8 is a bottom, back and right side perspective view thereof.  
The broken lines depict portions of the dashcam in which the design is embodied that form no part of the claimed design.

**1 Claim, 8 Drawing Sheets**

(56) **References Cited**  
U.S. PATENT DOCUMENTS  
D819,111 S 5/2018 Singh  
D849,817 S \* 5/2019 Wang ..... D16/218  
D860,290 S \* 9/2019 Lee ..... D16/208  
D861,764 S \* 10/2019 Zhao ..... D16/208  
D868,725 S \* 12/2019 Zhou ..... D14/167  
D884,053 S \* 5/2020 Lee ..... D16/208  
D884,054 S \* 5/2020 Mihara ..... D16/208  
D888,802 S \* 6/2020 Hsu ..... D16/208  
D888,803 S \* 6/2020 Hsu ..... D16/218  
D904,486 S \* 12/2020 Xiong ..... D16/208



(56)

**References Cited**

OTHER PUBLICATIONS

WiFi GPS Dash Cam, 2K Front and Rear Dash Camera for Cars Night Vision WDR Dashcam with 3 Inches, 170° Wide Angle, Loop Recording, G-Sensor, Parking Monitor, Free 32GB Card, from Amazon.com, printed on Nov. 25, 2022.

4K Dash Cam Built in WiFi GPS, Car Camera Dash Cam Front, Dash Camera for Cars, UHD 2160P Dashcam with Supercapacitor, 24H Parking Monitor, G-Sensor, Loop Recording, Night Vision, from Amazon.com, printed on Nov. 25, 2022.

Vantrue S1 4K Dual Dash Cam Built in GPS, Front and Rear Dual 1080P Dash Camera with 24 Hours Parking Mode, Sony Night Vision, Motion Detection, Capacitor, Single Front 60fps, Support 256GB Max, from Amazon.com, printed an Nov. 25, 2022.

\* cited by examiner

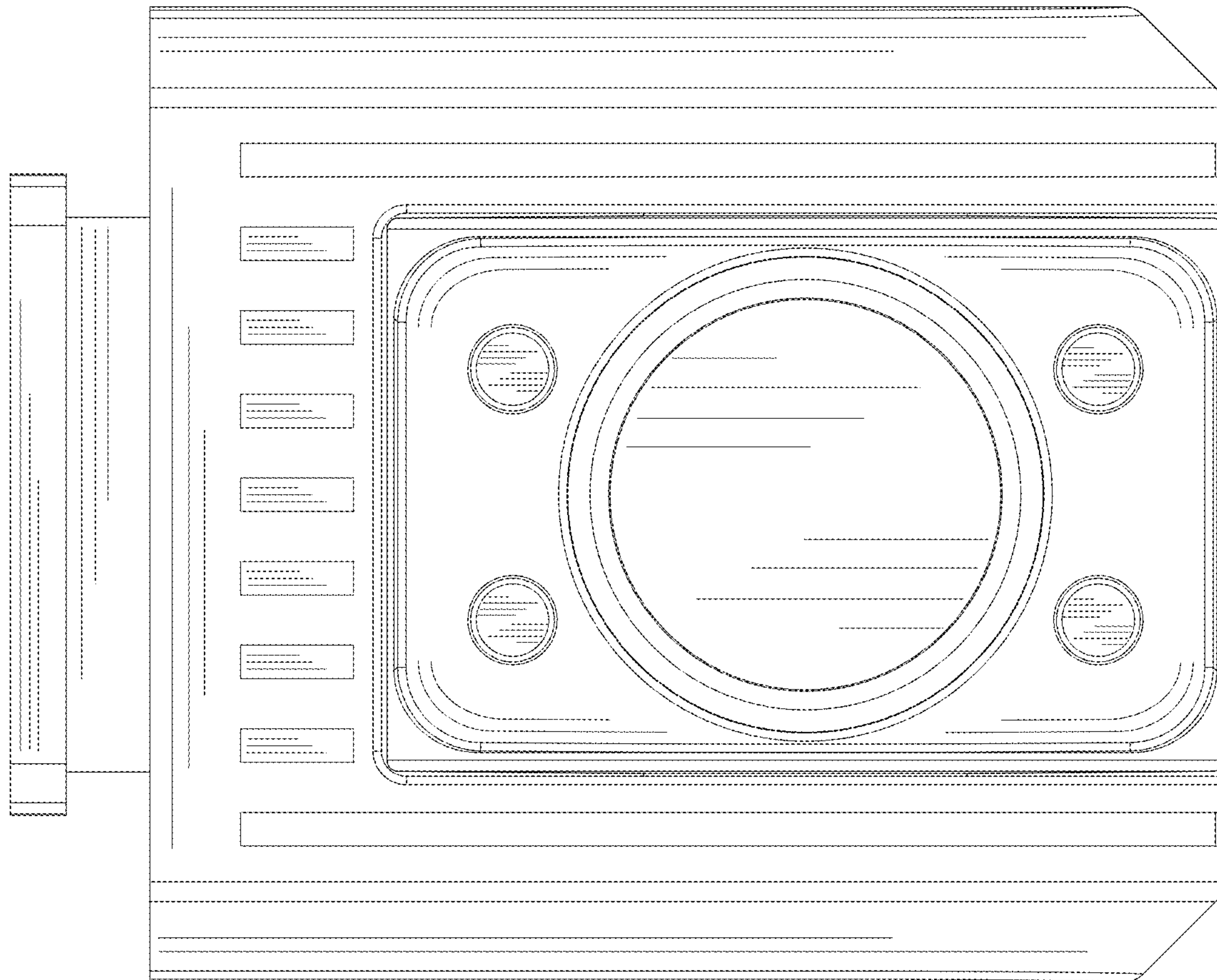


FIG. 1

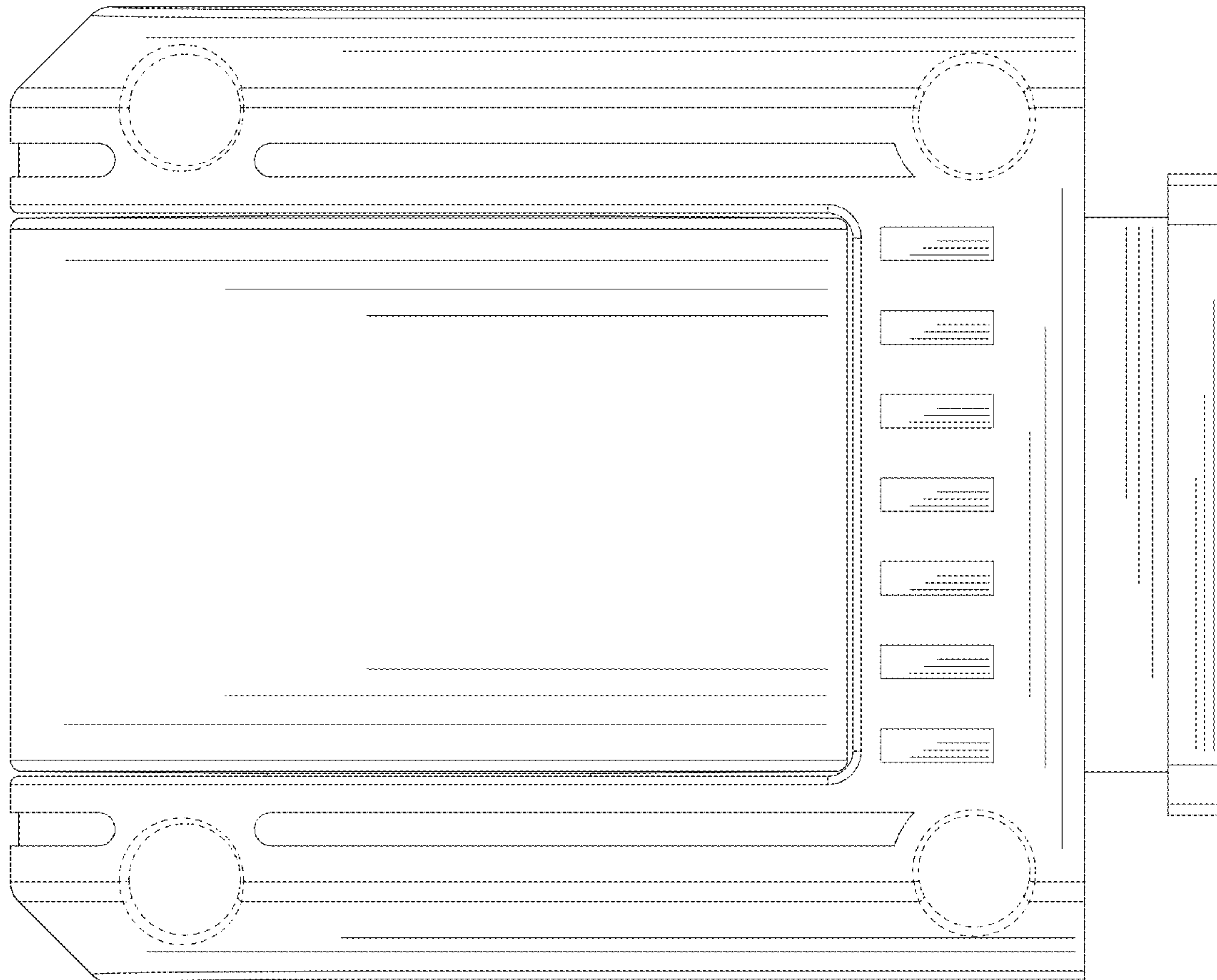


FIG. 2



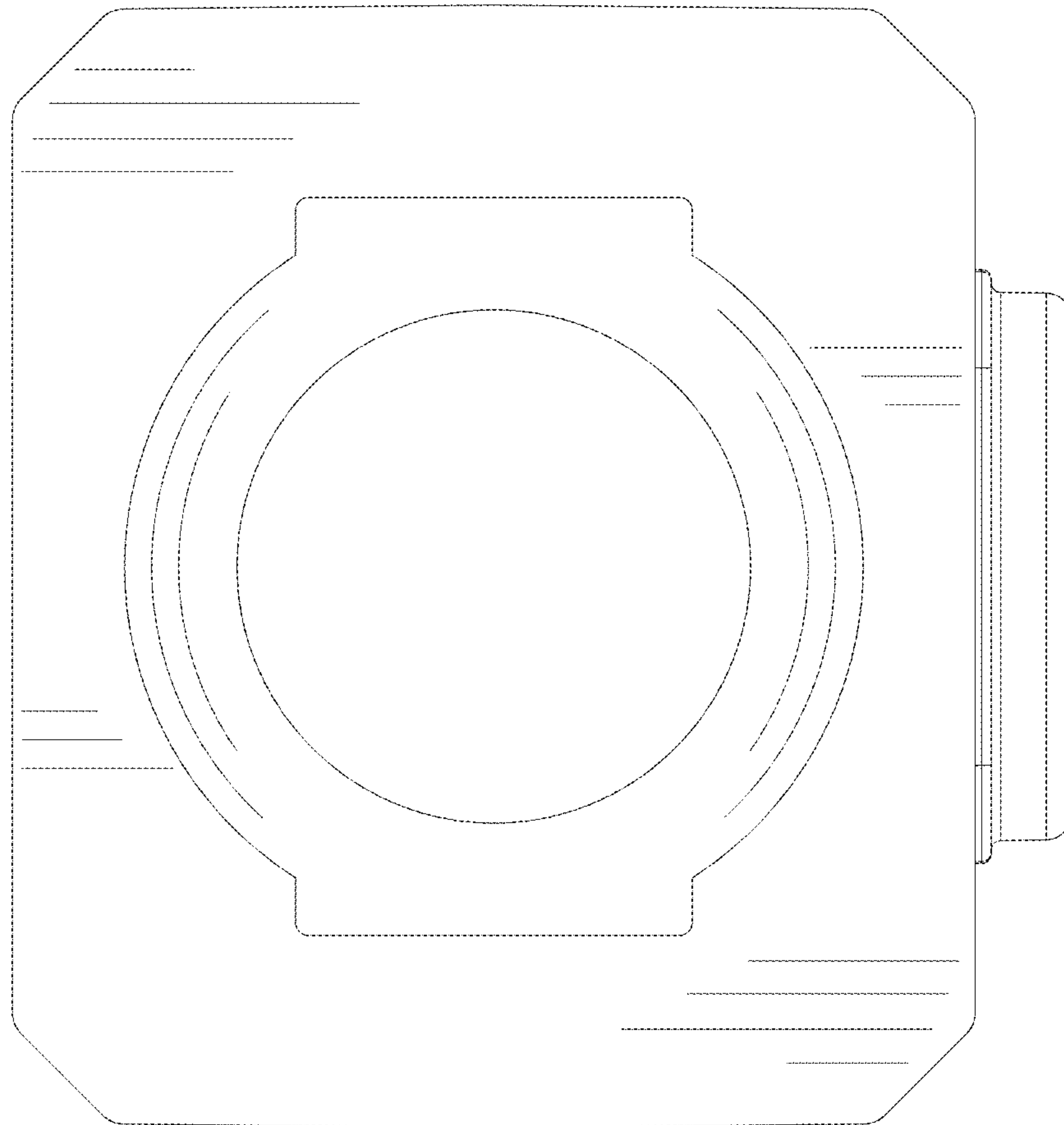


FIG. 3

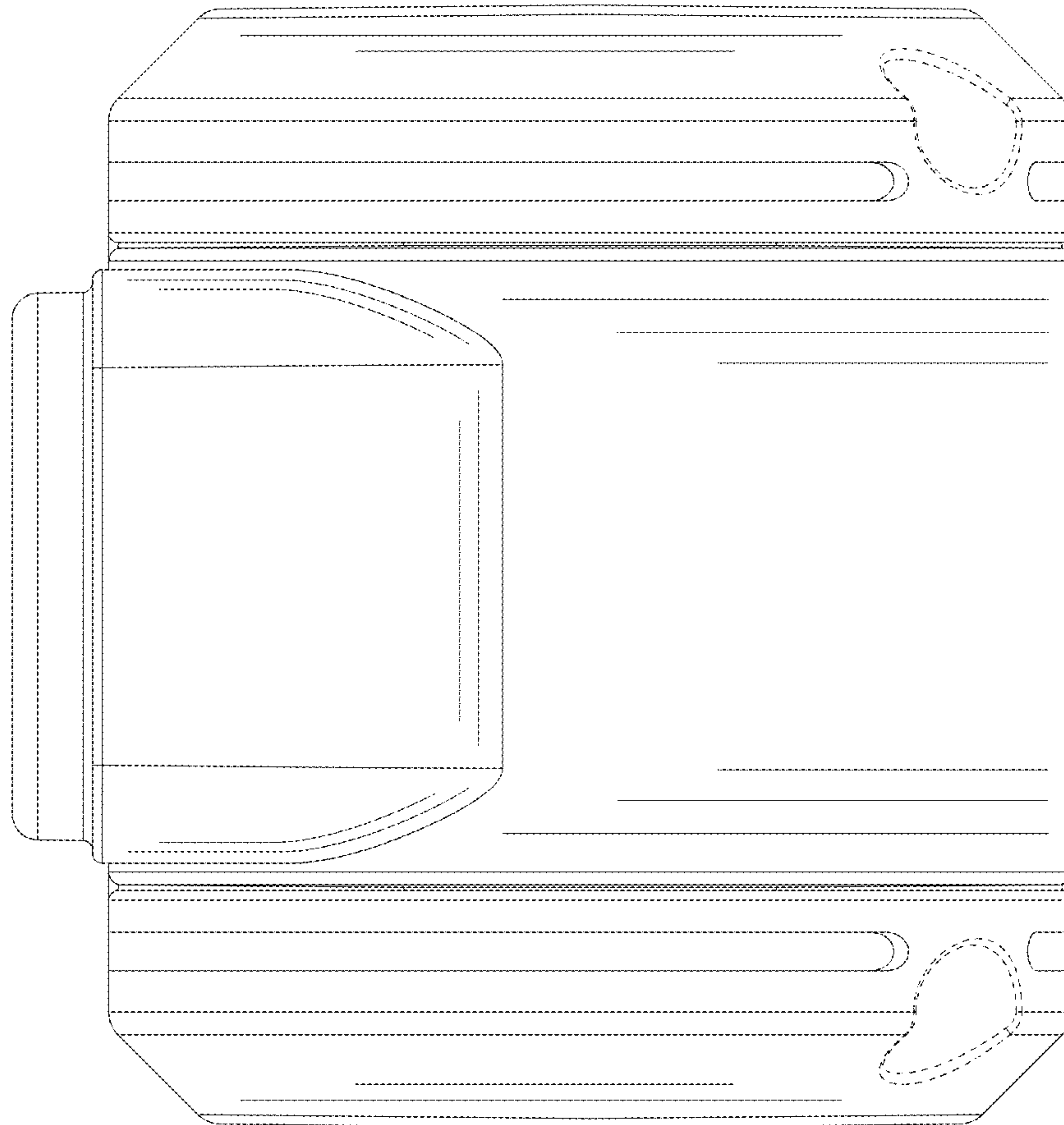


FIG. 4

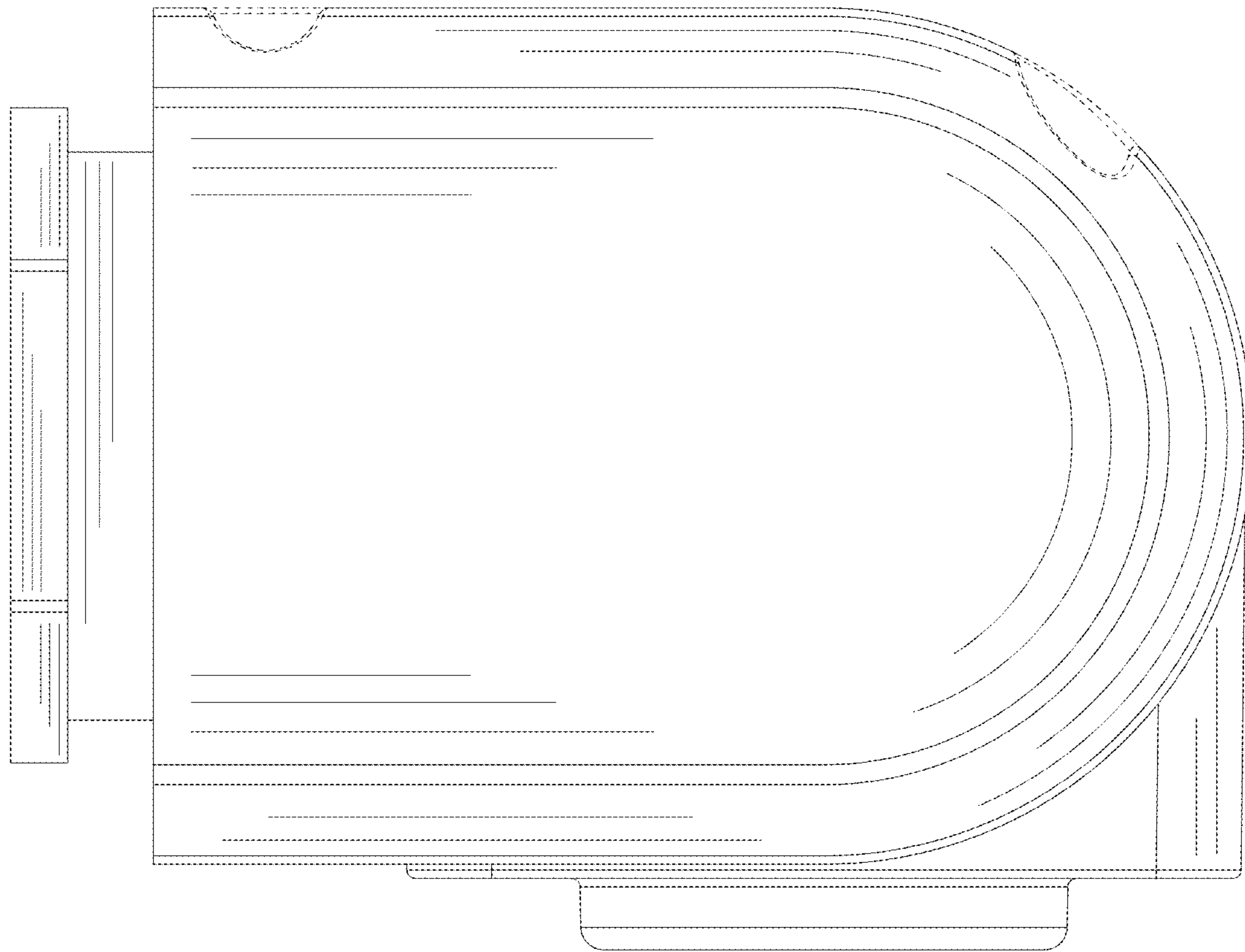


FIG. 5

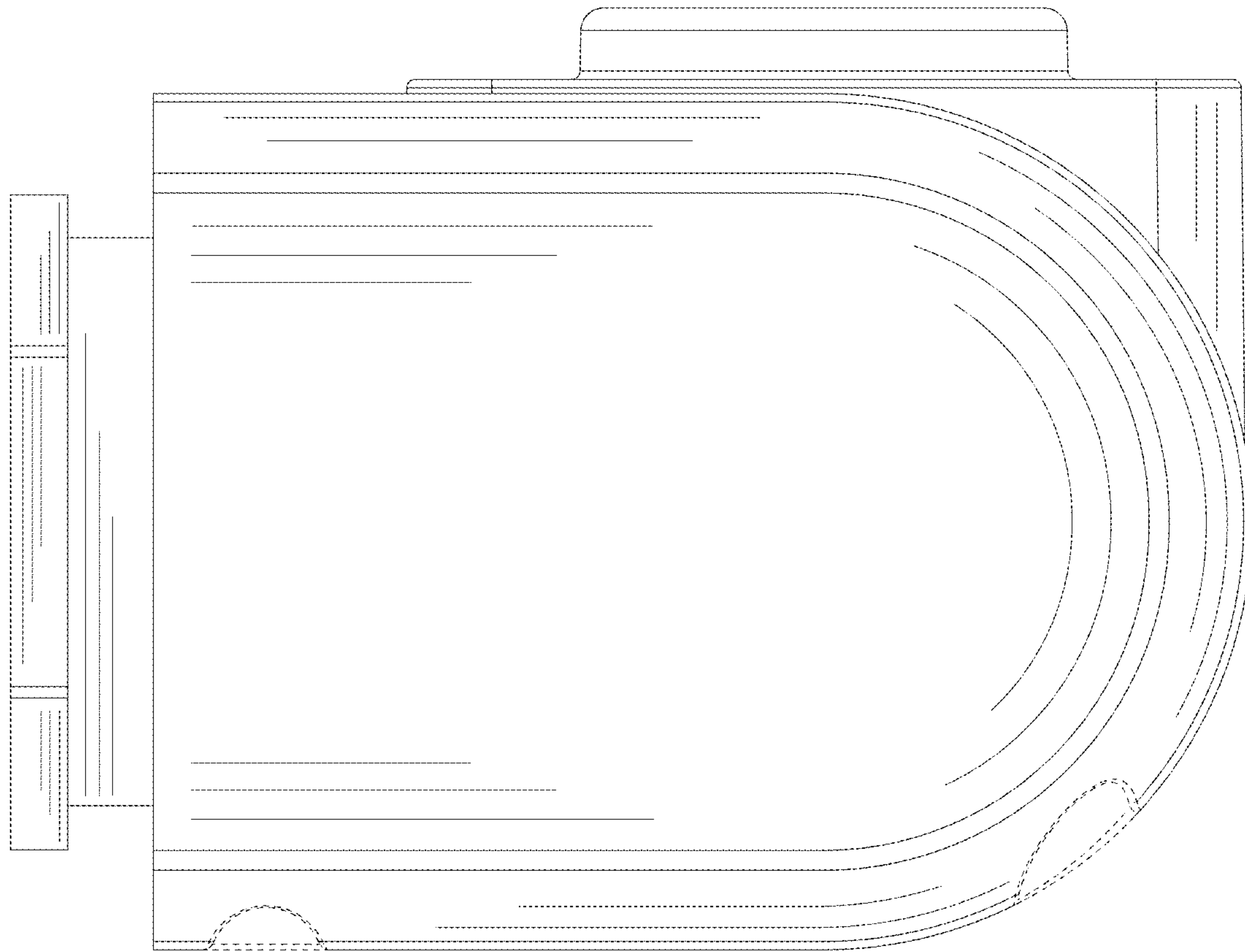


FIG. 6



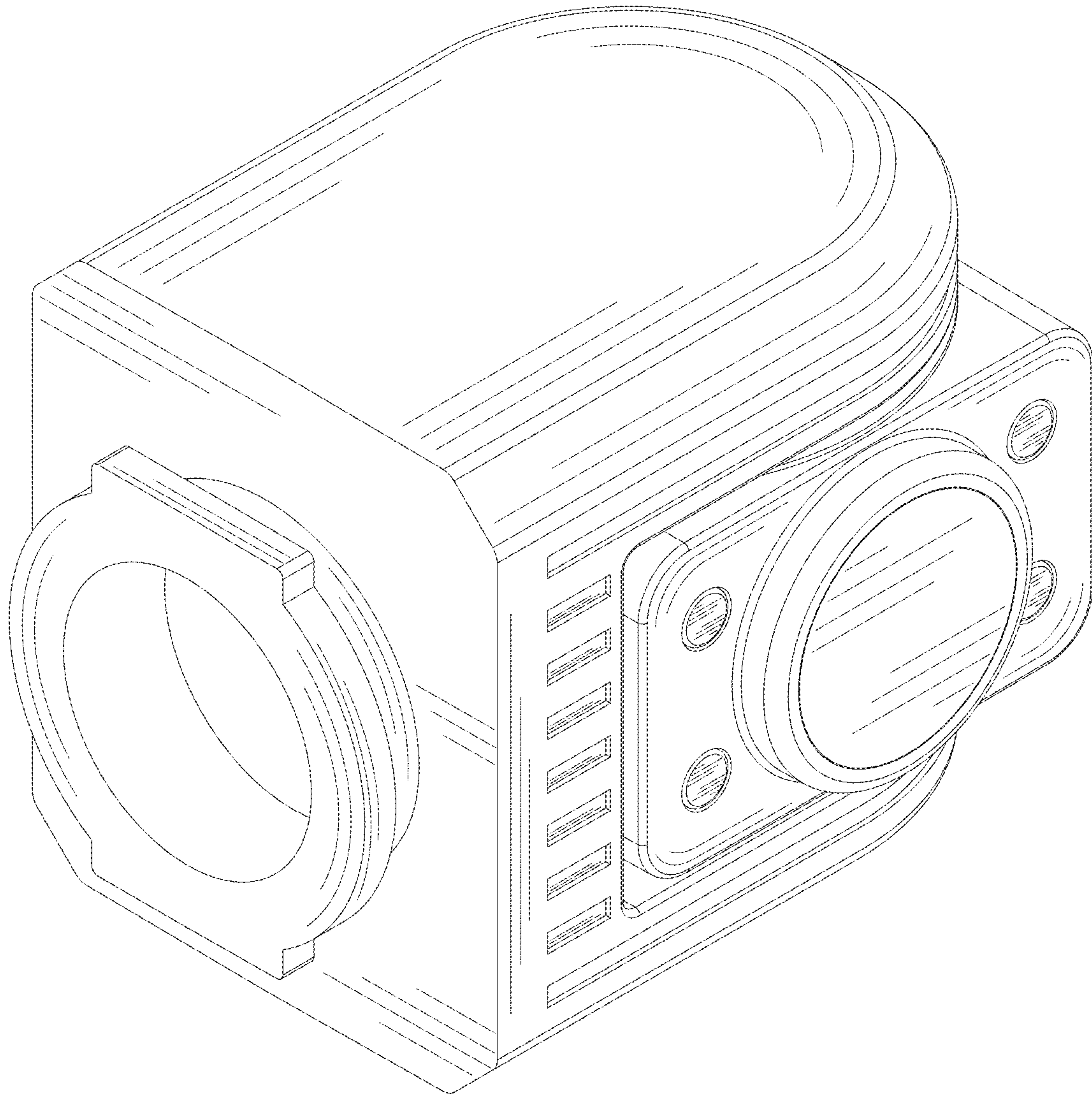


FIG. 7

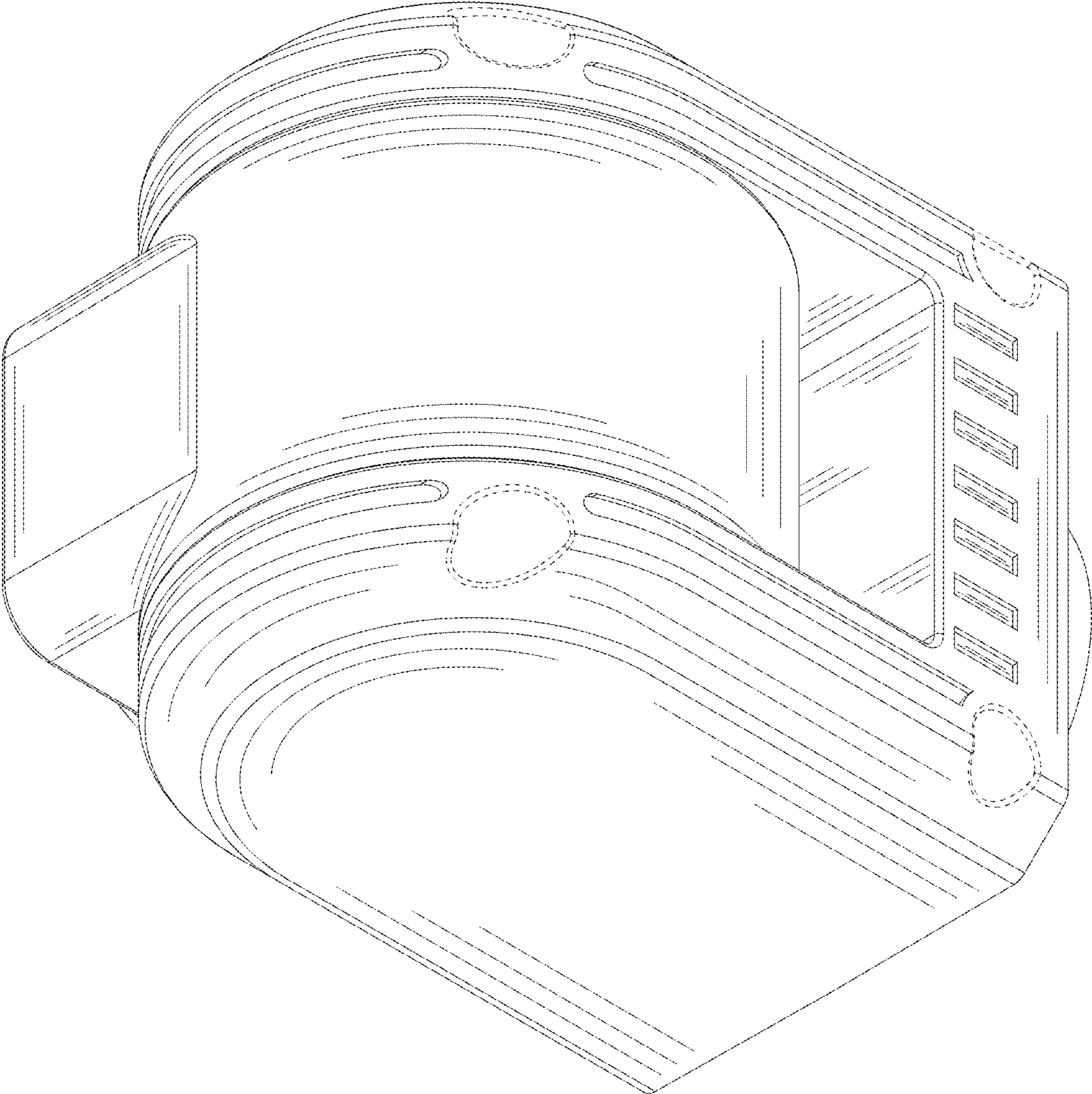


FIG. 8