



US00D977552S

(12) **United States Design Patent** (10) **Patent No.:** **US D977,552 S**  
**Lee** (45) **Date of Patent:** **\*\* Feb. 7, 2023**

(54) **CAR REARVIEW CAMERA**  
(71) Applicant: **THINKWARE CORPORATION,**  
Seongnam-si (KR)  
(72) Inventor: **Yong Lee,** Seongnam-si (KR)  
(73) Assignee: **Thinkware Corporation,** Seongnam-si  
(KR)

D637,640 S \* 5/2011 Park ..... D16/203  
D691,187 S \* 10/2013 Seo ..... D16/203  
D719,996 S \* 12/2014 Wu ..... D16/202  
D849,098 S \* 5/2019 Kapuria ..... D16/208  
D857,078 S \* 8/2019 Xue ..... D16/203  
D858,603 S \* 9/2019 Ye ..... D16/203  
D858,604 S \* 9/2019 Clement ..... D16/203  
D876,510 S \* 2/2020 Garre ..... D16/203  
D887,474 S \* 6/2020 Yeh ..... D16/203  
D902,973 S \* 11/2020 Homza ..... D16/202  
D940,778 S \* 1/2022 Tiersen ..... D16/203

(\*\*) Term: **15 Years**

\* cited by examiner

(21) Appl. No.: **29/695,283**

*Primary Examiner* — Ramzi Almatrahi

(22) Filed: **Jun. 18, 2019**

(74) *Attorney, Agent, or Firm* — Saliwanchik, Lloyd & Eisenschenk

(30) **Foreign Application Priority Data**

Dec. 18, 2018 (KR) ..... 30-2018-0059744

(51) **LOC (14) Cl.** ..... **16-01**

(52) **U.S. Cl.**  
USPC ..... **D16/208; D16/203**

(58) **Field of Classification Search**  
USPC ..... D16/200, 202–206, 208, 218, 219, 242;  
348/164, 347, 373–376; 396/535,  
396/539–541

CPC ..... G03B 15/03; G03B 17/02; G03B 17/04;  
G03B 17/56; G03B 19/04; H04N 5/2251;  
H04N 5/2252; H04N 5/2253; H04N  
5/2254; H04N 2101/00; H04N 5/33;  
H04N 5/332

See application file for complete search history.

(56) **References Cited**

**U.S. PATENT DOCUMENTS**

D585,926 S \* 2/2009 Su ..... D16/203  
D634,345 S \* 3/2011 Kim ..... D16/203

(57) **CLAIM**

The ornamental design for a car rearview camera, as shown and described.

**DESCRIPTION**

FIG. 1 is a front perspective view of a car rearview camera showing my new design;

FIG. 2 is a front elevation view thereof;

FIG. 3 is a rear elevation view thereof;

FIG. 4 is a left side elevation view thereof;

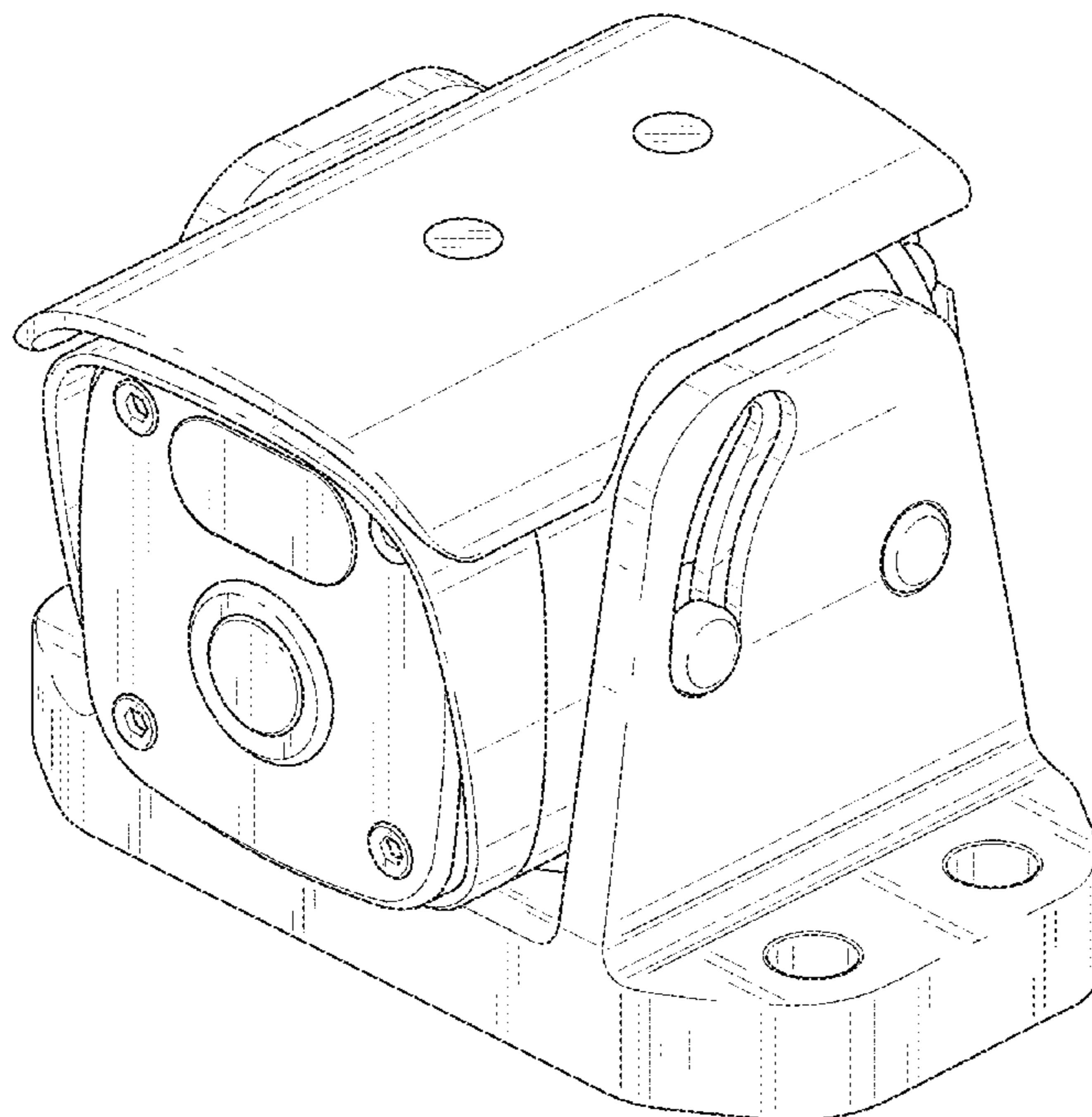
FIG. 5 is a right side elevation view thereof;

FIG. 6 is a top plan view thereof; and,

FIG. 7 is a bottom plan view thereof.

The broken lines depict portions of the car rearview camera that form no part of the claimed design.

**1 Claim, 7 Drawing Sheets**



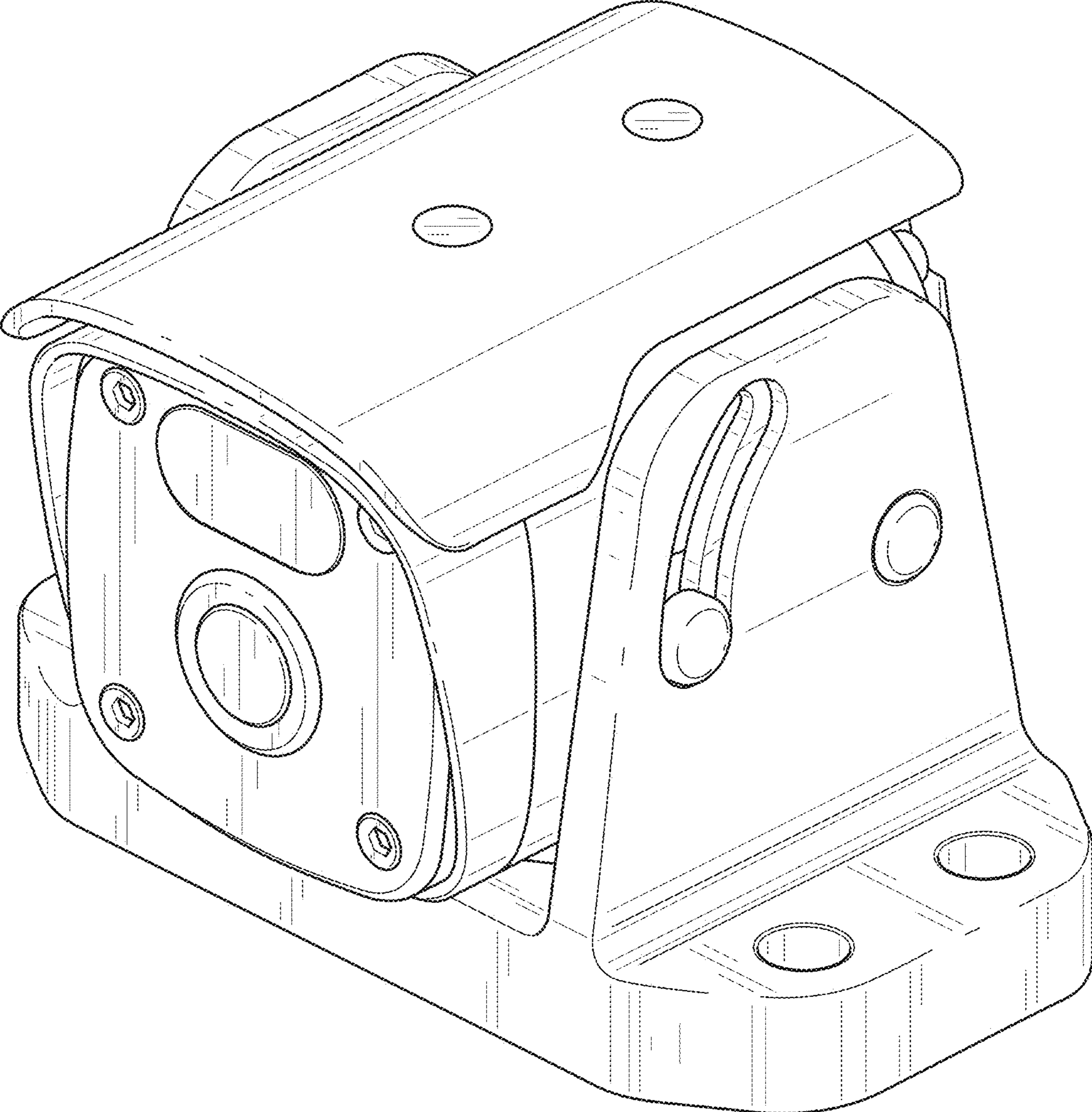


FIG. 1

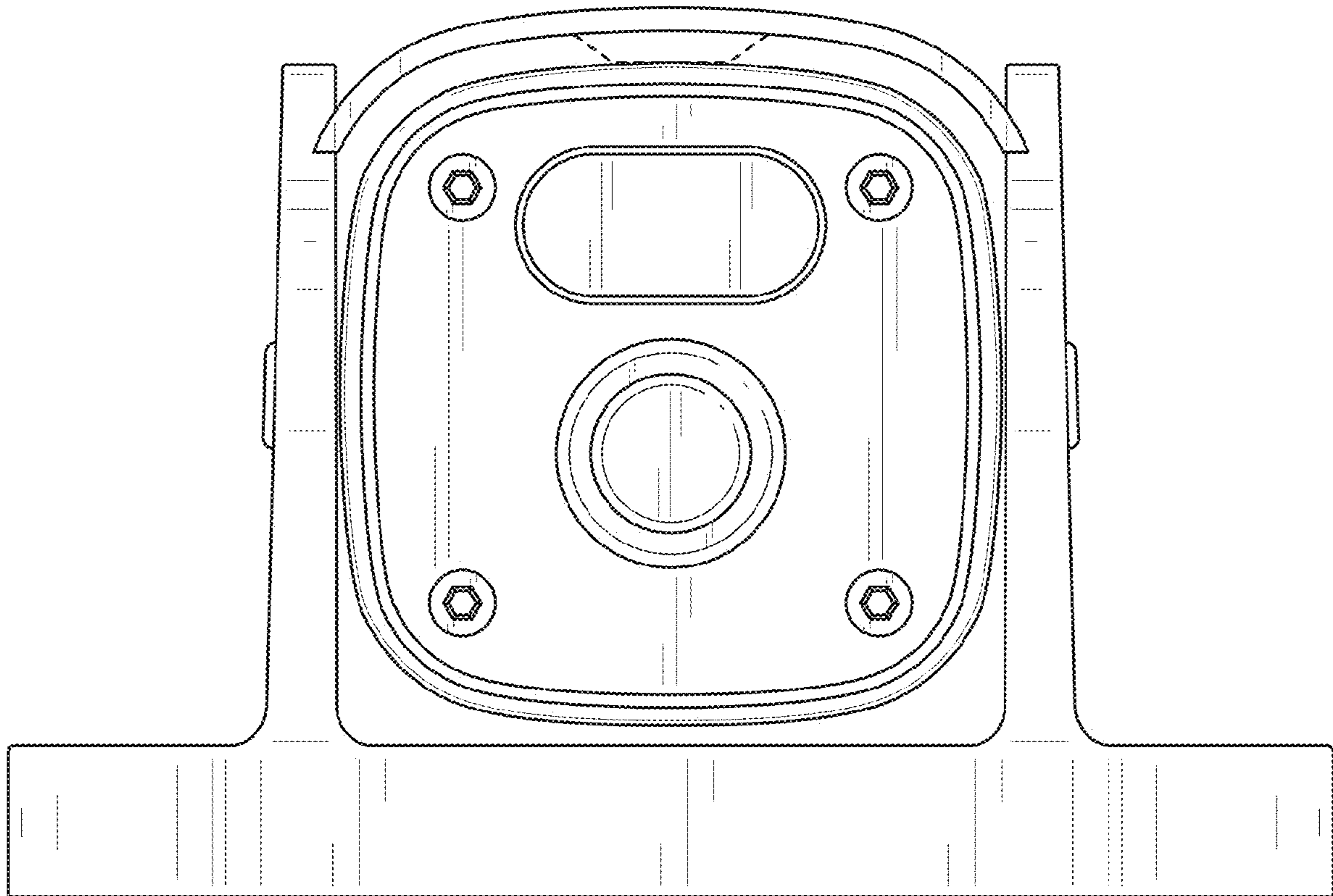


FIG. 2

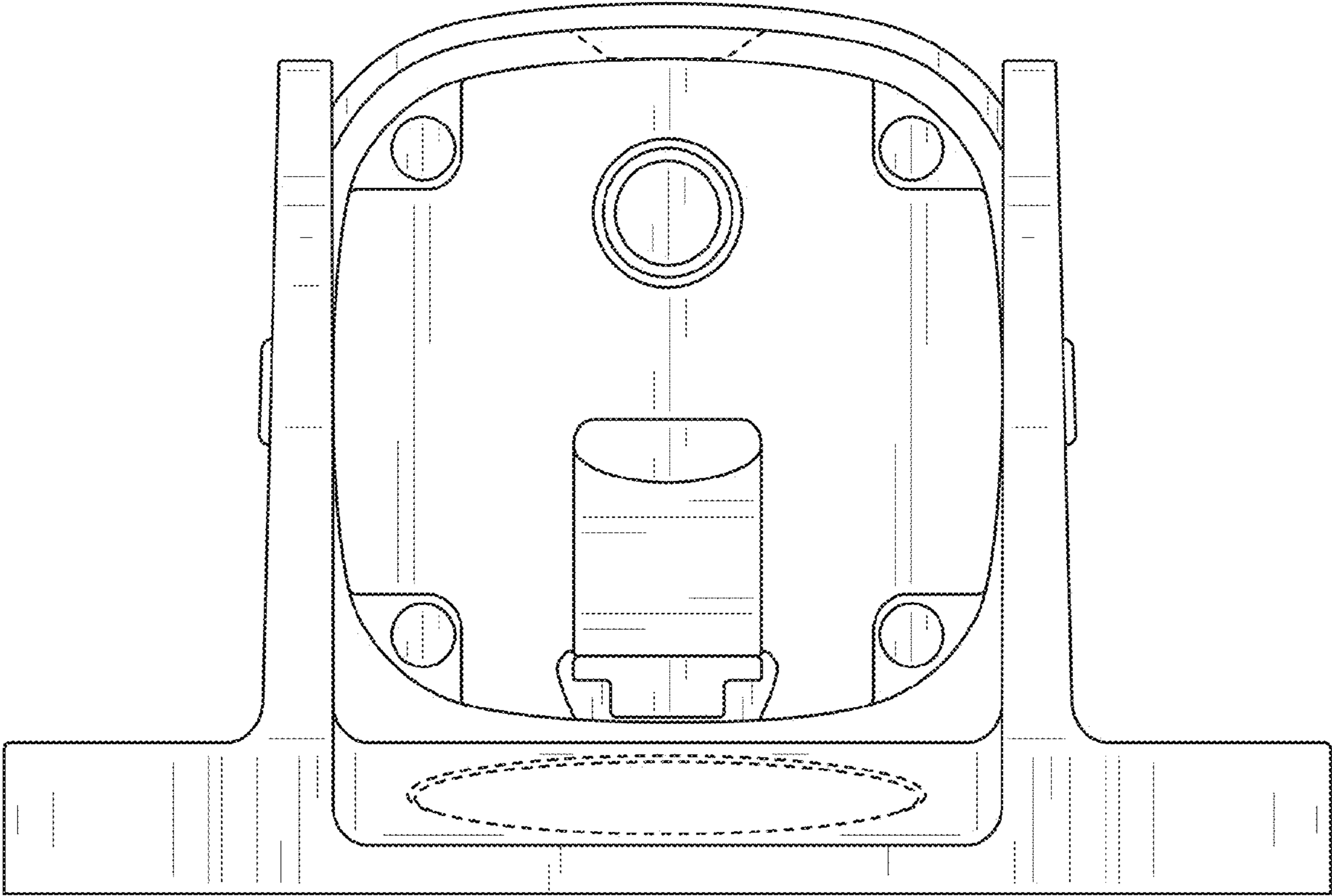


FIG. 3



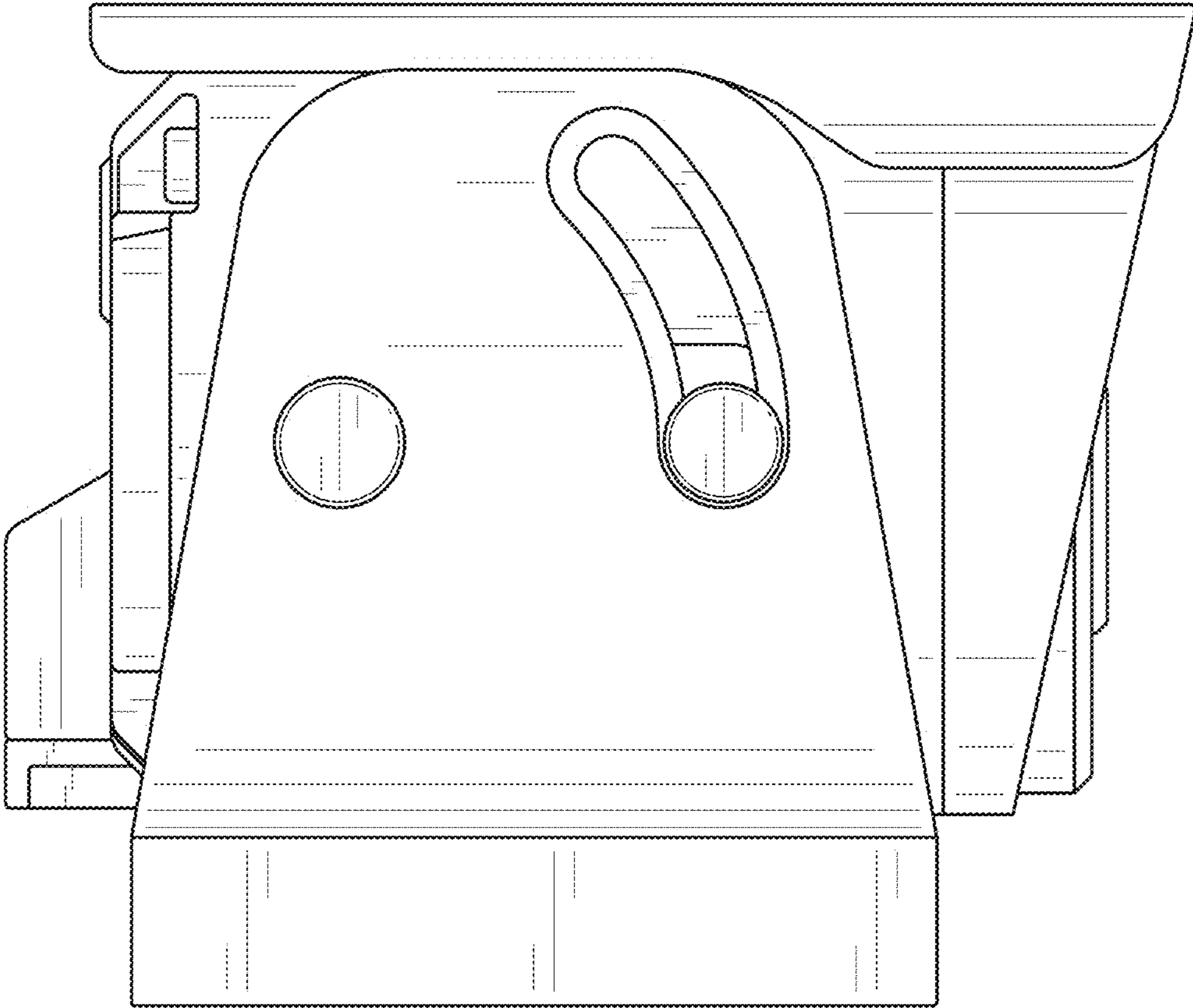


FIG. 4

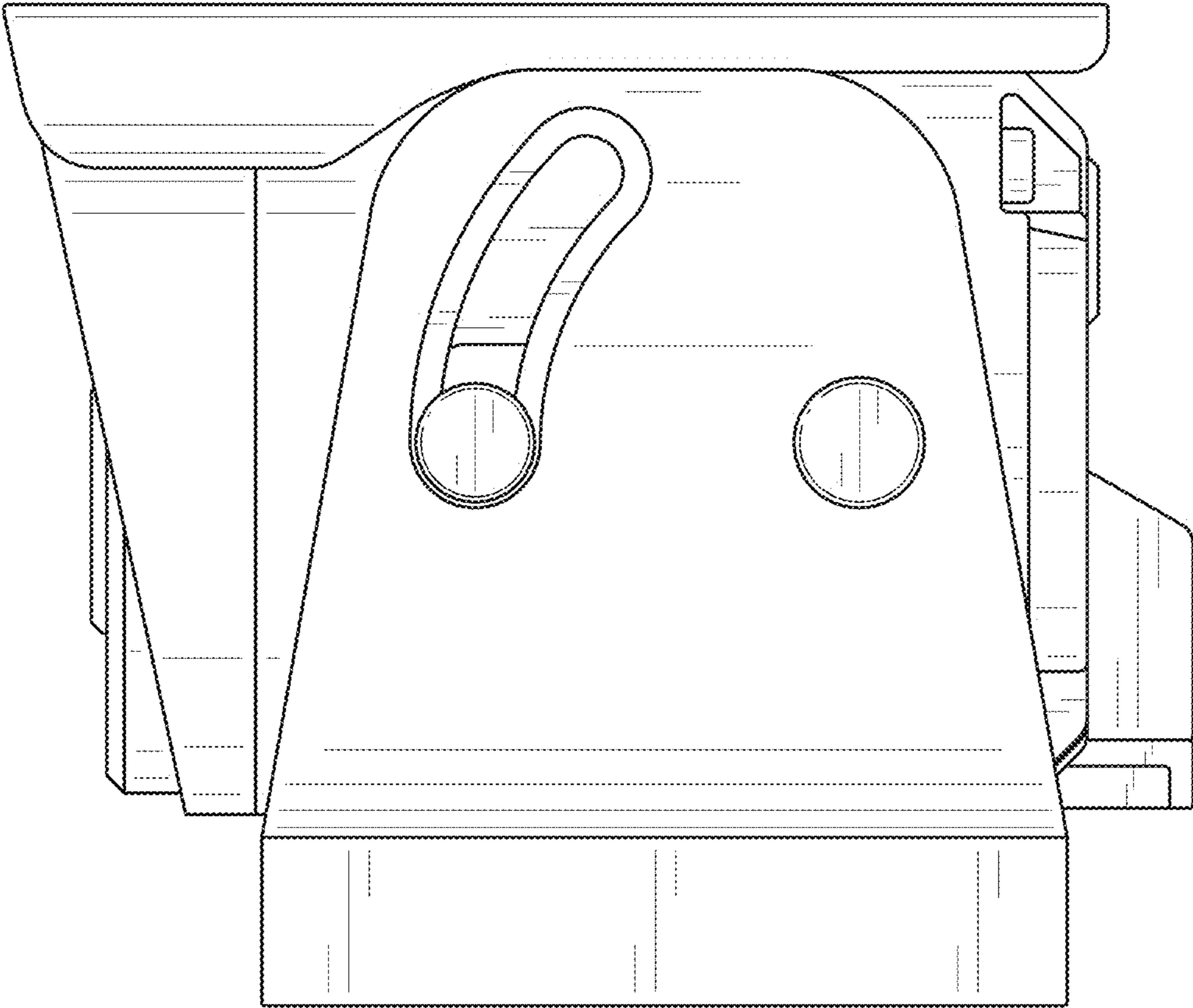


FIG. 5

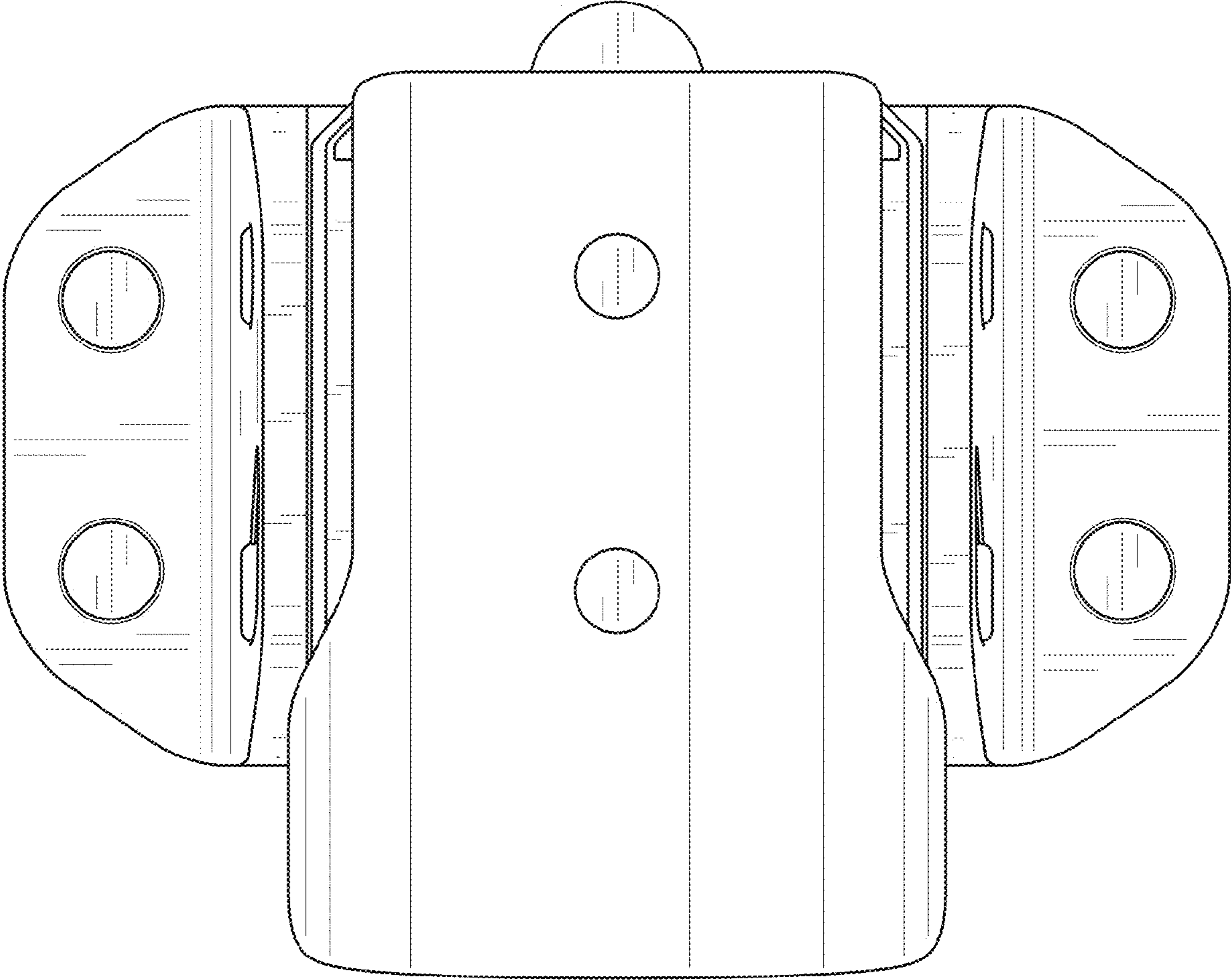


FIG. 6

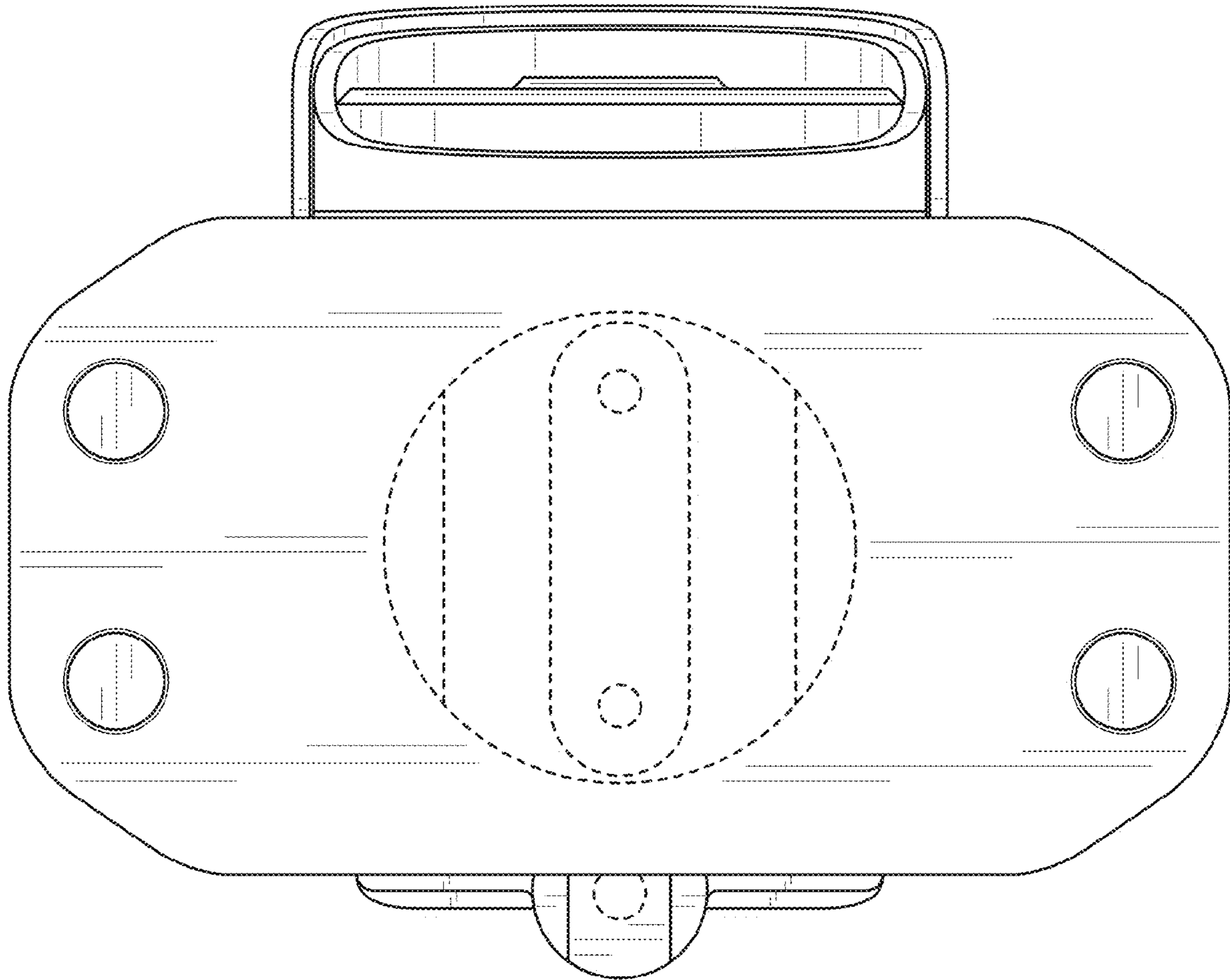


FIG. 7