



US00D977551S

(12) **United States Design Patent**
Li

(10) **Patent No.:** **US D977,551 S**
(45) **Date of Patent:** **** Feb. 7, 2023**

(54) **TRAIL CAMERA**

(71) Applicant: **SHENZHEN SUNTEK INTELLIGENT TECHNOLOGY CO., LTD.**, Shenzhen (CN)

(72) Inventor: **Banghe Li**, Shenzhen (CN)

(**) Term: **15 Years**

(21) Appl. No.: **29/804,233**

(22) Filed: **Aug. 19, 2021**

(51) **LOC (14) Cl.** **16-01**

(52) **U.S. Cl.**
USPC **D16/203**

(58) **Field of Classification Search**
USPC D16/200, 202–206, 218, 219, 242
CPC G03B 17/02; G03B 19/04; G03B 17/56;
G03B 17/04; G03B 15/03; H04N 5/2251;
H04N 5/2252; H04N 5/2253; H04N
5/2254; F16M 11/04

See application file for complete search history.

(56) **References Cited**

U.S. PATENT DOCUMENTS

D828,427 S *	9/2018	Wu	D16/203
D888,125 S *	6/2020	Wang	D16/203
D918,986 S *	5/2021	Yu	D16/218
D920,416 S *	5/2021	Jiang	D16/203
D928,215 S *	8/2021	Jiang	D16/203
D928,216 S *	8/2021	Jiang	D16/203
D928,217 S *	8/2021	Jiang	D16/203

D932,535 S *	10/2021	Yu	D16/203
D945,512 S *	3/2022	Yu	D16/203
D956,849 S *	7/2022	Yu	D16/203
D957,502 S *	7/2022	Jiang	D16/203
D958,867 S *	7/2022	Jiang	D16/203
D960,952 S *	8/2022	Chen	D16/203

* cited by examiner

Primary Examiner — Ramzi Almatrahi

(74) *Attorney, Agent, or Firm* — Novoclaims Patent Services LLC

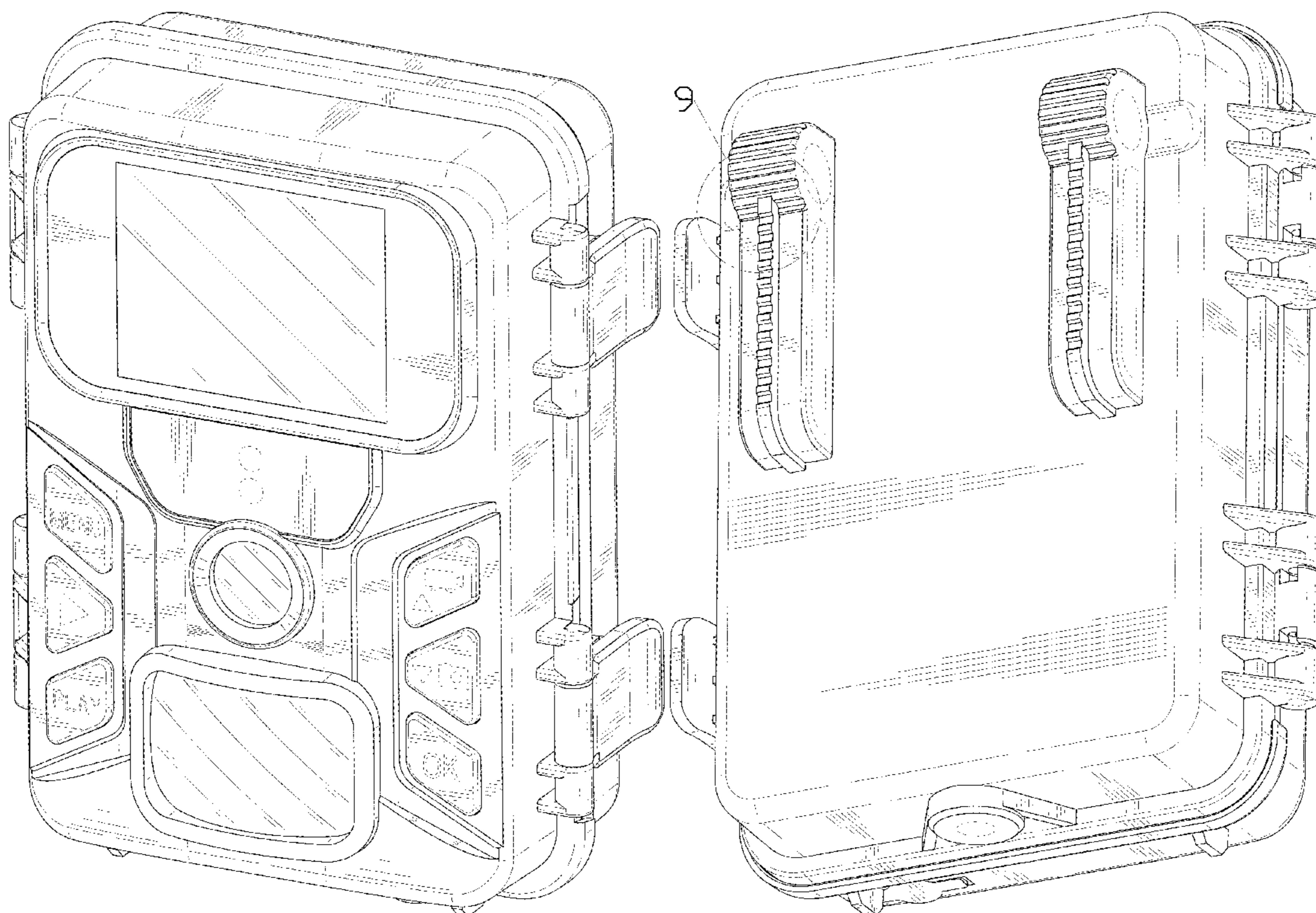
(57) **CLAIM**

The ornamental design for a trail camera, as shown and described.

DESCRIPTION

FIG. 1 is a top, front and right side perspective view of a trail camera showing my new design;
 FIG. 2 is a bottom, rear and left side perspective view thereof;
 FIG. 3 is a front elevational view thereof;
 FIG. 4 is a rear elevational view thereof;
 FIG. 5 is a left side elevational view thereof;
 FIG. 6 is a right side elevational view thereof;
 FIG. 7 is a top plan view thereof;
 FIG. 8 is a bottom plan view thereof; and,
 FIG. 9 is an enlarged view of portion 9 shown in FIG. 2.
 The dash-dash broken lines in the drawings depict portions of the trail camera that form no part of the claimed design. The dot-dash broken lines represent boundaries of the enlarged portion and form no part of the claimed design.

1 Claim, 9 Drawing Sheets



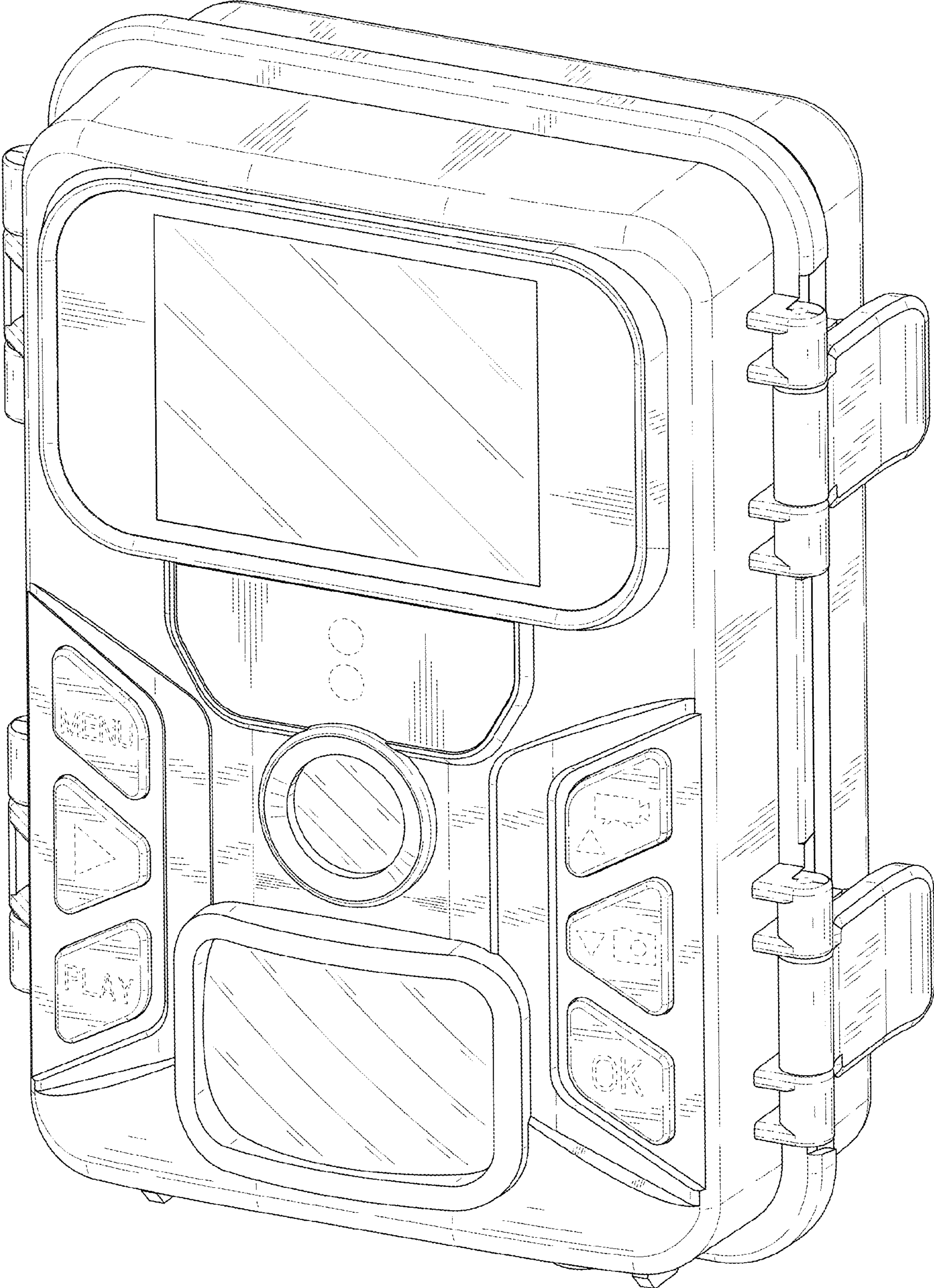


FIG. 1

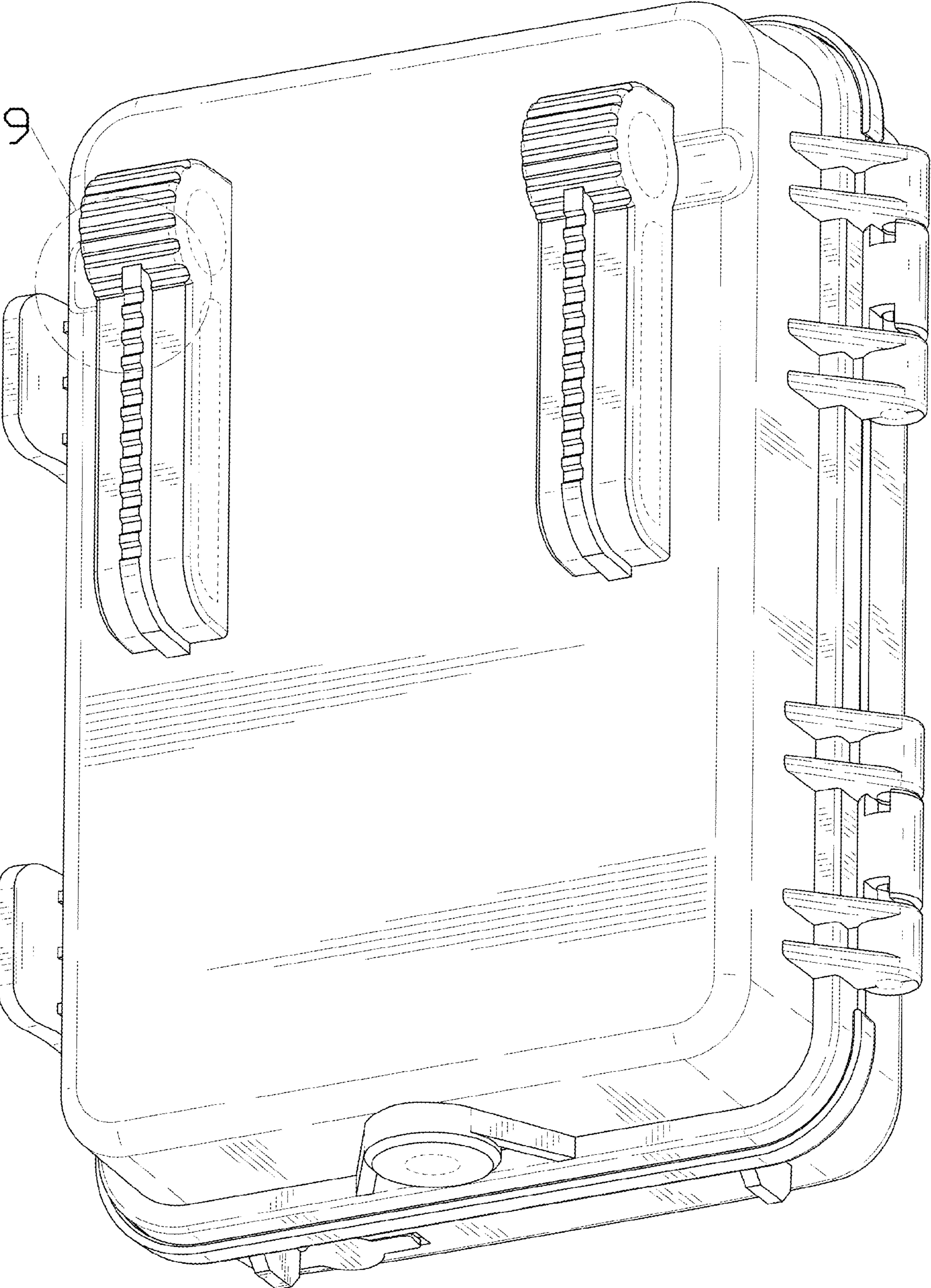


FIG. 2

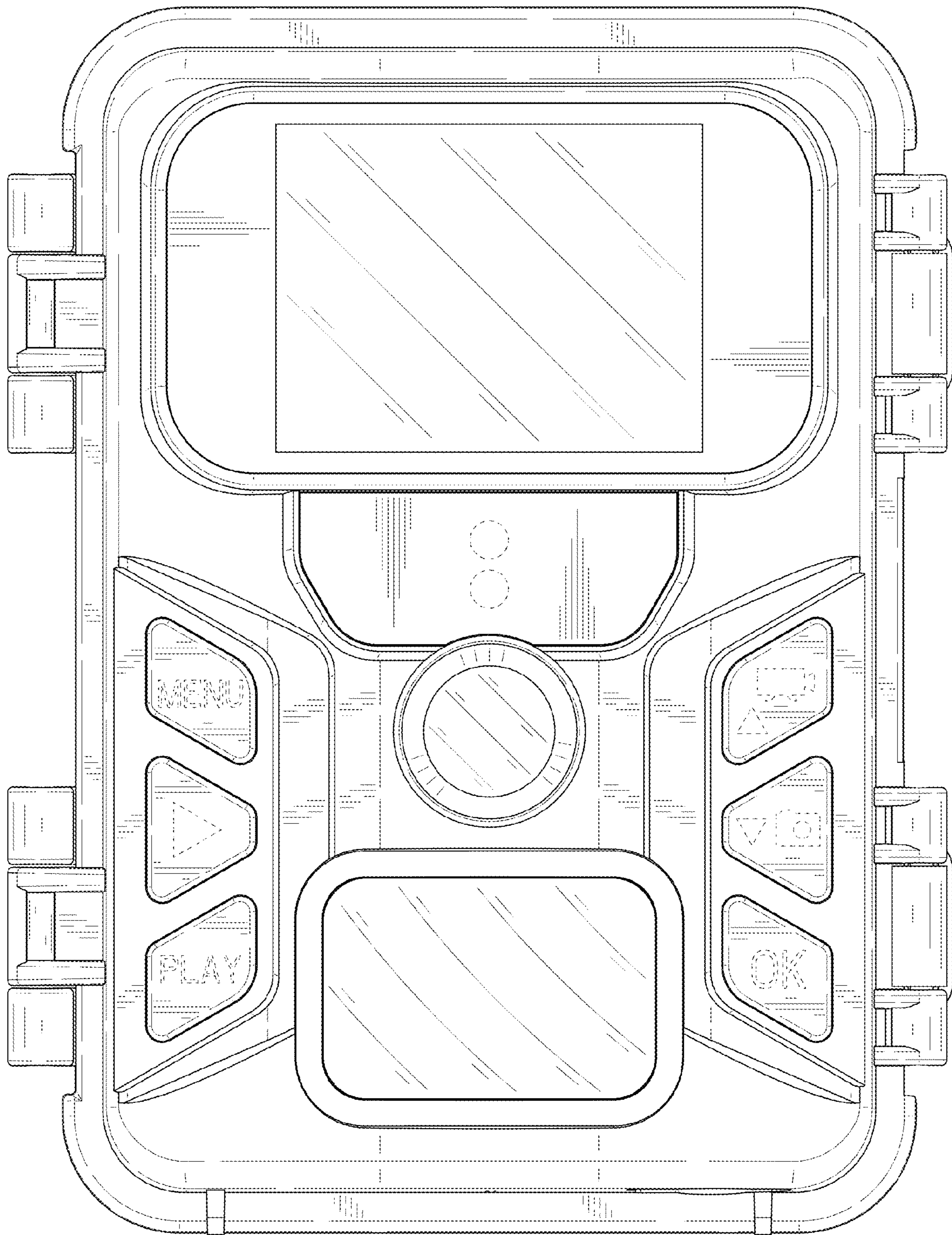


FIG. 3

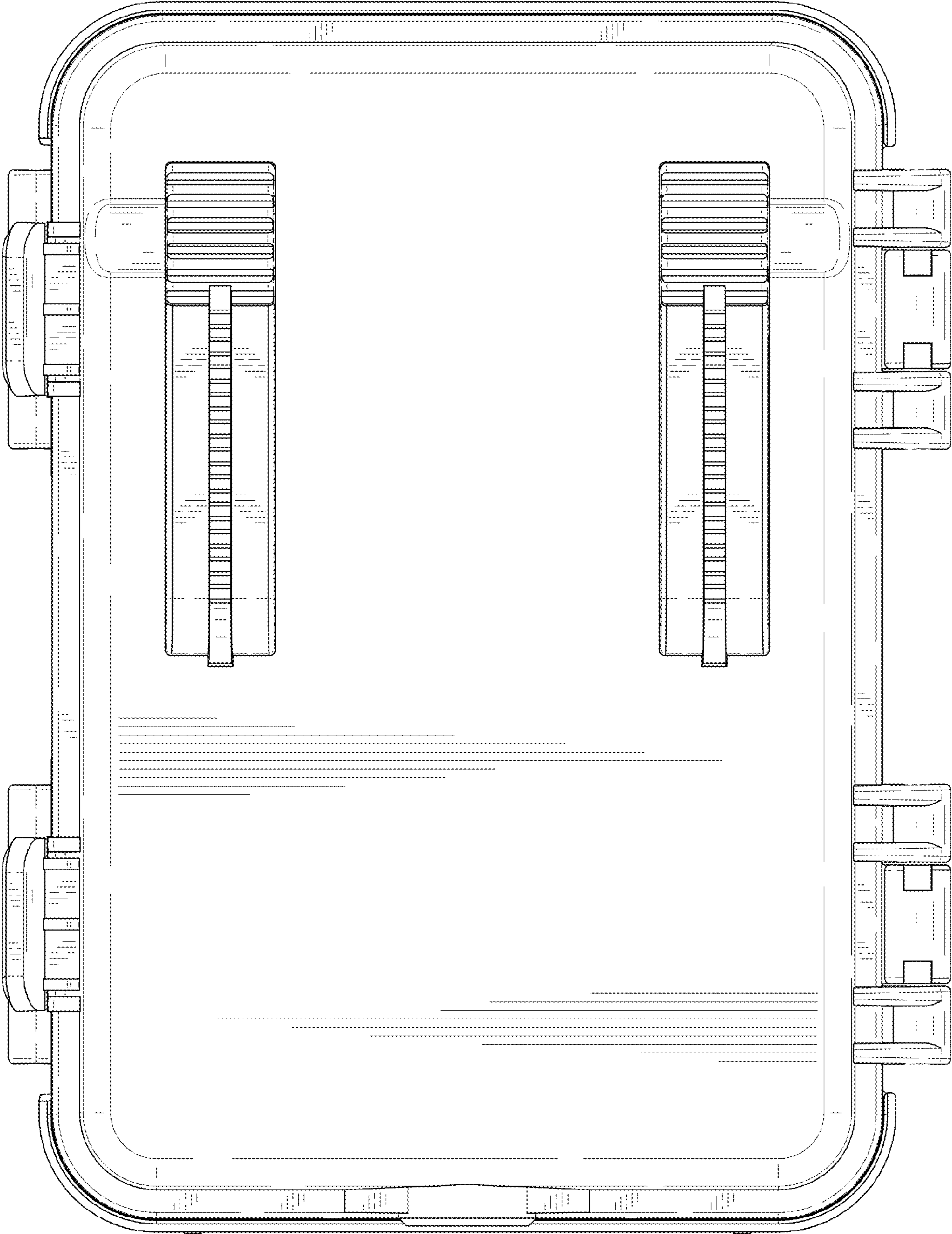


FIG. 4

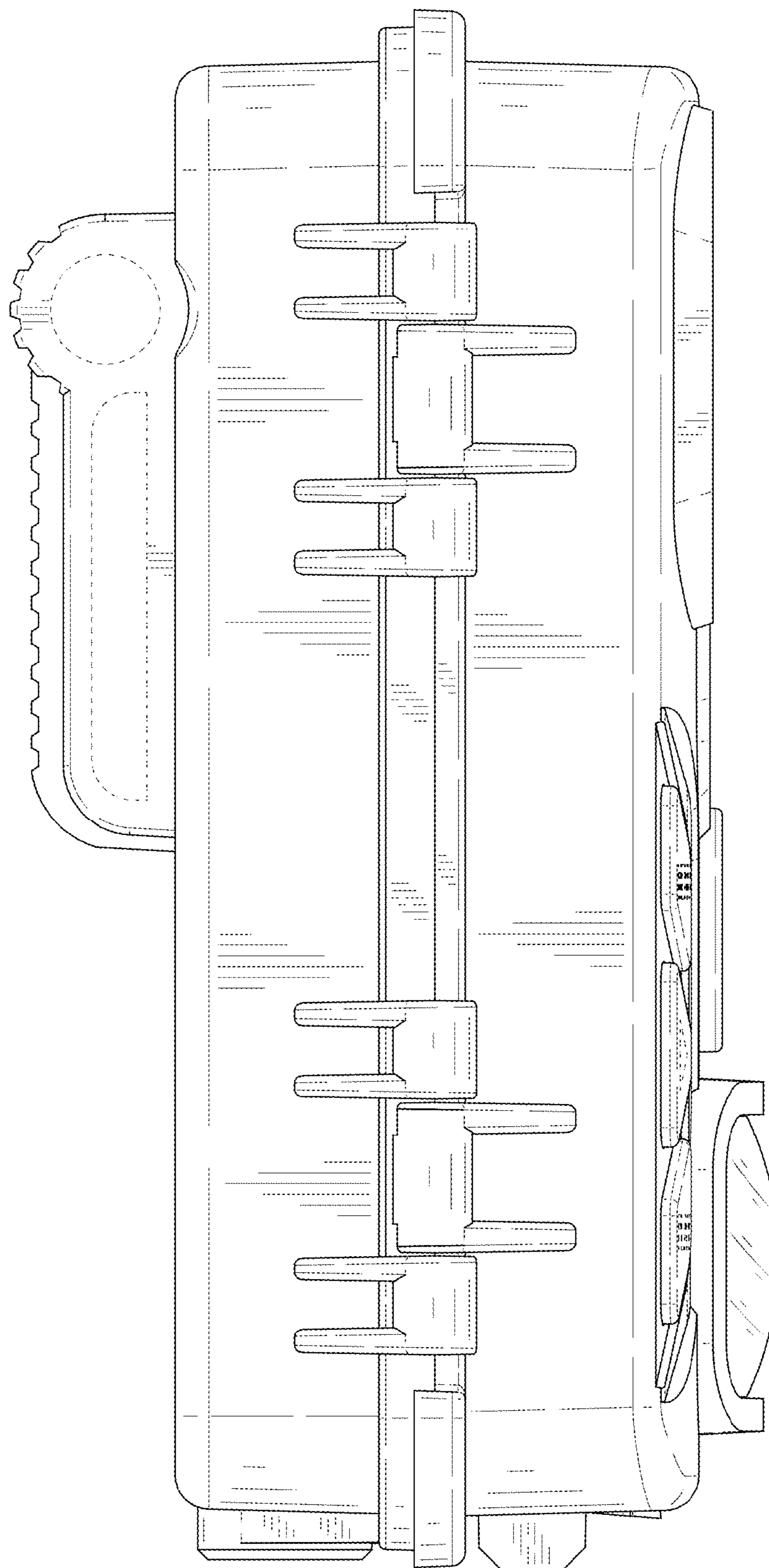


FIG. 5

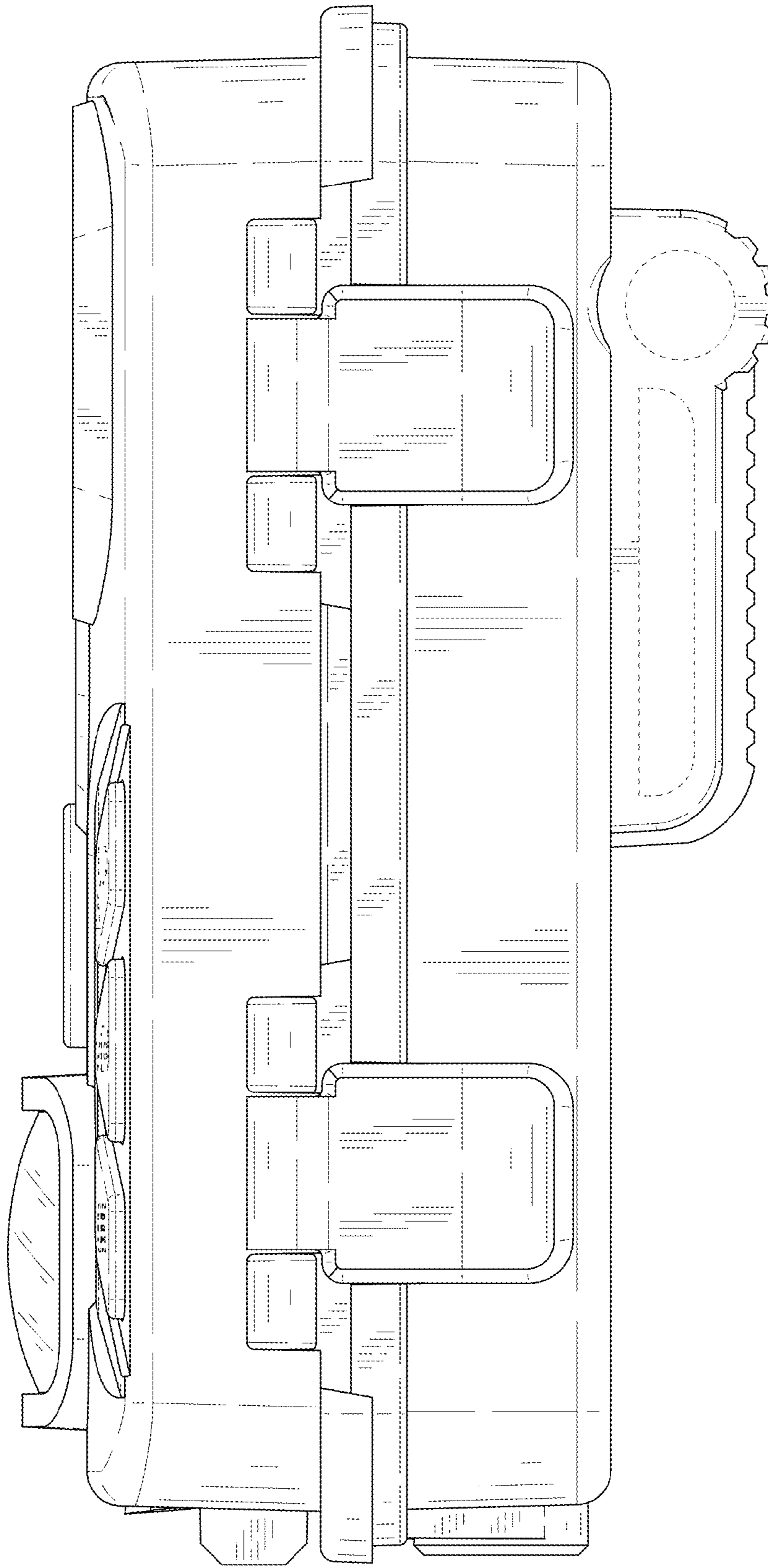


FIG. 6

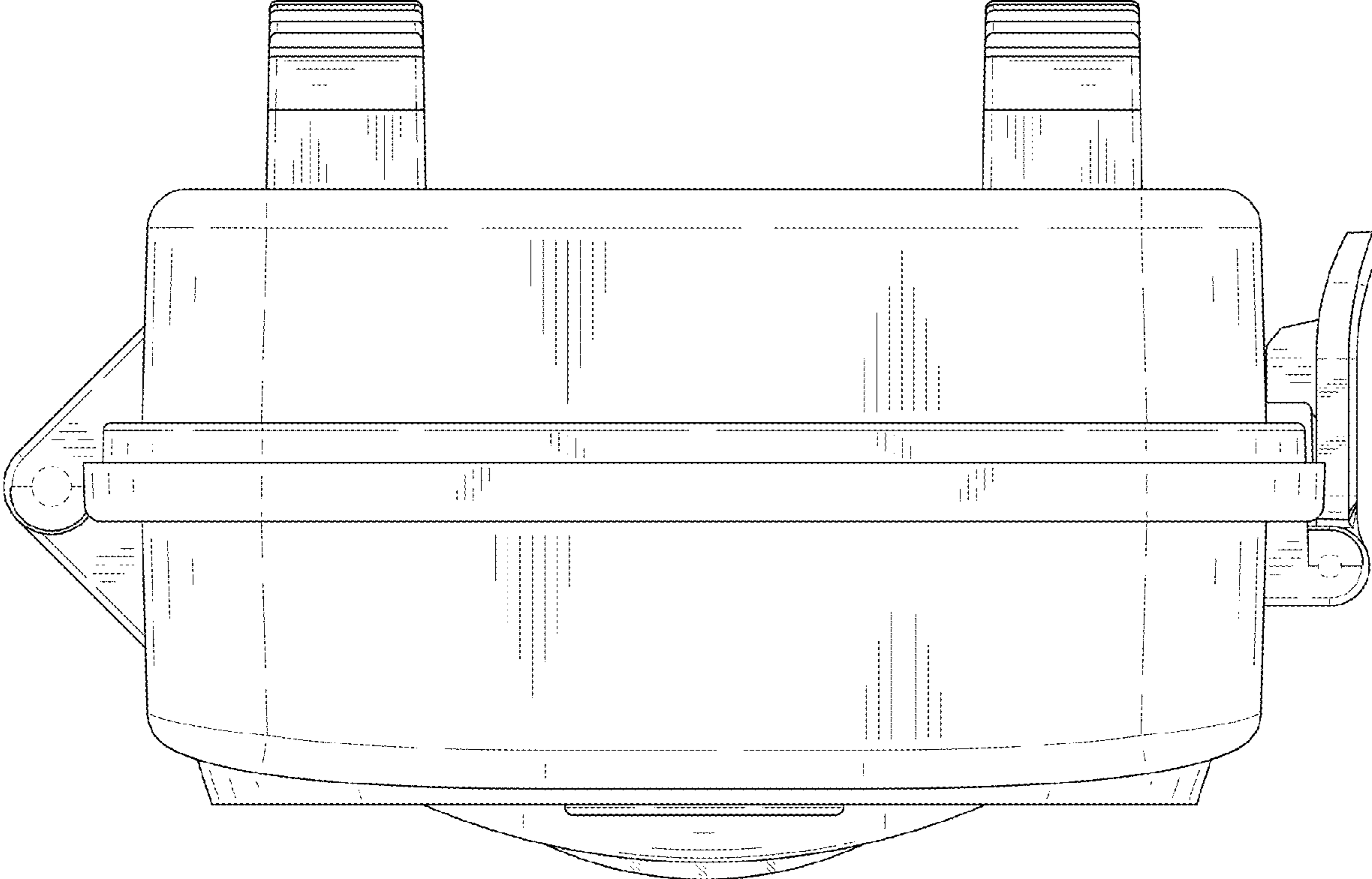


FIG. 7

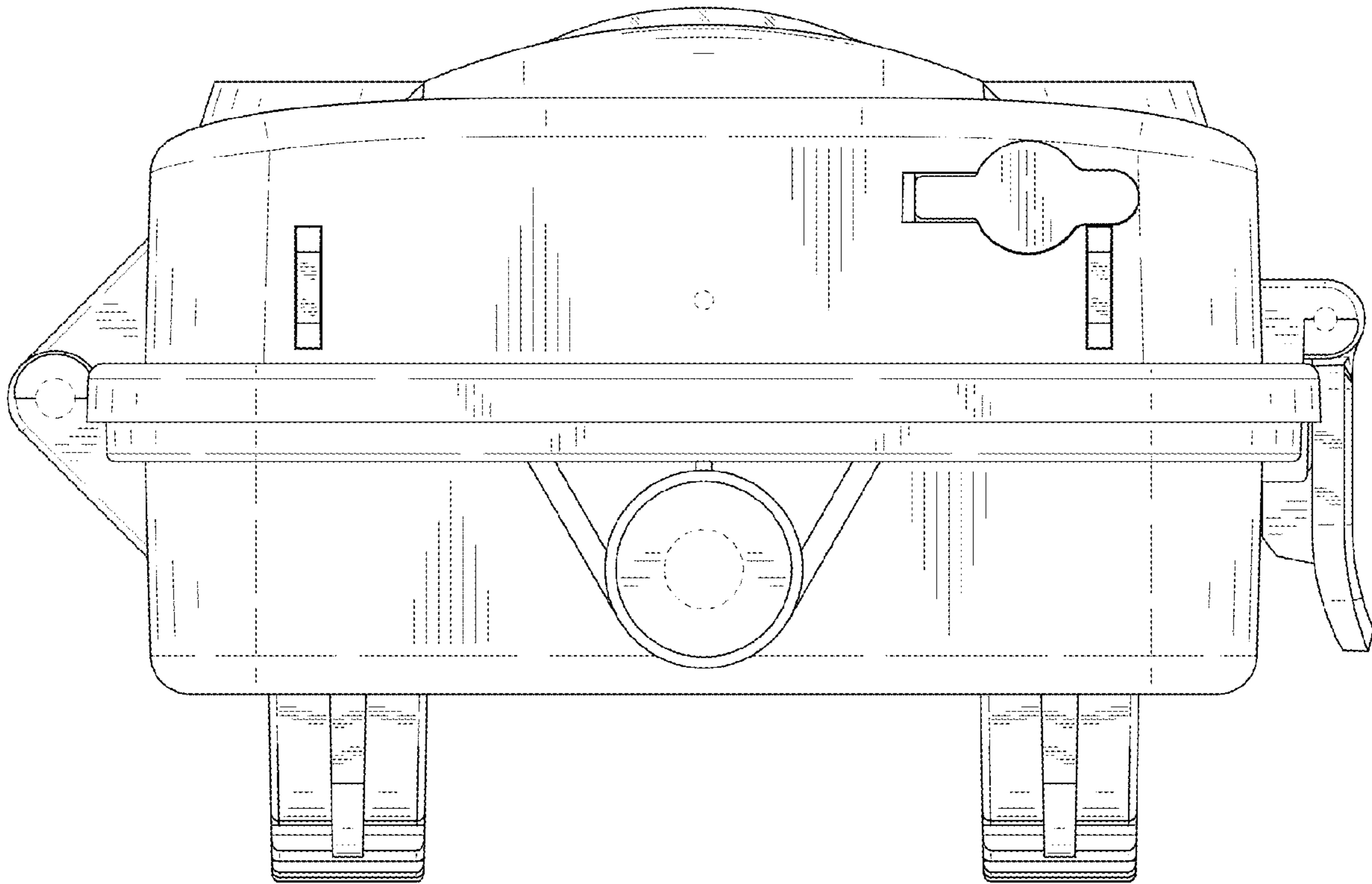


FIG. 8

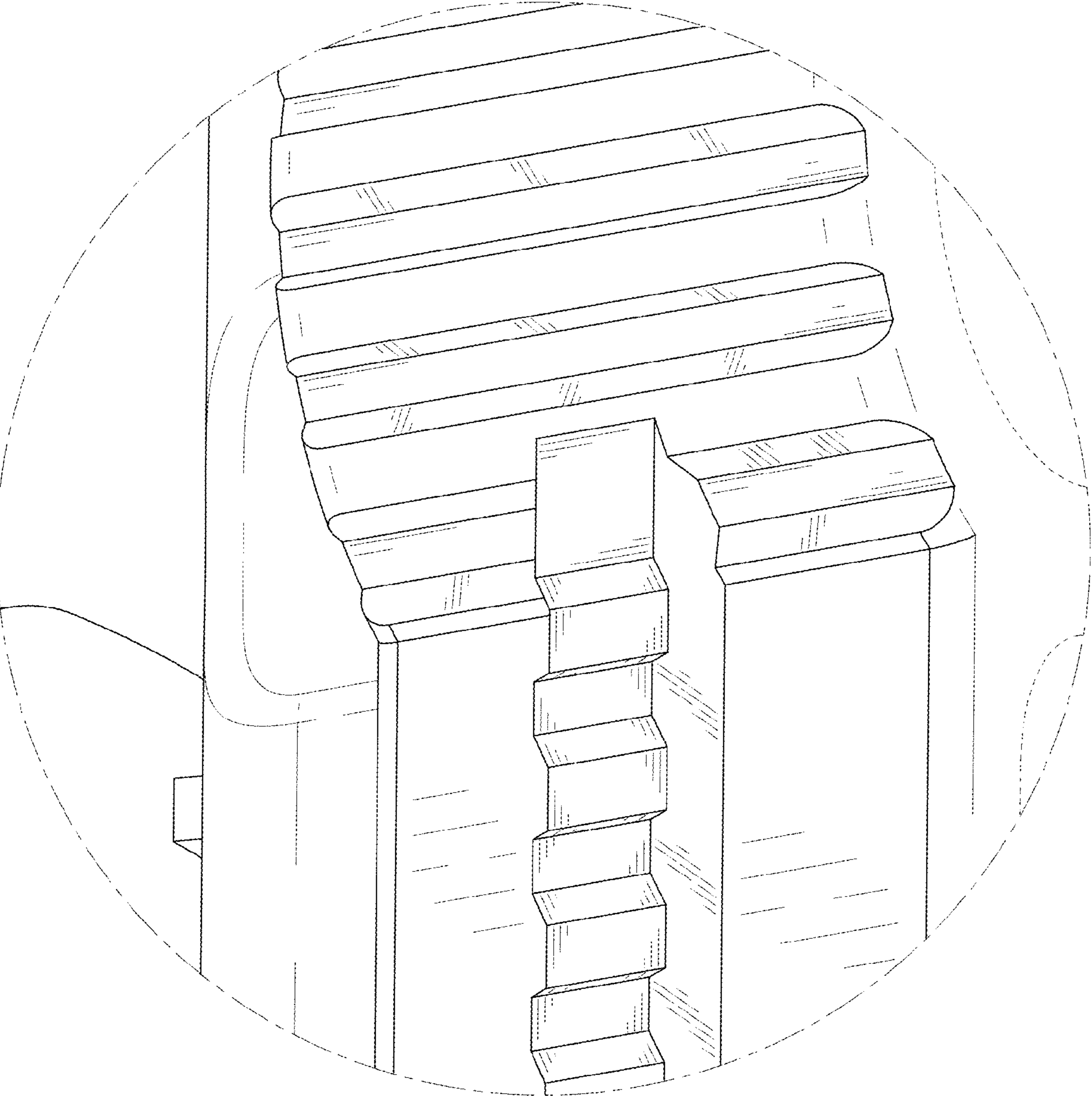


FIG. 9