



US00D977549S

(12) **United States Design Patent**
Yu

(10) **Patent No.:** **US D977,549 S**

(45) **Date of Patent:** **** Feb. 7, 2023**

(54) **HUNT CAMERA**

(71) Applicant: **Shenzhen Longzhiyuan Technology Co., Ltd.**, Shenzhen (CN)

(72) Inventor: **Mengchu Yu**, Shenzhen (CN)

(73) Assignee: **Shenzhen Longzhiyuan Technology Co., Ltd.**, Shenzhen (CN)

(**) Term: **15 Years**

(21) Appl. No.: **29/799,843**

(22) Filed: **Jul. 16, 2021**

(30) **Foreign Application Priority Data**

Mar. 10, 2021 (CN) 202130127943.1

(51) **LOC (14) Cl.** **16-01**

(52) **U.S. Cl.**
USPC **D16/203**

(58) **Field of Classification Search**

USPC D16/200, 202-206, 218, 219, 242
CPC G03B 17/02; G03B 19/04; G03B 17/56;
G03B 17/04; G03B 15/03; H04N 5/2251;
H04N 5/2252; H04N 5/2253; H04N
5/2254; F16M 11/04

See application file for complete search history.

(56) **References Cited**

U.S. PATENT DOCUMENTS

D881,969 S * 4/2020 Li D16/203
D883,360 S * 5/2020 Ren D16/203
D888,125 S * 6/2020 Wang D16/203
D894,252 S * 8/2020 Han D16/203

D918,986 S * 5/2021 Yu D16/218
D928,215 S * 8/2021 Jiang D16/203
D932,535 S * 10/2021 Yu D16/203
D939,008 S * 12/2021 Jiang D16/203
D940,225 S * 1/2022 Wang D16/203
D945,512 S * 3/2022 Yu D16/203
D957,502 S * 7/2022 Jiang D16/203
D958,867 S * 7/2022 Jiang D16/203
D964,447 S * 9/2022 Wang D16/203

* cited by examiner

Primary Examiner — Ramzi Almatrahi

(74) *Attorney, Agent, or Firm* — Dragon Sun Law Firm, PC; Jinggao Li; Nathaniel Perkins

(57) **CLAIM**

The ornamental design for a hunt camera, as shown and described.

DESCRIPTION

FIG. 1 is a bottom, front and right side perspective view of a hunt camera showing my new design;

FIG. 2 is a bottom, rear and left side perspective view thereof;

FIG. 3 is a front elevation view thereof;

FIG. 4 is a rear elevation view thereof;

FIG. 5 is a left side elevation view thereof;

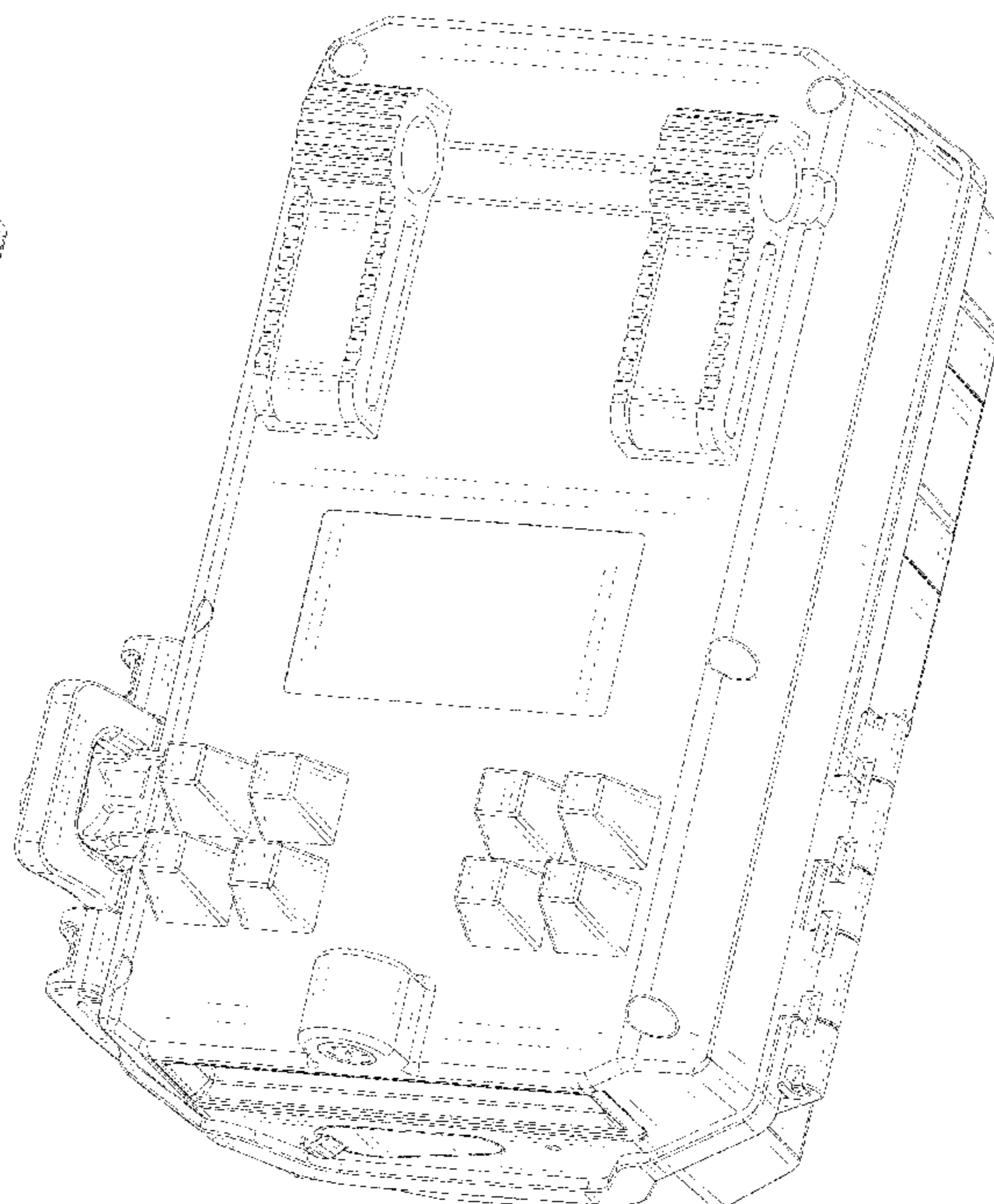
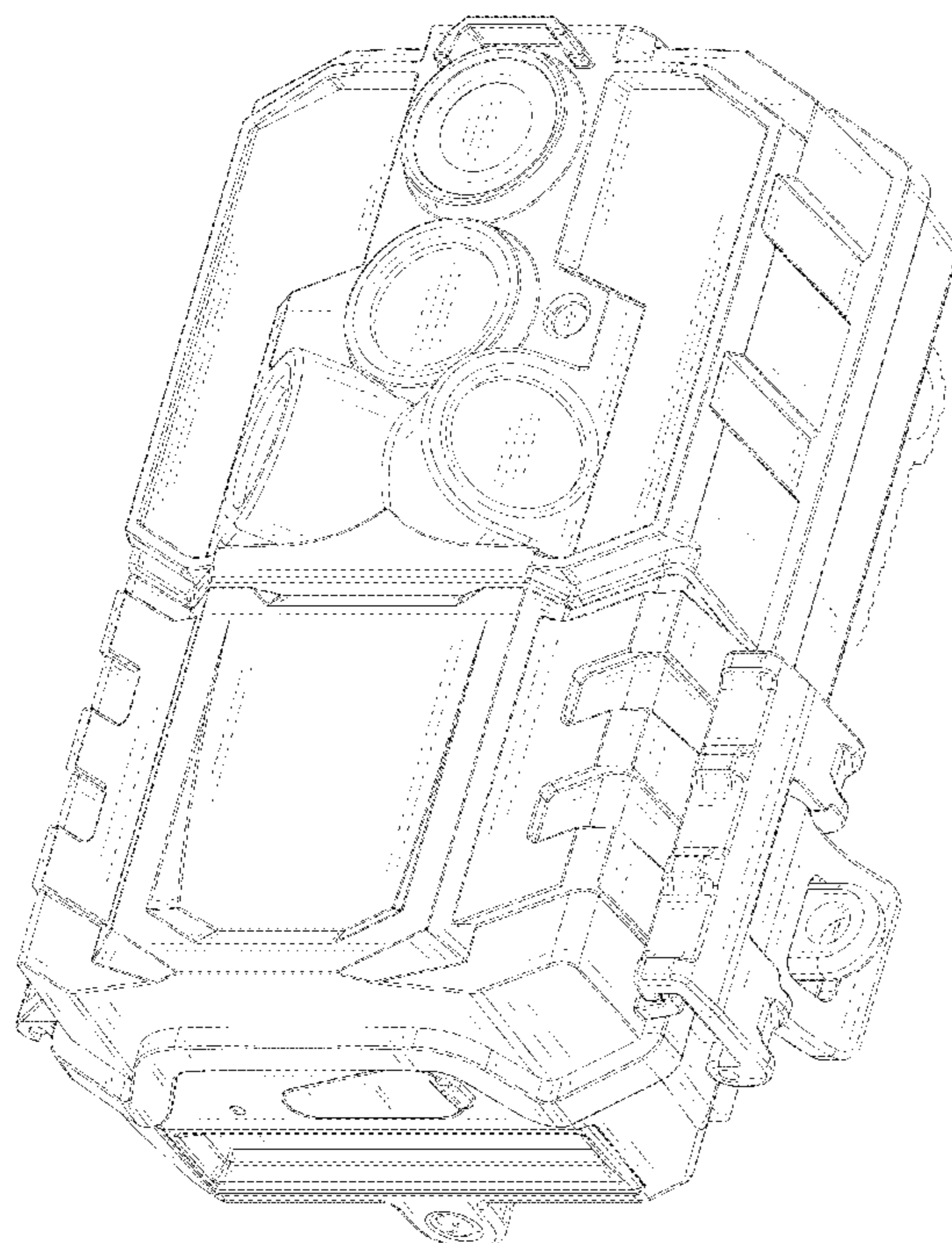
FIG. 6 is a right side elevation view thereof;

FIG. 7 is a top plan view thereof; and,

FIG. 8 is a bottom plan view thereof.

The broken lines depict portions of the hunt camera in which the design is embodied that form no part of the claimed design.

1 Claim, 8 Drawing Sheets



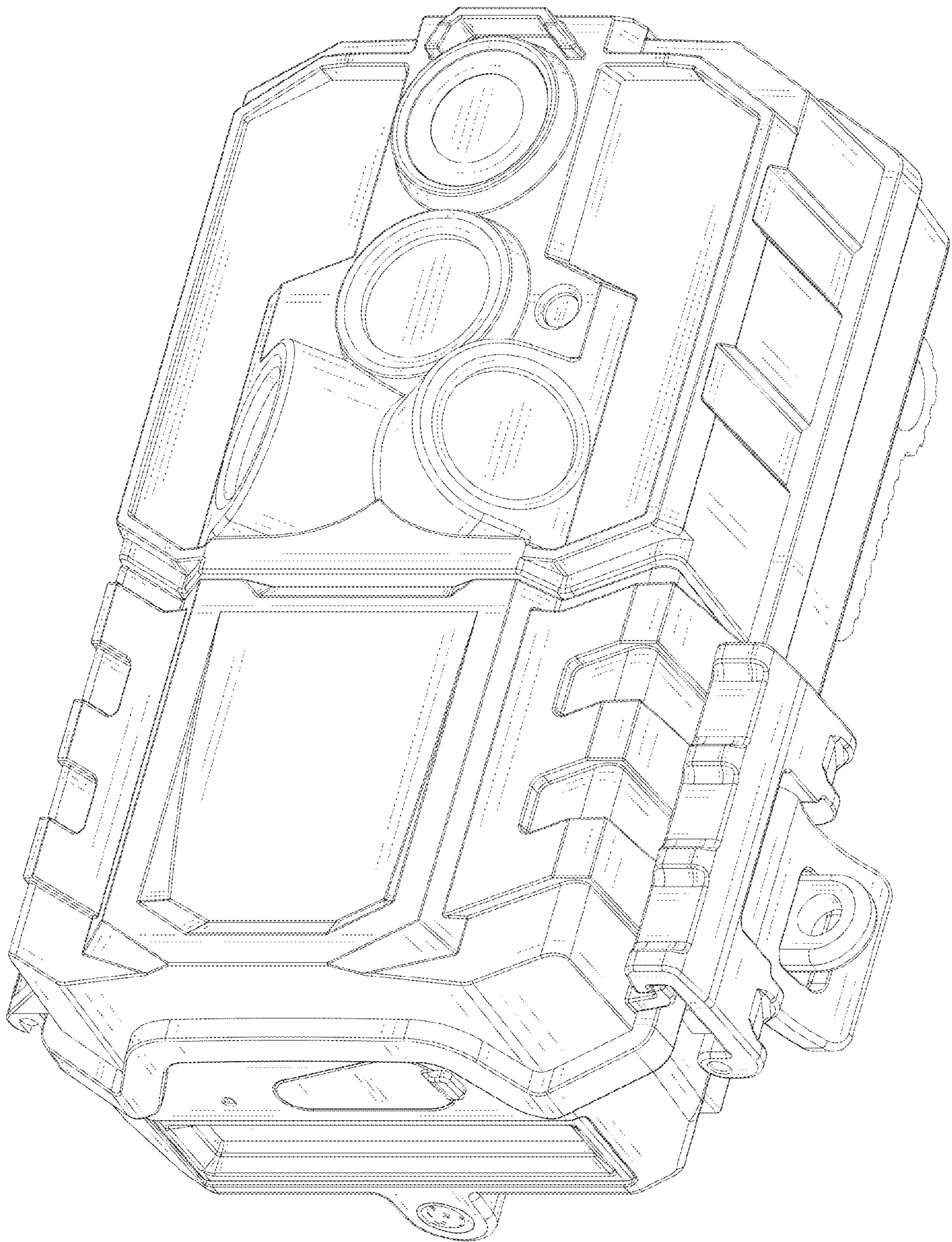


FIG. 1

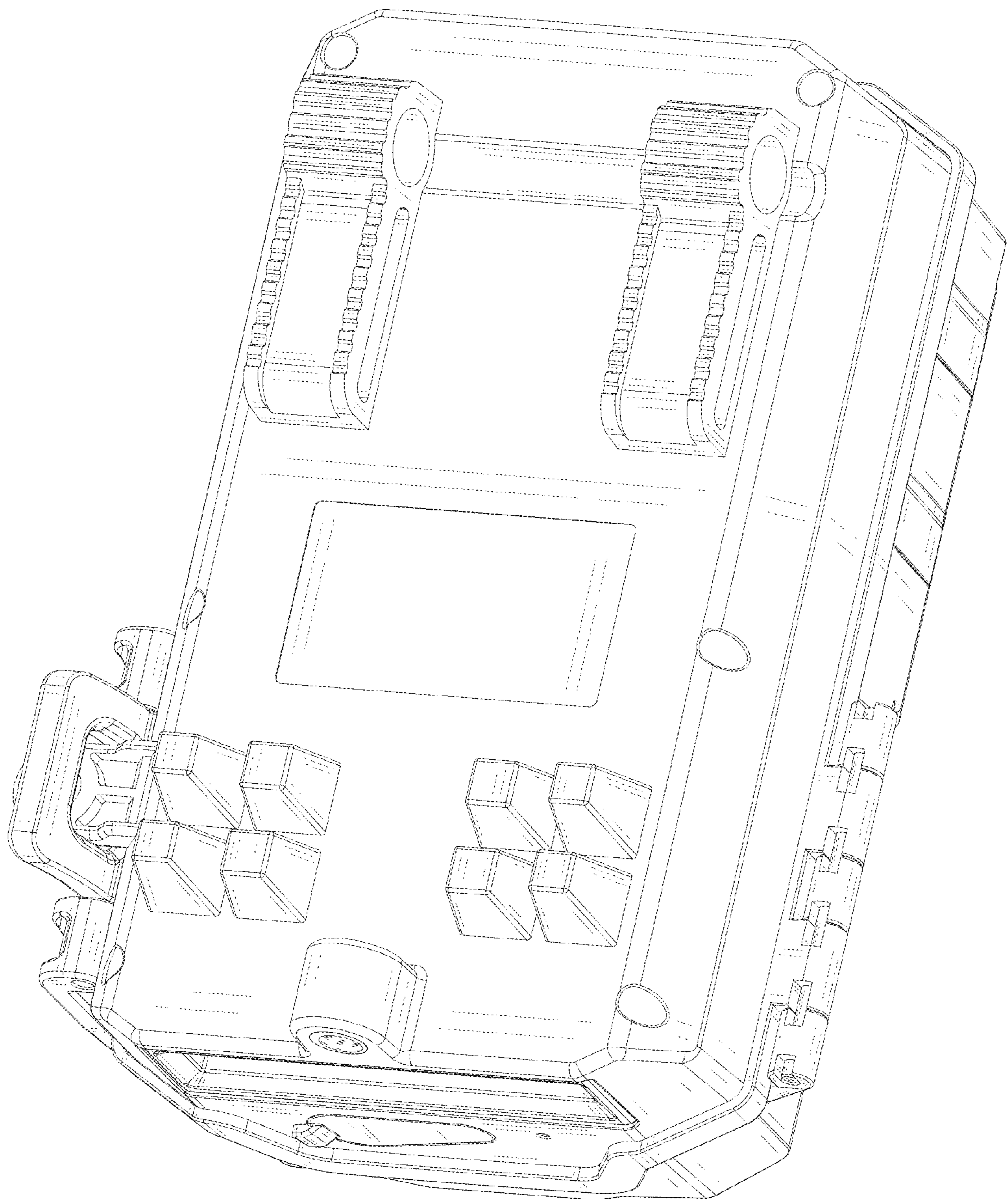


FIG. 2

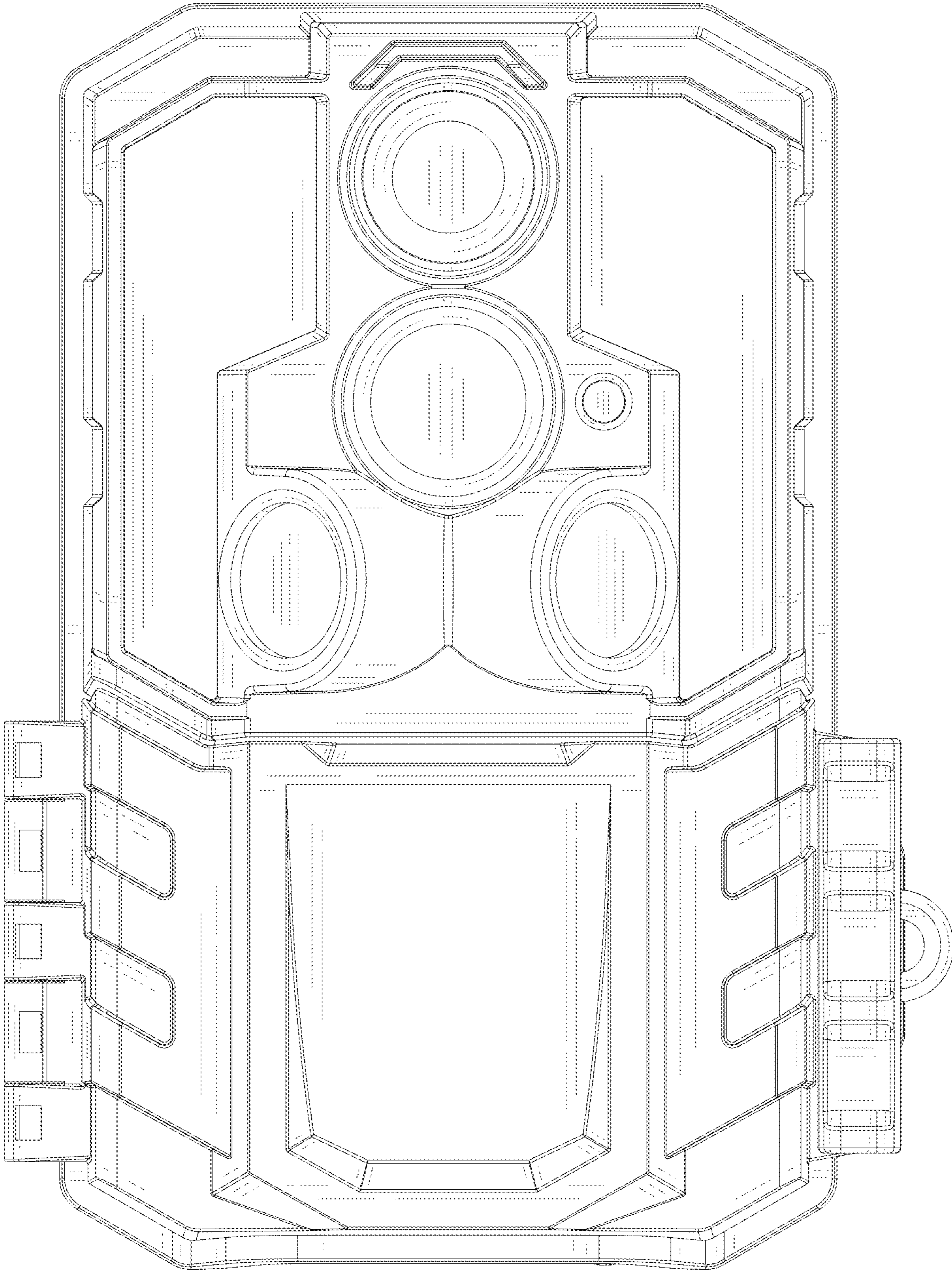


FIG. 3

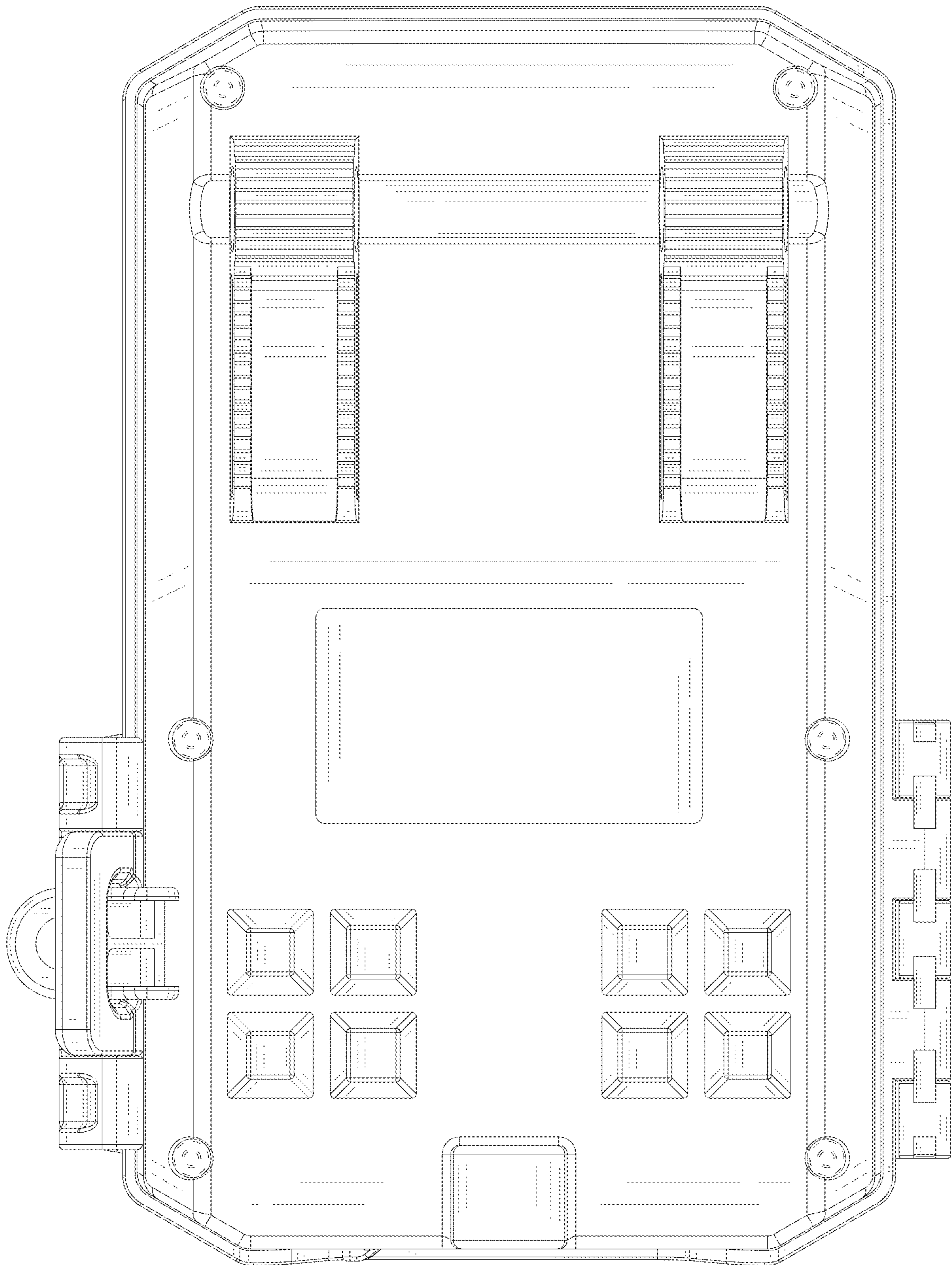


FIG. 4

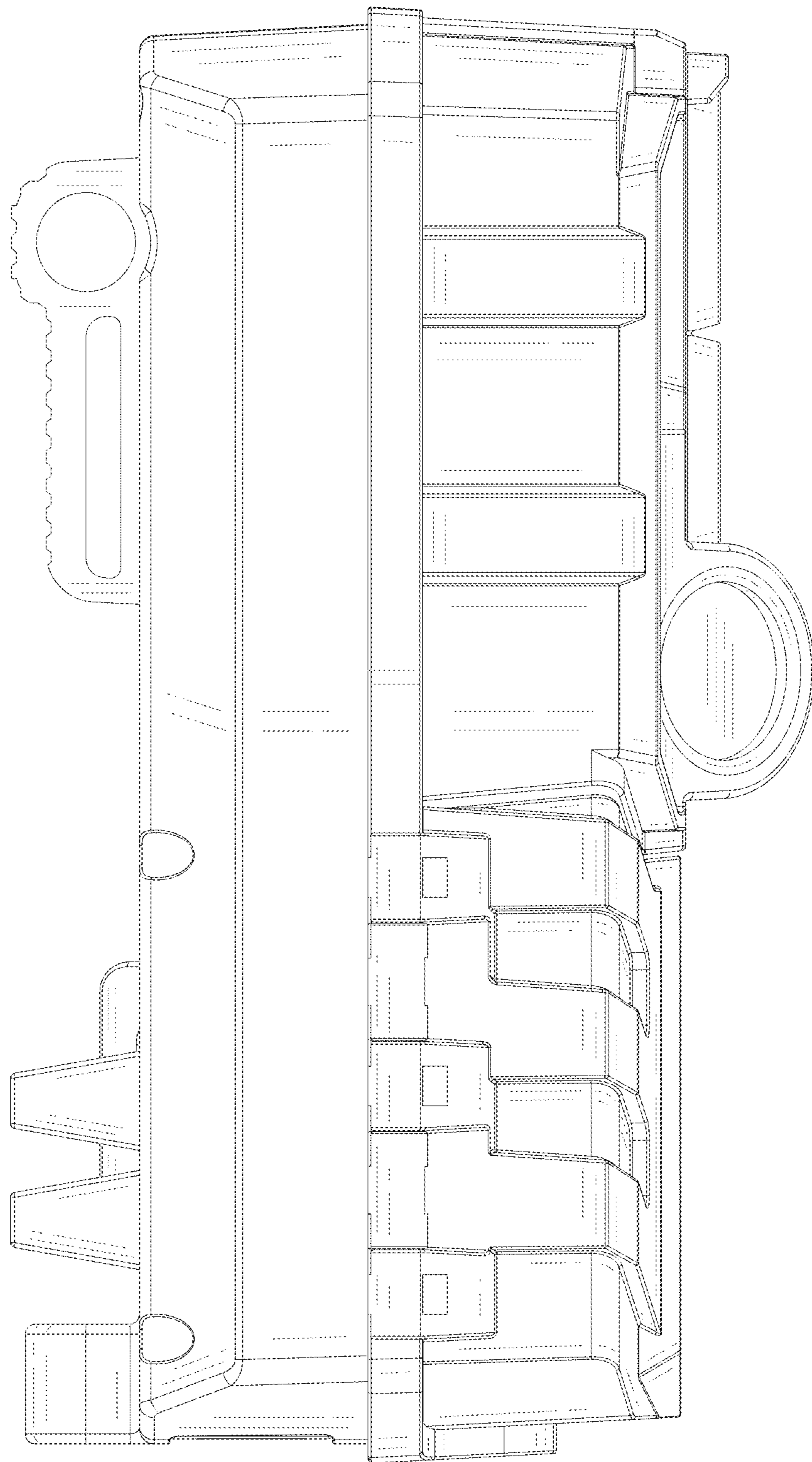


FIG. 5

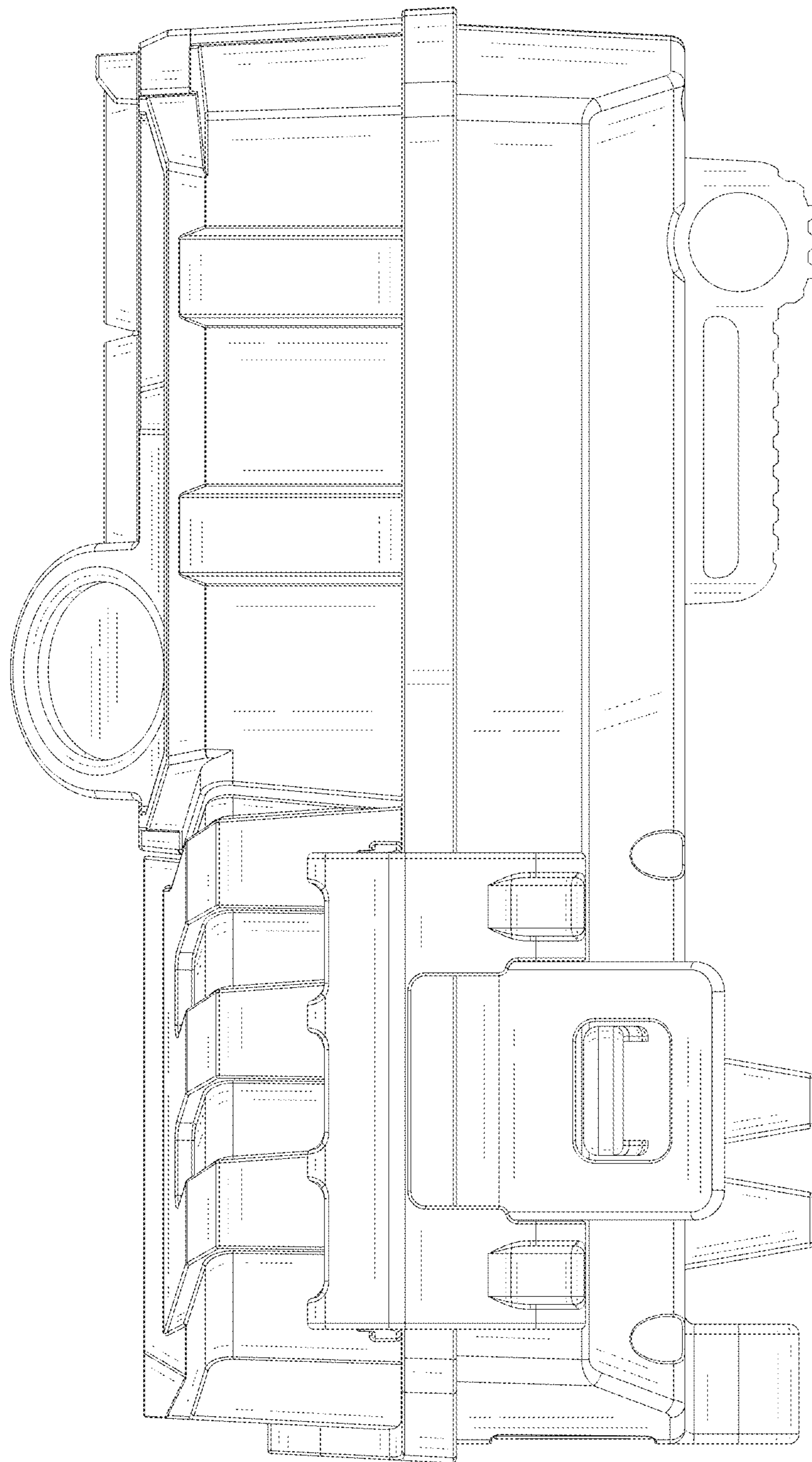


FIG. 6

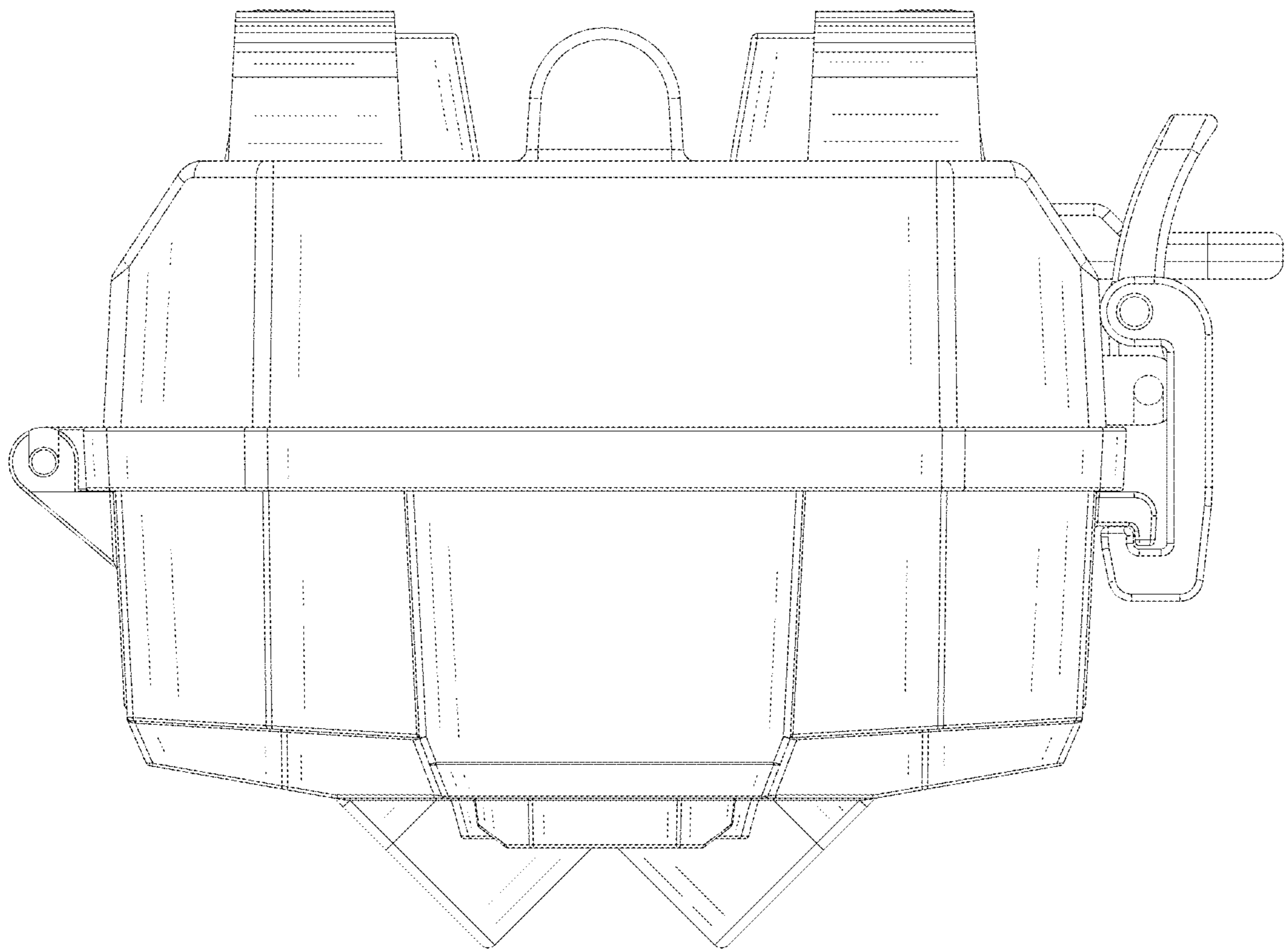


FIG. 7

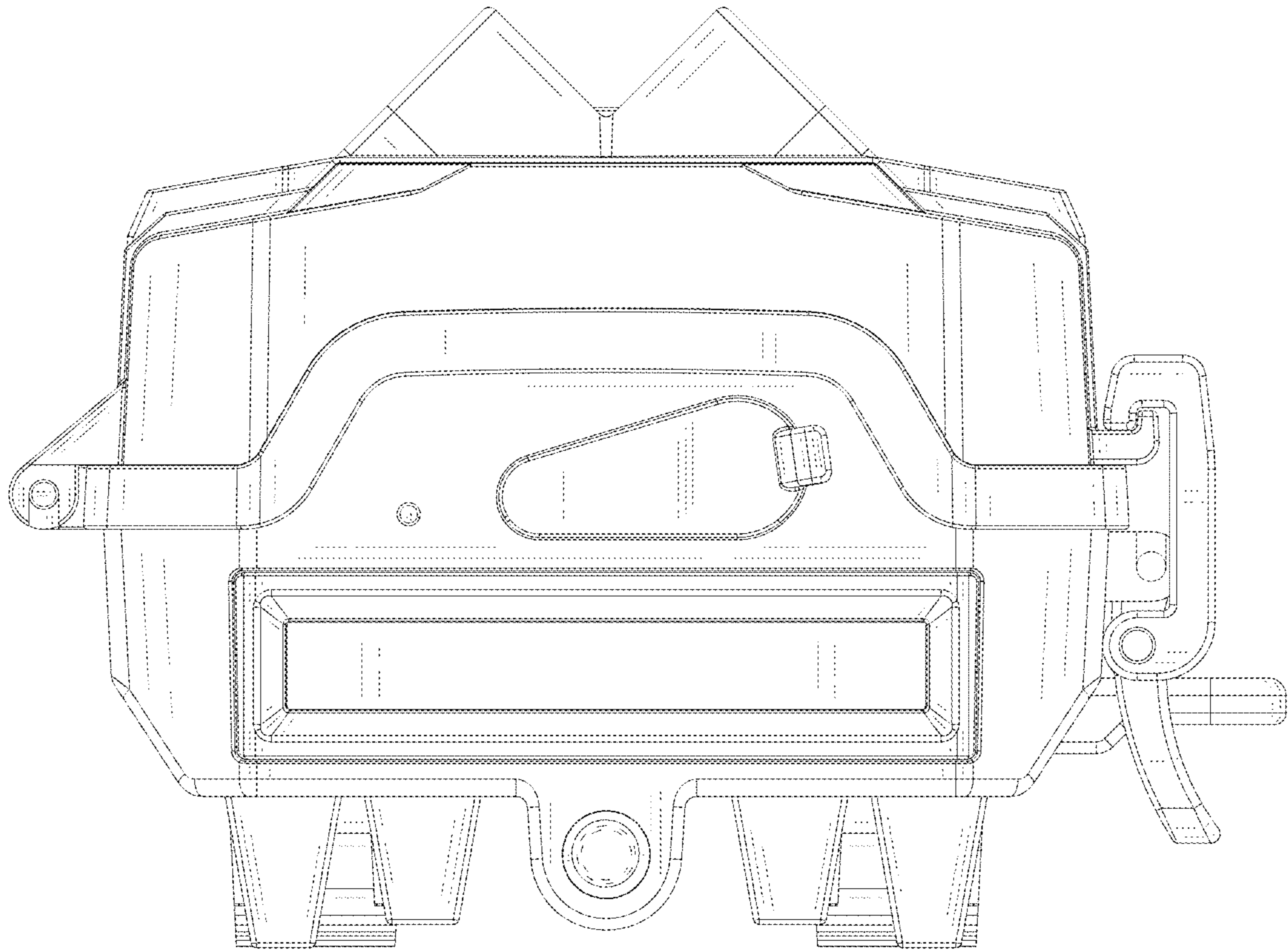


FIG. 8