



US00D977548S

(12) **United States Design Patent**
Zhao

(10) **Patent No.:** **US D977,548 S**

(45) **Date of Patent:** **** Feb. 7, 2023**

(54) **DIGITAL CAMERA**

(71) Applicant: **Yanling Zhao**, Guangdong (CN)

(72) Inventor: **Yanling Zhao**, Guangdong (CN)

(**) Term: **15 Years**

(21) Appl. No.: **29/847,612**

(22) Filed: **Jul. 26, 2022**

(51) **LOC (14) Cl.** **16-01**

(52) **U.S. Cl.**
USPC **D16/202**

(58) **Field of Classification Search**
USPC D16/200, 202–206, 208–209, 212, 218,
D16/219

CPC G03B 15/03; G03B 17/02; G03B 17/04;
G03B 17/56; G03B 19/04; H04N 5/2251;
H04N 5/2252; H04N 5/2253; H04N
5/2254; H04N 2101/00

See application file for complete search history.

(56) **References Cited**

U.S. PATENT DOCUMENTS

D597,116 S *	7/2009	Watanabe	D16/202
D634,766 S *	3/2011	Ham	D16/202
D663,341 S *	7/2012	Kwon	D16/202
D665,002 S *	8/2012	Kwon	D16/202
D669,110 S *	10/2012	Noh	D16/202
D669,515 S *	10/2012	Jang	D16/202
D669,929 S *	10/2012	Jang	D16/202

D671,581 S *	11/2012	Ham	D16/202
D695,804 S	12/2013	Nohara et al.		
D696,327 S *	12/2013	Jang	D16/202
D700,230 S *	2/2014	Sul	D16/202
D712,950 S *	9/2014	Kwon	D16/202
D723,083 S *	2/2015	Jang	D16/202
D737,355 S	8/2015	Tainaka		
D907,093 S *	1/2021	Hung	D16/202

* cited by examiner

Primary Examiner — Ramzi Almatrahi

(74) *Attorney, Agent, or Firm* — Che-Yang Chen; Law Office of Michael Chen

(57) **CLAIM**

The ornamental design for a digital camera, as shown and described.

DESCRIPTION

FIG. 1 is a top, front and right side perspective view of a digital camera showing my new design;

FIG. 2 is a bottom, rear and left side perspective view thereof;

FIG. 3 is a front elevational view thereof;

FIG. 4 is a rear elevational view thereof;

FIG. 5 is a left side elevational view thereof;

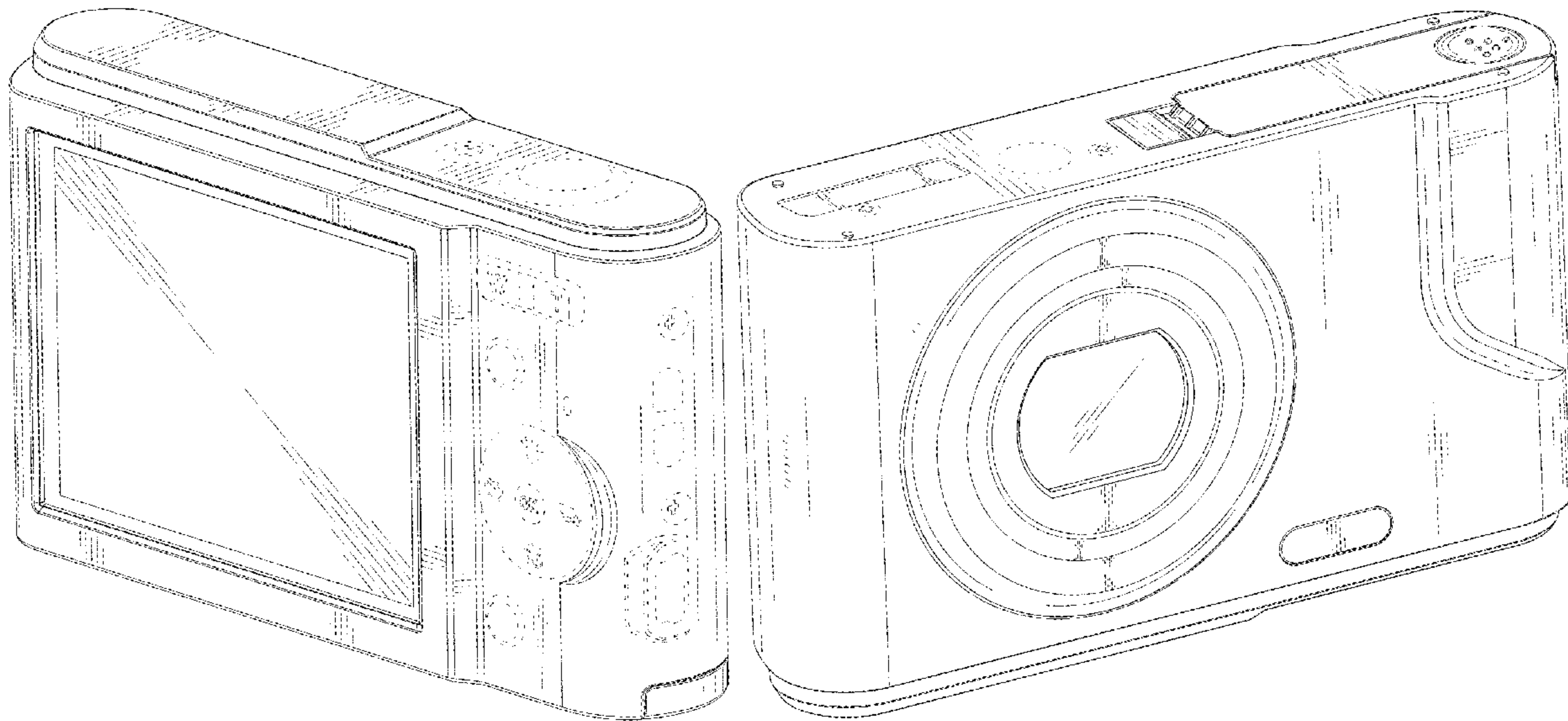
FIG. 6 is a right side elevational view thereof;

FIG. 7 is a top plan view thereof; and,

FIG. 8 is a bottom plan view thereof.

The broken lines shown in the drawings represent portions of the digital camera that form no part of the claimed design.

1 Claim, 8 Drawing Sheets



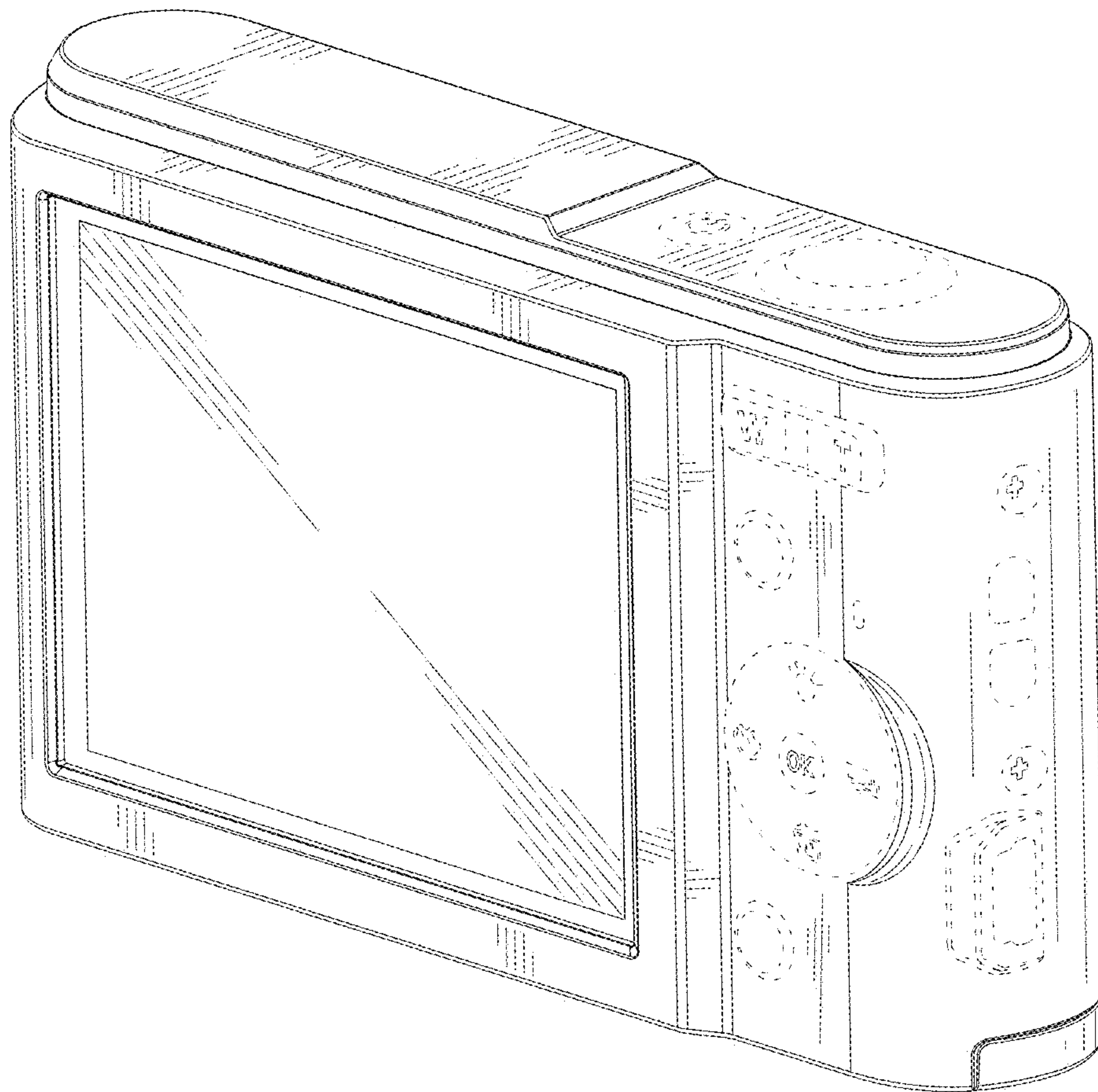


FIG. 1

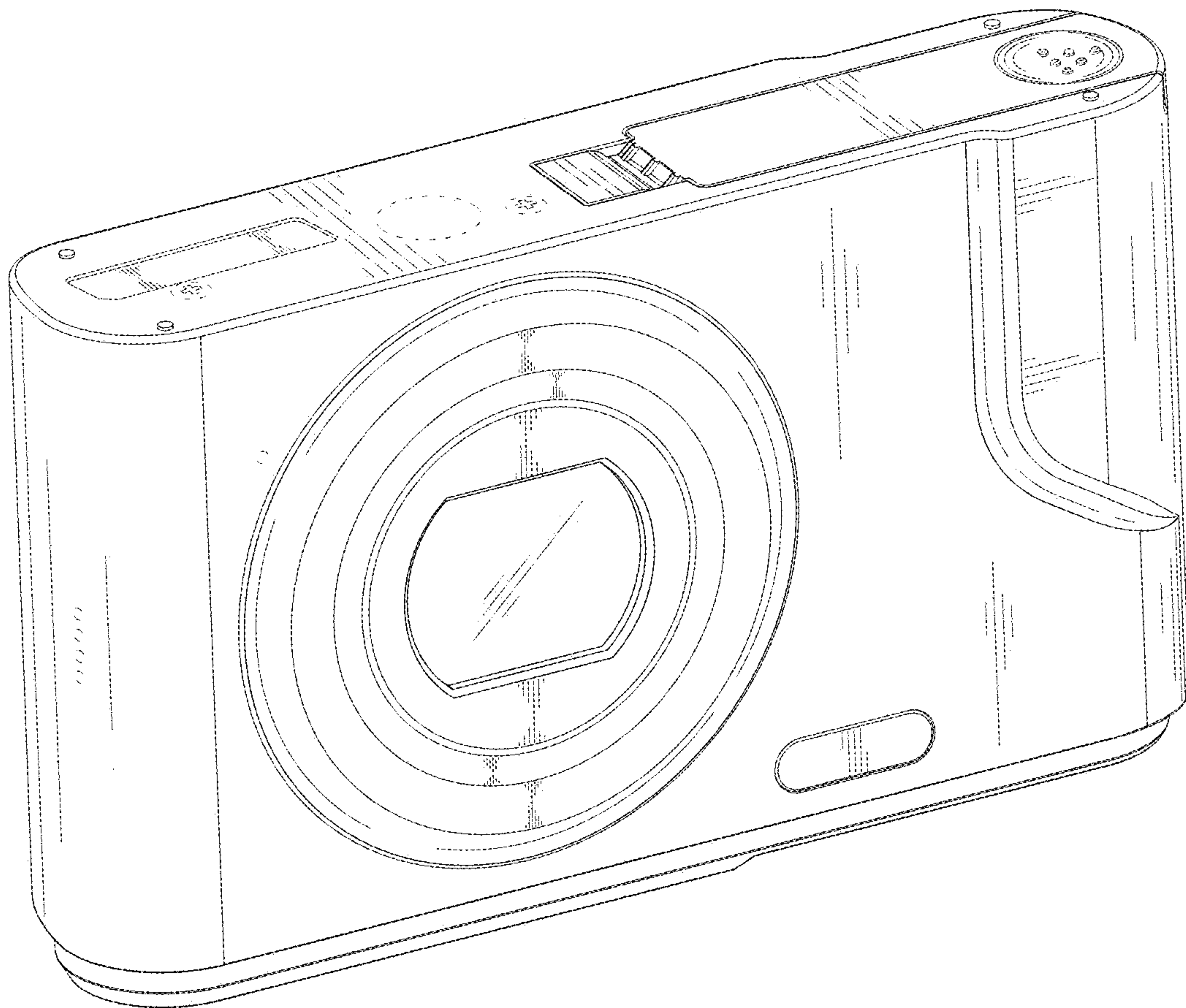


FIG.2

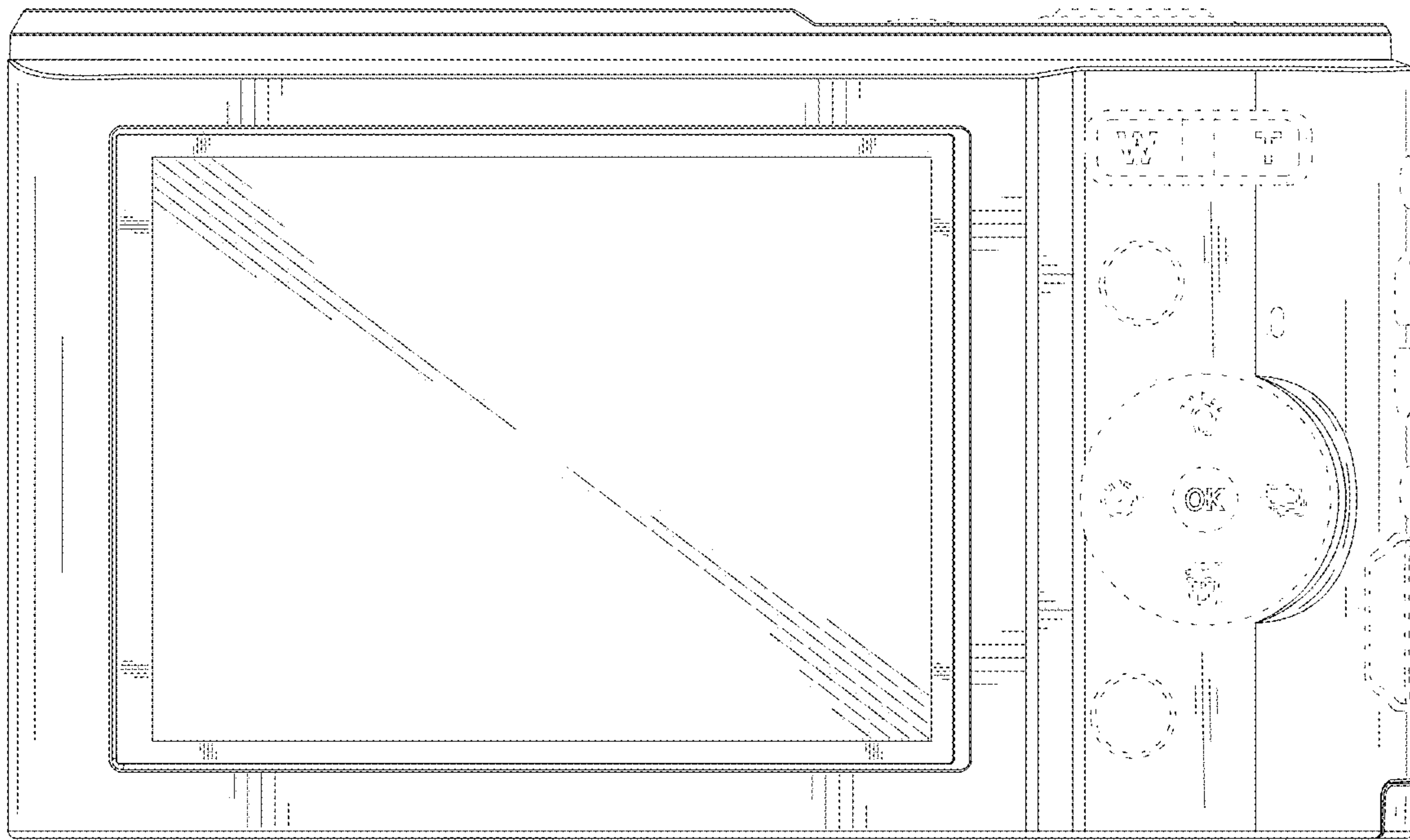


FIG.3

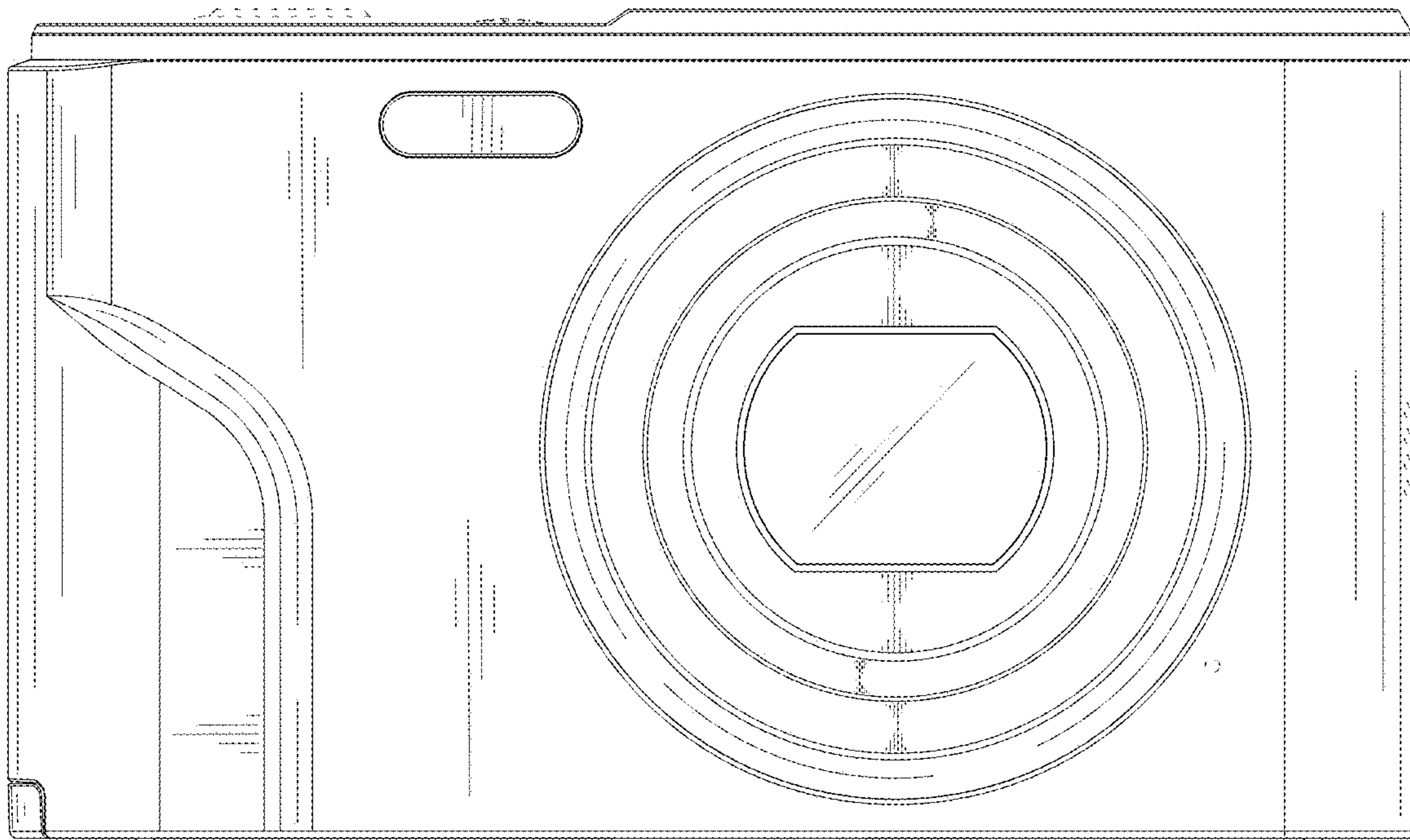


FIG.4

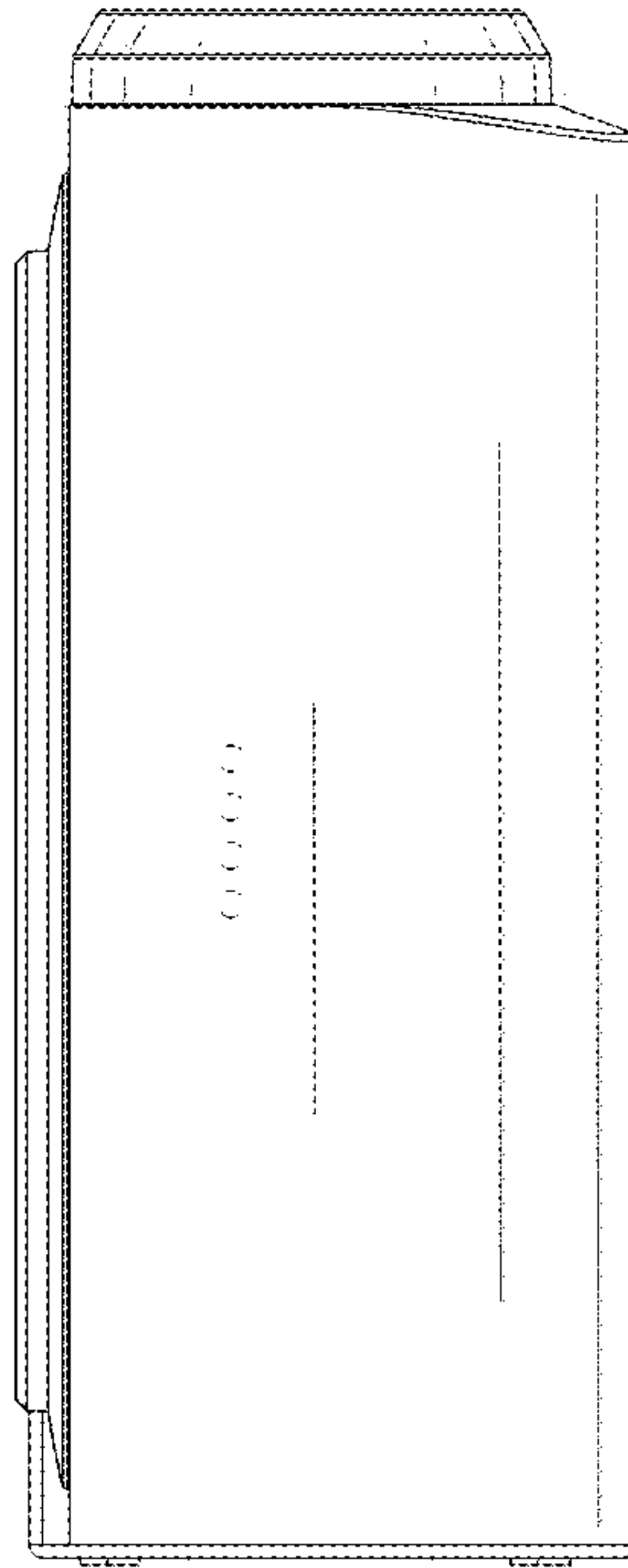


FIG.5

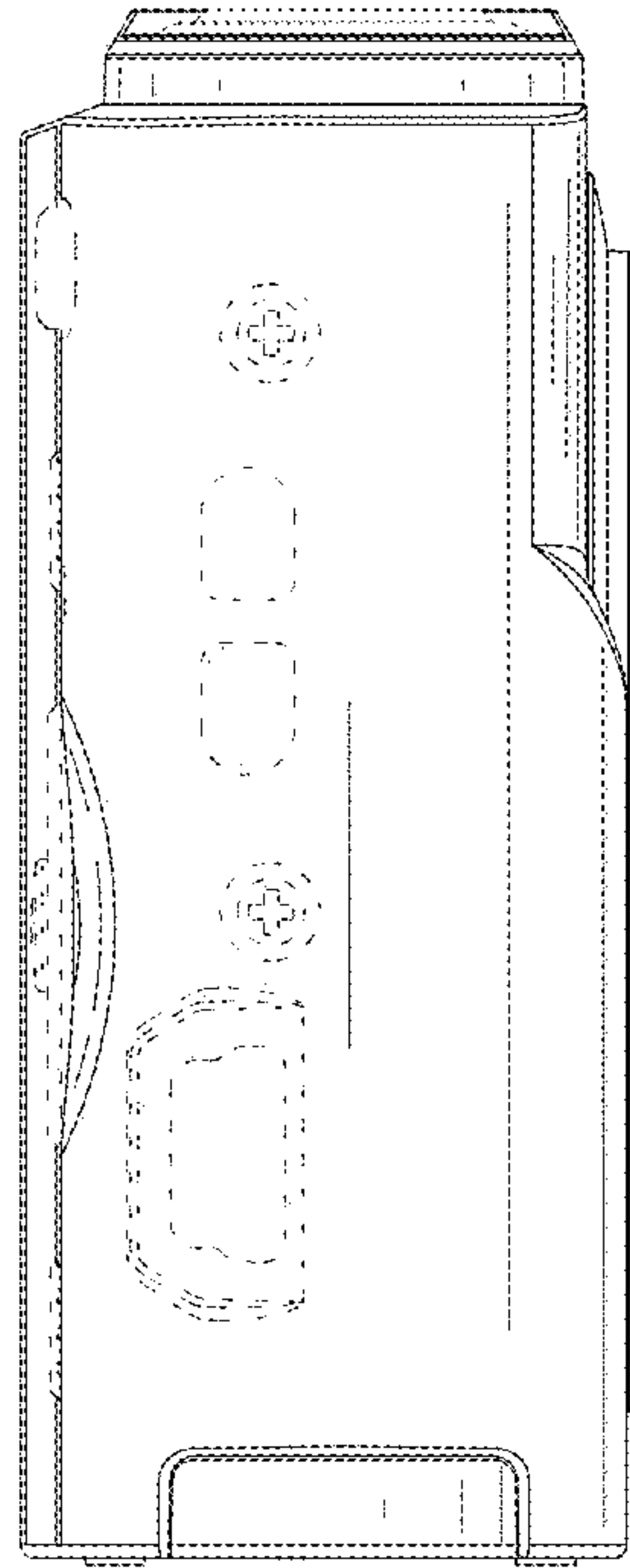


FIG.6

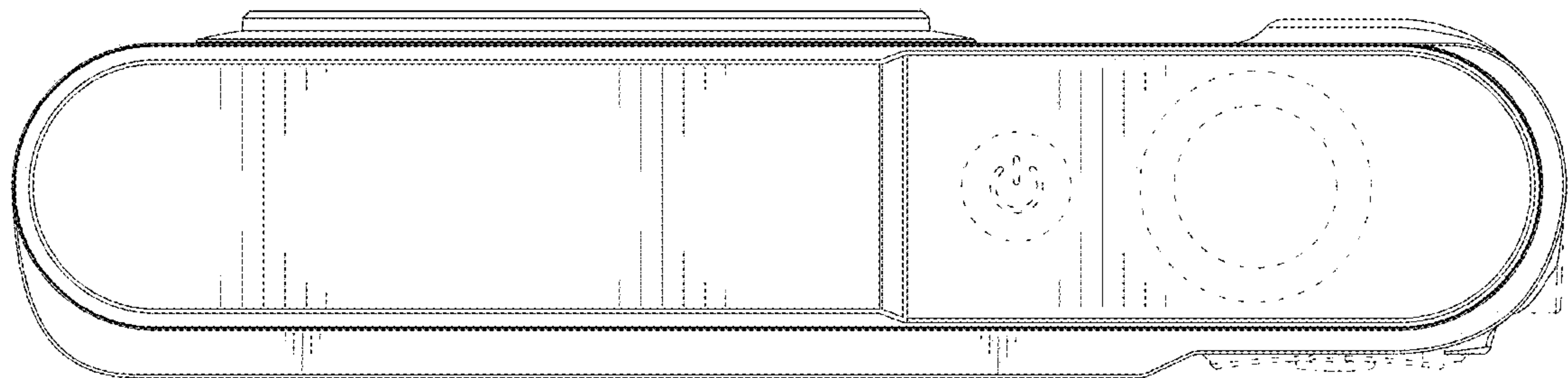


FIG. 7

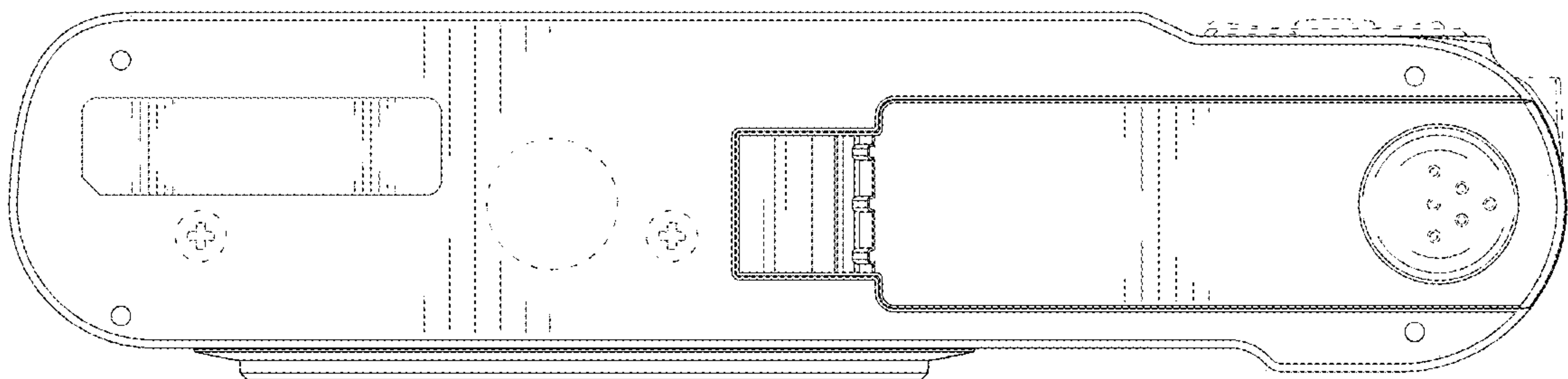


FIG. 8