



US00D977546S

(12) **United States Design Patent** (10) **Patent No.:** **US D977,546 S**
Muhlenkamp, IV et al. (45) **Date of Patent:** **** Feb. 7, 2023**

(54) **CAMERA HOUSING**

FOREIGN PATENT DOCUMENTS

(71) Applicant: **GoPro, Inc.**, San Mateo, CA (US)

CN 302944108 5/2014
CN 303933789 6/2016
GB 4034453 3/2014

(72) Inventors: **John George Muhlenkamp, IV**,
Brisbane, CA (US); **Bessy Liang**, San
Jose, CA (US); **Huy Phuong Nguyen**,
Alpine, UT (US); **Daniel J. Coster**,
Oakura (NZ)

OTHER PUBLICATIONS

(73) Assignee: **GoPro, Inc.**, San Mateo, CA (US)

Action Video Suction Cup. [online] Published date Oct. 23, 2014.
Retrieved on Nov. 2, 2016 from <URL: <https://www.amazon.com/Suction-Locking-JOBY-Easy-Anti-Vibration-Cameras/dp/B0008R7A72/ref=pd_sim_421_2?encoding=UTF8&pd_rd_i=B0008R7A72&pd_rd_r=AGCVZH2ZHQKHT5BBX2GZ&pd_rd_w=7Jkpc&pd_rd_wg=OMkYF&psc=1&refRID=AGCVZH2ZHQKHT5BBX2GZ>. (9 pages).

(**) Term: **15 Years**

(21) Appl. No.: **29/838,380**

(Continued)

(22) Filed: **May 12, 2022**

Related U.S. Application Data

Primary Examiner — Ramzi Almatrahi

(60) Continuation of application No. 29/817,143, filed on
Nov. 29, 2021, now Pat. No. Des. 954,776, which is
a division of application No. 29/745,857, filed on
Aug. 10, 2020, now Pat. No. Des. 946,072.

(74) *Attorney, Agent, or Firm* — Young Basile Hanlon &
MacFarlane, P.C.

(51) **LOC (14) Cl.** **16-01**

(57) **CLAIM**

(52) **U.S. Cl.**
USPC **D16/200**

The ornamental design for a camera housing, as shown and
described.

(58) **Field of Classification Search**

DESCRIPTION

USPC D16/200, 202–204, 208, 211, 218, 219,
D16/237; D3/263, 267, 268
CPC G03B 15/03; G03B 17/02; G03B 17/04;
G03B 17/08; G03B 17/56; G03B 19/04;
H04N 5/2251; H04N 5/2252; H04N
5/2253; H04N 5/2254; A45C 11/38
See application file for complete search history.

FIG. 1 is a top, front and right perspective view of a camera
housing showing our new design;
FIG. 2 is a bottom, rear and left perspective view thereof;
FIG. 3 is a front view thereof;
FIG. 4 is a rear view thereof;
FIG. 5 is a right view thereof;
FIG. 6 is a left view thereof;
FIG. 7 is a top view thereof; and,
FIG. 8 is a bottom view thereof.

(56) **References Cited**

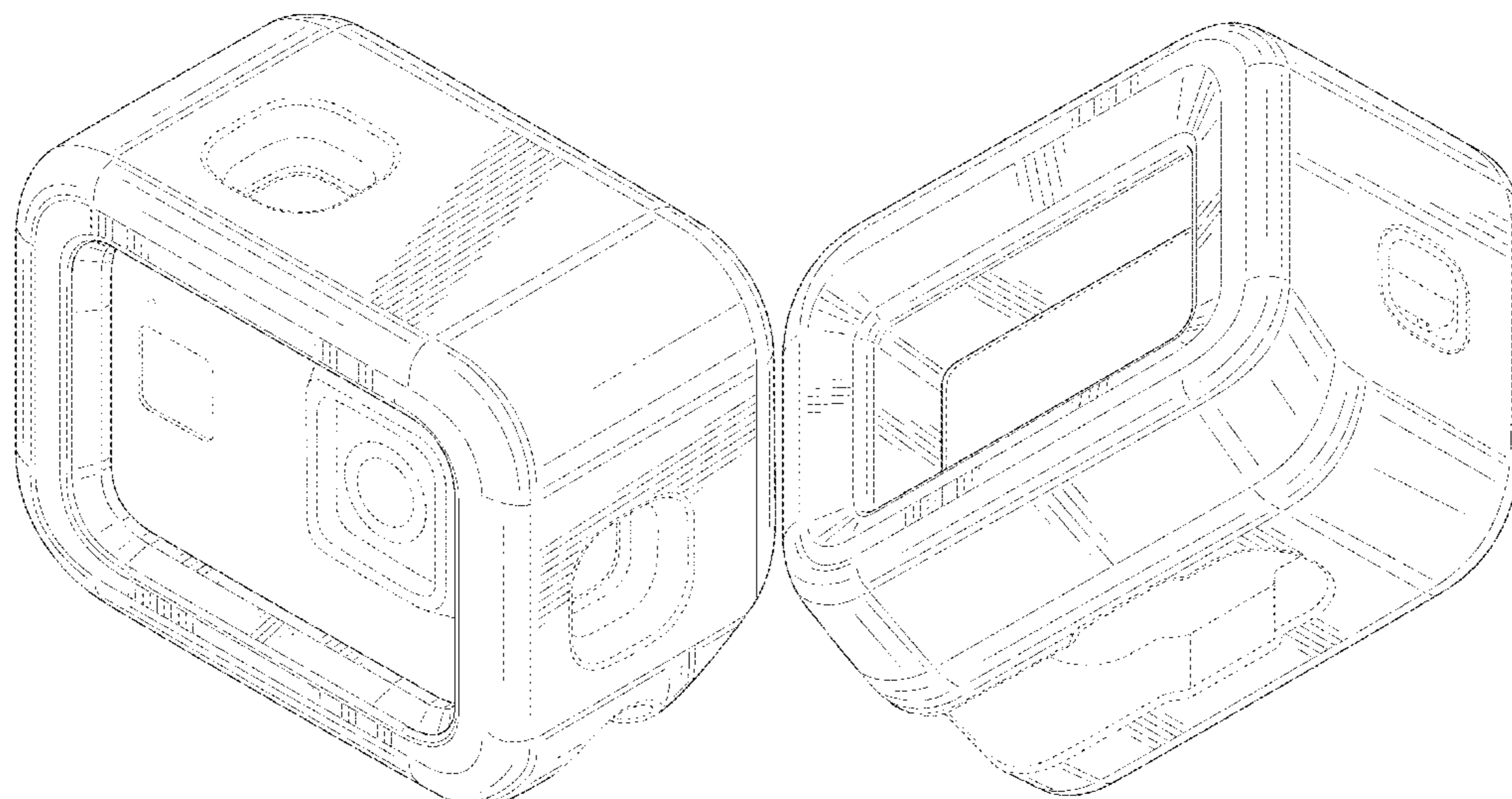
U.S. PATENT DOCUMENTS

679,881 A 8/1901 Bullard
1,467,556 A 9/1923 Nagel
1,612,277 A 12/1926 Leo
2,336,104 A 12/1943 Laube

The broken lines depict portions of the camera housing in
which the design is embodied that form no part of the
claimed design. Additionally, the broken lines showing a
camera within the camera housing represent environmental
structure and form no part of the claimed design.

(Continued)

1 Claim, 5 Drawing Sheets



(56)

References Cited

U.S. PATENT DOCUMENTS

4,341,452 A	7/1982	Korling	D759,145 S	6/2016	Lee
D265,829 S	8/1982	Shimoda	D760,309 S	6/2016	Parfitt
4,646,141 A	2/1987	Timmermans	D760,312 S	6/2016	Lee
4,763,151 A	8/1988	Klinger	9,360,742 B1	6/2016	Harrison
D298,760 S	11/1988	Yoshida	D762,759 S	8/2016	Wu
5,092,552 A	3/1992	Dayton	D763,941 S	8/2016	Smith
5,325,139 A	6/1994	Matsumoto	D768,228 S	10/2016	Muhlenkamp, IV
D349,126 S	7/1994	Lee	D768,752 S	10/2016	Silver
5,353,079 A	10/1994	Sakai	D768,754 S	10/2016	Bennett
5,576,781 A	11/1996	Deleeuw	D769,346 S	10/2016	Nguyen
5,738,321 A	4/1998	Moriyasu	D773,546 S	12/2016	Nguyen
D441,386 S	5/2001	Yamazaki	D776,738 S	1/2017	Clearman
6,347,893 B1	2/2002	Shiono	D776,741 S	1/2017	Parfitt
D469,338 S	1/2003	Chace	D777,239 S	1/2017	Costa
D491,968 S	6/2004	Isshiki	D778,335 S	2/2017	Gioscia
D492,953 S	7/2004	Mitsuse	D783,079 S	4/2017	Lee
D499,131 S	11/2004	Tania	D785,068 S	4/2017	Patsis
D504,904 S	5/2005	Nagai	9,635,226 B2	4/2017	Samuels
D515,121 S	2/2006	Bleau	D785,696 S	5/2017	Parfitt
D550,741 S	9/2007	Vernon	D785,697 S	5/2017	Costa
D563,486 S	3/2008	Slater	D789,435 S	6/2017	Nguyen
D582,955 S	12/2008	Sekine	D789,999 S	6/2017	Yakabe
7,537,399 B2	5/2009	Mayumi	D790,000 S	6/2017	Wang
D594,050 S	6/2009	Grtnr	D790,002 S	6/2017	Nguyen
7,621,680 B2	11/2009	Frick	D800,815 S	10/2017	Clearman
D616,480 S	5/2010	Ookawa	D800,819 S *	10/2017	Parfitt D16/219
8,014,656 B2	9/2011	Woodman	9,816,666 B2	11/2017	Wang
D646,313 S	10/2011	Woodman	D806,775 S	1/2018	Nguyen
D647,554 S	10/2011	Yim	D808,163 S	1/2018	Song
D647,935 S	11/2011	Raken	9,880,451 B2	1/2018	Clearman
D653,687 S	2/2012	Yu	9,894,278 B2	2/2018	Wei
D657,808 S	4/2012	Woodman	9,894,279 B2	2/2018	Wei
D674,428 S	1/2013	Woodman	9,903,533 B2	2/2018	Wei
D684,569 S	6/2013	Willenborg	D816,751 S	5/2018	Harrison
8,467,675 B2	6/2013	Chen	D819,117 S	5/2018	Lee
D692,507 S	10/2013	Meys	D821,476 S	6/2018	Martin
8,544,643 B2	10/2013	Yim	D821,481 S	6/2018	Gioscia
8,596,890 B2	12/2013	Yim	D827,696 S	9/2018	Crow
D699,276 S	2/2014	Samuels	D827,697 S	9/2018	Crow
D699,277 S	2/2014	Samuels	10,101,637 B2	10/2018	Peddecord
D702,747 S	4/2014	Woodman	D837,861 S	1/2019	Luo
8,718,457 B2	5/2014	Clark	D840,463 S	2/2019	Nguyen
D706,603 S	6/2014	Kokawa	D846,620 S	4/2019	Katori
D710,921 S	8/2014	Gioscia	D848,500 S	5/2019	Miyashita
D710,922 S	8/2014	Gioscia	D849,084 S	5/2019	Hu
8,794,579 B2	8/2014	Sturman	D850,520 S	6/2019	Voss
D722,097 S	2/2015	Kim	D851,155 S	6/2019	Hu
D724,637 S	3/2015	Samuels	D854,597 S	7/2019	Gao
D724,638 S	3/2015	Samuels	D856,391 S	8/2019	Liu
D725,169 S	3/2015	Gioscia	D861,761 S	10/2019	Bergman
D727,387 S	4/2015	Hasegawa	D867,420 S	11/2019	Zhang
9,004,783 B1	4/2015	Woodman	D867,427 S	11/2019	Bai
D730,423 S	5/2015	Vandenbussche	D868,131 S	11/2019	Hu
D732,593 S	6/2015	Woodman	D868,871 S	12/2019	Nguyen
D732,601 S	6/2015	Coyle	D869,539 S	12/2019	Hu
D733,787 S	7/2015	Baker	D871,480 S	12/2019	Hu
D733,788 S	7/2015	Baker	D872,156 S	1/2020	Zhao
D736,848 S	8/2015	Kim	D880,567 S	4/2020	Zhang
D737,647 S	9/2015	Elder	D880,569 S	4/2020	Zhang
D739,451 S	9/2015	Gioscia	D881,254 S	4/2020	Guo
D740,876 S	10/2015	Woodman	D884,061 S	5/2020	Arens
D741,394 S	10/2015	Gioscia	D888,792 S	6/2020	Luo
D745,589 S	12/2015	Lee	D890,835 S	7/2020	Nguyen
D749,164 S	2/2016	Raccah	D891,500 S	7/2020	Tang
D750,146 S	2/2016	Costa	D904,498 S	12/2020	Lim
D750,680 S	3/2016	Chen	D907,680 S	1/2021	Nguyen
D750,687 S	3/2016	Samuels	D908,778 S	1/2021	Xu
D752,671 S	3/2016	Harrison	D909,450 S	2/2021	Grant
D752,672 S	3/2016	Clearman	D911,411 S	2/2021	Coster
9,282,226 B2	3/2016	Samuels	D911,412 S	2/2021	Alberstein
D754,230 S	4/2016	Mori	D912,120 S	3/2021	Druker
D754,240 S	4/2016	Samuels	D920,419 S	5/2021	Muhlenkamp, IV
D755,277 S	5/2016	Shnholz	D921,084 S	6/2021	Muhlenkamp, IV
D758,474 S	6/2016	Harrison	D924,297 S	7/2021	Imai
D759,141 S	6/2016	Bacon	D925,643 S	7/2021	Hsu
			D926,853 S	8/2021	Wei
			D929,489 S	8/2021	Coster
			D933,115 S	10/2021	Druker
			D934,945 S	11/2021	Wu

(56)

References Cited

U.S. PATENT DOCUMENTS

D935,506	S	11/2021	Tan
D939,608	S	12/2021	Han
D941,904	S	1/2022	Coster
D943,654	S	2/2022	Jiang
11,258,988	B1	2/2022	Douglas Dudley
D946,071	S	3/2022	Muhlenkamp
D946,072	S	3/2022	Muhlenkamp
D946,074	S	3/2022	Muhlenkamp
D947,920	S	4/2022	Muhlenkamp
D949,222	S	4/2022	Bergman
D950,624	S	5/2022	Muhlenkamp
2002/0046218	A1	4/2002	Gilbert
2007/0071423	A1	3/2007	Fantone
2008/0152337	A1	6/2008	Gartner
2011/0317065	A1	12/2011	Lin
2014/0185853	A1	7/2014	Aihara
2014/0198932	A1	7/2014	Parkins
2014/0226055	A1	8/2014	Schmidt
2015/0168815	A1	6/2015	Chen
2015/0316835	A1	11/2015	Scott
2015/0326748	A1	11/2015	Tisch
2016/0004142	A1	1/2016	Zhang
2016/0100083	A1	4/2016	Harrison
2016/0229556	A1	8/2016	Zhou
2016/0246162	A1	8/2016	Niemeyer
2017/0059967	A1	3/2017	Harrison
2017/0192341	A1	7/2017	Casarez
2019/0079373	A1	3/2019	Wang
2019/0161208	A1	5/2019	Sun
2022/0053118	A1	2/2022	Nashizawa

OTHER PUBLICATIONS

Google Express IGoPro Karma Harness for HERO4 Black/Silver Camera—AGFHA-001, first reviewed on Mar. 17, 2017, © 2018 Google [online], [site visited Mar. 16, 2018]. Available from Internet, <URL: <https://goo.gl/hugSGv>> 1 page.

GoPro i Shop i Mounts & Accessories, posted on Nov. 16, 2017, © 2018 GoPro, Inc. [online], [site visited Mar. 16, 2018]. Available from Internet, <URL: <https://shop.gopro.com/mounts-accessories/>> (13 Pgs).

GoPro The Frame for HERO5 Black. [online] Published date unknown. Retrieved on Oct. 26, 2016 from <URL: <https://www.bhphotovideo.com/c/product/1274422-REG/gopro.sub.--aafm.sub.--001.sub.--frame.sub.--for.sub.--hero5.html>>. 3 pages.

GoPro, “Karma Stabilizer,” Date Unknown, two pages. [Online] [Retrieved Nov. 2, 2016] Retrieved from the internet <<http://shop.gopro.com/accessories-2/karma-stabilizer/AGMBL-001.html>>. (2 pages).

Linxv i Action Camera Accessories i Action Camera Strap, posted on Jun. 4, 2016, © 2012 Avada [online], [site visited Mar. 16, 2018]. Available from Internet, <URL: <http://www.linxv.com/action-camera-accessories/action-camera-strap/>> (4 Pgs).

Silicon Sleeve Cases for the Frame of Your GoPro Hero 5, retrieved from URL: <https://www.amazon.com/Silicone-Sleeve-Cases-Frame-GoPro/dp/B01NCQ3GOY>, retrieved Mar. 30, 2018 (6 pages).

Silicon Sleeve for GoPro Her04 Housing—GOcase, retrieved from URL: <https://www.gocase.com/products/silicon-sleeve-for-gopro-hero4-housing>, retrieved Mar. 30, 2018 (2 pages).

Silicone Sleeve Cases for The Frame of your GoPro Hero 5 (1× Frame / 1× Camera Case, Blue + Black), URL: https://www.amazon.com/dp/B01MR00OPJ/ref=asc_df_B01MR00OPJ5357481/?tag=hyprod-20&creative=395033&creativeASIN=B01MR00OPJ&linkCode=df0&hvadid=167139098072&hvpos=1o1&hvnetw=g&hvrand=8248390090609077295&hvpone=&hvptwo=&hvqmt=&hvdev=c&hvdemdl=&hvlocint=&hvlocphy=1014237&hvtargid=pla-332273337114, retrieved Mar. 30, 2018 (6 pages).

Suction Cup & Locking Arm. Online, published date unknown. Retrieved on Jan. 11, 2018 from URL: <https://joby.com/suction-cup-with-locking-arm> (1 page).

The Frame. [online] Published date unknown. Retrieved on Oct. 24, 2016 from <URL: <http://shop.gopro.com/accessories-2/the-frame/ANDFR-302.html>>. 3 pages.

United States Office Action, U.S. Appl. No. 29/548,666, dated Nov. 17, 2016, 8 pages.

* cited by examiner

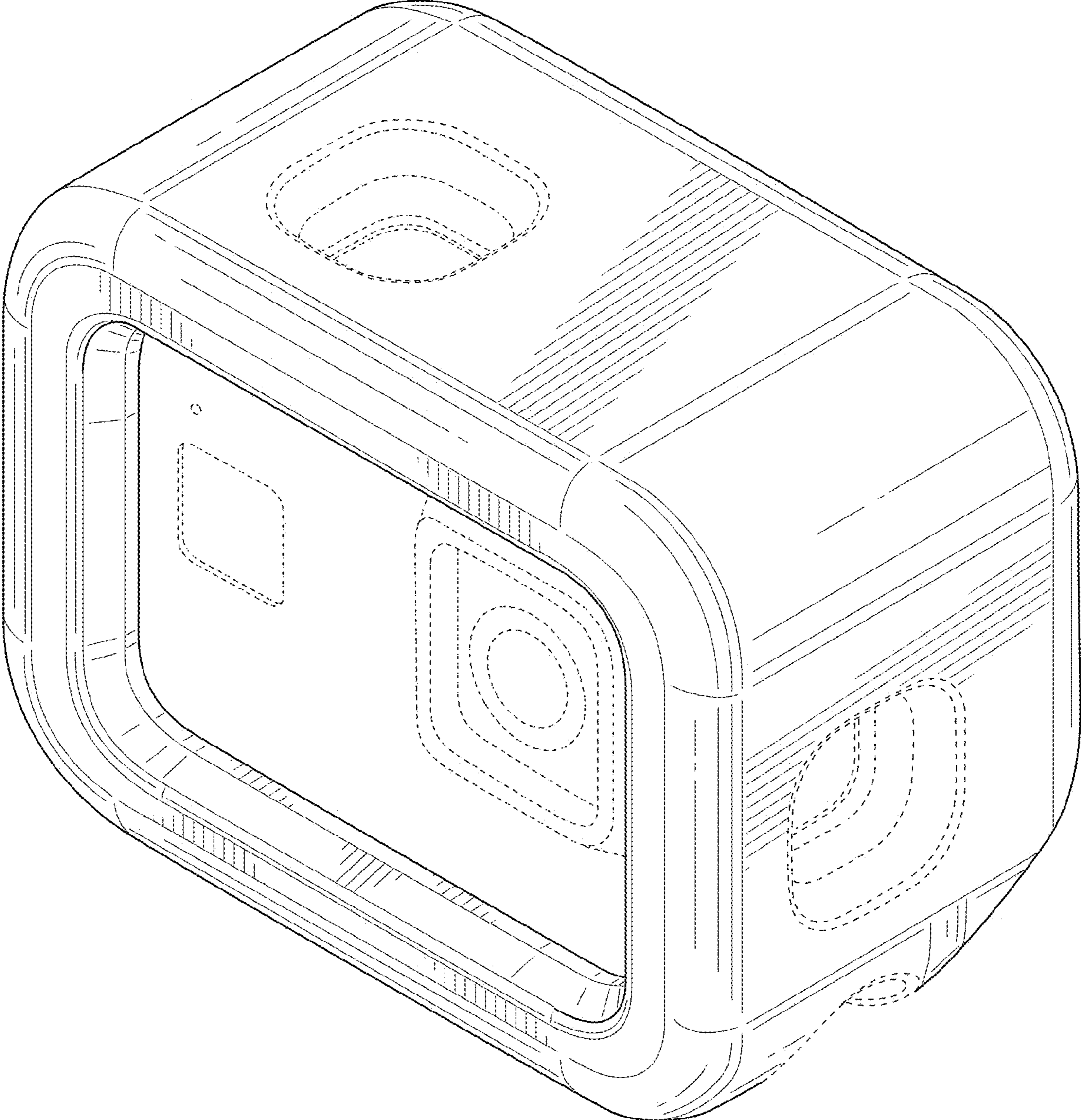


FIG. 1

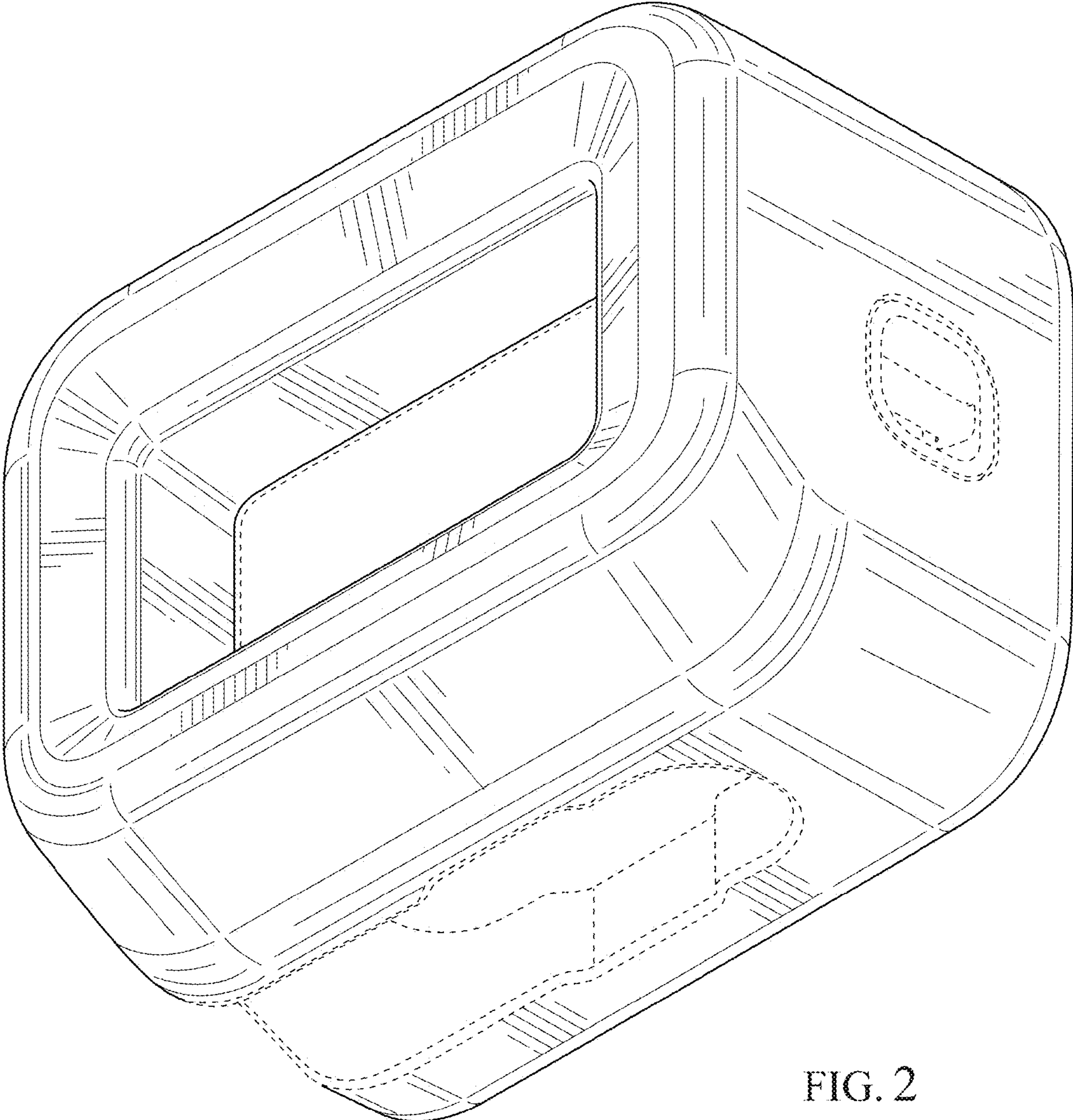


FIG. 2

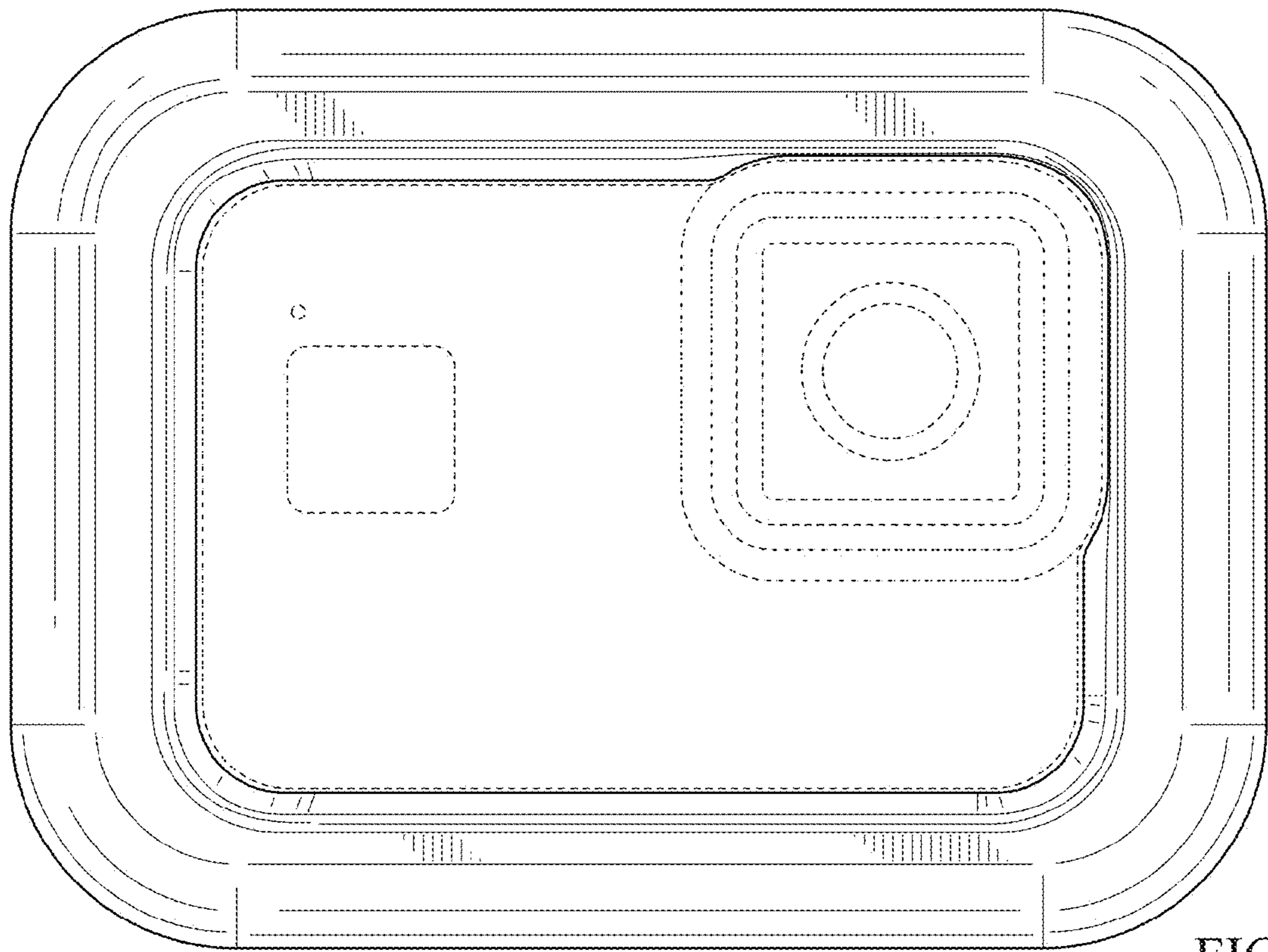


FIG. 3

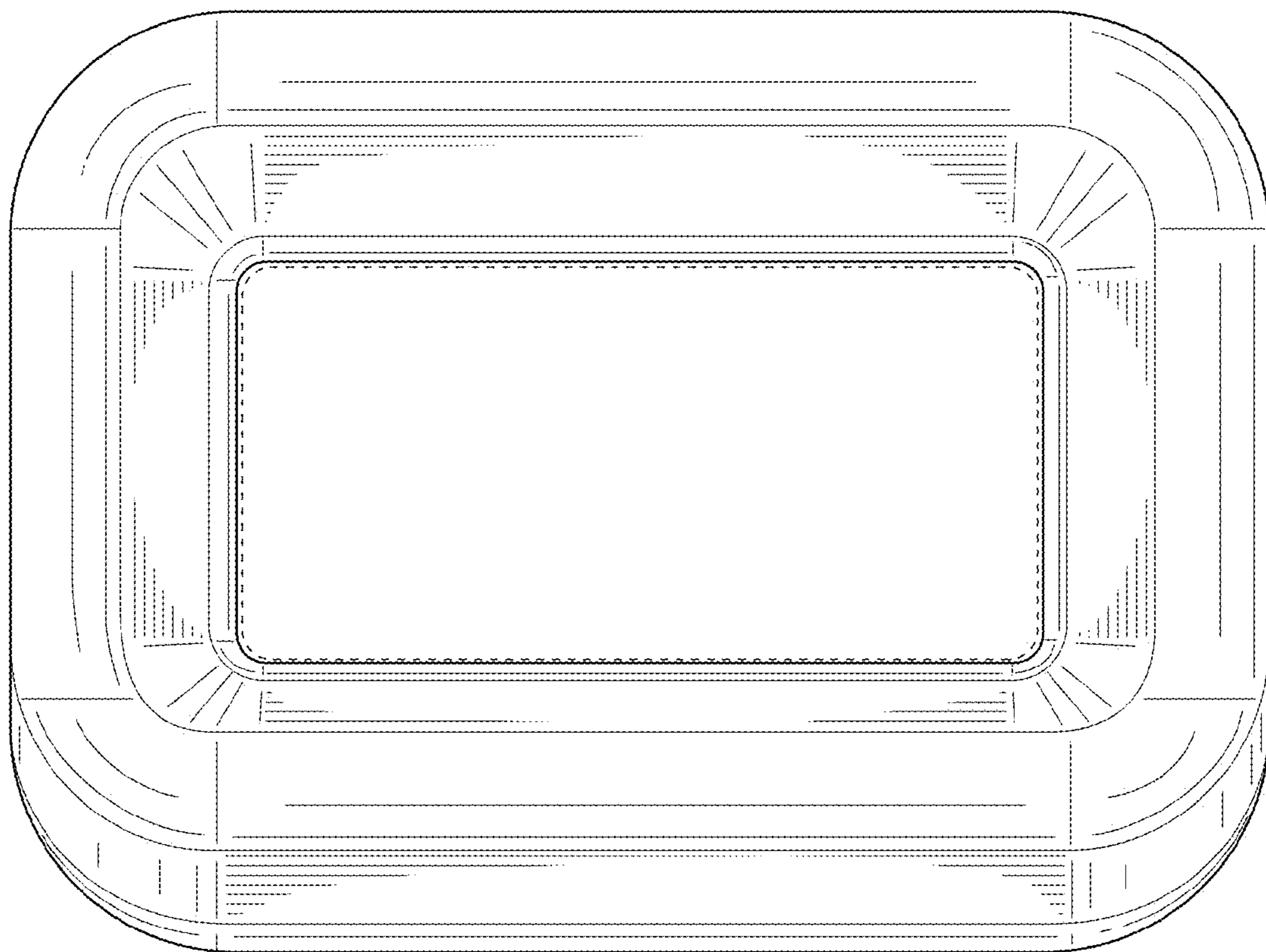


FIG. 4

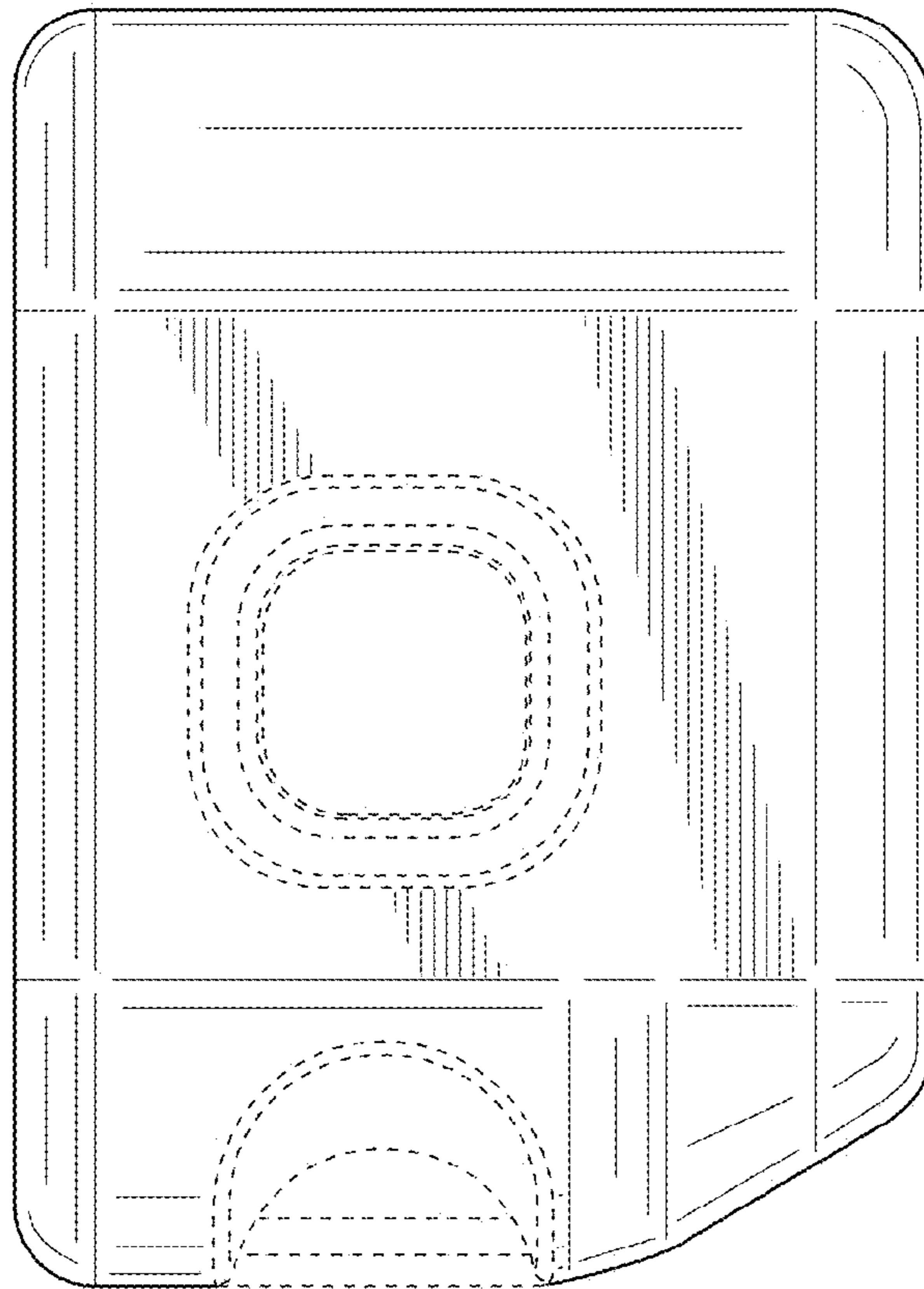


FIG. 5

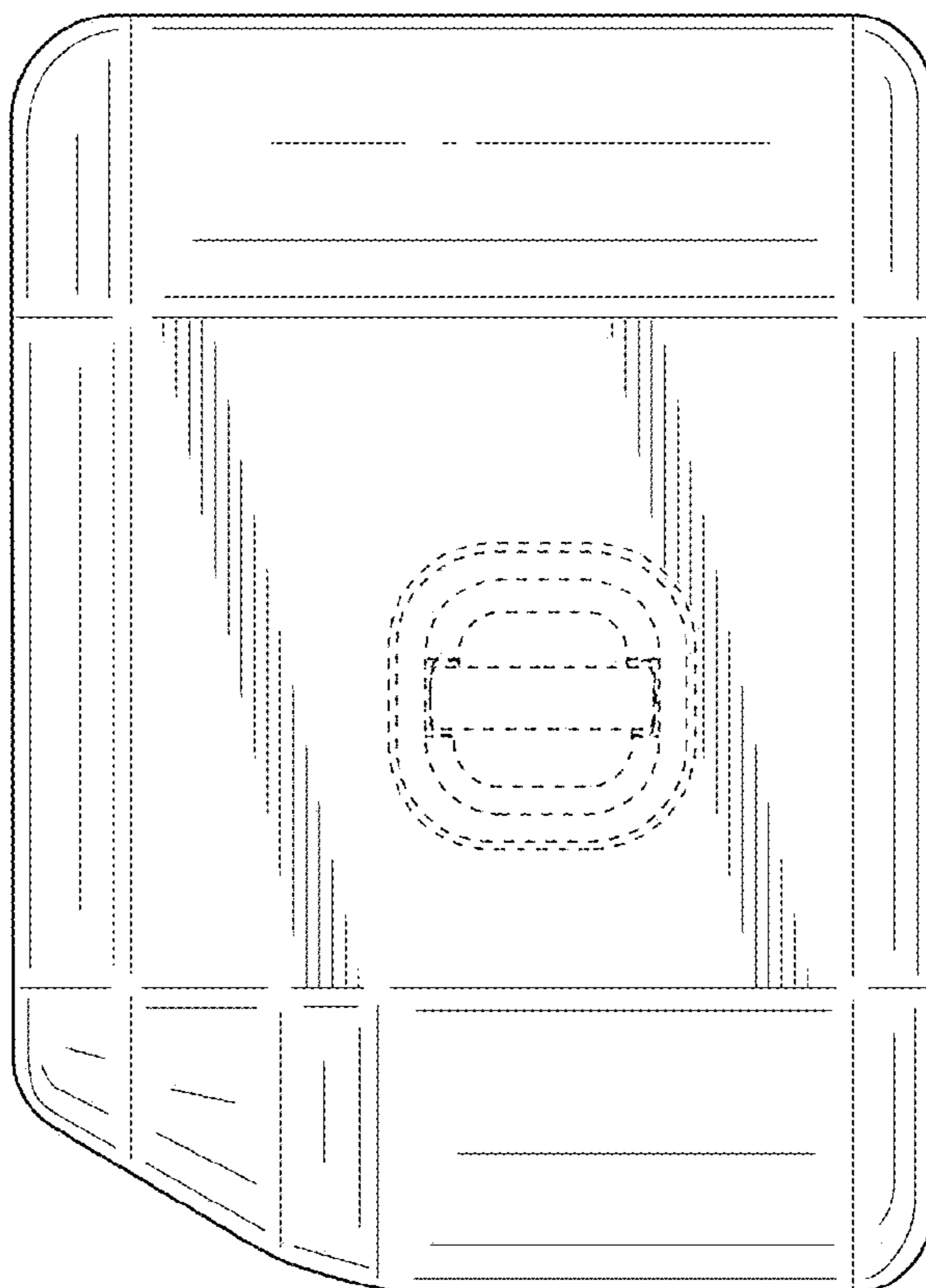


FIG. 6

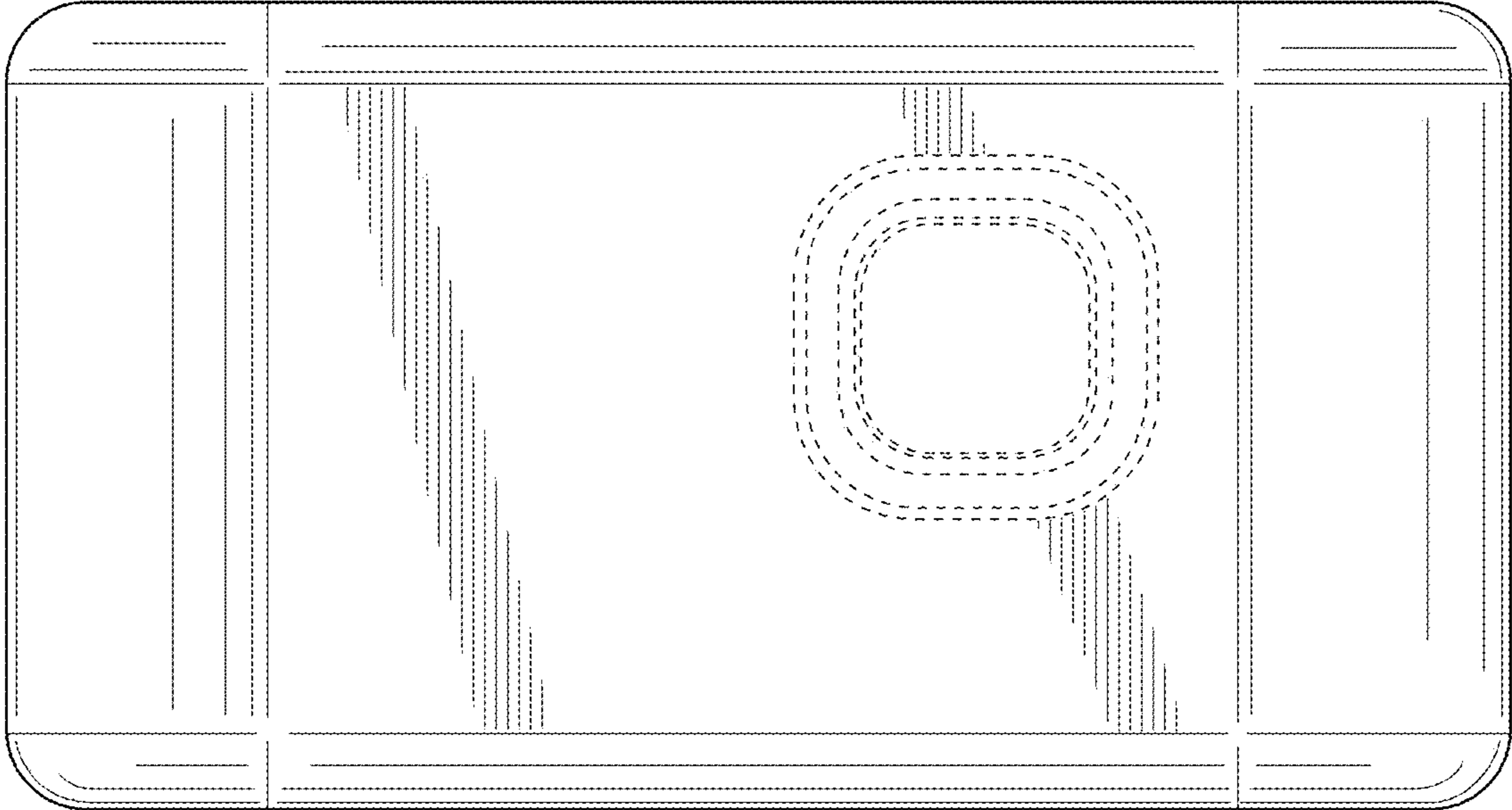


FIG. 7

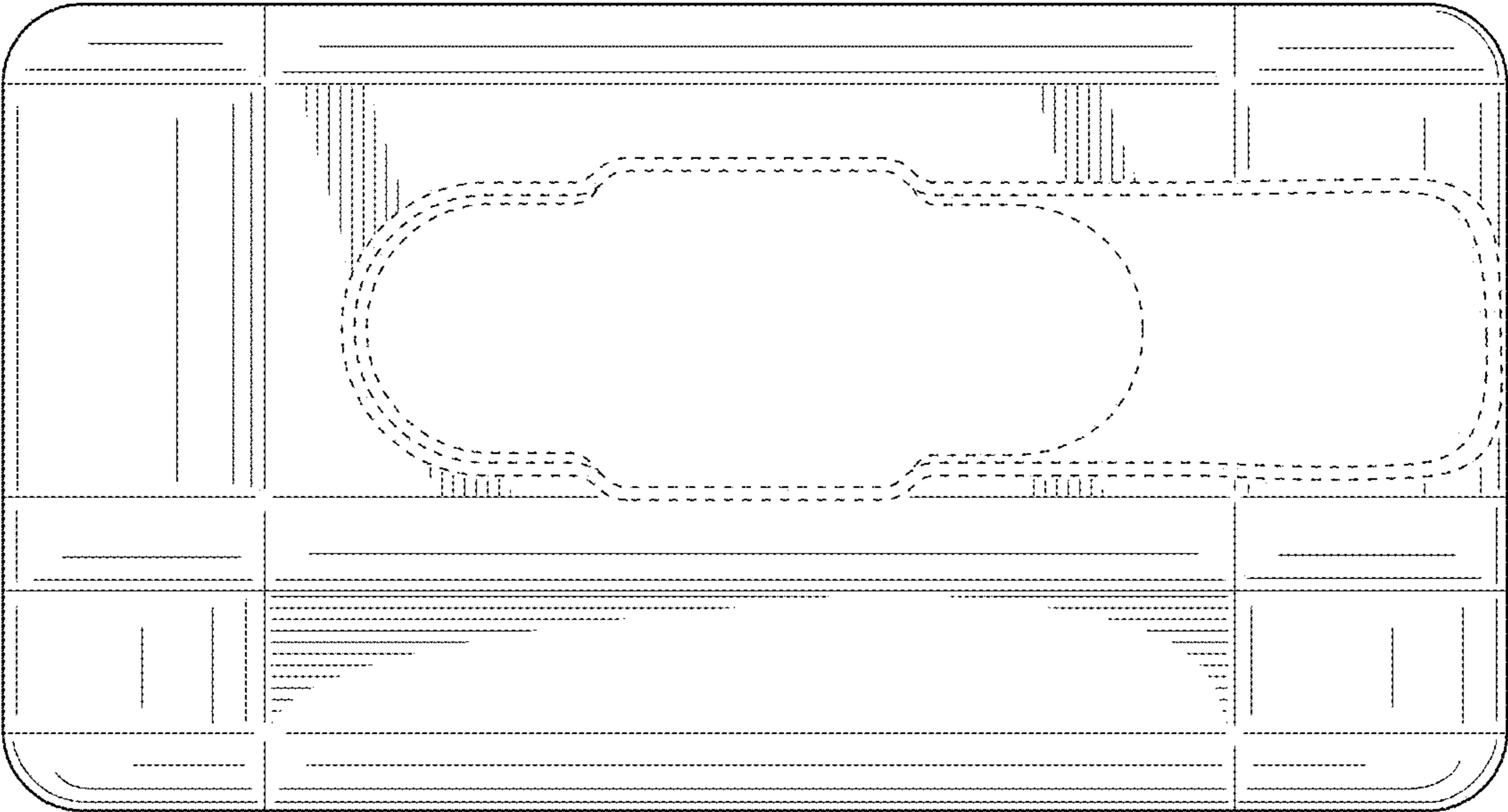


FIG. 8