



US00D977545S

(12) **United States Design Patent** (10) **Patent No.:** **US D977,545 S**
Chen et al. (45) **Date of Patent:** **** Feb. 7, 2023**

(54) **OPTICAL COVER WITH FACETED SURFACE**

(71) Applicant: **ABL IP Holding LLC**, Atlanta, GA (US)

(72) Inventors: **Jie Chen**, Snellville, GA (US); **Melissa Ricketts**, Conyers, GA (US)

(73) Assignee: **ABL IP HOLDING LLC**, Atlanta, GA (US)

(**) Term: **15 Years**

(21) Appl. No.: **29/682,909**

(22) Filed: **Mar. 8, 2019**

(51) **LOC (14) Cl.** **16-06**

(52) **U.S. Cl.**
USPC **D16/136**

(58) **Field of Classification Search**
USPC D16/136, 130, 134, 137; D26/122, 124
CPC G02B 3/08; G02B 5/04
See application file for complete search history.

(56) **References Cited**

U.S. PATENT DOCUMENTS

D27,971 S *	12/1897	Belcher	D26/122
1,307,579 A *	6/1919	Churchill et al.	G02B 3/08
				359/743
1,682,490 A *	8/1928	Dressler	G02B 3/08
				362/334
3,523,721 A *	8/1970	Hoffman	G02B 3/08
				359/743
D235,578 S *	6/1975	Miyaki	D16/136
D283,362 S *	4/1986	Levin	D26/122
D297,267 S *	8/1988	Scowen	D26/122
7,559,672 B1	7/2009	Parkyn et al.		
D608,807 S *	1/2010	Chern	D16/101
D679,444 S *	4/2013	Vasylyev	D26/120
D721,200 S *	1/2015	Kim	D26/122

D775,678 S *	1/2017	Cockley	D16/137
D804,084 S *	11/2017	Radl	D26/120
D822,885 S	7/2018	Tweel et al.		
D833,670 S *	11/2018	Zhao	D16/136
D884,261 S *	5/2020	Long	D26/138
2004/0105171 A1*	6/2004	Minano	G02B 3/08
				359/728

(Continued)

Primary Examiner — Richard Kearney

Assistant Examiner — Benjamin M Weeks

(74) *Attorney, Agent, or Firm* — Kilpatrick Townsend & Stockton LLP

(57) **CLAIM**

The ornamental design for an optical cover with faceted surface, as shown and described.

DESCRIPTION

FIG. 1 is an isometric view, as seen from a first angle, of an optical cover with faceted surface;

FIG. 2 is an isometric view, as seen from a second angle, of the optical cover with faceted surface of FIG. 1;

FIG. 3 is an end elevation of the optical cover with faceted surface of FIG. 1, an opposing end elevation thereof being identical;

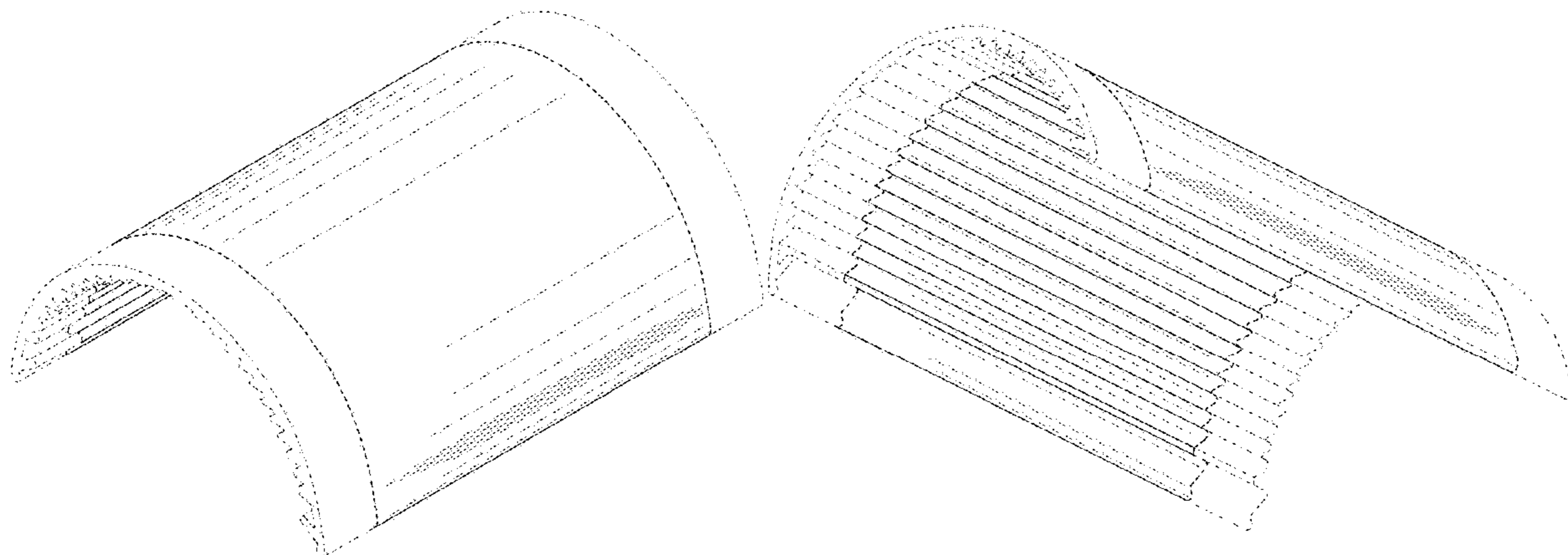
FIG. 4 is a front elevation of the optical cover with faceted surface of FIG. 1, a rear elevation thereof being identical; FIG. 5 is a cross-sectional view of the optical cover with faceted surface of FIG. 1, taken at cross-sectional plane 5-5' indicated in FIG. 4;

FIG. 6 is a top plan view of the optical cover with faceted surface of FIG. 1; and,

FIG. 7 is a bottom plan view of the optical cover with faceted surface of FIG. 1.

Bold broken lines indicate the bounds of the claim. Light weight broken lines illustrate portions of the optical cover with faceted surface; all broken lines form no part of the claimed design.

1 Claim, 6 Drawing Sheets



(56)

References Cited

U.S. PATENT DOCUMENTS

2009/0195894 A1* 8/2009 Takagi G02B 5/1895
264/2.6
2021/0299915 A1* 9/2021 Shamoto B29C 33/424
2022/0221621 A1* 7/2022 Sato G02B 5/04

* cited by examiner

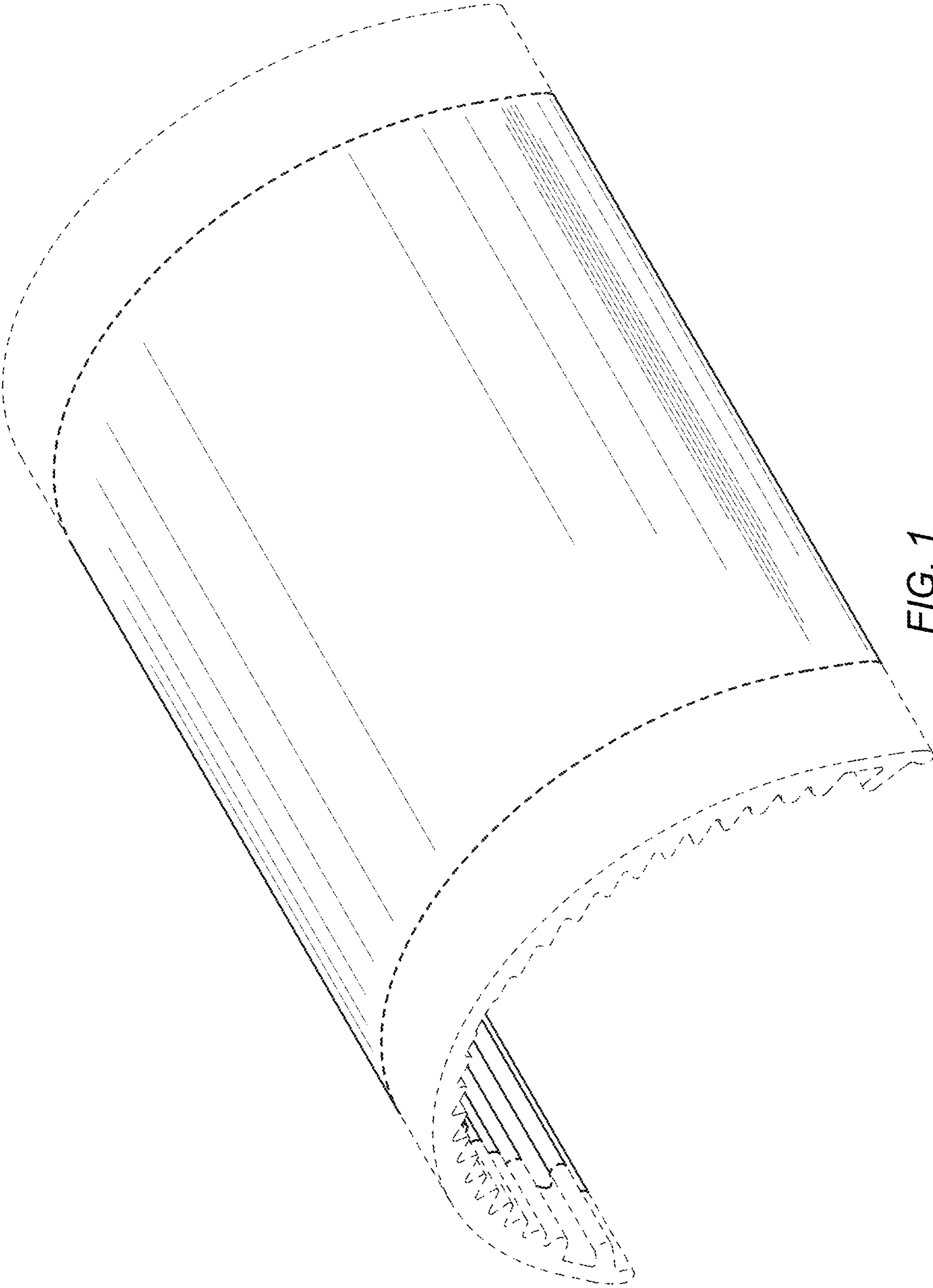


FIG. 1

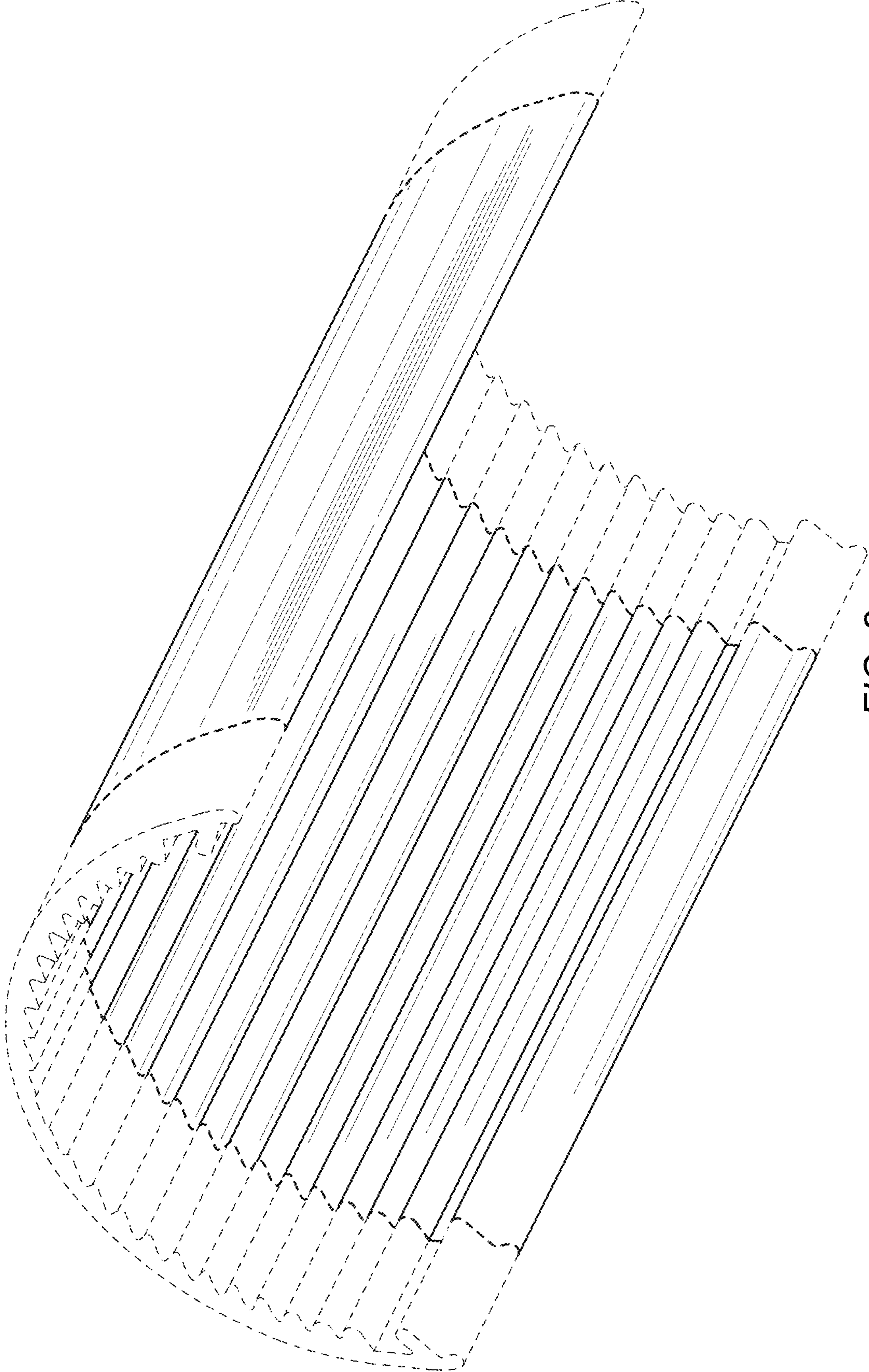


FIG. 2

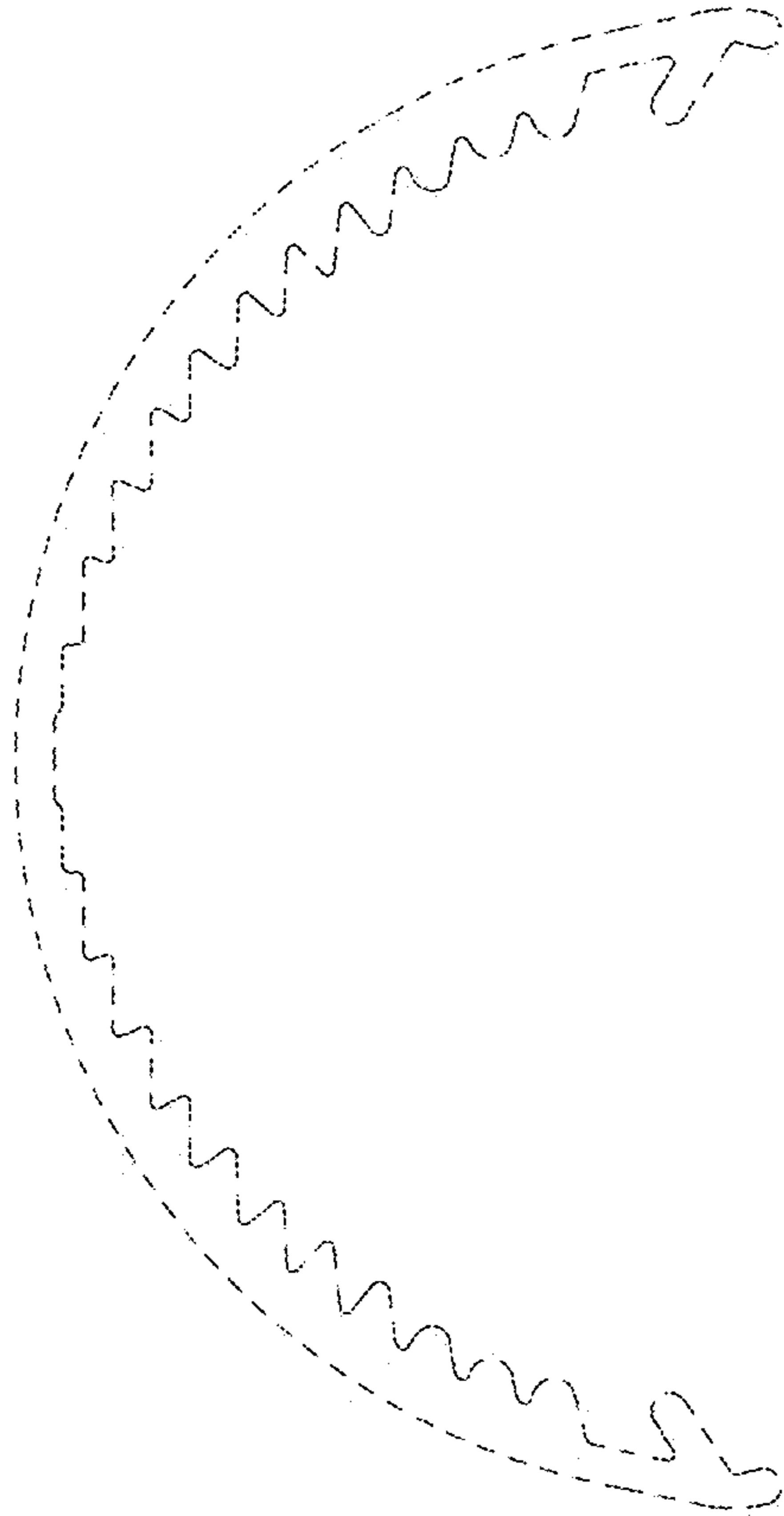


FIG. 3

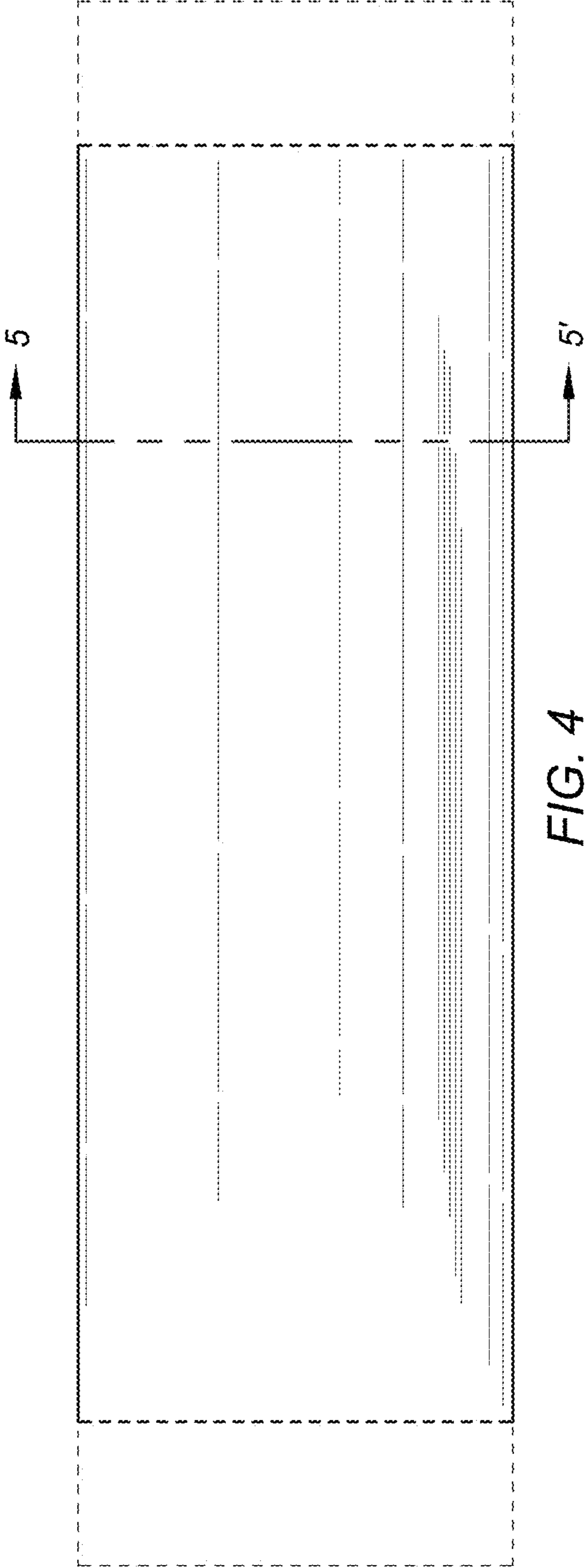


FIG. 4

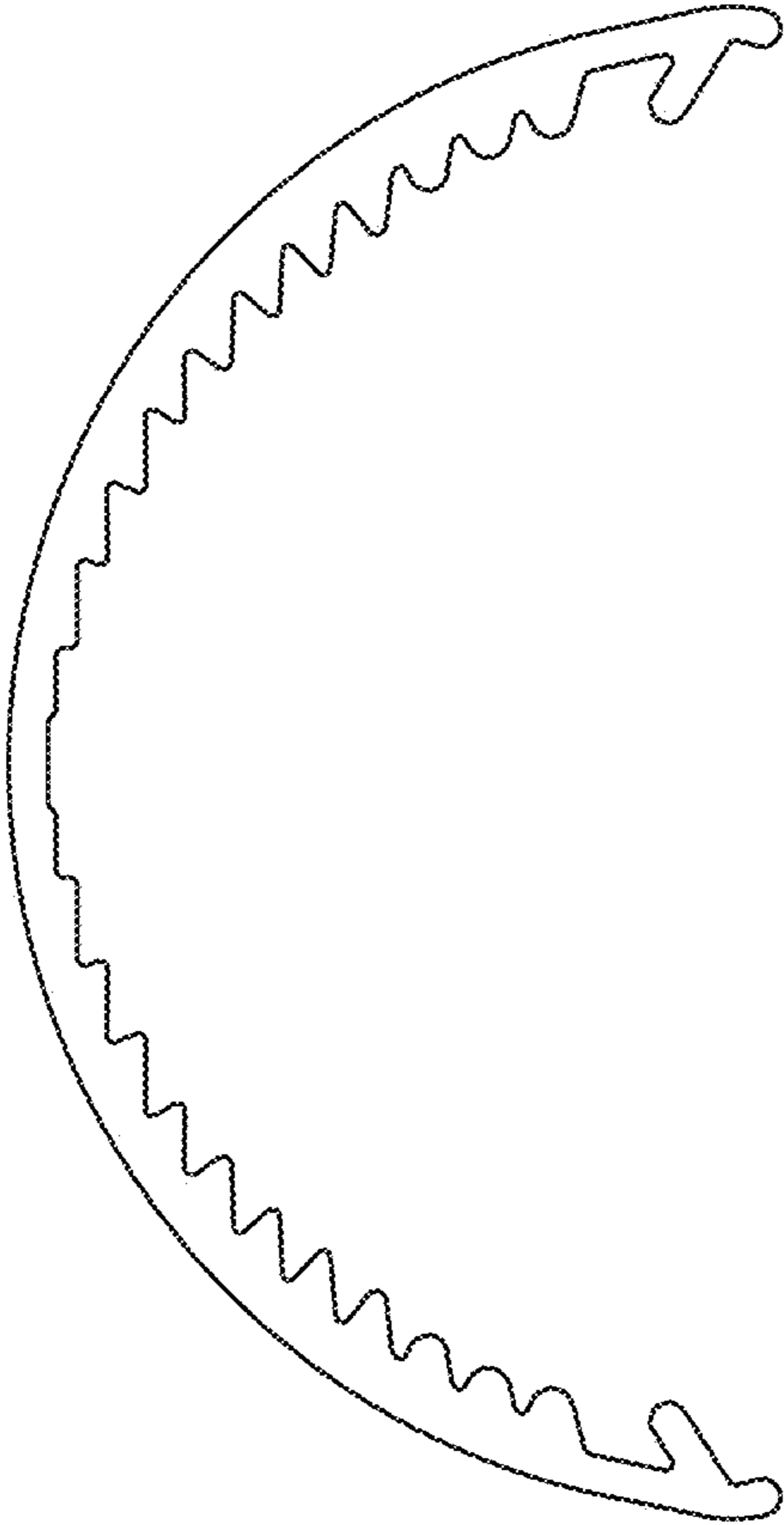


FIG. 5

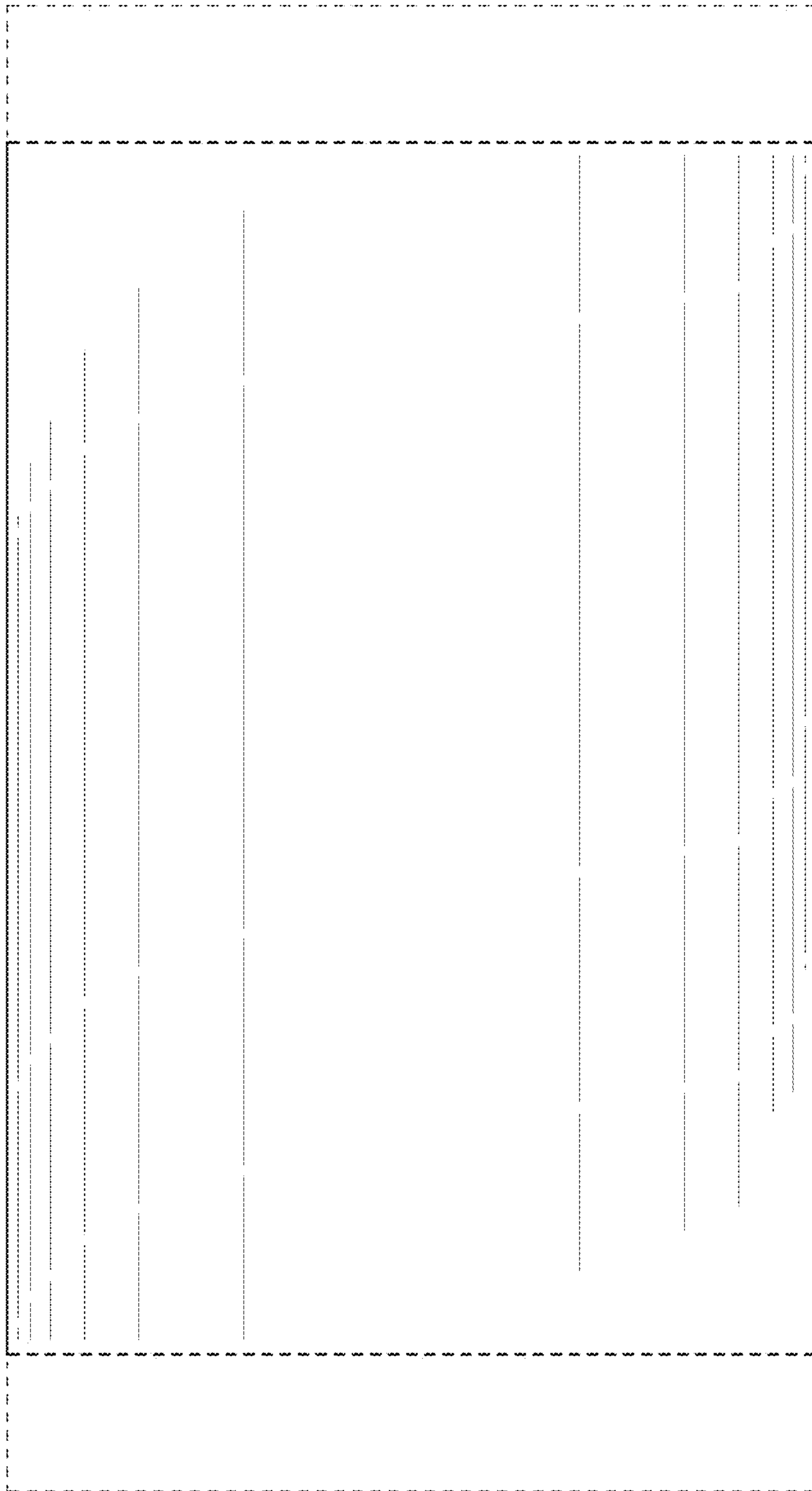


FIG. 6

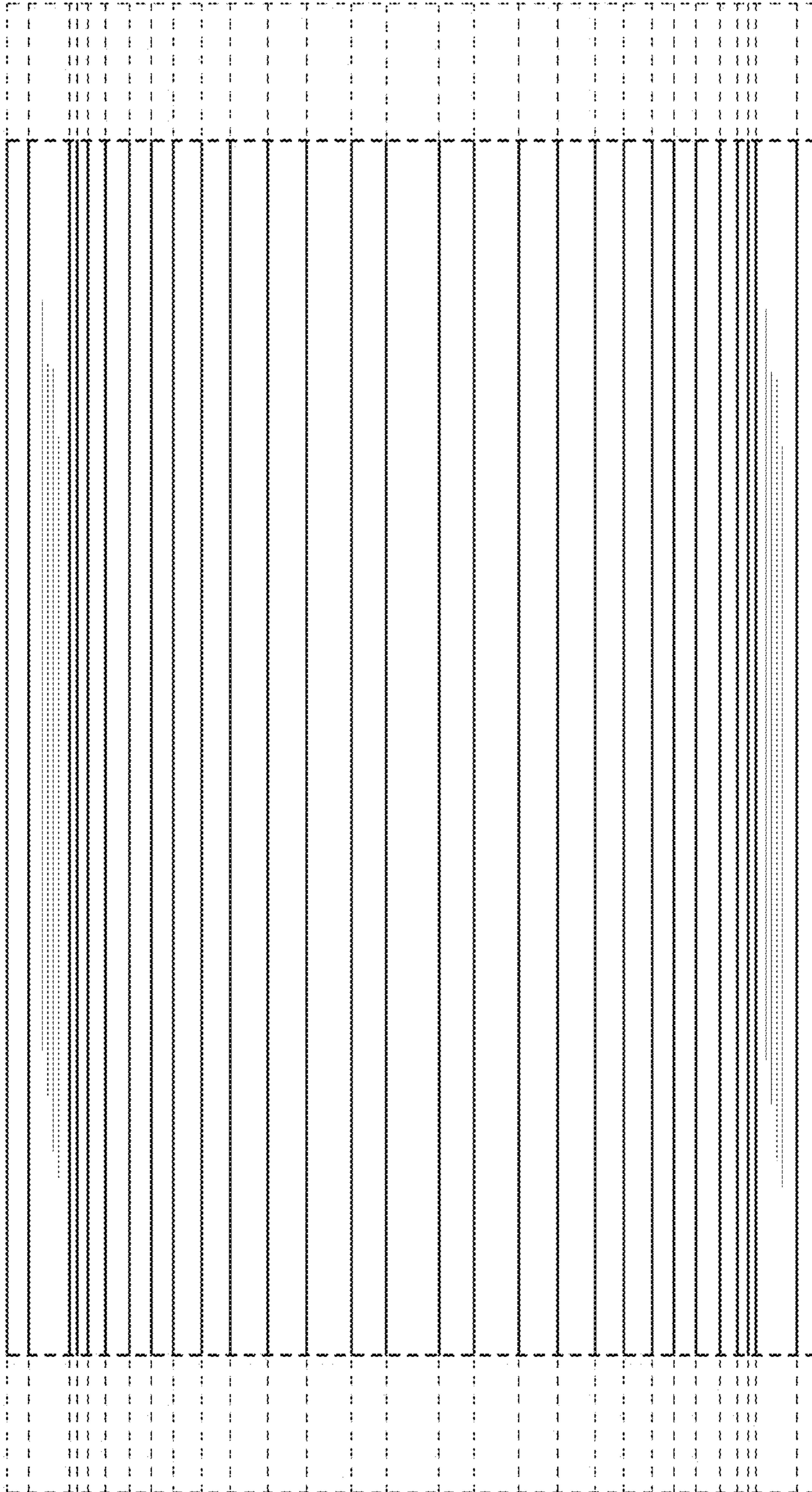


FIG. 7