



US00D977543S

(12) **United States Design Patent** (10) **Patent No.:** **US D977,543 S**
Boinnard et al. (45) **Date of Patent:** **** Feb. 7, 2023**

(54) **EYEWEAR LENSES**

(71) Applicant: **100% SPEEDLAB, LLC**, San Diego, CA (US)

(72) Inventors: **Ludovic Francis Boinnard**, San Diego, CA (US); **Marc Guy Blanchard**, Solana Beach, CA (US); **Jerome Jacques Marie Mage**, San Diego, CA (US)

(73) Assignee: **100% Speedlab, LLC**, San Diego, CA (US)

(**) Term: **15 Years**

(21) Appl. No.: **29/779,706**

(22) Filed: **Apr. 20, 2021**

(51) **LOC (14) Cl.** **16-06**

(52) **U.S. Cl.**
USPC **D16/101**

(58) **Field of Classification Search**
USPC D14/372; D16/100, 101, 300-342; D21/658-661; D24/110.2; D29/104-110
CPC ... G02C 7/02; G02C 1/10; G02C 3/00; G02C 5/124; G02C 7/022; G02C 1/00; G02C 1/02; G02C 1/023; G02C 5/00; G02C 5/001; G02C 5/02; G02C 5/04; G02C 5/10; G02C 5/12; G02C 5/146; G02C 5/22; G02C 7/061; G02C 7/063; G02C 7/10; G02C 2200/02; G02C 2200/04; G02C 2200/06; G02C 2200/08; G02C 2200/18; G02C 2200/20; B29D 11/00; B29D 11/00009; B29D 11/00028; B29D 11/00019; A61F 2009/021; A61F 9/025; A61F 9/045; A61F 9/02; A63B 33/002; A63B 33/004; A63B 33/006; A63B 33/008

See application file for complete search history.

(56) **References Cited**

U.S. PATENT DOCUMENTS

6,709,098 B1 * 3/2004 Wang Lee G02C 1/04 351/86
D748,175 S * 1/2016 Yoo D16/101
D783,698 S * 4/2017 Garfias D16/101
(Continued)

FOREIGN PATENT DOCUMENTS

CN 3334243 * 11/2003
EM 008722631-0009 * 10/2021
EM 008722631-0012 * 10/2021

OTHER PUBLICATIONS

Oakley Women's Flak Beta, product availability Sep. 18, 2020 [online], no video/pictured review [online], [site visited Oct. 31, 2022]:URL: <https://www.amazon.com/gp/product/B087CJYPPY/ref=sw_img_1?smid=ATVPDKIKX0DER&psc=1> (Year: 2020).*

(Continued)

Primary Examiner — Bao-Yen T Nguyen
Assistant Examiner — Loryn K. Leblanc
(74) *Attorney, Agent, or Firm* — Kolitch Romano
Dascenzo Gates LLC

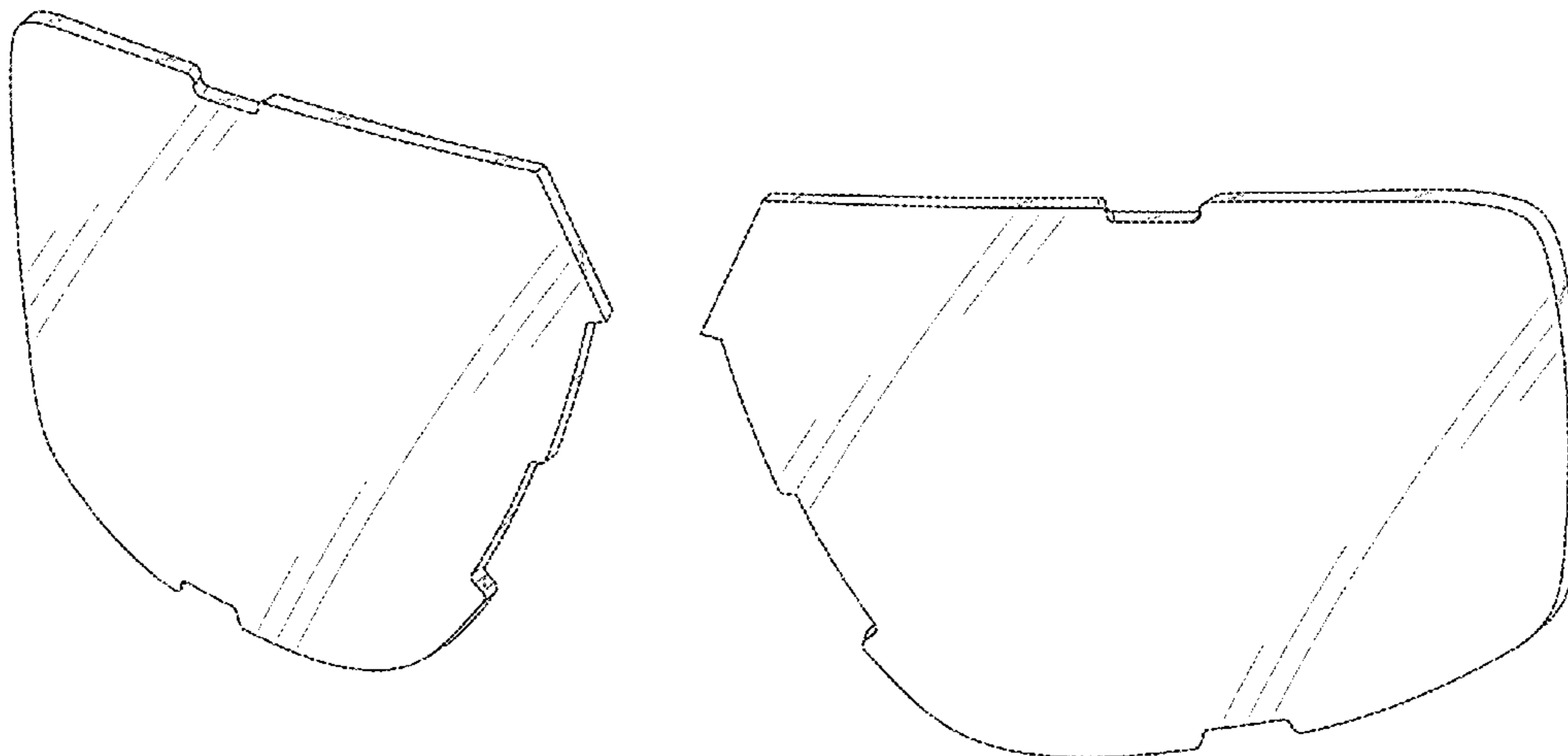
(57) **CLAIM**

The ornamental design for eyewear lenses, as shown and described.

DESCRIPTION

FIG. 1 is a front perspective view of an eyewear lenses showing our new design;
FIG. 2 is a rear perspective view thereof;
FIG. 3 is a front view thereof;
FIG. 4 is a rear view thereof;
FIG. 5 is a right side view thereof, the left side view being a mirror image thereof;
FIG. 6 is a top view thereof; and,
FIG. 7 is a bottom view thereof.

1 Claim, 7 Drawing Sheets



(56)

References Cited

U.S. PATENT DOCUMENTS

D809,042 S * 1/2018 Thixton D16/101
2008/0186445 A1 * 8/2008 Van Atta G02C 1/04
351/103
2013/0293829 A1 * 11/2013 Chen G02C 5/22
351/133
2014/0063439 A1 * 3/2014 Chen G02C 1/06
351/96
2018/0210225 A1 * 7/2018 Chen G02C 5/146
2018/0284728 A1 * 10/2018 Anatole B24B 13/00
2018/0348540 A1 * 12/2018 Huang G02C 5/02
2022/0334406 A1 * 10/2022 Boinnard G02C 1/10

OTHER PUBLICATIONS

PapaViva Replacement Lenses, product availability Jun. 30, 2017 [online], picture review Jul. 9, 2020 [online], [site visited Oct. 31, 2022]; URL: <https://www.amazon.com/gp/product/B07F812L4H/ref=sw_img_1?smid=A2O4TUAORSKDJL&psc=1> (Year: 2017).*

* cited by examiner

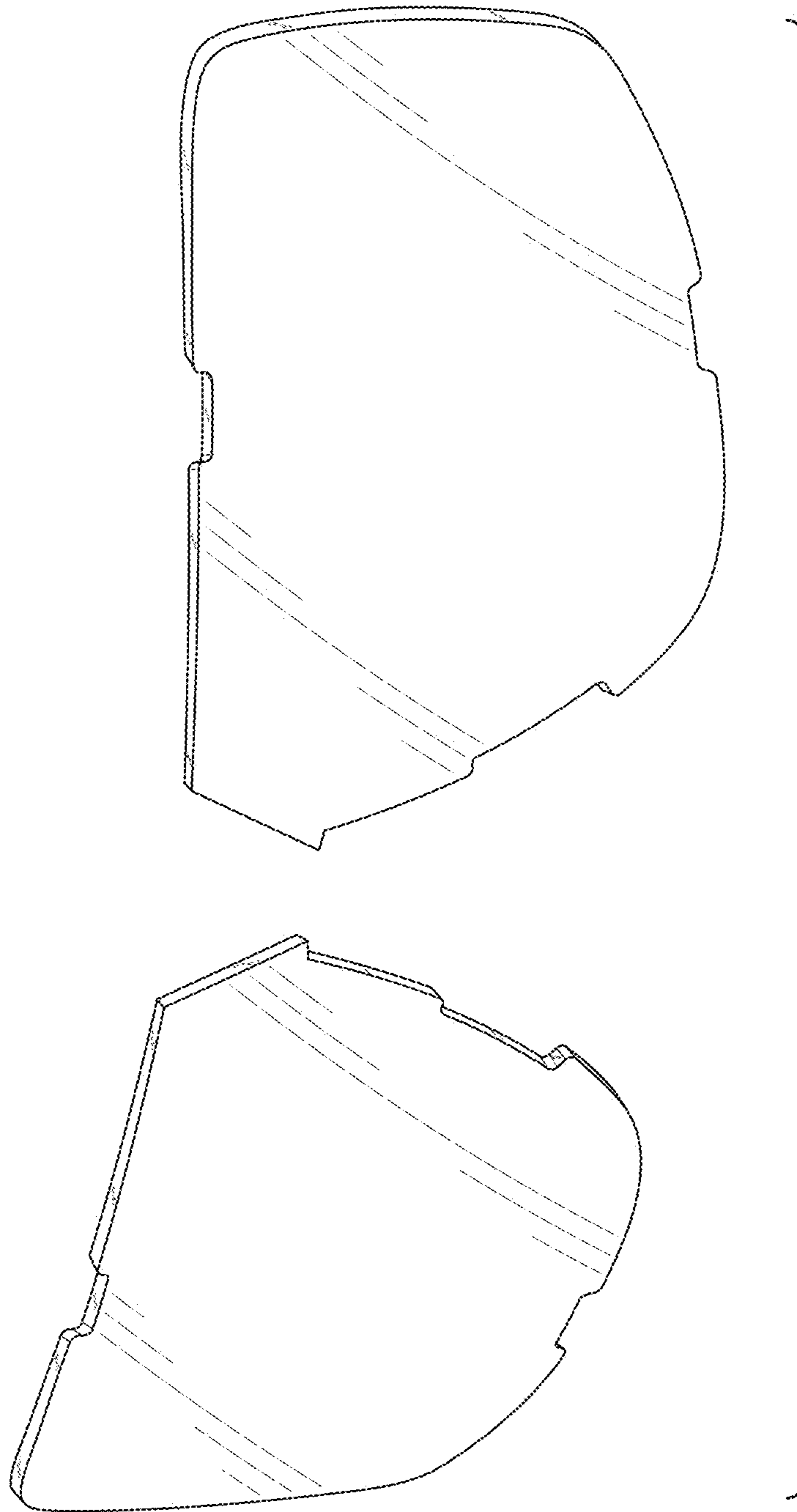


FIG. 1

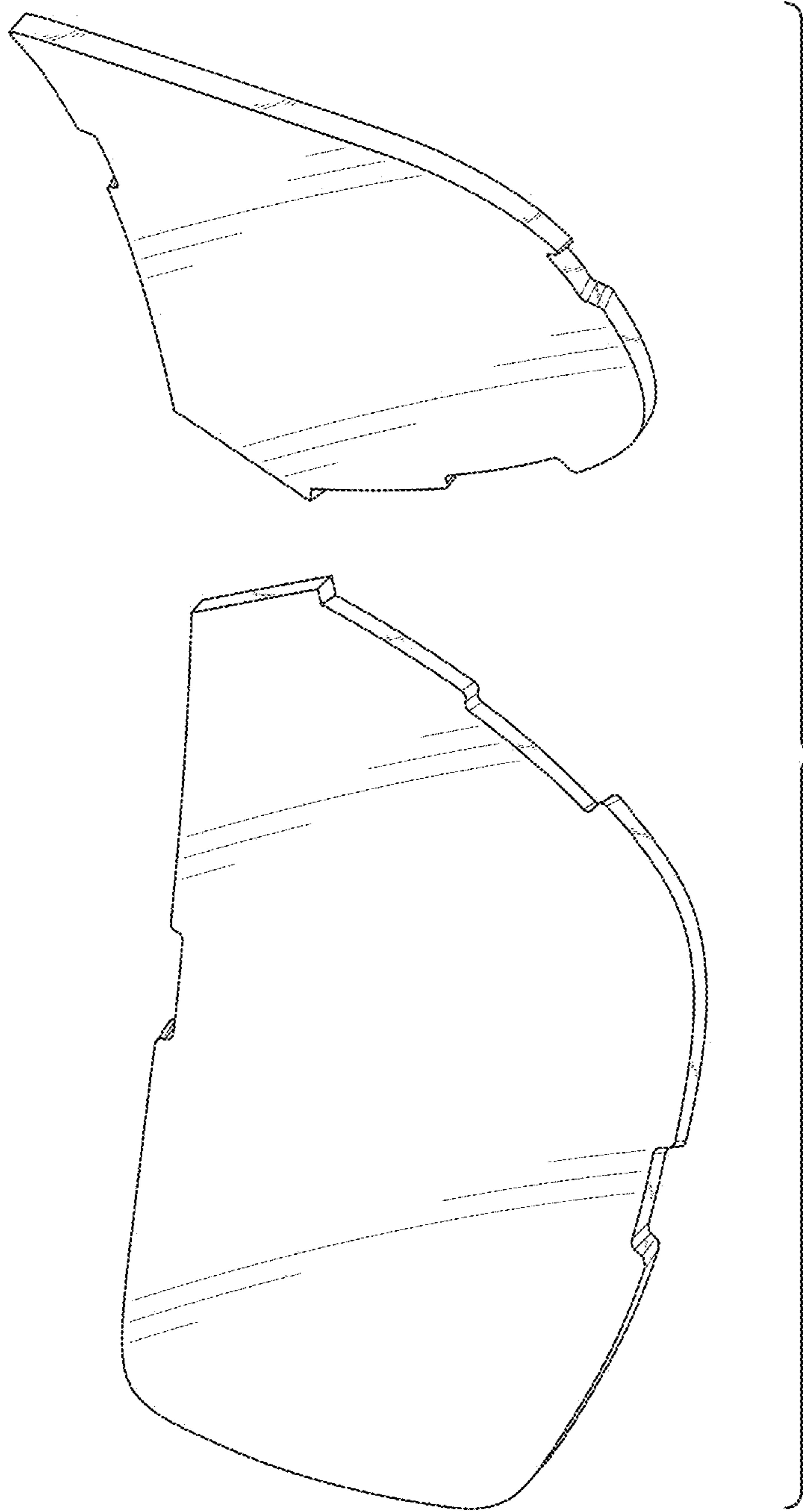


FIG. 2

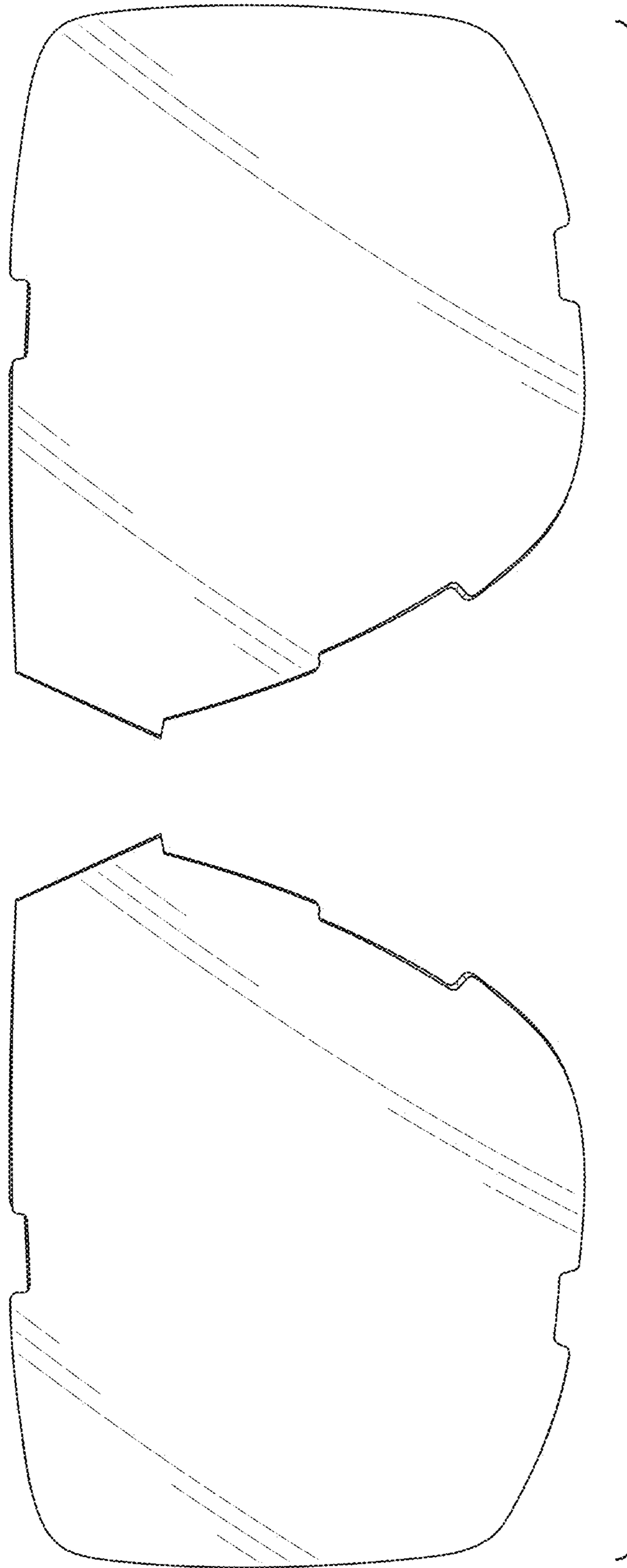


FIG. 3

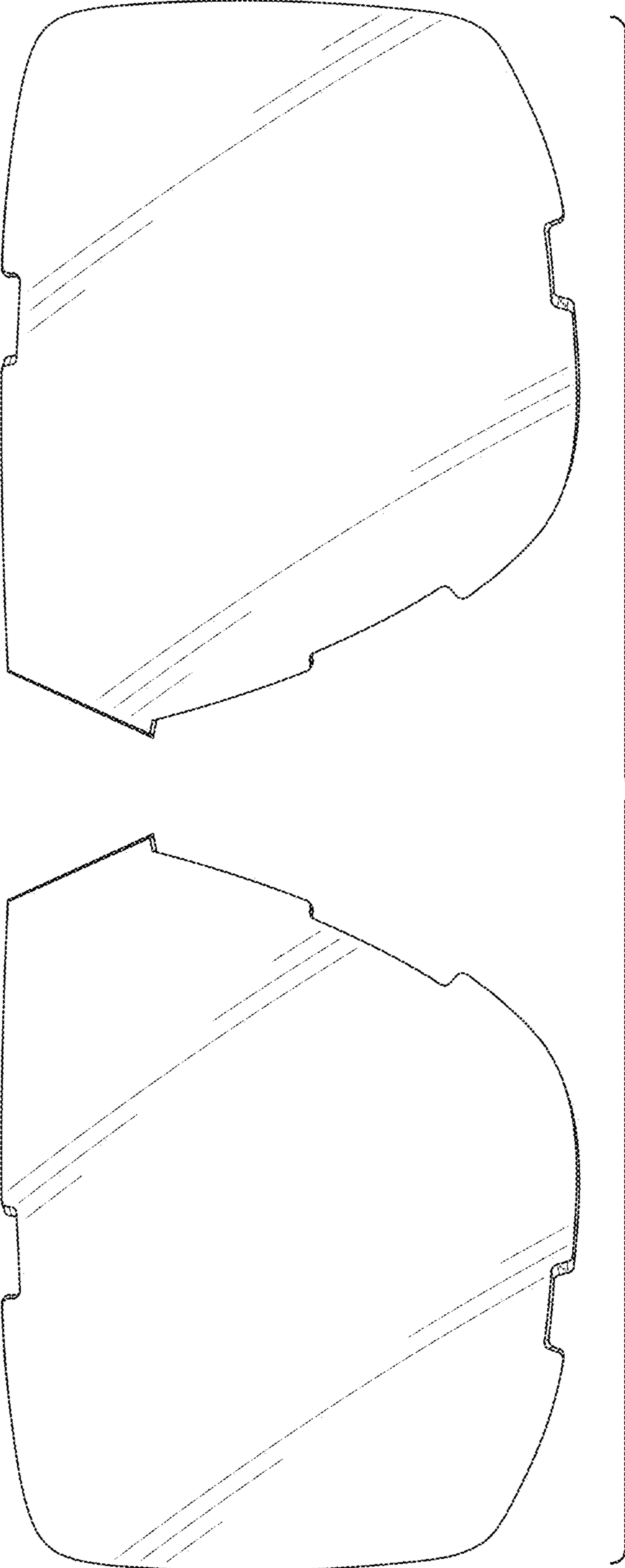


FIG. 4

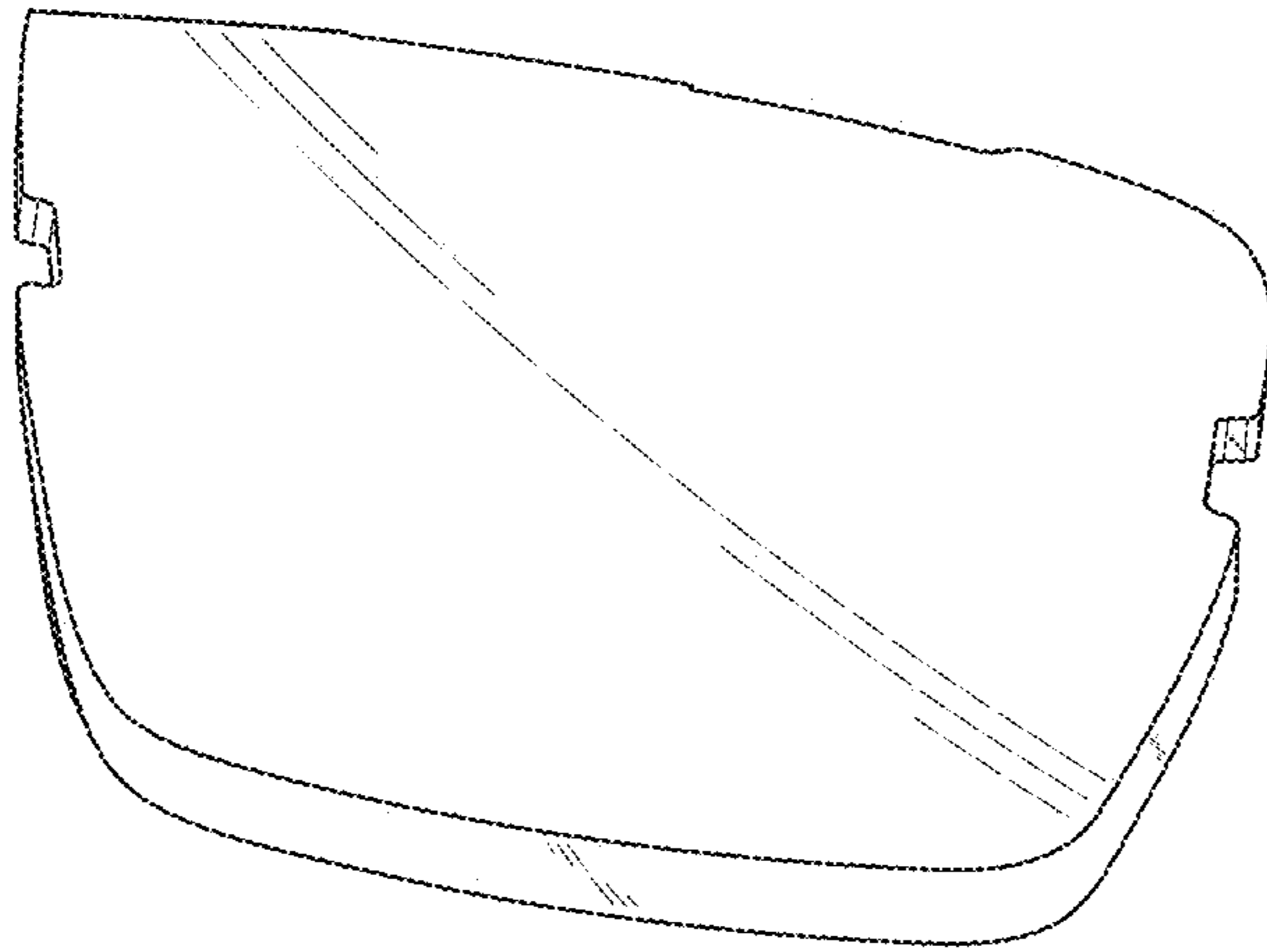


FIG. 5

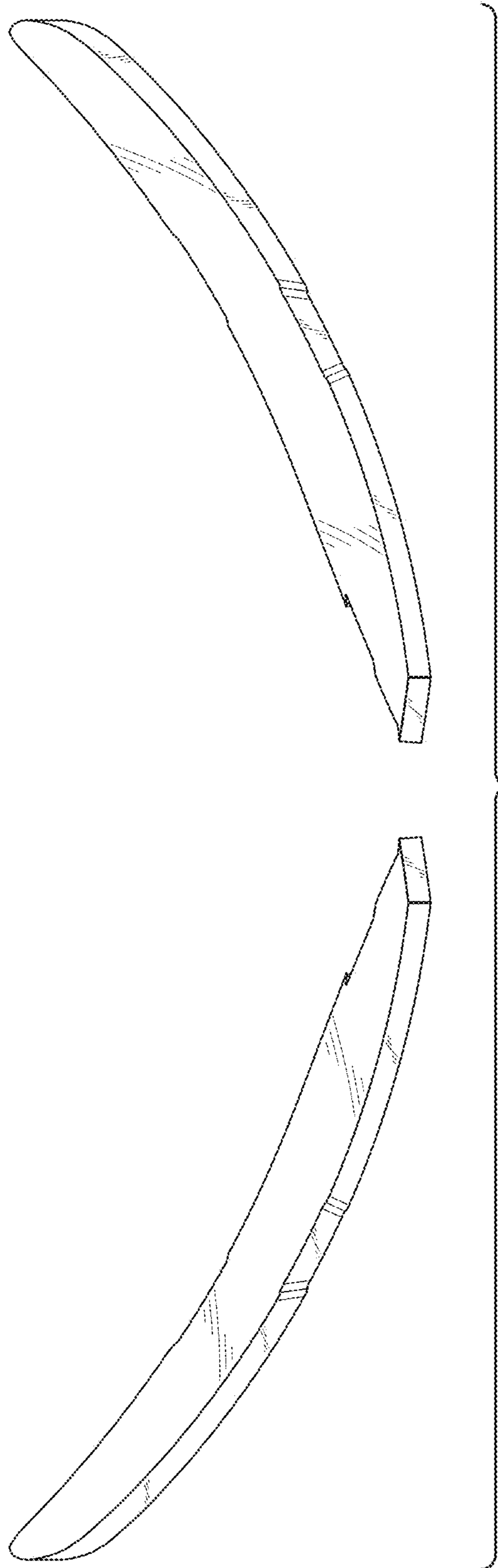


FIG. 6

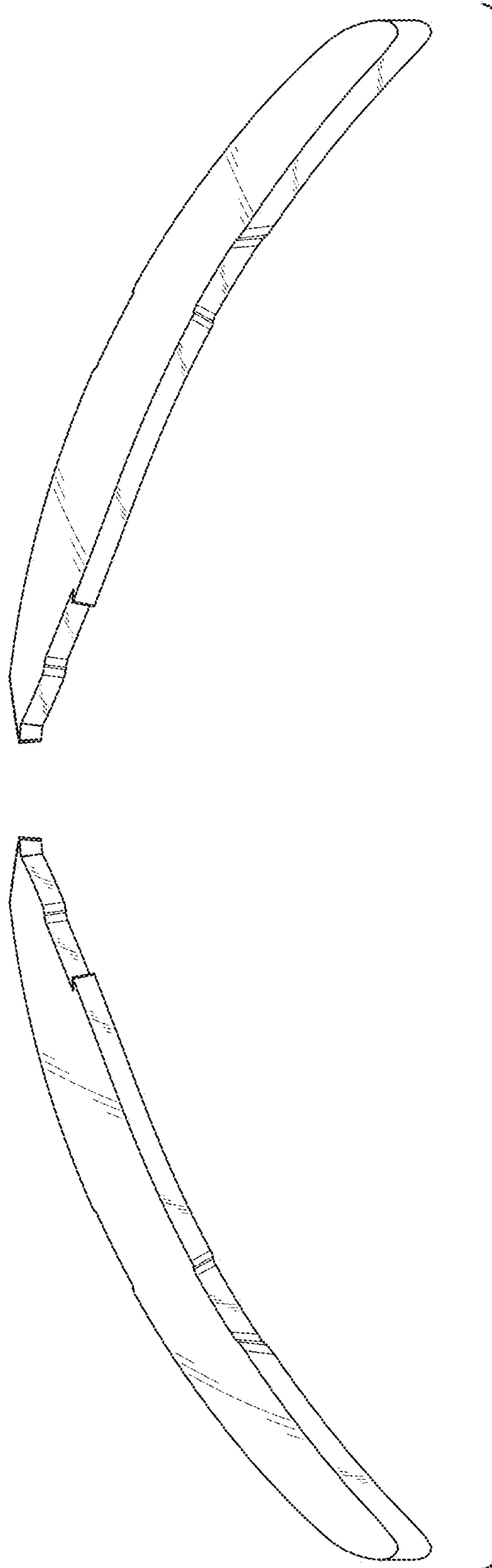


FIG. 7