



US00D977542S

(12) **United States Design Patent** (10) **Patent No.:** **US D977,542 S**
Wang (45) **Date of Patent:** **** Feb. 7, 2023**

(54) **HEAT PRESS MACHINE**

(71) Applicant: **Shenzhen Zeju Network Technology Co., Ltd.**, Shenzhen (CN)

(72) Inventor: **Ciliang Wang**, Shenzhen (CN)

(**) Term: **15 Years**

(21) Appl. No.: **29/859,297**

(22) Filed: **Nov. 9, 2022**

(51) **LOC (14) Cl.** **15-09**

(52) **U.S. Cl.**
USPC **D15/144**; D32/9; D32/70

(58) **Field of Classification Search**
USPC D7/336, 337, 352, 356, 362, 602;
D15/122, 123, 144, 146; D18/50, 53
CPC .. B41F 16/00; B41F 16/0026; B41F 16/0093;
B41F 1/38; B30B 15/047; B30B 15/061;
B30B 15/064; B30B 15/34; B41M 1/40;
B41M 5/035; B44C 1/1712

See application file for complete search history.

(56) **References Cited**

U.S. PATENT DOCUMENTS

D380,068 S *	6/1997	Gudefin	D32/9
D576,771 S *	9/2008	Reiner	D32/9
D893,563 S *	8/2020	Crisp	D15/122
D893,566 S *	8/2020	Chen	D15/122
10,876,250 B2 *	12/2020	Stopp	D06C 15/10
D925,621 S *	7/2021	Crisp	D32/70
D935,494 S *	11/2021	Chen	D32/70
D936,120 S *	11/2021	Minibaev	D15/146
D952,009 S *	5/2022	Ai	D32/70
D965,043 S *	9/2022	Chen	D32/70

OTHER PUBLICATIONS

Cricut, Easy Press 3, (first available Apr. 15, 2022), Amazon.com, URL:<<https://www.amazon.com/Cricut-EasyPress-Bluetooth-Enabled-Sublimation-2009151>> (Year: 2022).*

Legooiin, Heat Press Machine for T-Shirts, (site visited Dec. 8, 2022), Amazon.com, URL:<<https://www.amazon.com/dp/B09NND57QH>> (Year: 2022).*
Htvront, Heat Press Machine for T-Shirts, (first available Aug. 28, 2021), Amazon.com, URL:<<https://www.amazon.com/dp/B09DVQHB45>> (Year: 2021).*
Koonduone, Heat Press Machine 12"x10", (first available Jan. 5, 2022), Amazon.com, URL:<<https://www.amazon.com/Machine-Transfer-T-Shirts-Projects-Silver/dp/B09MCXP4K9>> (Year: 2022).*

* cited by examiner

Primary Examiner — Calvin E Vasant
Assistant Examiner — Mark T. Philipps
(74) *Attorney, Agent, or Firm* — Daniel M. Cohn;
Howard M. Cohn

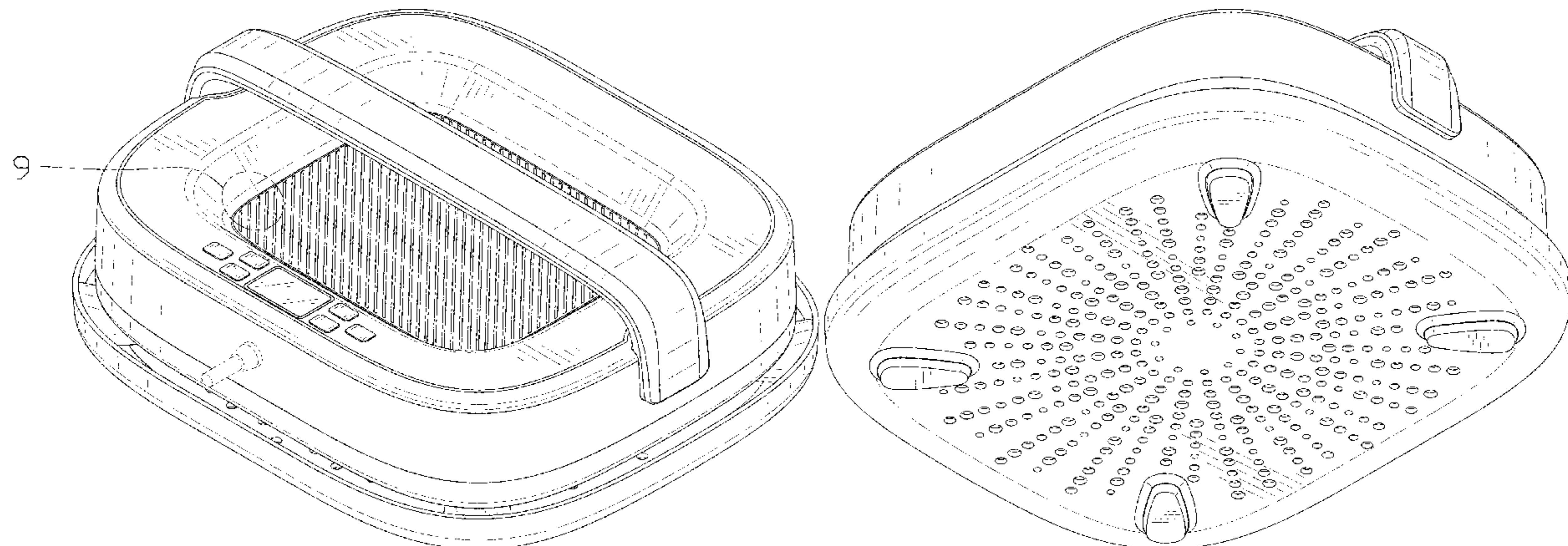
(57) **CLAIM**

The ornamental design for a heat press machine, as shown and described.

DESCRIPTION

FIG. 1 is a perspective view of a heat press machine showing my new design;
FIG. 2 is another perspective view thereof;
FIG. 3 is a front elevational view thereof;
FIG. 4 is a rear elevational view thereof;
FIG. 5 is a left side elevational view thereof;
FIG. 6 is a right side elevational view thereof;
FIG. 7 is a top plan view thereof;
FIG. 8 is a bottom plan view thereof; and,
FIG. 9 is an enlarged view of portion 9 shown in FIG. 1.
The dash-dash broken lines in the drawings depict portions of the heat press machine that form no part of the claimed design. The dot-dash broken lines represent boundaries of the enlarged portions and form no part of the claimed design.

1 Claim, 9 Drawing Sheets



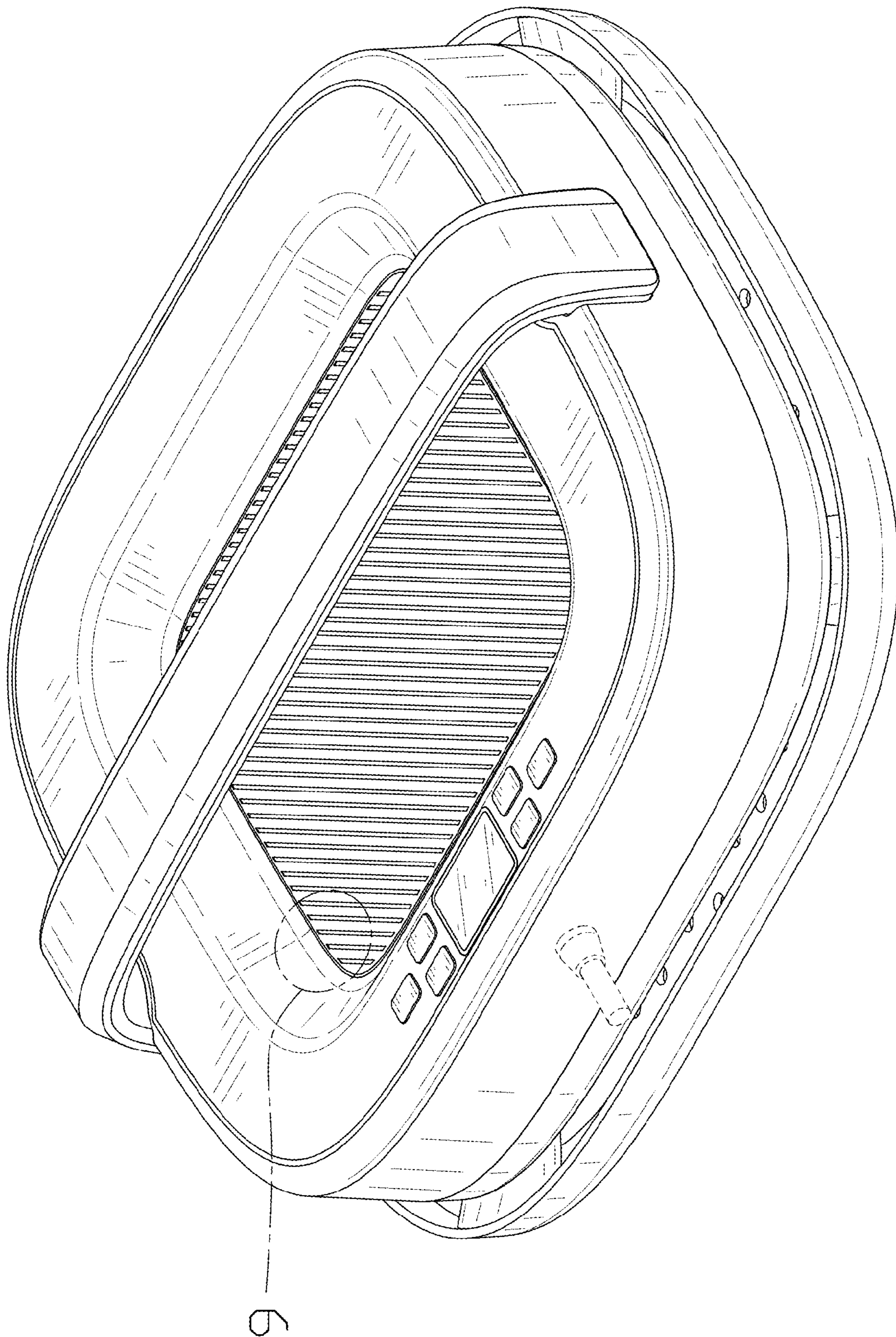


FIG. 1

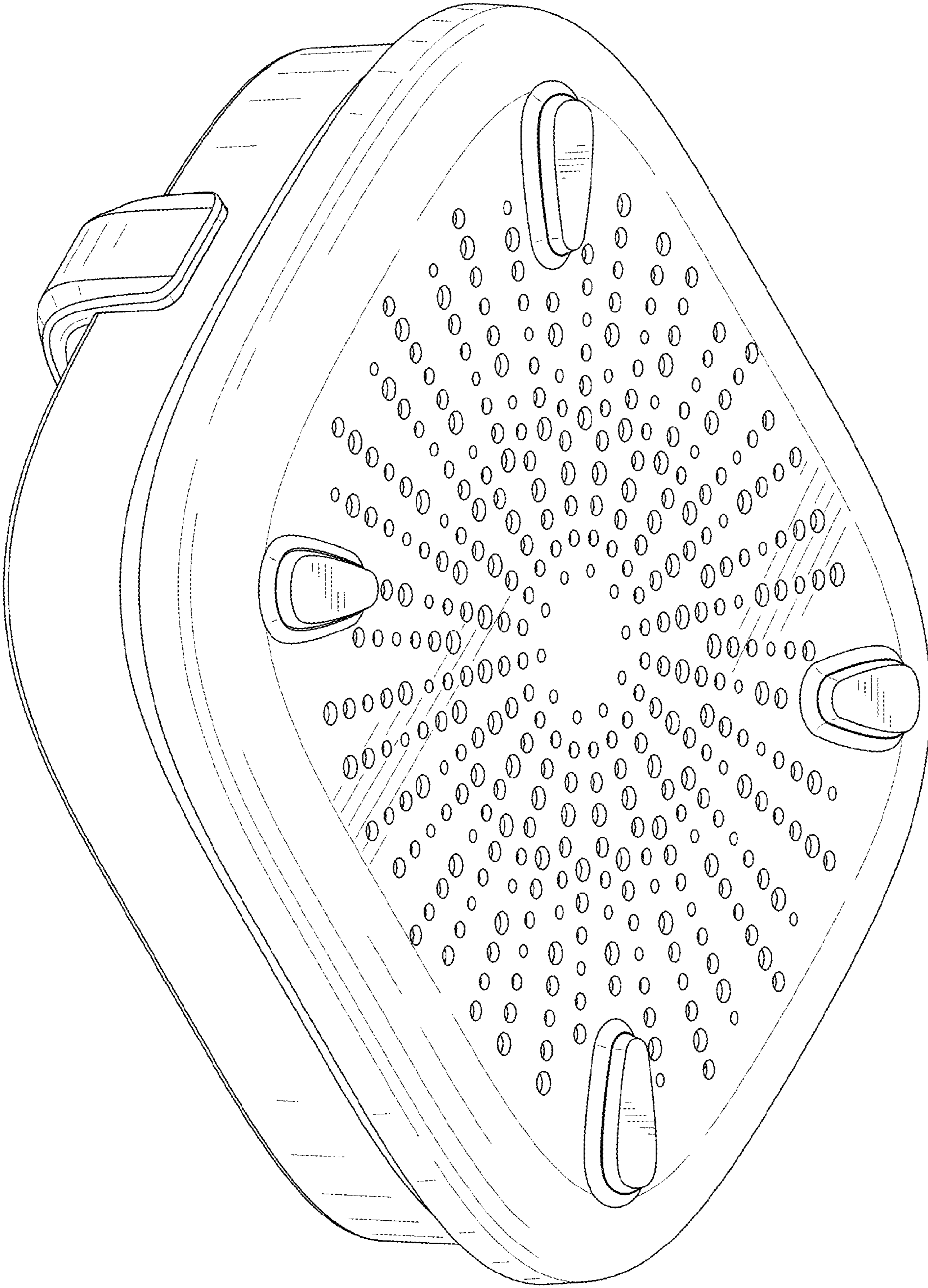


FIG. 2

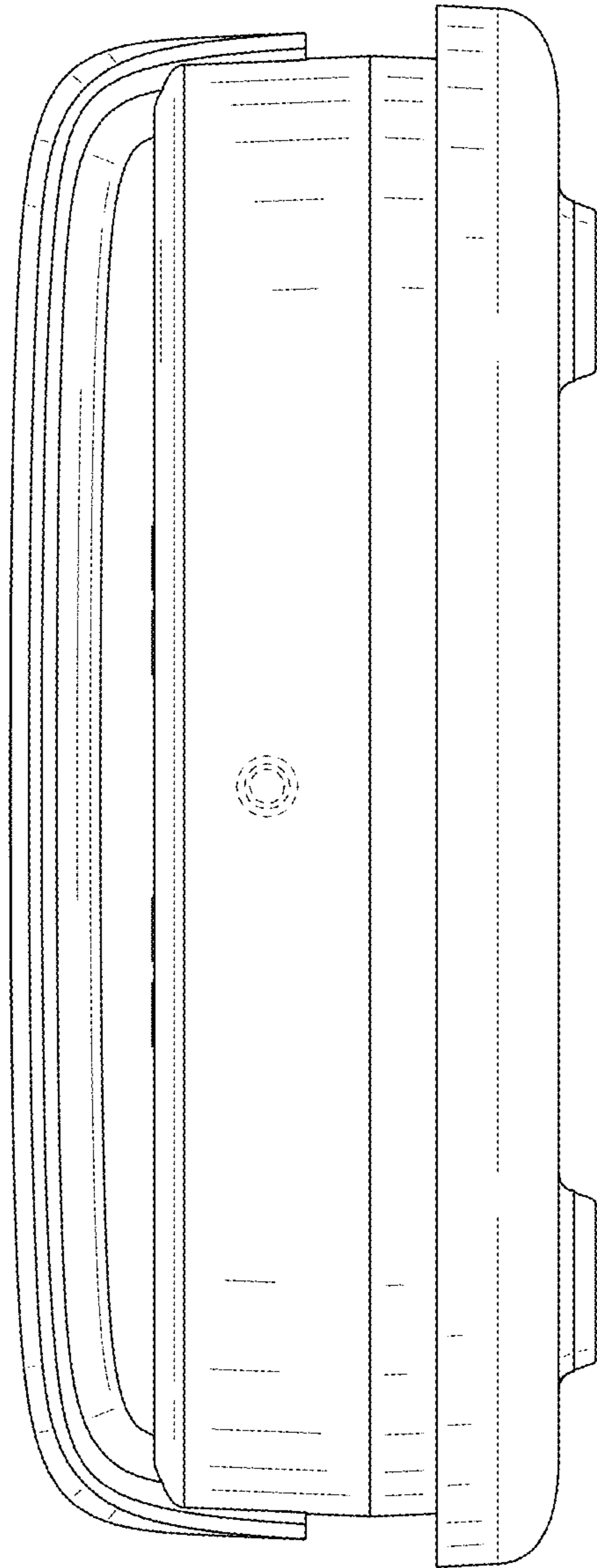


FIG. 3

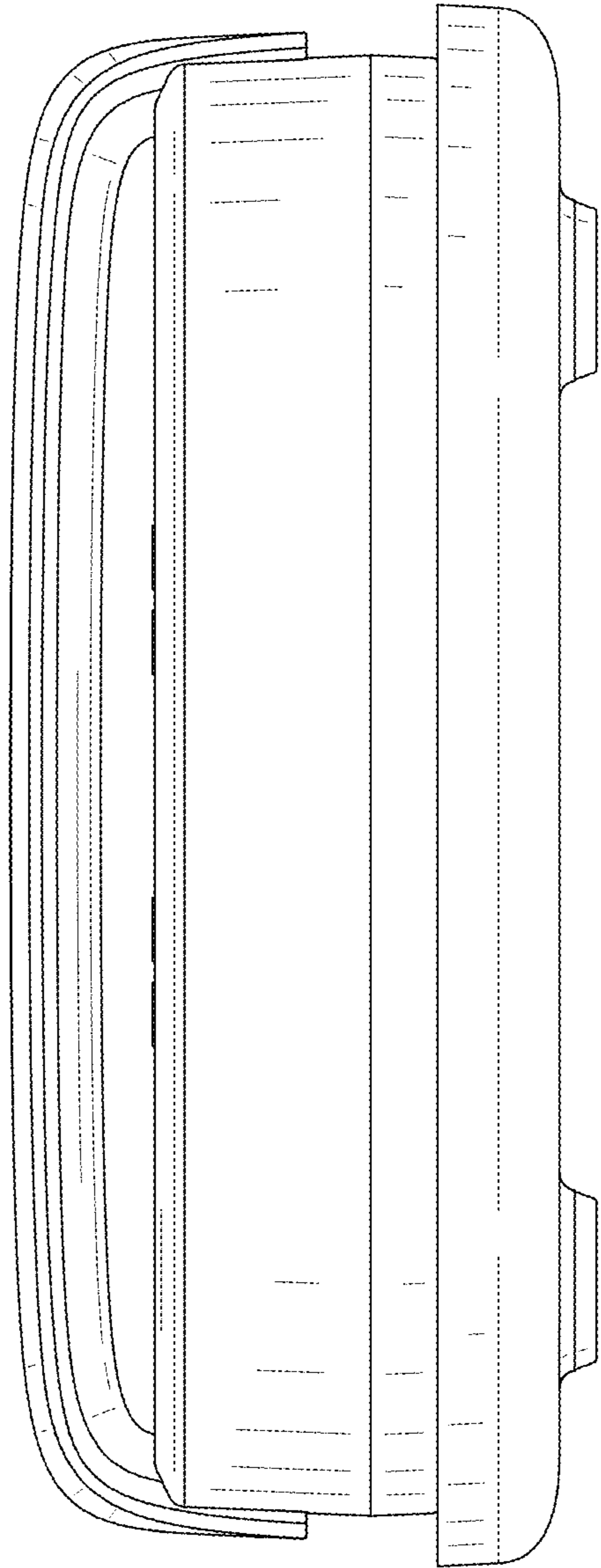


FIG. 4

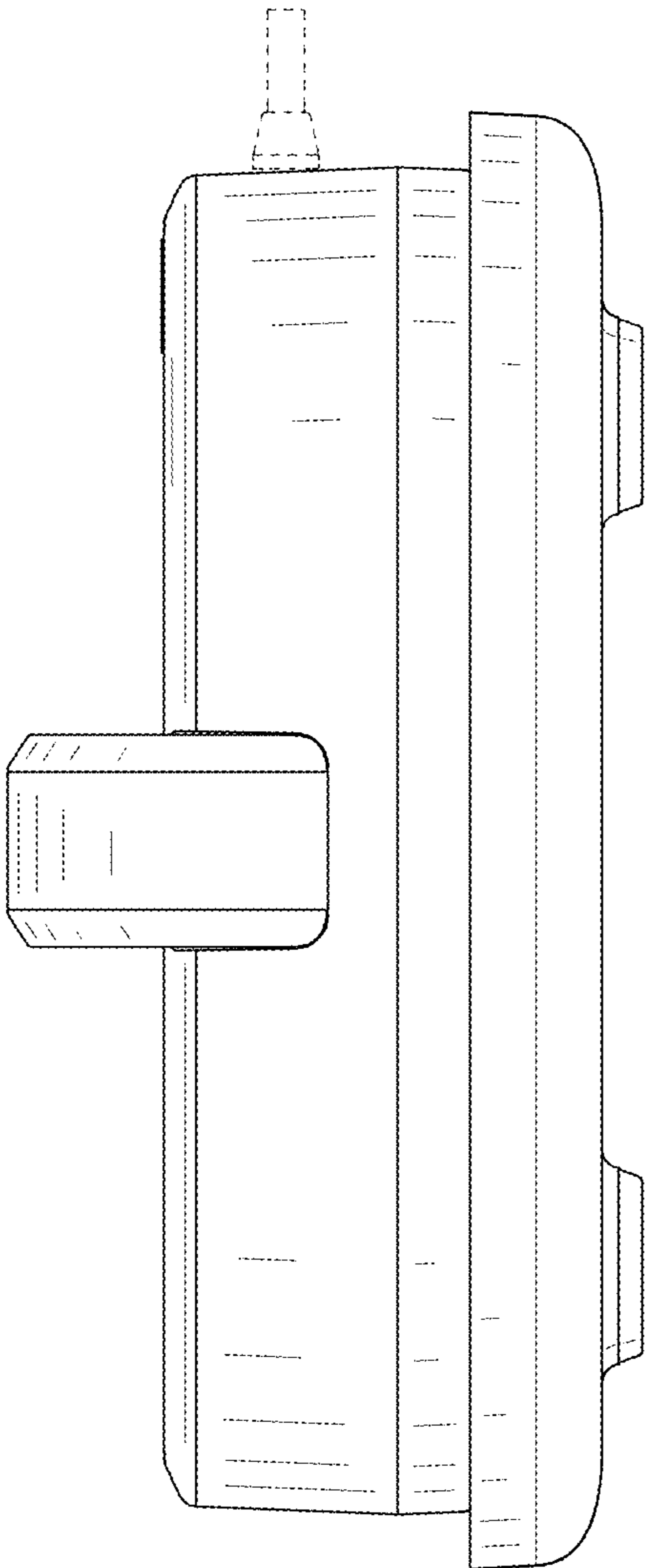


FIG. 5

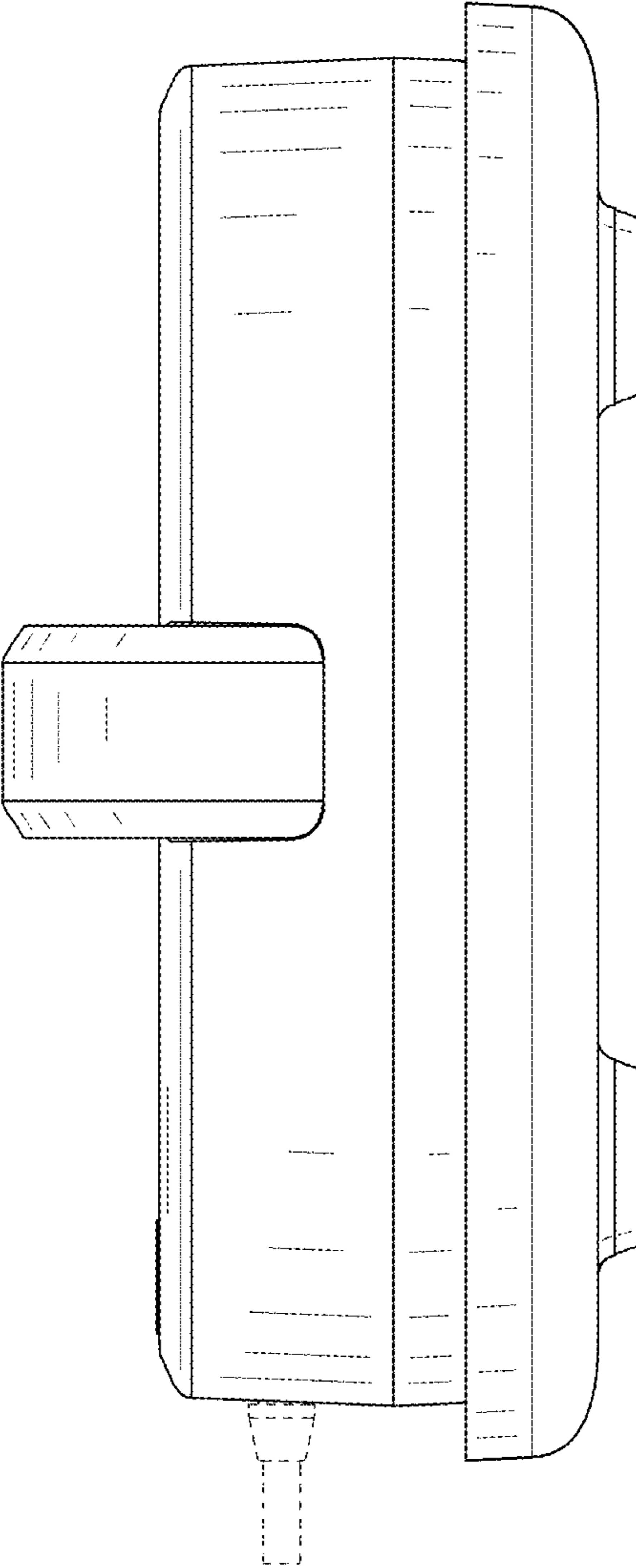


FIG. 6

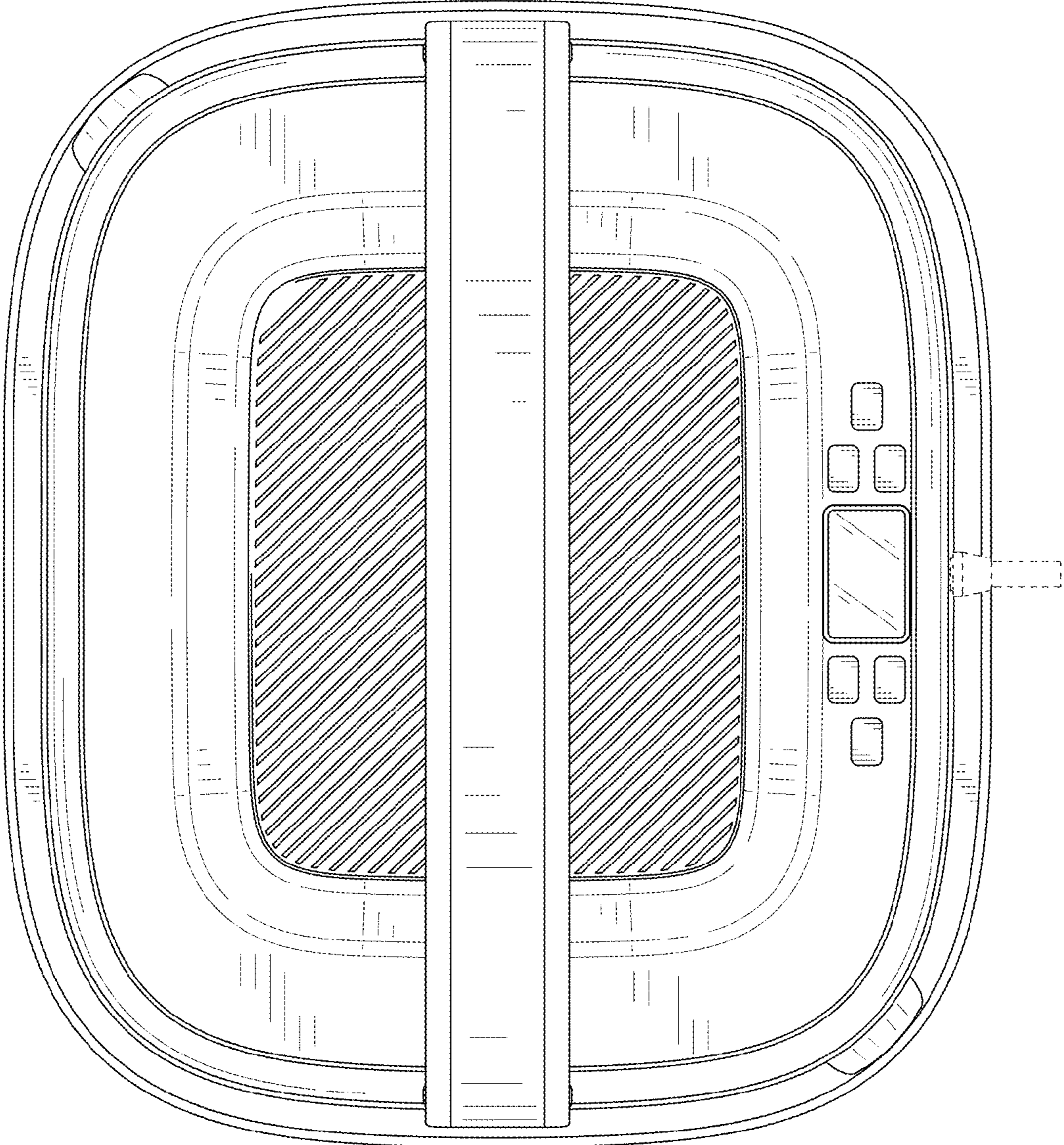


FIG. 7

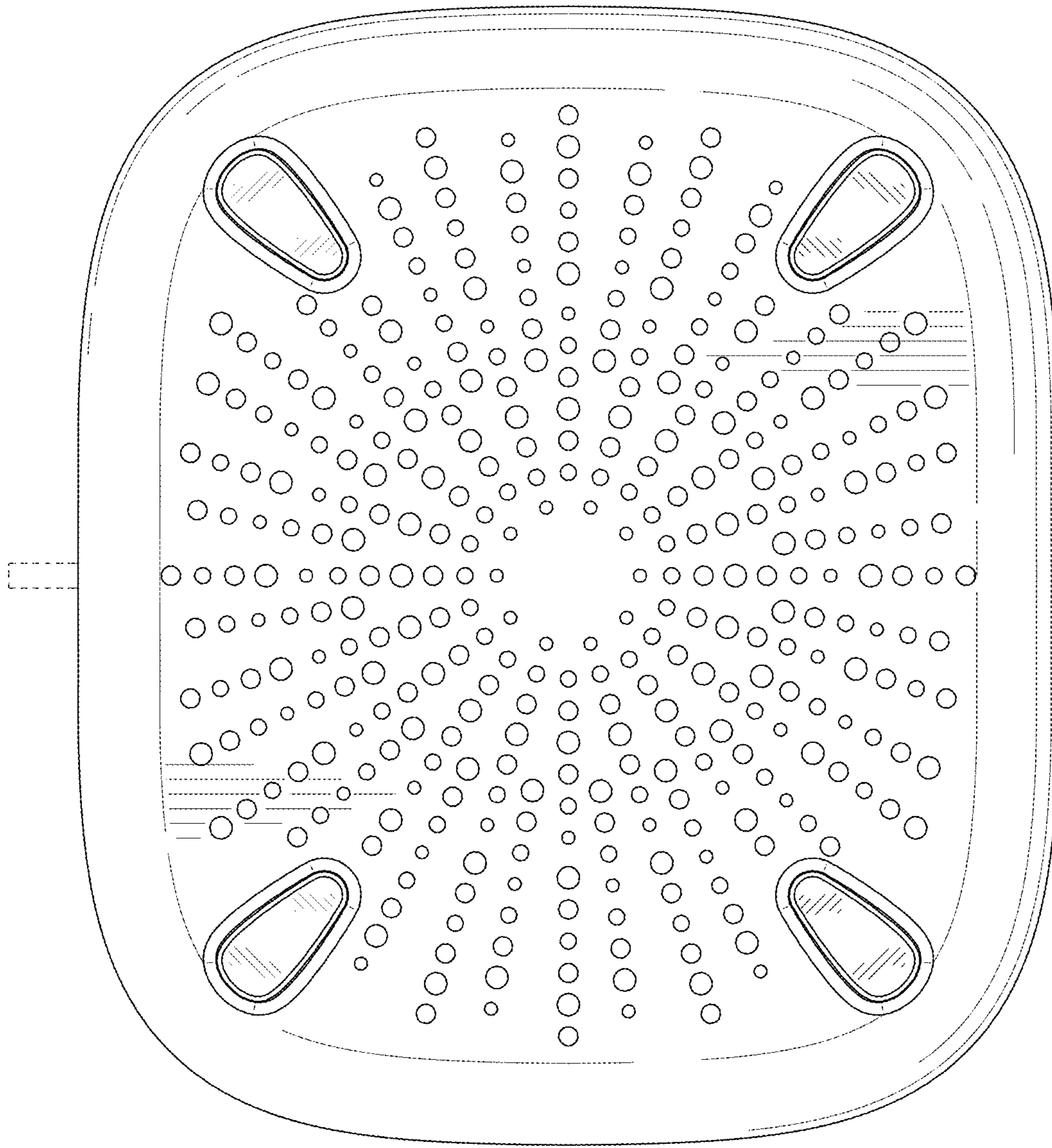


FIG. 8

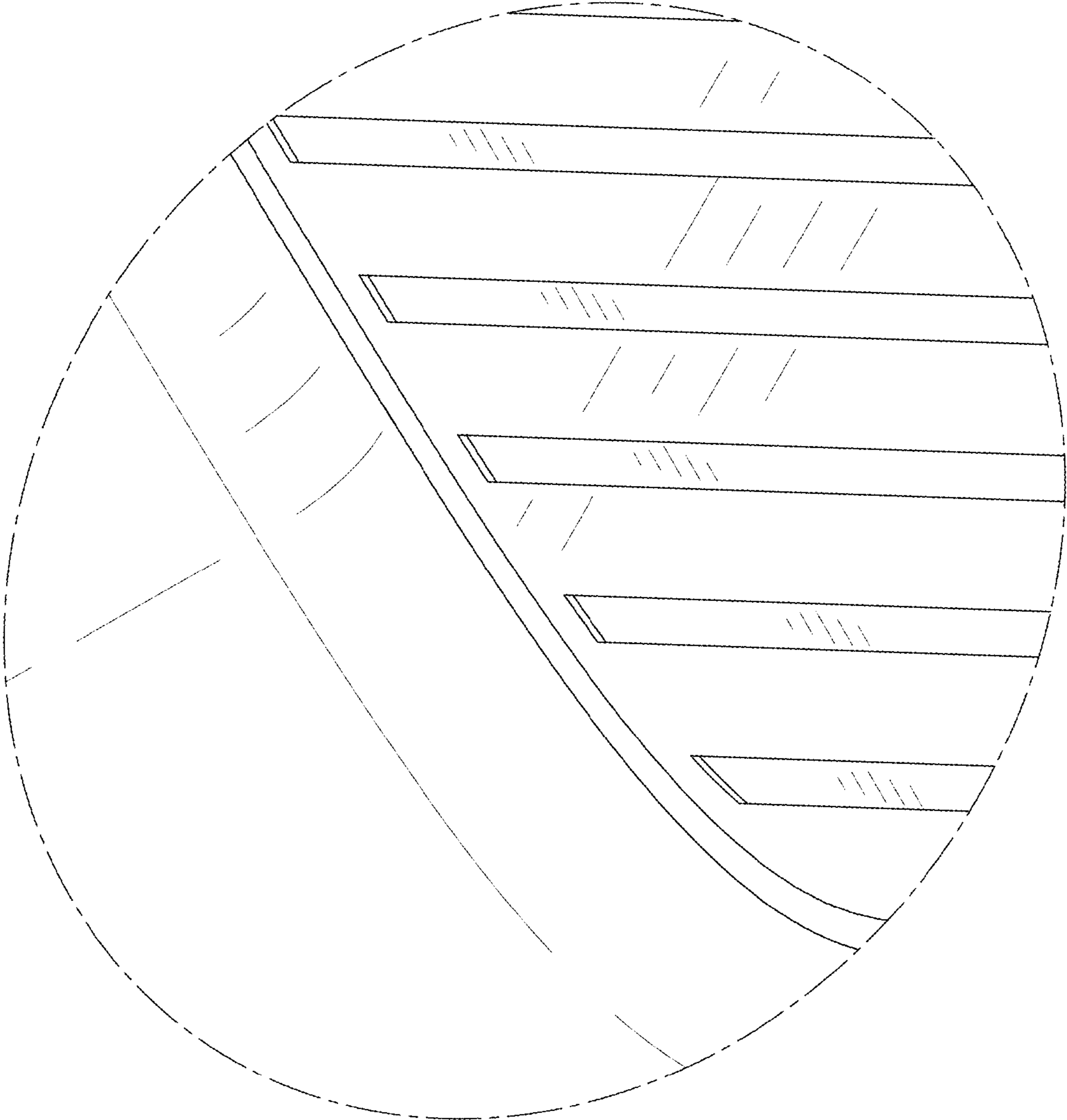


FIG. 9