



US00D977541S

(12) **United States Design Patent** (10) **Patent No.:** **US D977,541 S**
Ueda et al. (45) **Date of Patent:** **** Feb. 7, 2023**

(54) **HOLDER FOR CUTTING TOOL**

(71) Applicant: **DMG MORI CO., LTD.**, Nara (JP)

(72) Inventors: **Toshio Ueda**, Yamatokoriyama (JP);
Masahiro Yamane, Yamatokoriyama (JP); **Tomoyuki Mineshige**, Yamatokoriyama (JP)

(**) Term: **15 Years**

(21) Appl. No.: **35/510,872**

(22) Filed: **May 29, 2020**

(80) **Hague Agreement Data**

Int. Filing Date: **May 29, 2020**

Int. Reg. No.: **DM/208622**

Int. Reg. Date: **May 29, 2020**

Int. Reg. Pub. Date: **Dec. 4, 2020**

(30) **Foreign Application Priority Data**

Nov. 29, 2019 (JP) 2019-026550

(51) **LOC (14) Cl.** **08-03**

(52) **U.S. Cl.**

USPC **D15/140**

CPC **E21C 35/18** (2013.01)

(58) **Field of Classification Search**

USPC D8/70-74; D15/131-140

CPC E21C 35/18; E21C 35/19; E21C 35/1933;
E21C 2035/191

See application file for complete search history.

(56) **References Cited**

U.S. PATENT DOCUMENTS

751,701 A * 2/1904 Tiffany B23B 29/04
407/81

2,485,052 A * 10/1949 Keebler B23B 27/16
407/89

3,157,078 A * 11/1964 Powers B23B 29/04
82/158

D206,955 S * 2/1967 Abrams D15/140

D255,801 S * 7/1980 Treloar D15/139
D263,837 S * 4/1982 Treloar D15/140
D265,563 S * 7/1982 Treloar D15/140
D320,775 S * 10/1991 Johansson D15/140
D326,669 S * 6/1992 Parris D15/140
D390,241 S * 2/1998 Mori D15/140
D471,211 S * 3/2003 Sollami D15/140
D488,170 S * 4/2004 Sollami D15/140
D538,315 S * 3/2007 Bernhardt D15/140
D552,640 S * 10/2007 Bernhardt D15/140
D567,270 S * 4/2008 Chiang D15/140
D638,453 S * 5/2011 Buhr D15/140
D692,037 S * 10/2013 Buhr D15/140
8,622,483 B2 * 1/2014 Sollami B25B 23/0035
D15/140
D715,342 S * 10/2014 Fundakowski D15/140
D898,786 S * 10/2020 Chae D15/126

(Continued)

OTHER PUBLICATIONS

<http://www.handplane.com/143/joh-weiss-sohn-1909-catalog-part-i/> (Year: 1909).*

Joh Weiss & Sohn plane iron and chip breaker (Year: 1909).*

Primary Examiner — Richard E Chilcot

(57) **CLAIM**

The ornamental design for a holder for cutting tool, as shown and described.

DESCRIPTION

1. Holder for cutting tool

1.1 : Perspective

1.2 : Enlarged

1.3 : Front

1.4 : Back

1.5 : Right

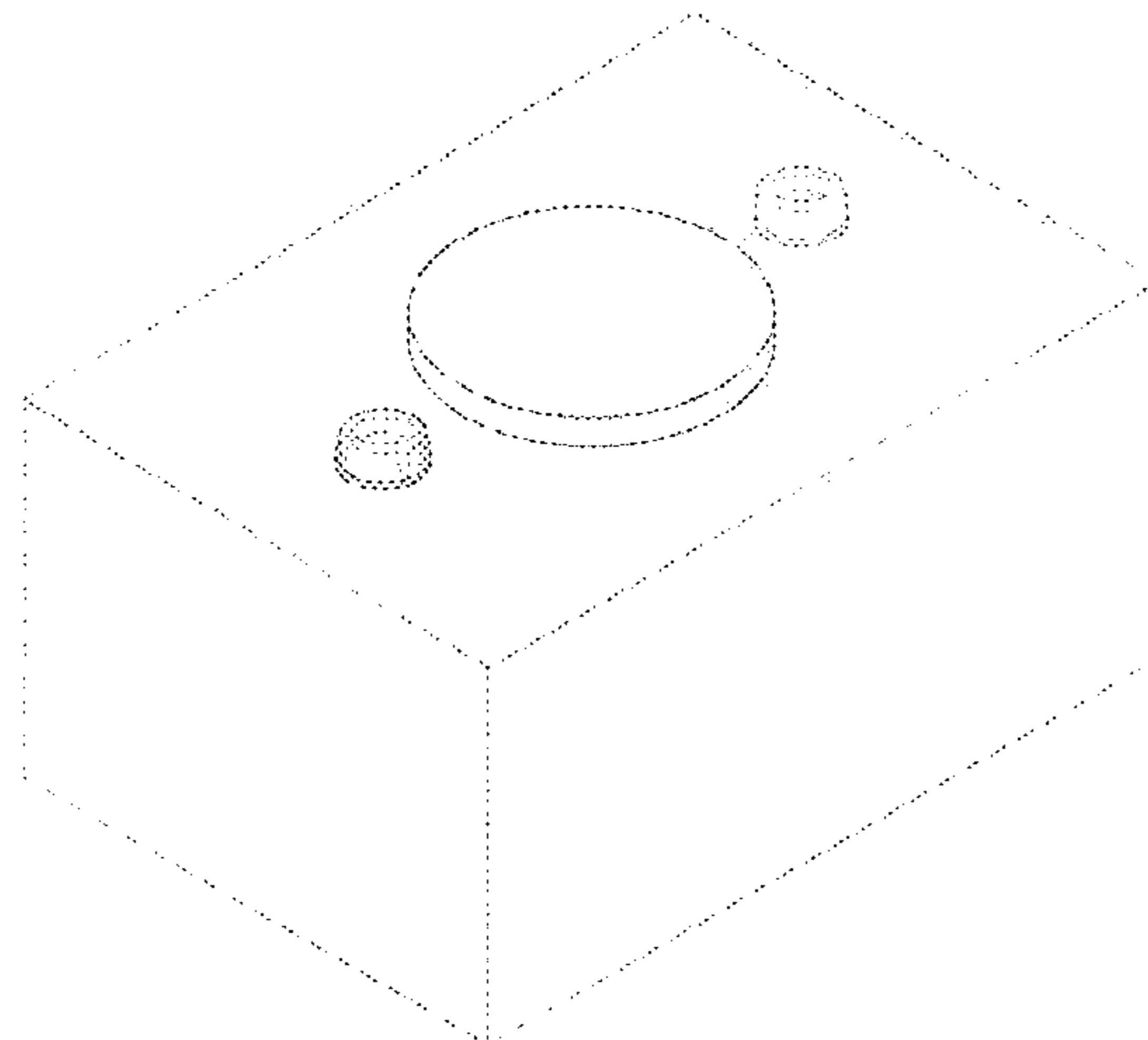
1.6 : Left

1.7 : Top

1.8 : Bottom

The broken lines shown in the drawings represent portions of a holder for cutting tool that form no part of the claimed design.

1 Claim, 8 Drawing Sheets



(56)

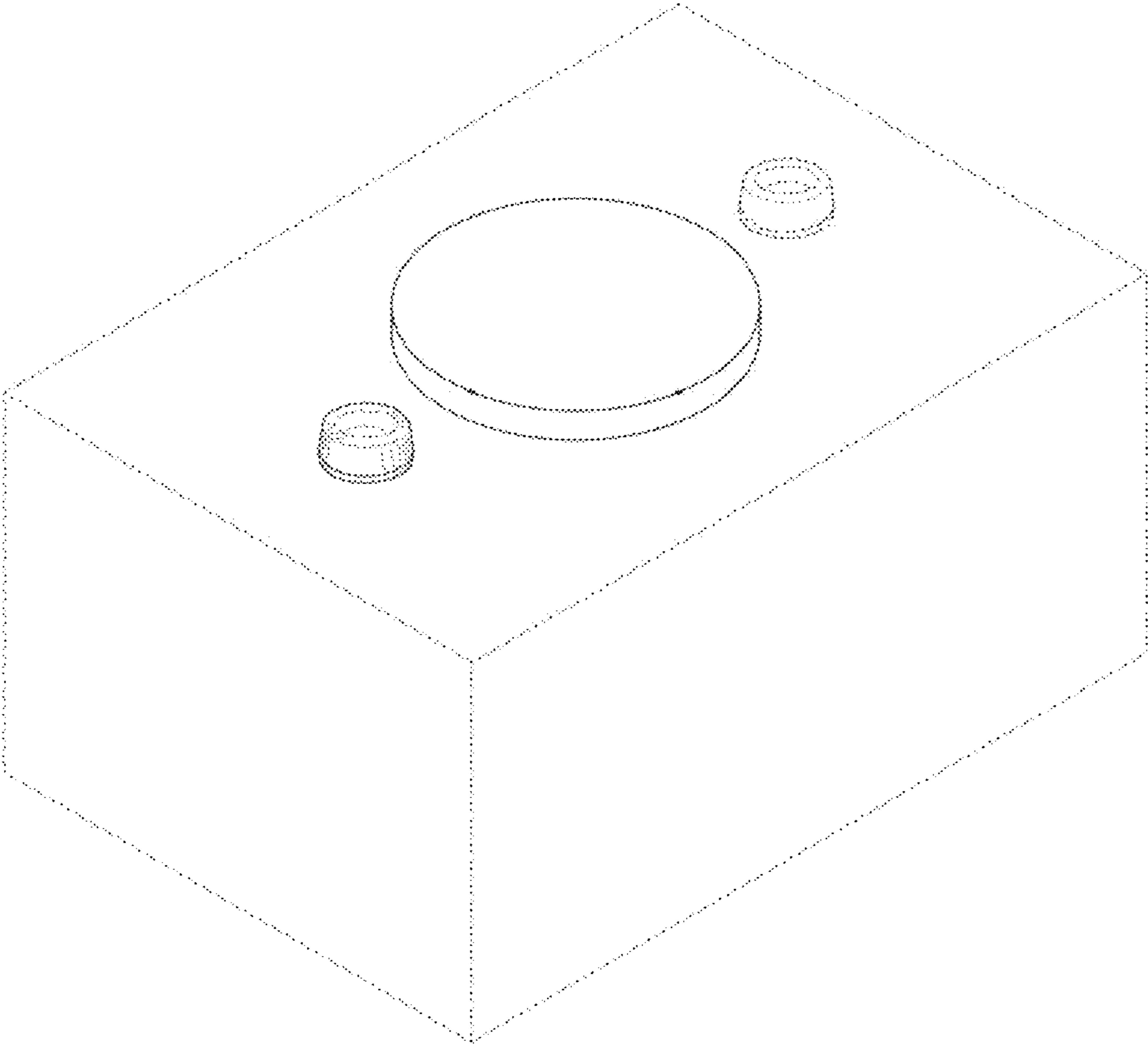
References Cited

U.S. PATENT DOCUMENTS

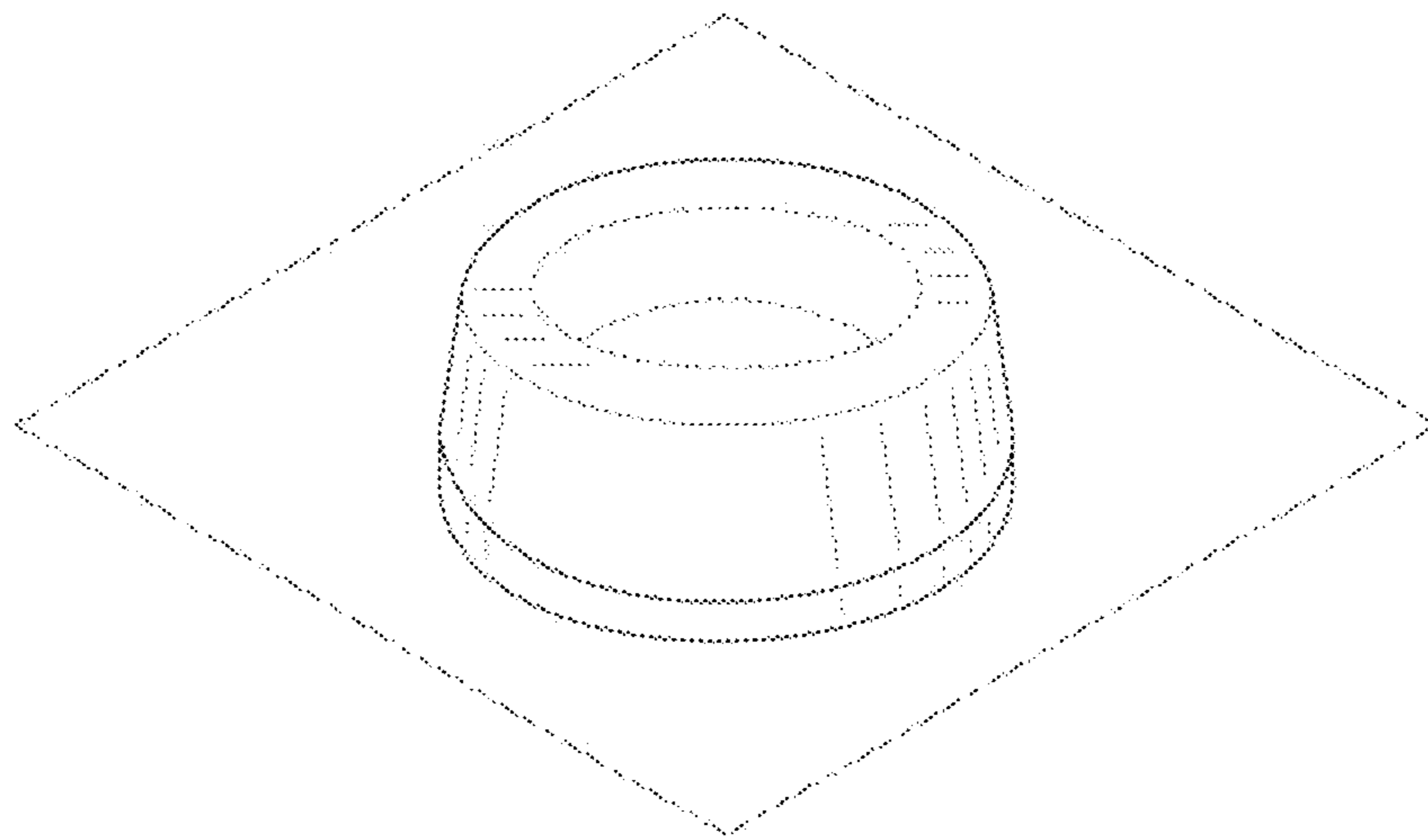
D906,385 S * 12/2020 Buhr D15/140
2015/0231702 A1* 8/2015 Okida B23B 27/12
407/11
2017/0363404 A1* 12/2017 Sato G01B 5/243
2018/0065208 A1* 3/2018 Mori B23Q 3/15513
2019/0118268 A1* 4/2019 Yamane B23B 29/242

* cited by examiner

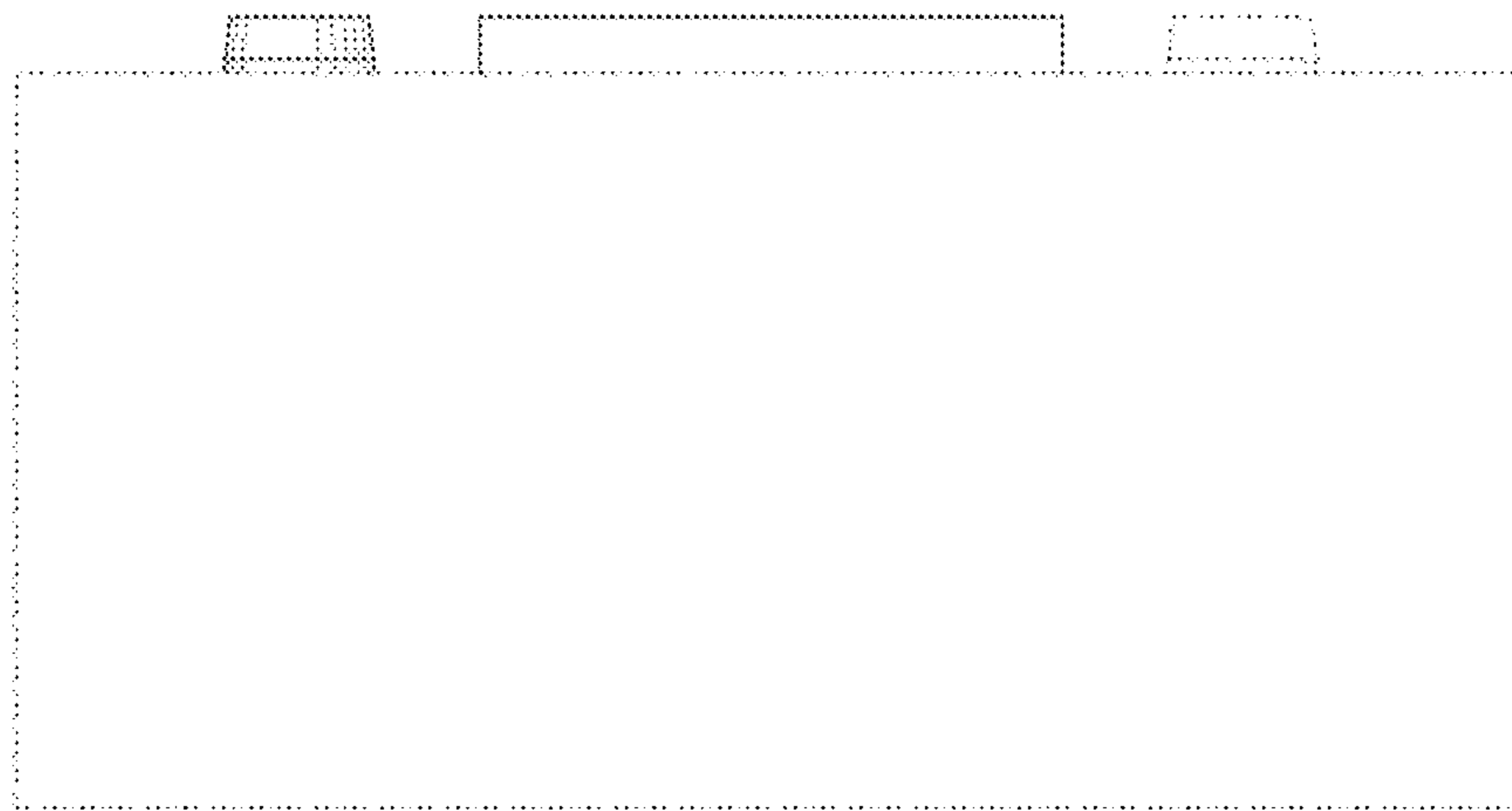
1.1



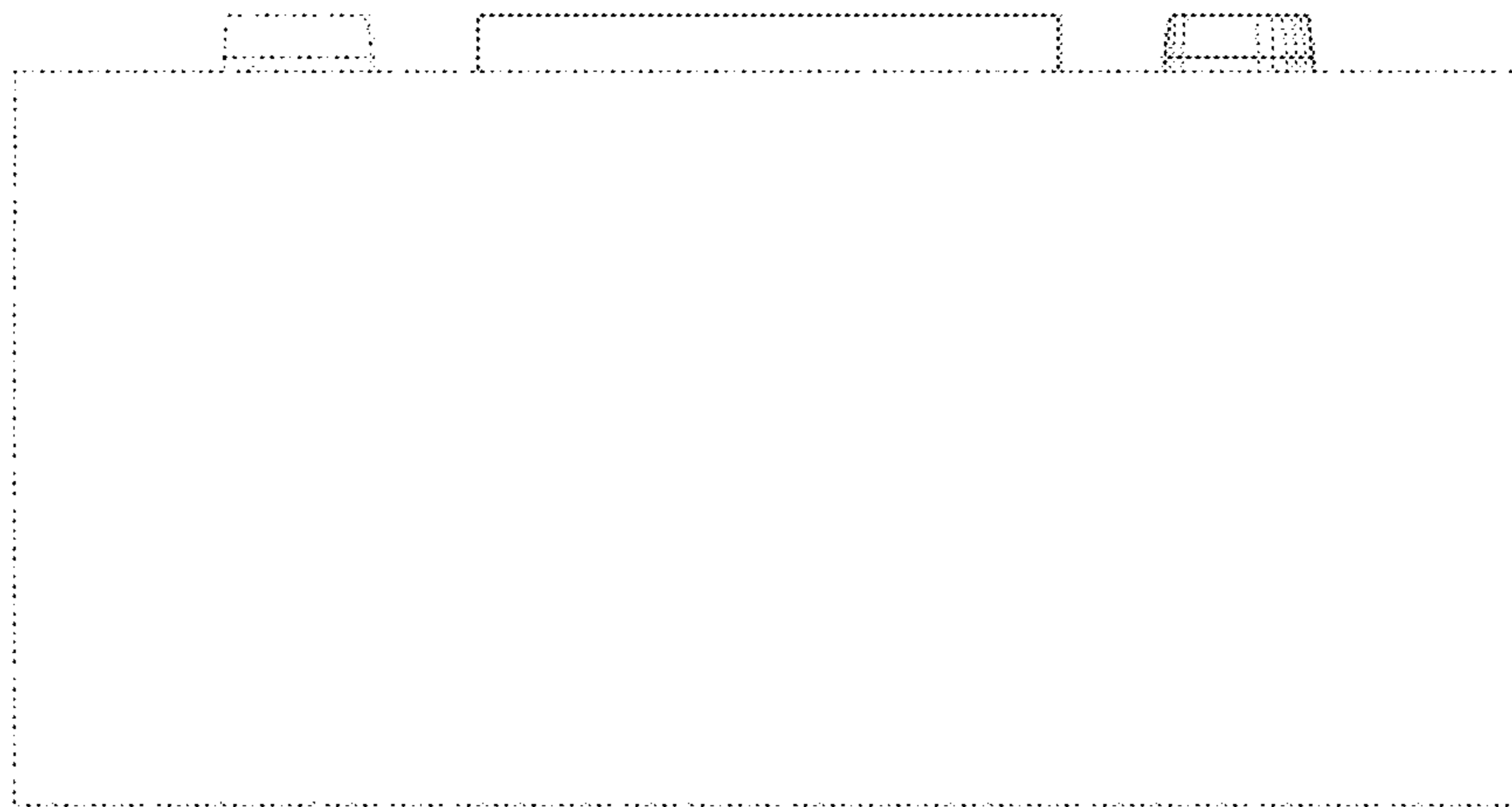
1.2



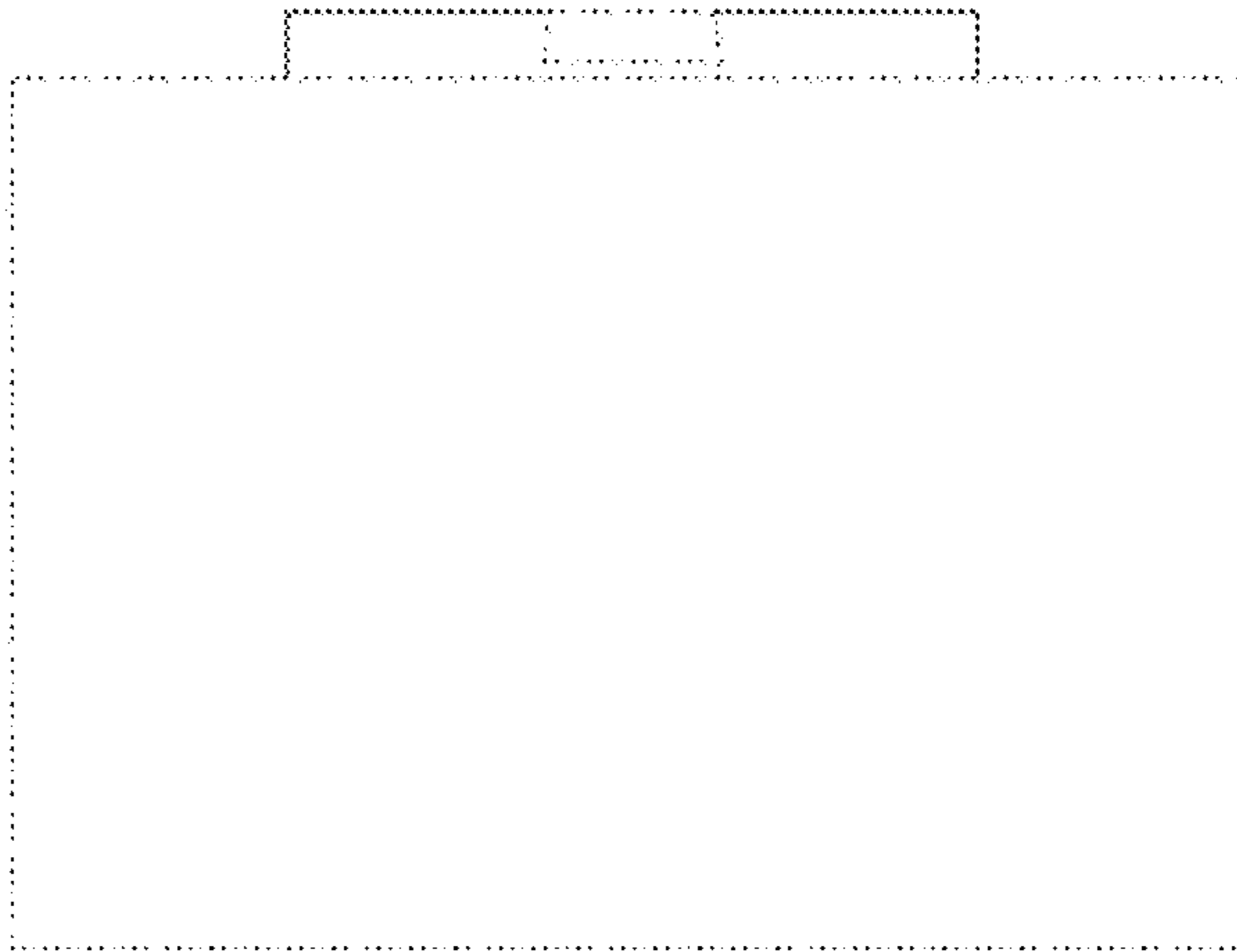
1.3



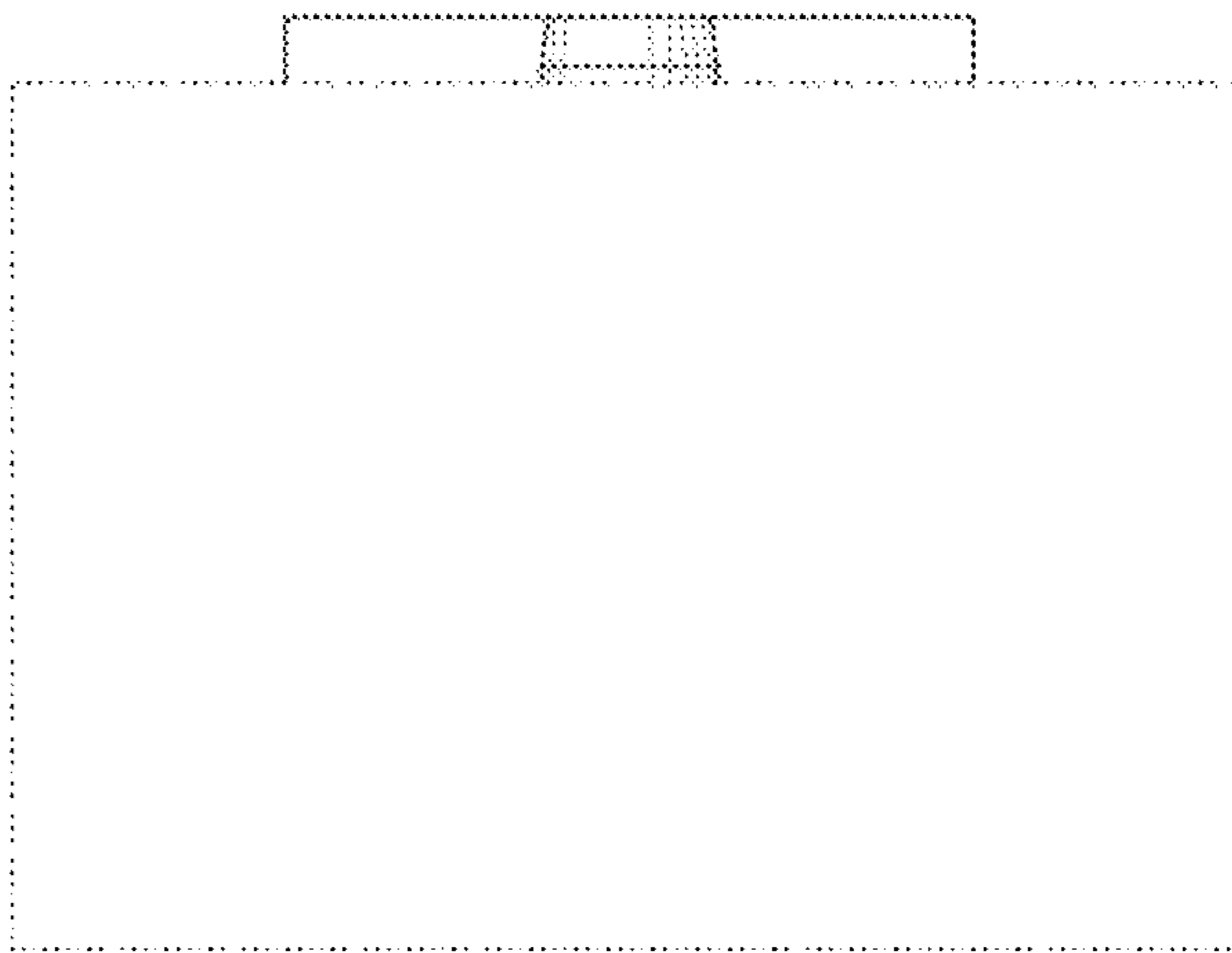
1.4



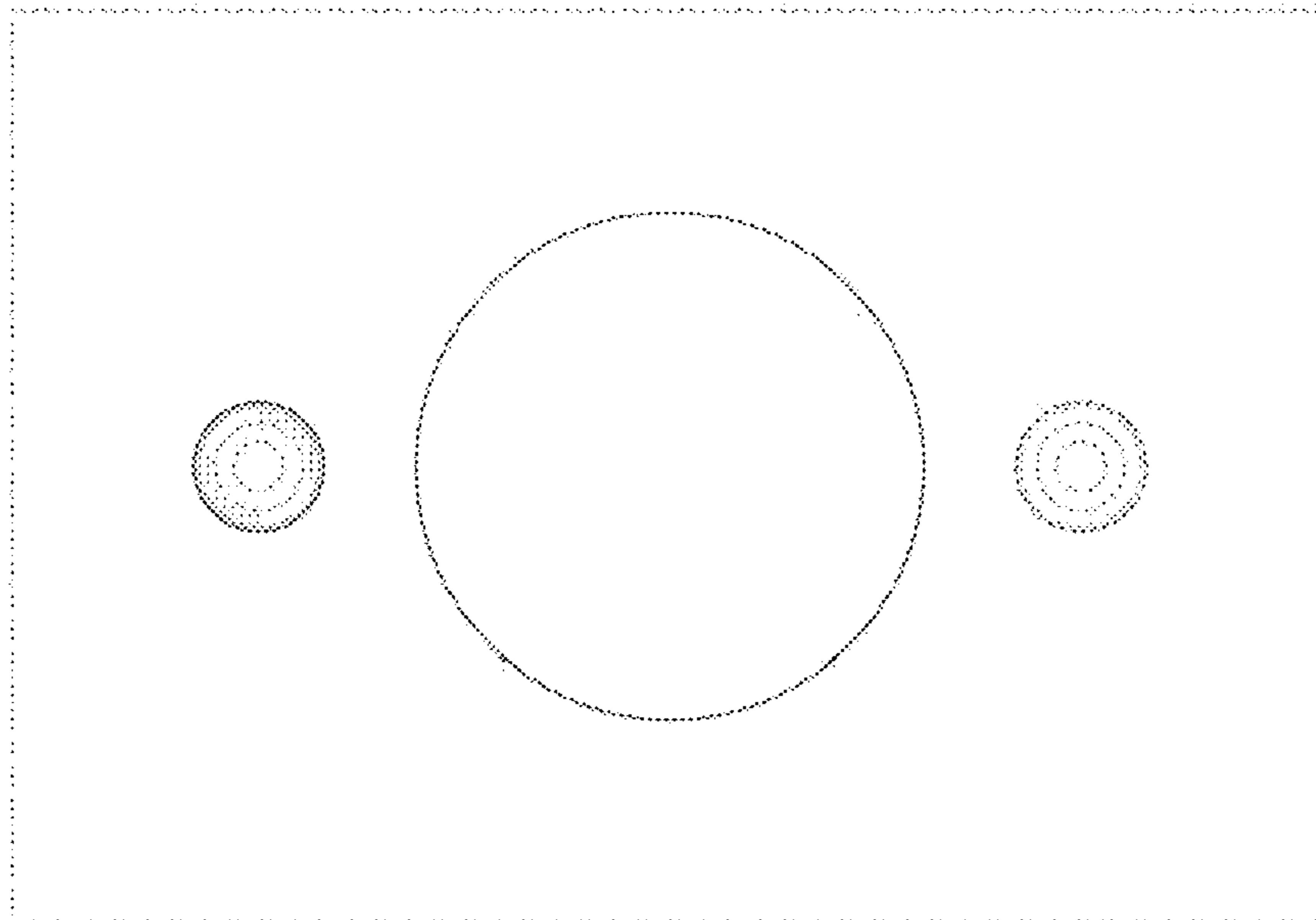
1.5



1.6



1.7



1.8

