



US00D977540S

(12) **United States Design Patent**  
**Nohara et al.**

(10) **Patent No.:** **US D977,540 S**

(45) **Date of Patent:** **\*\* Feb. 7, 2023**

(54) **CUTTING TOOL**

(71) Applicant: **SUMITOMO ELECTRIC  
HARDMETAL CORP.**, Hyogo (JP)

(72) Inventors: **Takuya Nohara**, Hyogo (JP); **Mayuka Segawa**, Hyogo (JP); **Soichiro Kakinoki**, Hyogo (JP); **Yoshinori Tanigawa**, Hyogo (JP); **Gaku Harada**, Hyogo (JP); **Takashi Harada**, Hyogo (JP); **Satoru Kukino**, Hyogo (JP); **Akihiko Ueda**, Hyogo (JP)

(73) Assignee: **SUMITOMO ELECTRIC  
HARDMETAL CORP.**, Hyogo (JP)

(\*\*) Term: **15 Years**

(21) Appl. No.: **29/796,251**

(22) Filed: **Jun. 23, 2021**

(30) **Foreign Application Priority Data**

Dec. 25, 2020 (JP) ..... 2020-028221 D

(51) **LOC (14) Cl.** ..... **15-09**

(52) **U.S. Cl.**  
USPC ..... **D15/139**

(58) **Field of Classification Search**  
USPC ..... D15/131, 132, 138, 139; D8/20, 70, 86  
CPC ... B23B 51/0081; B23B 51/009; B23B 51/02;  
B23B 35/00; B27G 15/00  
See application file for complete search history.

(56) **References Cited**

U.S. PATENT DOCUMENTS

D579,470 S \* 10/2008 Maeta ..... D15/139  
D595,322 S \* 6/2009 Sakata ..... D15/139  
D595,323 S \* 6/2009 Sakata ..... D15/139  
D595,751 S \* 7/2009 Sakata ..... D15/139  
D633,535 S \* 3/2011 Tanaka ..... D15/139

D744,557 S \* 12/2015 Koike ..... D15/139  
D848,495 S \* 5/2019 Maeno ..... D15/139  
D848,496 S \* 5/2019 Maeta ..... D15/139  
D850,503 S \* 6/2019 Kukino ..... D15/139  
D854,063 S \* 7/2019 Abe ..... D15/139  
D857,070 S \* 8/2019 Maeno ..... D15/139  
D861,754 S \* 10/2019 Fukuyama ..... D15/139  
D879,848 S \* 3/2020 Kinoshita ..... D15/139  
D890,827 S \* 7/2020 Maeno ..... D15/139  
D891,490 S \* 7/2020 Maeno ..... D15/139  
D902,268 S \* 11/2020 Sueyoshi ..... D15/139  
10,875,106 B2 \* 12/2020 Tsujimoto ..... B23C 5/06  
D909,437 S \* 2/2021 Sorai ..... D15/139

(Continued)

*Primary Examiner* — Michael C Stout

*Assistant Examiner* — Fritzgerald L Butac

(74) *Attorney, Agent, or Firm* — Renner, Otto, Boisselle & Sklar, LLP

(57) **CLAIM**

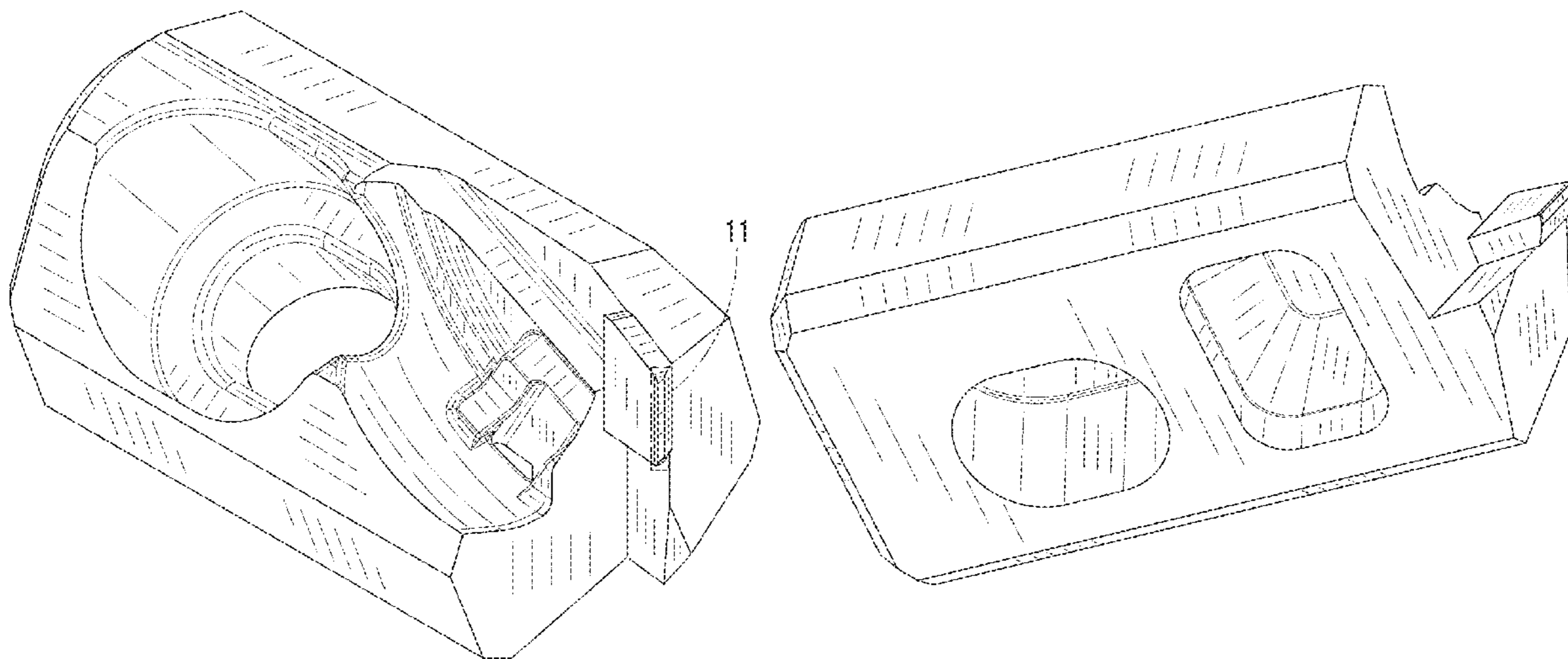
The ornamental design for a cutting tool, as shown and described.

**DESCRIPTION**

FIG. 1 is a front view of a cutting tool in accordance with an embodiment of the present design;  
FIG. 2 is a rear view thereof;  
FIG. 3 is a right side view thereof;  
FIG. 4 is a left side view thereof;  
FIG. 5 is a top view thereof;  
FIG. 6 is a bottom view thereof;  
FIG. 7 is a first perspective view thereof;  
FIG. 8 is a second perspective view thereof;  
FIG. 9 is an enlarged view of portion 9 of FIG. 3;  
FIG. 10 is an enlarged view of portion 10 of FIG. 5;  
FIG. 11 is an enlarged view of portion 11 of FIG. 7; and,  
FIG. 12 is a cross sectional view taken along line 12-12 of FIG. 6.

The broken lines shown in FIG. 12 represent portions of the cutting tool that form no part of the claimed design.

**1 Claim, 6 Drawing Sheets**



(56)

**References Cited**

U.S. PATENT DOCUMENTS

D910,093 S \* 2/2021 Abe ..... D15/139  
D910,094 S \* 2/2021 Zeiner ..... D15/138  
D910,095 S \* 2/2021 Wen ..... D15/139

\* cited by examiner

FIG.1

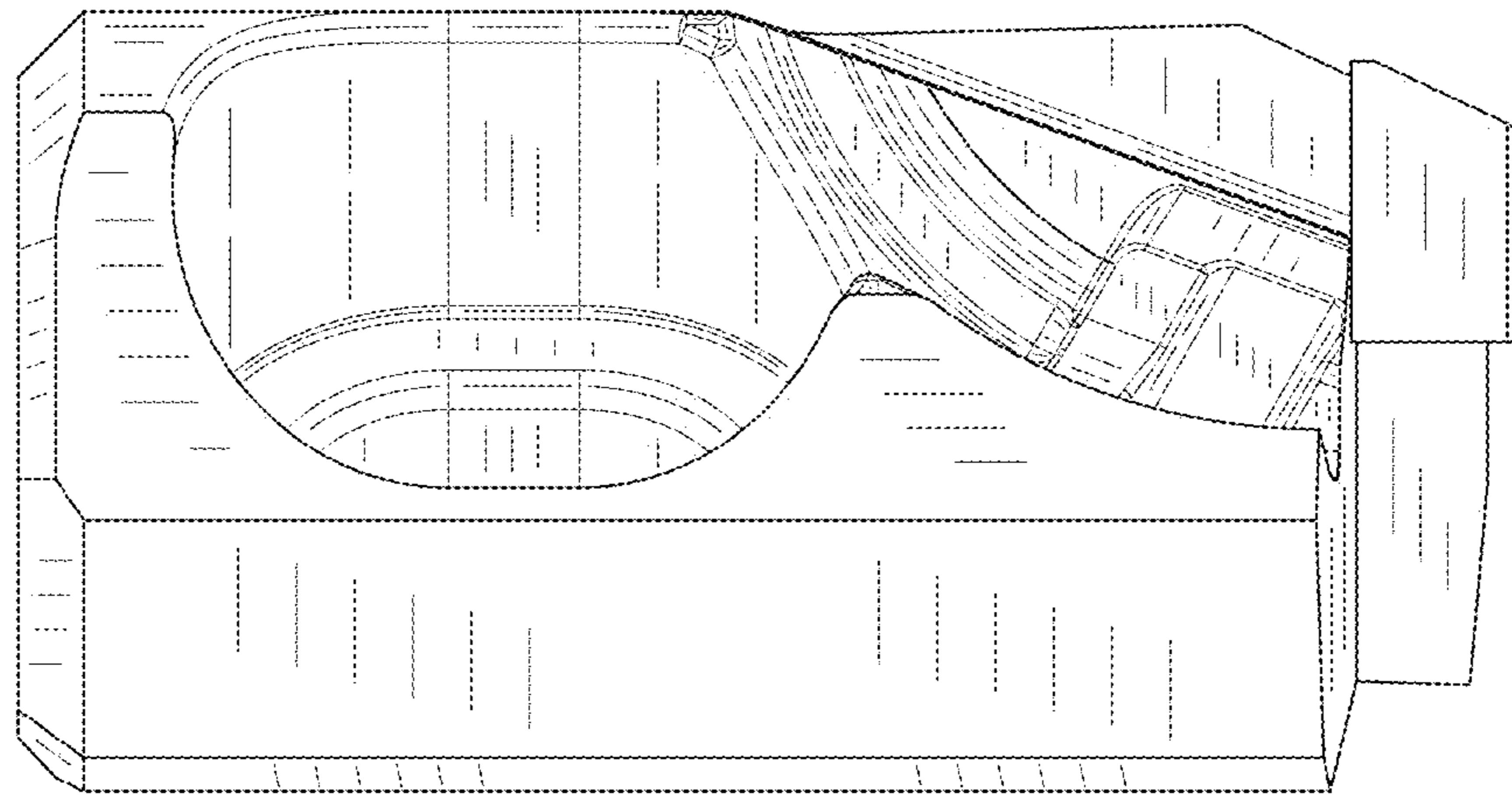


FIG.2

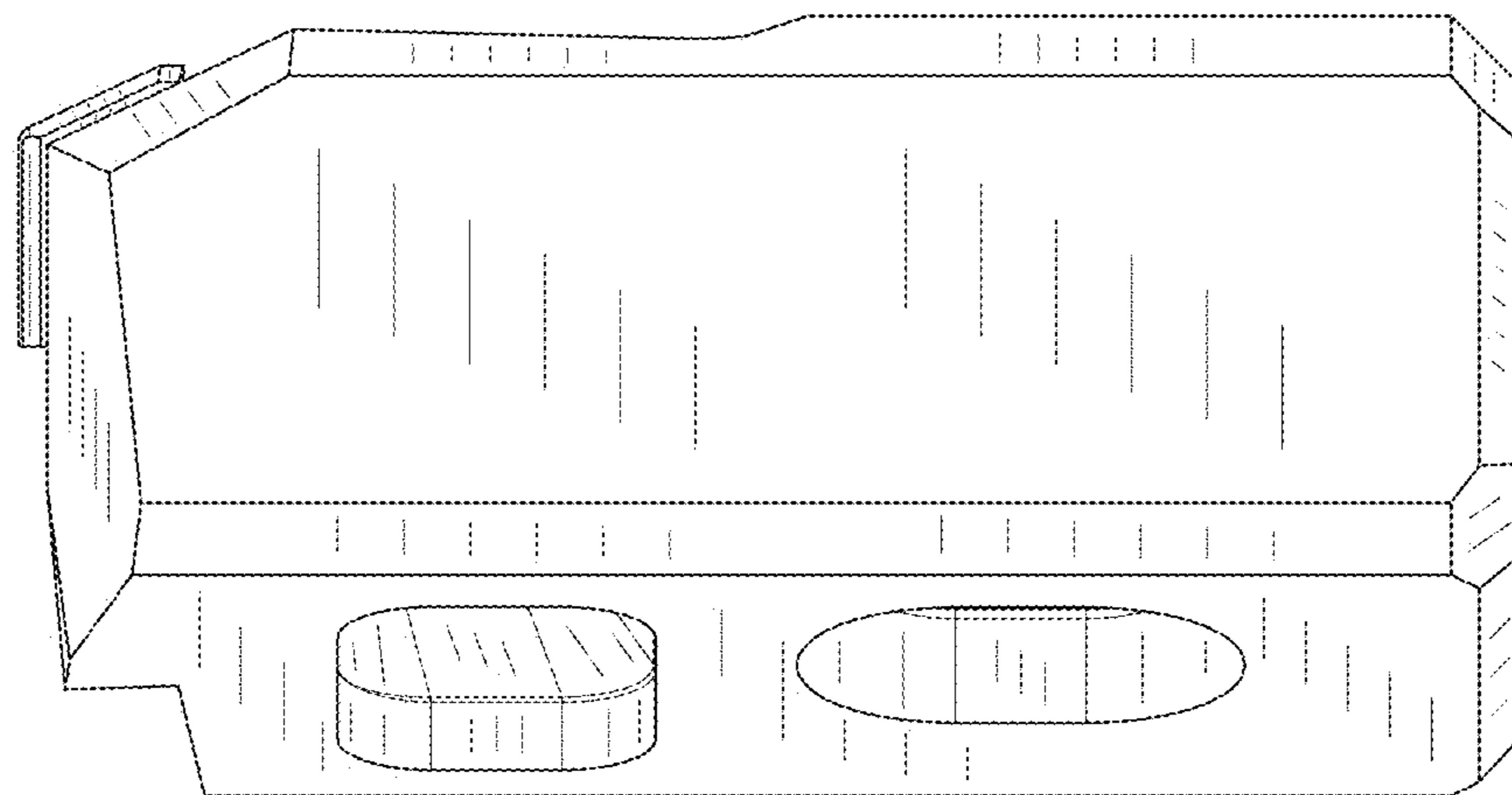


FIG.3

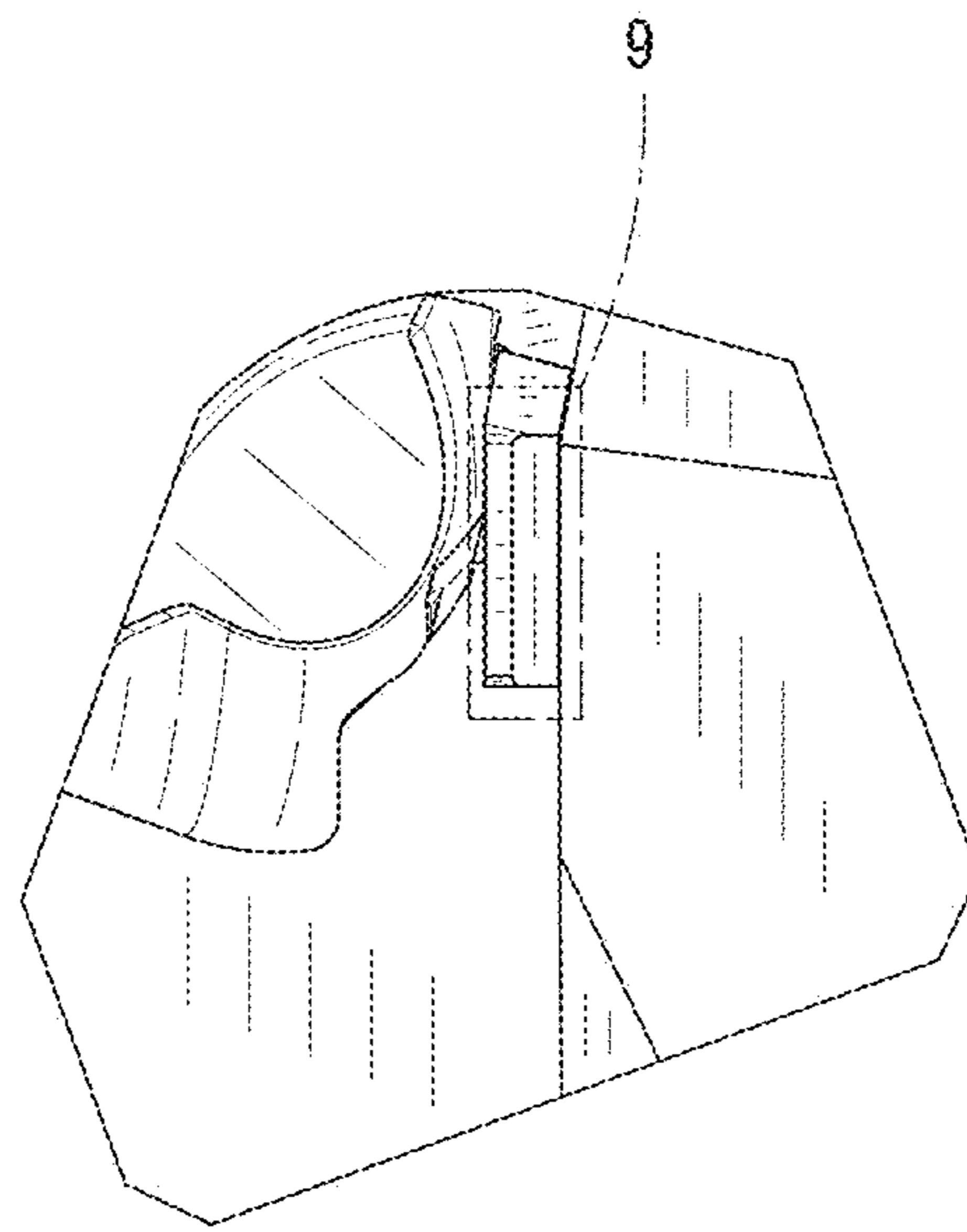


FIG.4

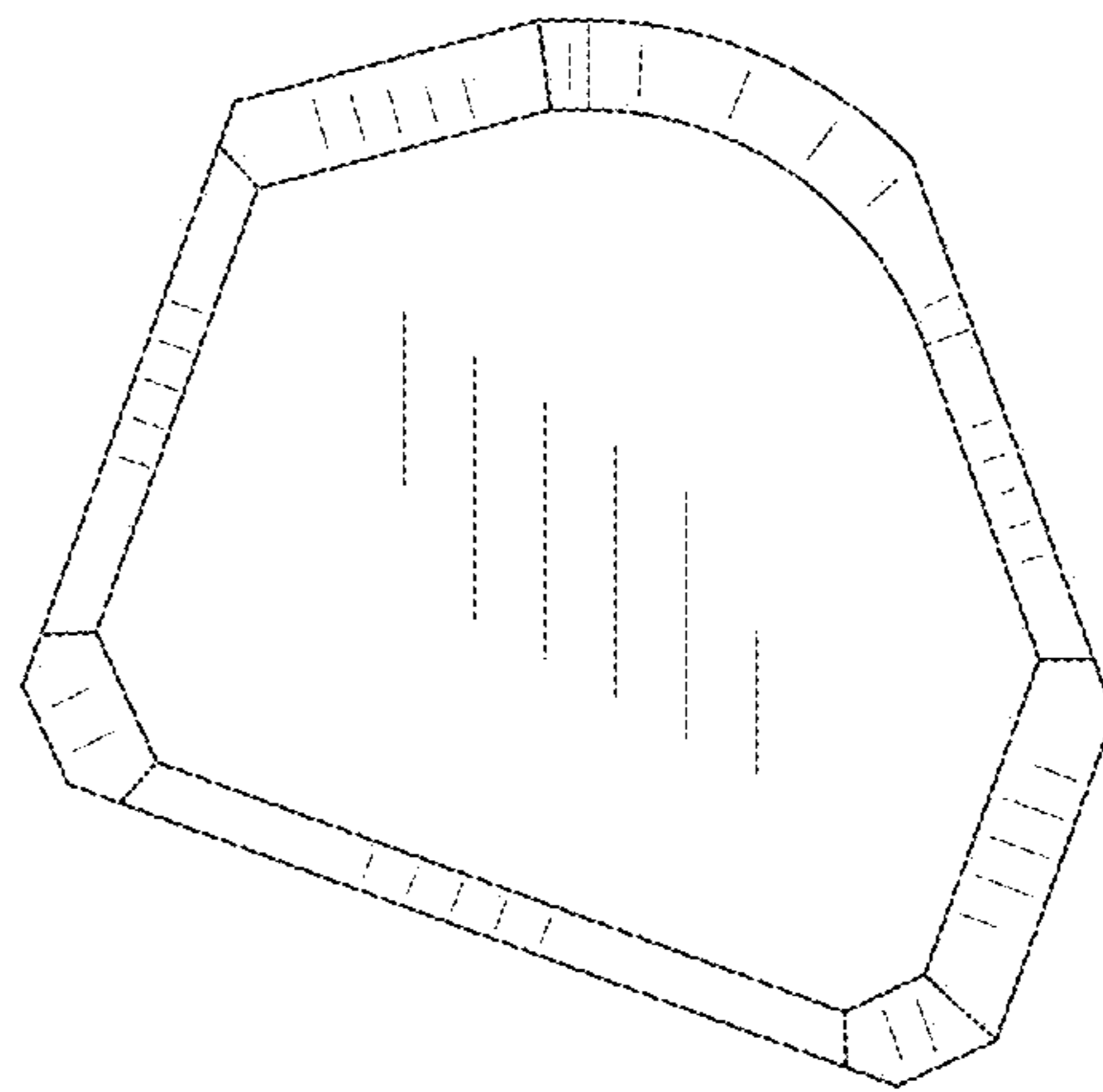


FIG.5

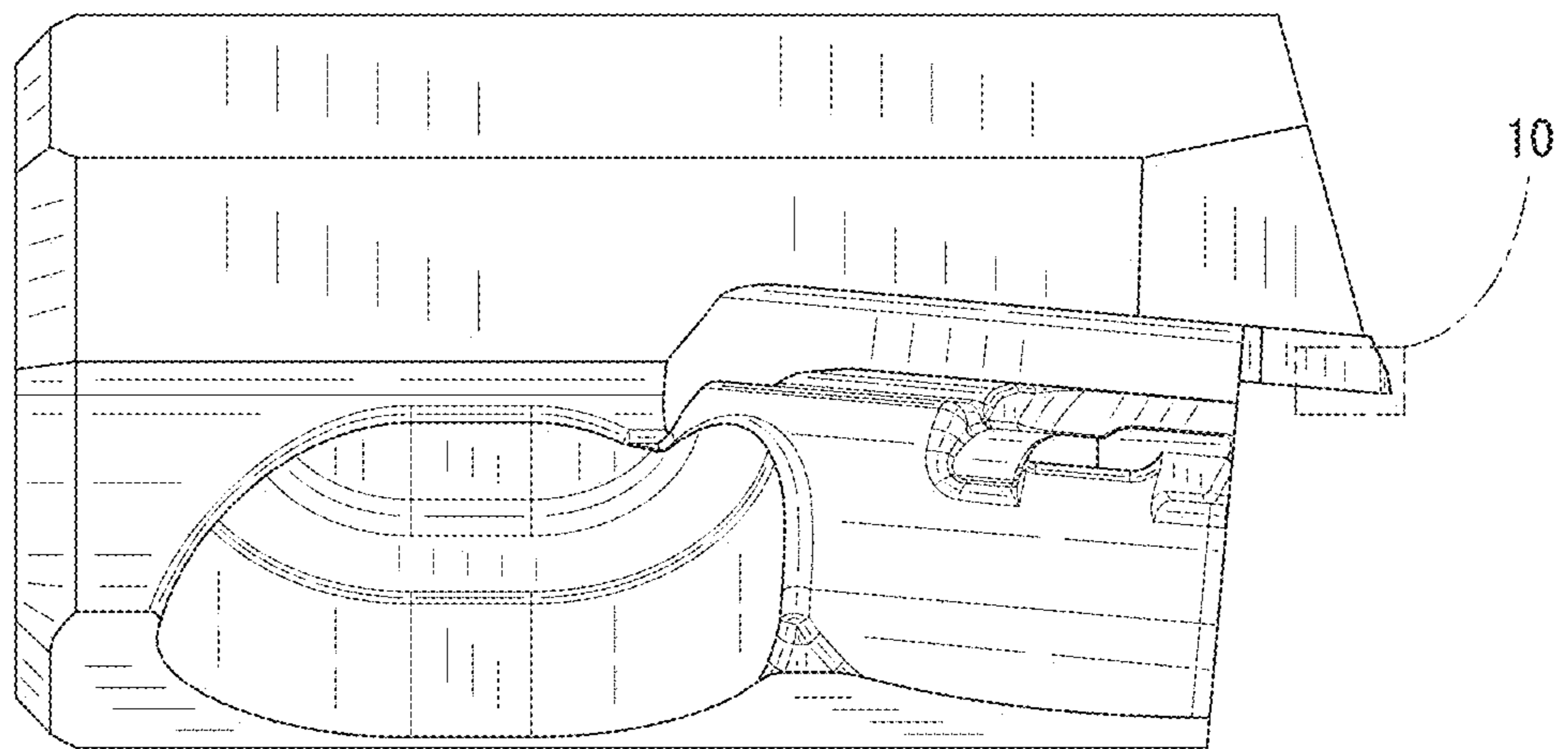


FIG.6

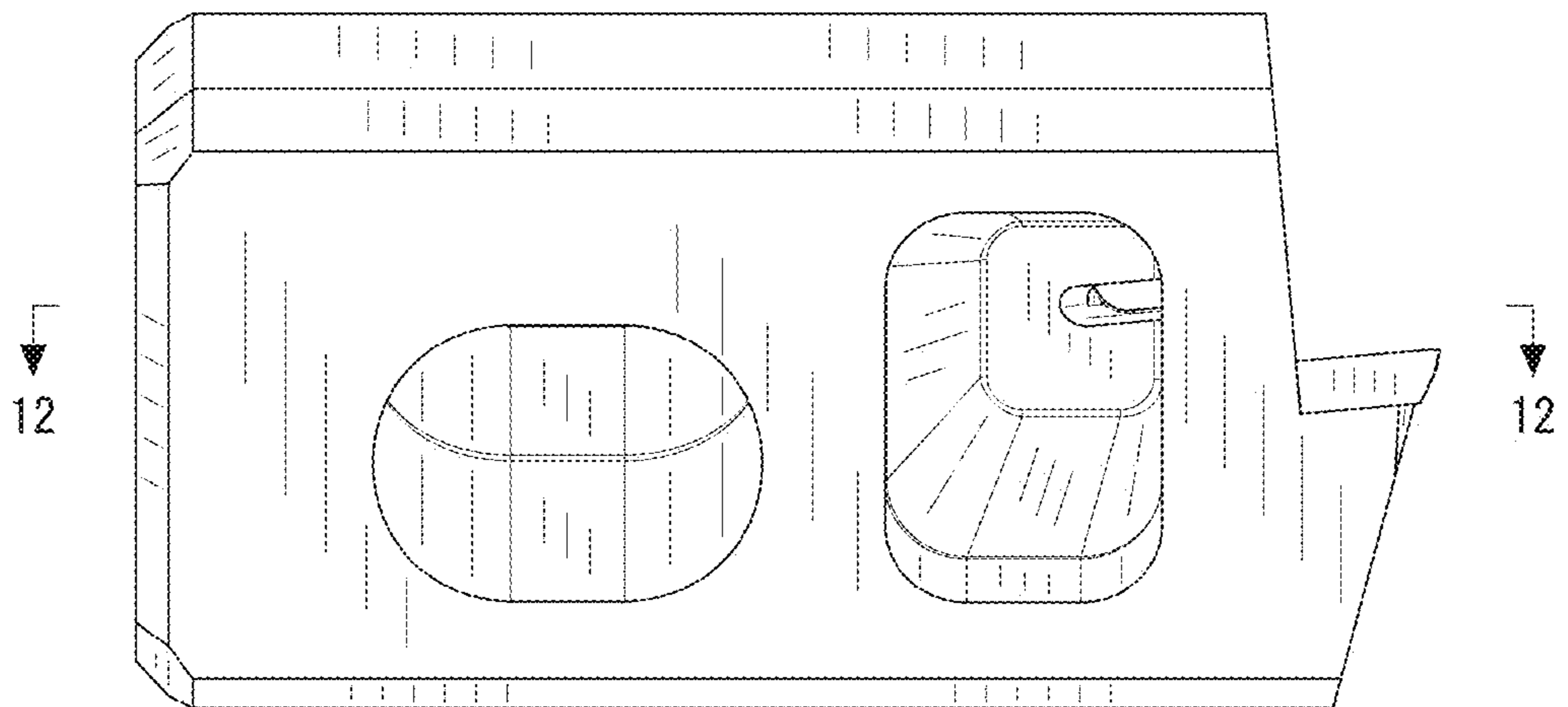


FIG.7

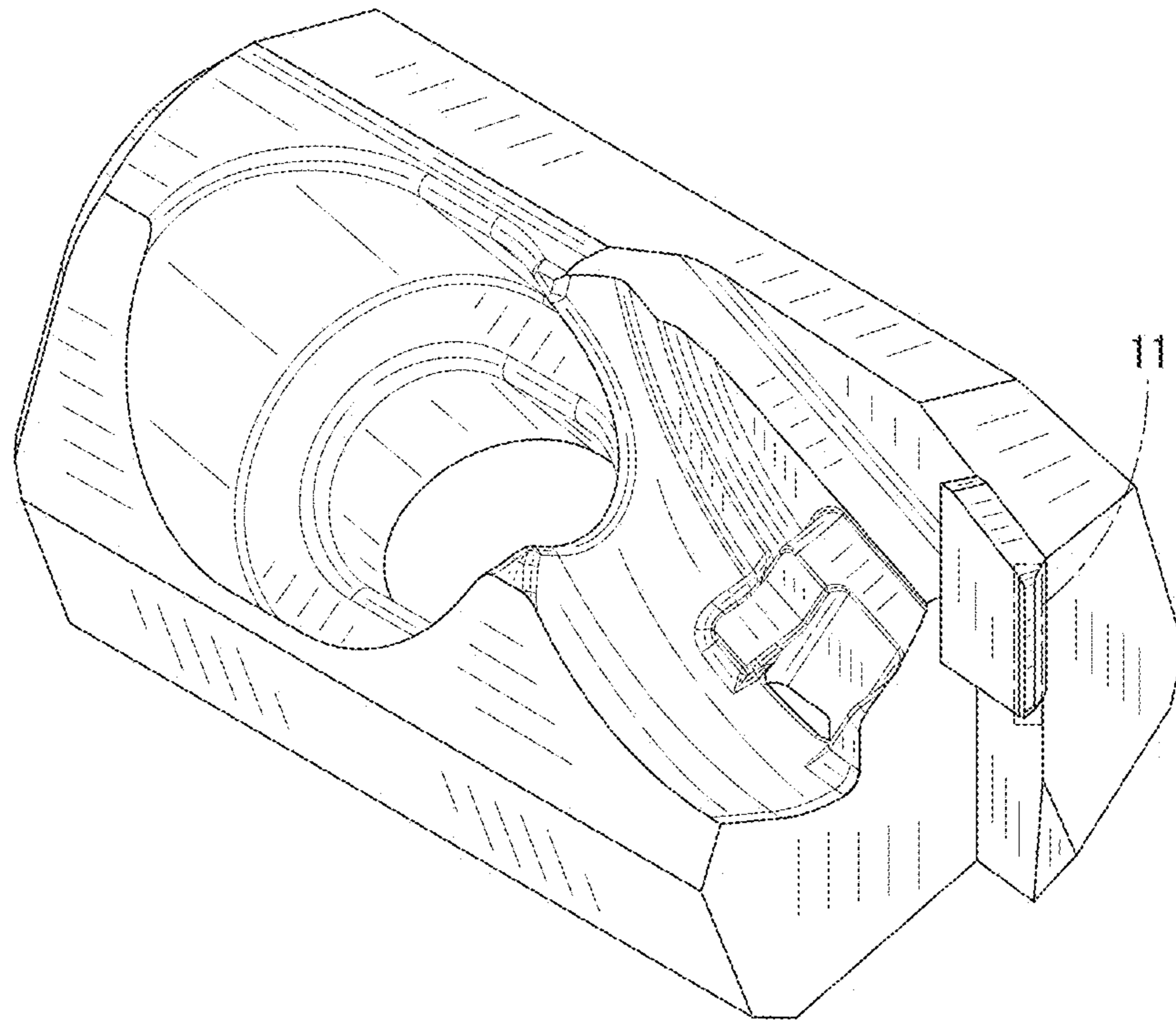


FIG.8

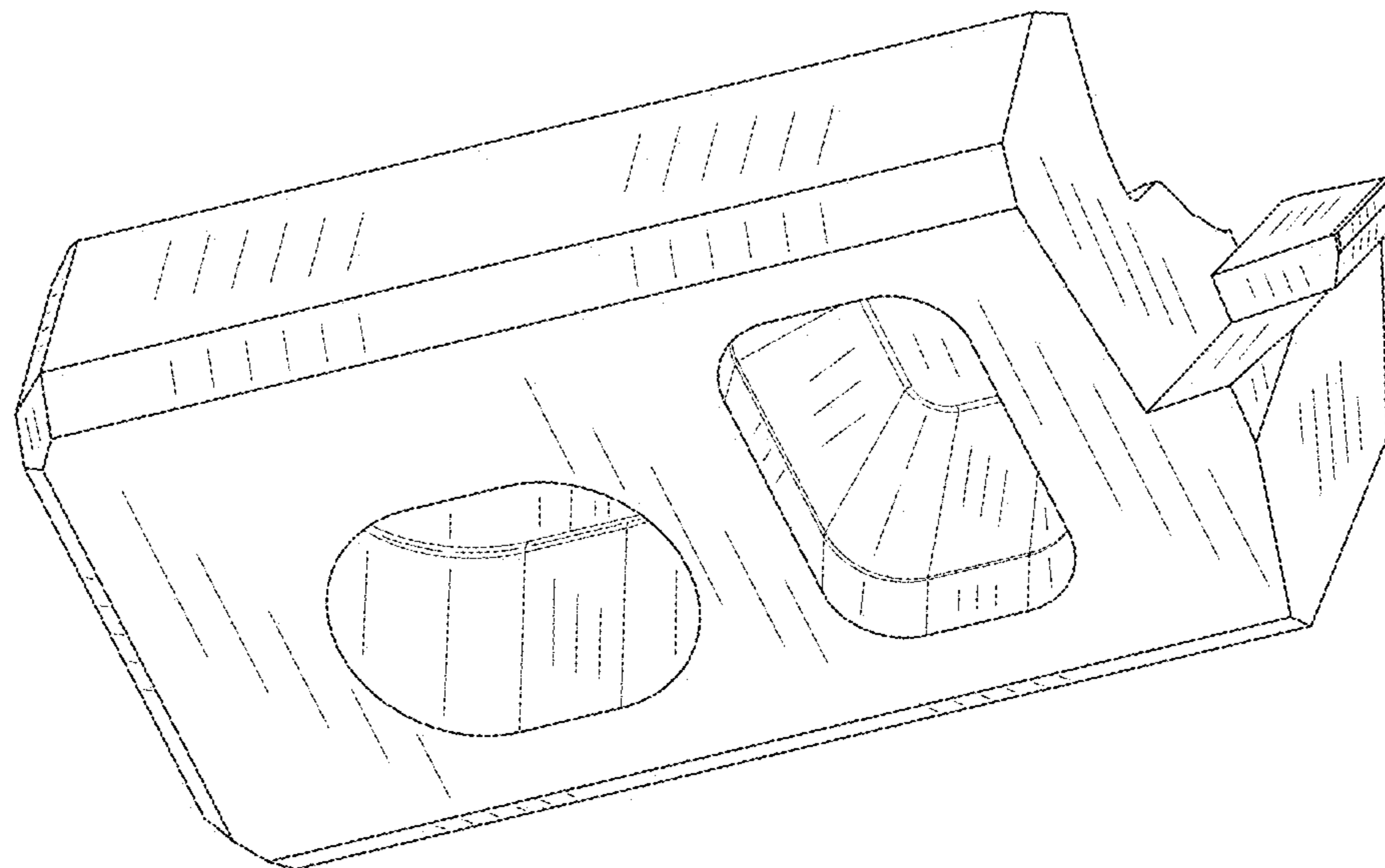


FIG.9

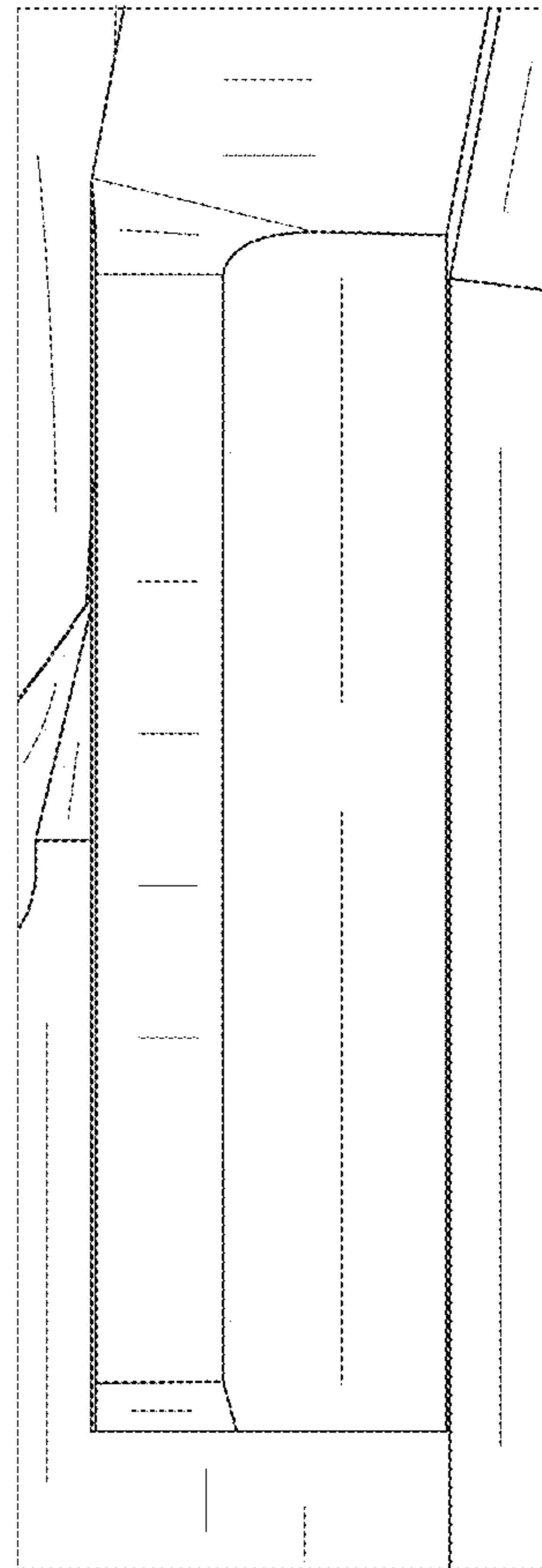


FIG.10

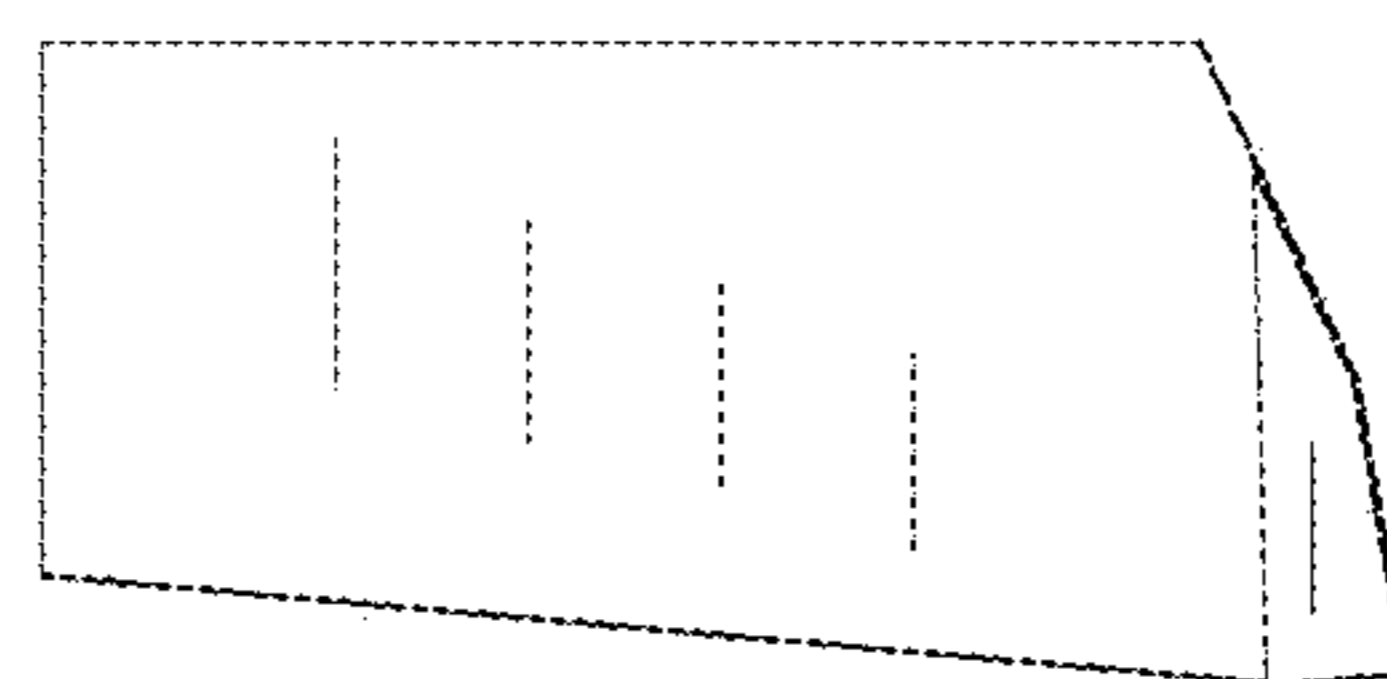


FIG.11

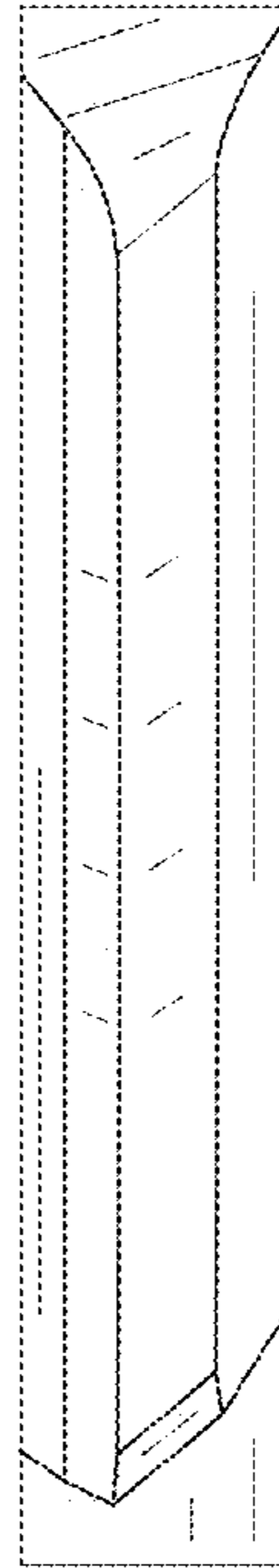


FIG.12

