



US00D977539S

(12) **United States Design Patent** (10) **Patent No.:** **US D977,539 S**  
**Flodman et al.** (45) **Date of Patent:** **\*\* Feb. 7, 2023**

(54) **MILLING CUTTER TOOL**

33/134; E21B 34/12; E21B 43/08; E21B 43/108; E21B 47/00; E21B 47/09; E21B 47/12; E21B 47/122; E21B 4/02; E21B 7/061; E21B 7/068

(71) Applicant: **SECO TOOLS AB**, Fagersta (SE)

See application file for complete search history.

(72) Inventors: **Rikard Flodman**, Arboga (SE); **Kent Karlsson**, Fellingsbro (SE)

(73) Assignee: **SECO TOOLS AB**, Fagersta (SE)

(56) **References Cited**

(\*\*) Term: **15 Years**

U.S. PATENT DOCUMENTS

(21) Appl. No.: **29/774,914**

D250,388 S *	11/1978	Rantanen .....	D15/21
D635,599 S *	4/2011	Furseth .....	D15/139
D768,742 S *	10/2016	Charbonneau .....	D15/139
D812,115 S *	3/2018	MacLennan .....	B27B 33/12 D15/139
D823,909 S *	7/2018	Kawakami .....	D15/139
D832,319 S *	10/2018	Muthuswamy .....	D15/139
D851,145 S *	6/2019	Davis .....	D15/139
D856,386 S *	8/2019	Banjo .....	D15/139
D857,768 S *	8/2019	Rhode .....	D15/139
D862,542 S *	10/2019	Maeda .....	D15/139
D863,382 S *	10/2019	Abe .....	D15/139
D879,168 S *	3/2020	Zhao .....	D15/139

(22) Filed: **Mar. 19, 2021**

**Related U.S. Application Data**

(62) Division of application No. 29/681,693, filed on Feb. 27, 2019, now Pat. No. Des. 926,847.

(30) **Foreign Application Priority Data**

Aug. 29, 2018 (EM) .....	005623543-0001
Aug. 29, 2018 (EM) .....	005623543-0002
Aug. 29, 2018 (EM) .....	005623543-0003
Aug. 29, 2018 (EM) .....	005623543-0004
Aug. 29, 2018 (EM) .....	005623543-0005
Aug. 29, 2018 (EM) .....	005623543-0006

(Continued)

*Primary Examiner* — Khawaja Anwar

(74) *Attorney, Agent, or Firm* — Volpe Koenig

(51) **LOC (14) Cl.** ..... **15-03**

(57) **CLAIM**

We claim the ornamental design for a milling cutter tool, as shown and described.

(52) **U.S. Cl.**

USPC ..... **D15/139**

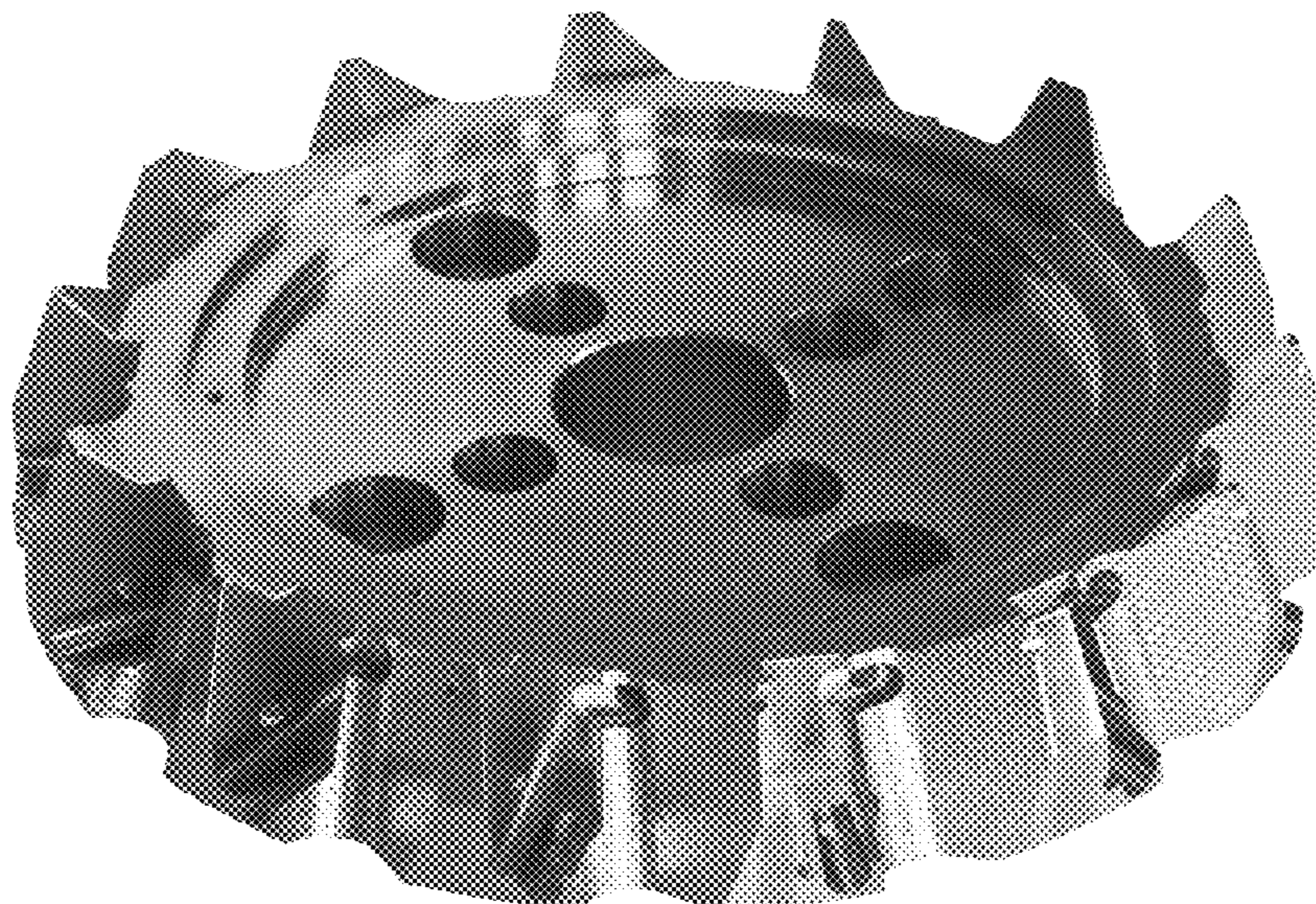
**DESCRIPTION**

(58) **Field of Classification Search**

USPC ..... D15/128, 131, 138, 139, 140  
CPC ..... E21B 33/1208; E21B 23/00; E21B 10/00;  
E21B 10/42; E21B 10/54; E21B 10/55;  
E21B 10/602; E21B 17/00; E21B 17/023;  
E21B 17/06; E21B 19/14; E21B 19/155;  
E21B 21/103; E21B 23/02; E21B 23/14;  
E21B 29/00; E21B 29/005; E21B 29/02;  
E21B 29/06; E21B 31/107; E21B 31/113;  
E21B 31/12; E21B 33/12; E21B 33/128;  
E21B 33/129; E21B 33/1293; E21B

FIG. 1 is a perspective view of a milling cutter tool in accordance with our design;  
FIG. 2 is a top plan view thereof;  
FIG. 3 is a front elevational view thereof;  
FIG. 4 is a left side elevational view thereof;  
FIG. 5 is a rear elevational view thereof;  
FIG. 6 is a right side elevational view thereof; and,  
FIG. 7 is a bottom plan view thereof.

**1 Claim, 7 Drawing Sheets**



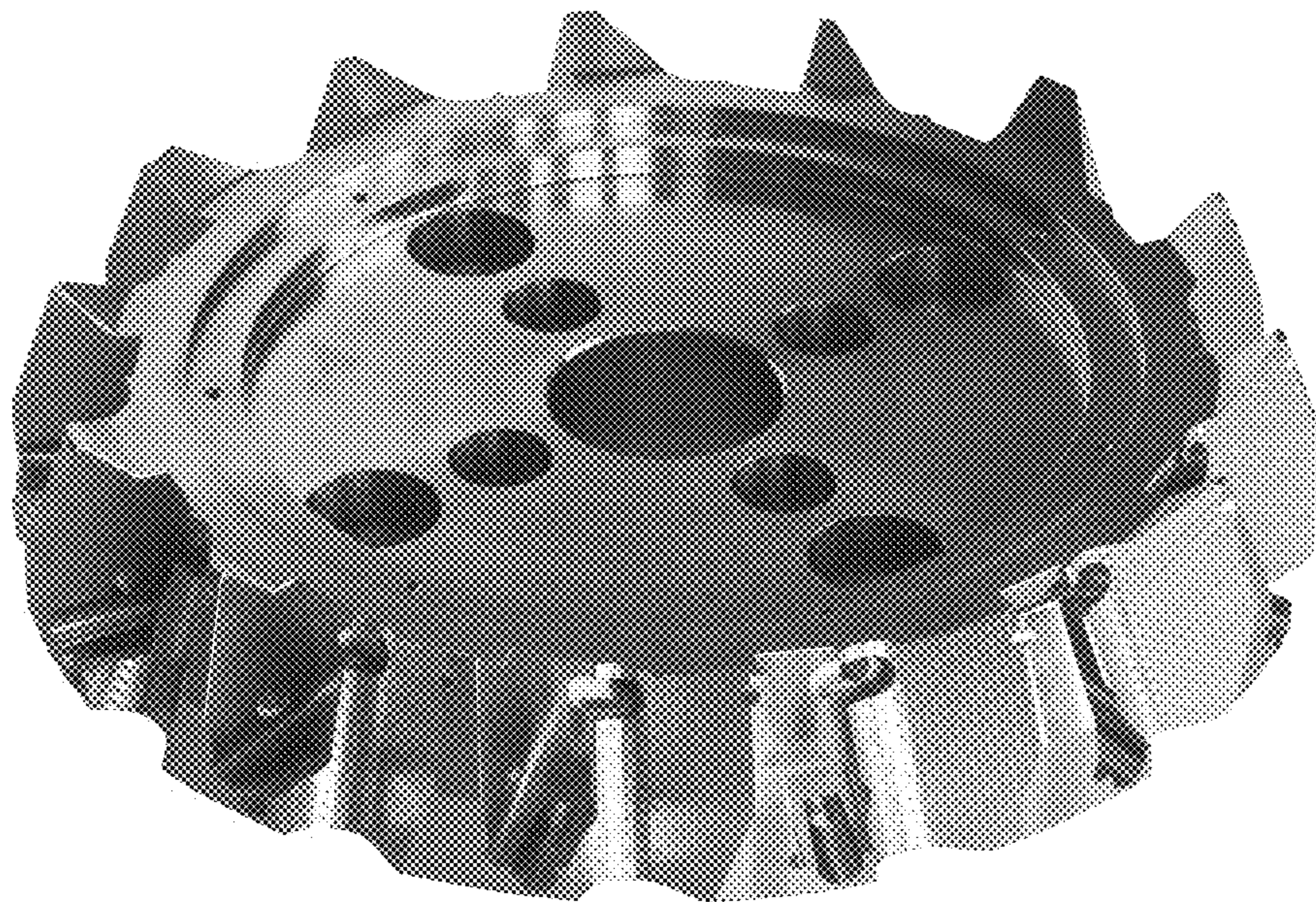
(56)

**References Cited**

U.S. PATENT DOCUMENTS

D896,850 S \* 9/2020 Stark ..... D15/29  
2007/0231088 A1 10/2007 Waggle et al.

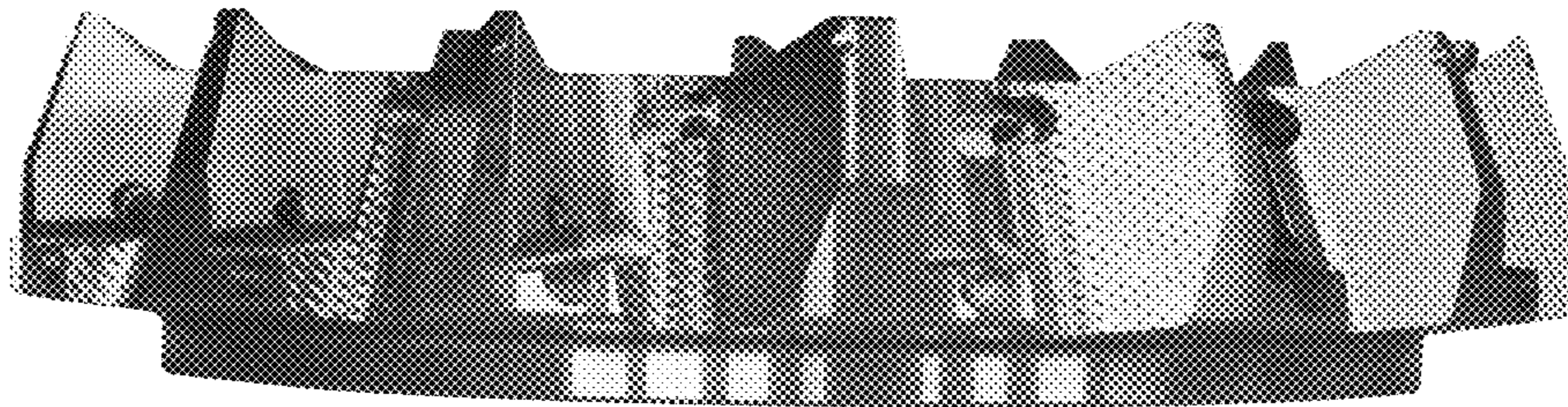
\* cited by examiner



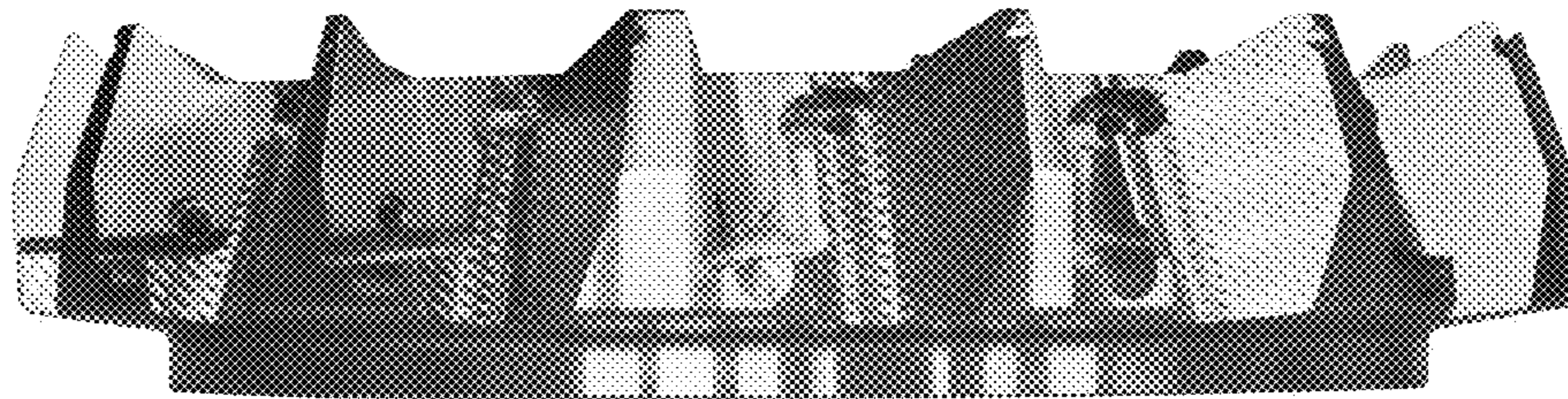
*Fig. 1*



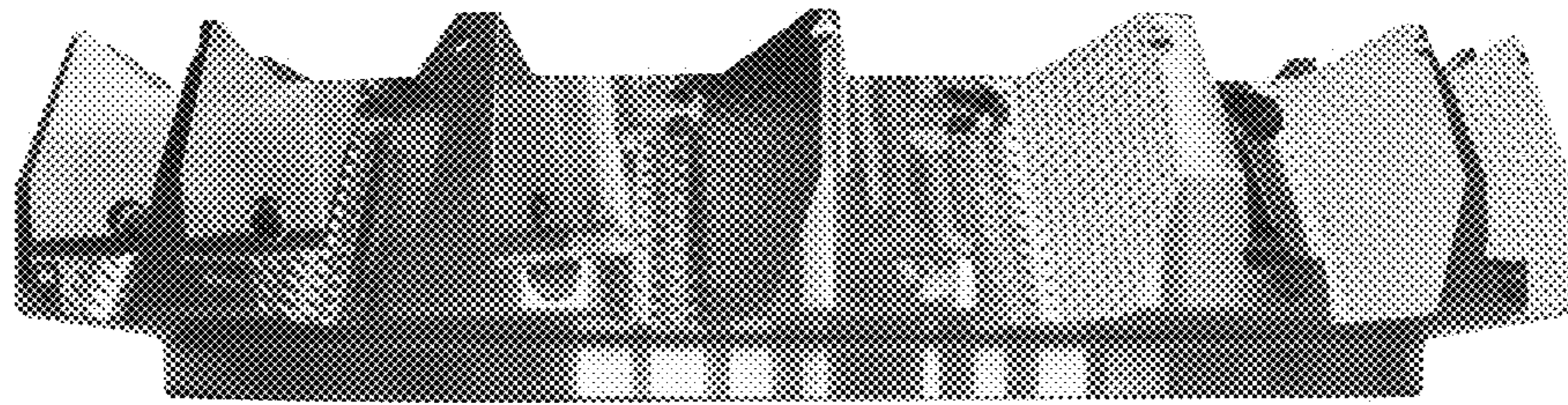
*Fig. 2*



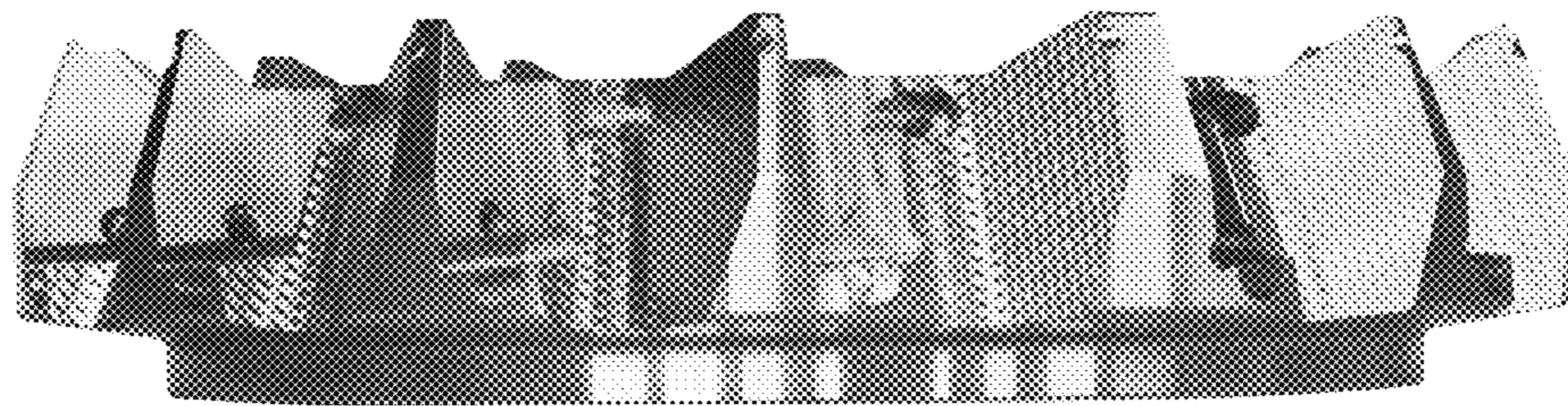
*Fig. 3*



*Fig. 4*



*Fig. 5*



*Fig. 6*





*Fig. 7*