



US00D977536S

(12) **United States Design Patent** (10) **Patent No.:** **US D977,536 S**  
**Flodman et al.** (45) **Date of Patent:** **\*\* Feb. 7, 2023**

(54) **MILLING CUTTER TOOL** 33/134; E21B 34/12; E21B 43/08; E21B 43/108; E21B 47/00; E21B 47/09; E21B 47/12; E21B 47/122; E21B 4/02; E21B 7/061; E21B 7/068  
(71) Applicant: **SECO TOOLS AB**, Fagersta (SE)  
(72) Inventors: **Rikard Flodman**, Arboga (SE); **Kent Karlsson**, Fellingsbro (SE) See application file for complete search history.

(73) Assignee: **SECO TOOLS AB**, Fagersta (SE)

(\*\*) Term: **15 Years**

(21) Appl. No.: **29/774,867**

(22) Filed: **Mar. 19, 2021**

**Related U.S. Application Data**

(62) Division of application No. 29/681,689, filed on Feb. 27, 2019, now Pat. No. Des. 926,846.

(30) **Foreign Application Priority Data**

Aug. 29, 2018 (EM) ..... 005623584-0001  
Aug. 29, 2018 (EM) ..... 005623584-0002  
Aug. 29, 2018 (EM) ..... 005623584-0003  
Aug. 29, 2018 (EM) ..... 005623584-0004  
Aug. 29, 2018 (EM) ..... 005623584-0005  
Aug. 29, 2018 (EM) ..... 005623584-0006

(51) **LOC (14) Cl.** ..... **15-03**

(52) **U.S. Cl.**  
USPC ..... **D15/139**

(58) **Field of Classification Search**  
USPC ..... D15/128, 131, 138, 139, 140  
CPC ..... E21B 33/1208; E21B 23/00; E21B 10/00; E21B 10/42; E21B 10/54; E21B 10/55; E21B 10/602; E21B 17/00; E21B 17/023; E21B 17/06; E21B 19/14; E21B 19/155; E21B 21/103; E21B 23/02; E21B 23/14; E21B 29/00; E21B 29/005; E21B 29/02; E21B 29/06; E21B 31/107; E21B 31/113; E21B 31/12; E21B 33/12; E21B 33/128; E21B 33/129; E21B 33/1293; E21B

(56) **References Cited**

U.S. PATENT DOCUMENTS

D250,388 S \* 11/1978 Rantanen ..... D15/21  
D635,599 S \* 4/2011 Furseth ..... D15/139  
D768,742 S \* 10/2016 Charbonneau ..... D15/139  
D812,115 S \* 3/2018 MacLennan ..... B27B 33/12 D15/139  
D823,909 S \* 7/2018 Kawakami ..... D15/139  
D832,319 S \* 10/2018 Muthuswamy ..... D15/139  
D851,145 S \* 6/2019 Davis ..... D15/139

(Continued)

*Primary Examiner* — Khawaja Anwar

(74) *Attorney, Agent, or Firm* — Volpe Koenig

(57) **CLAIM**

We claim the ornamental design for a milling cutter tool, as shown and described.

**DESCRIPTION**

The patent or application file contains at least one drawing executed in color. Copies of this patent or patent application publication with color drawing(s) will be provided by the Office upon request and payment of the necessary fee.

FIG. 1 is a perspective view of a milling cutter tool in accordance with our design;

FIG. 2 is a top plan view thereof;

FIG. 3 is a front elevational view thereof;

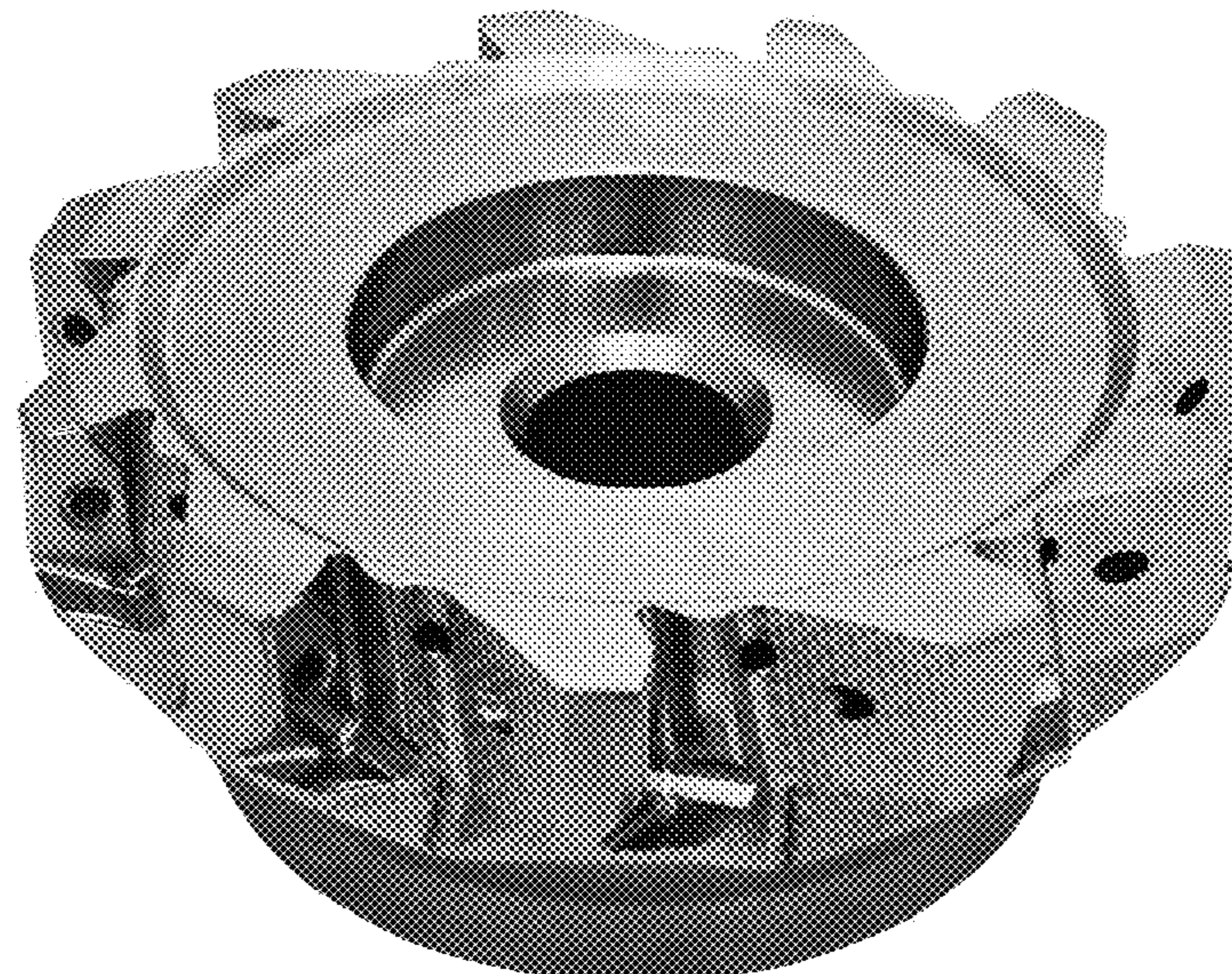
FIG. 4 is a left side elevational view thereof;

FIG. 5 is a rear elevational view thereof;

FIG. 6 is a right side elevational view thereof; and,

FIG. 7 is a bottom plan view thereof.

**1 Claim, 7 Drawing Sheets**  
**(7 of 7 Drawing Sheet(s) Filed in Color)**



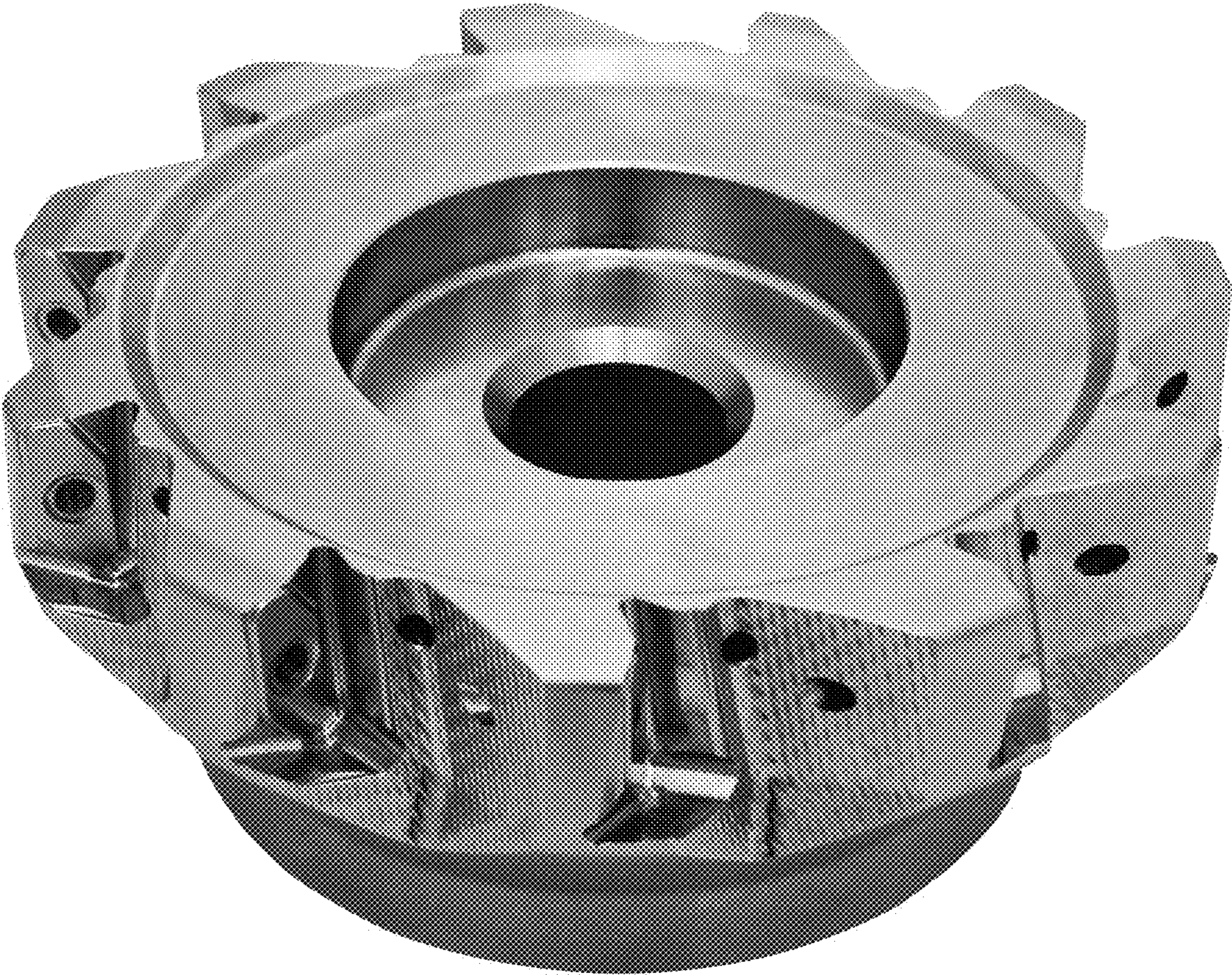
(56)

**References Cited**

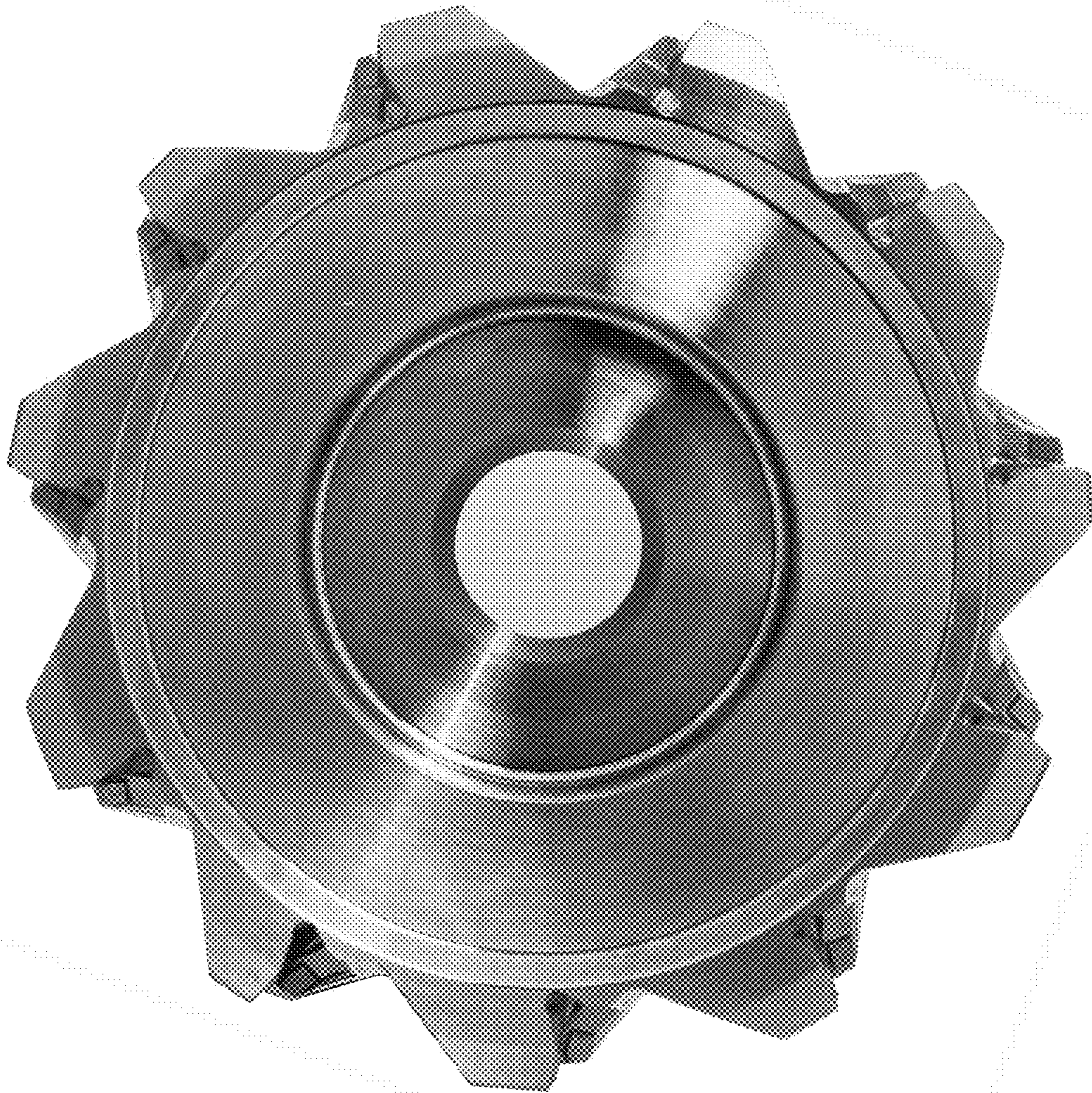
U.S. PATENT DOCUMENTS

D856,386	S	*	8/2019	Banjo	.....	D15/139
D857,768	S	*	8/2019	Rhode	.....	D15/139
D862,542	S	*	10/2019	Maeda	.....	D15/139
D863,382	S	*	10/2019	Abe	.....	D15/139
D879,168	S	*	3/2020	Zhao	.....	D15/139
D896,850	S	*	9/2020	Stark	.....	D15/29
2007/0231088	A1		10/2007	Waggle et al.		

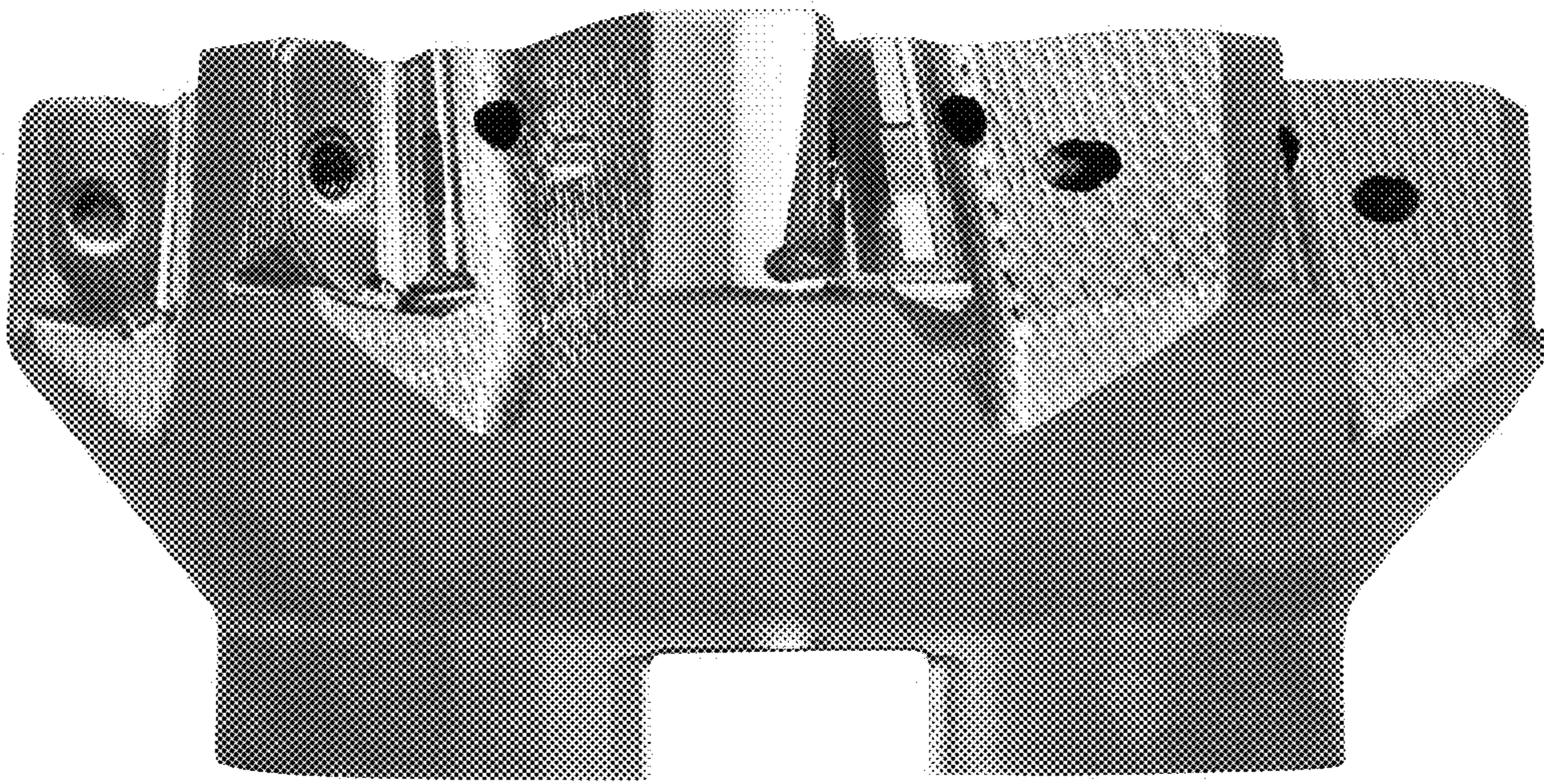
\* cited by examiner



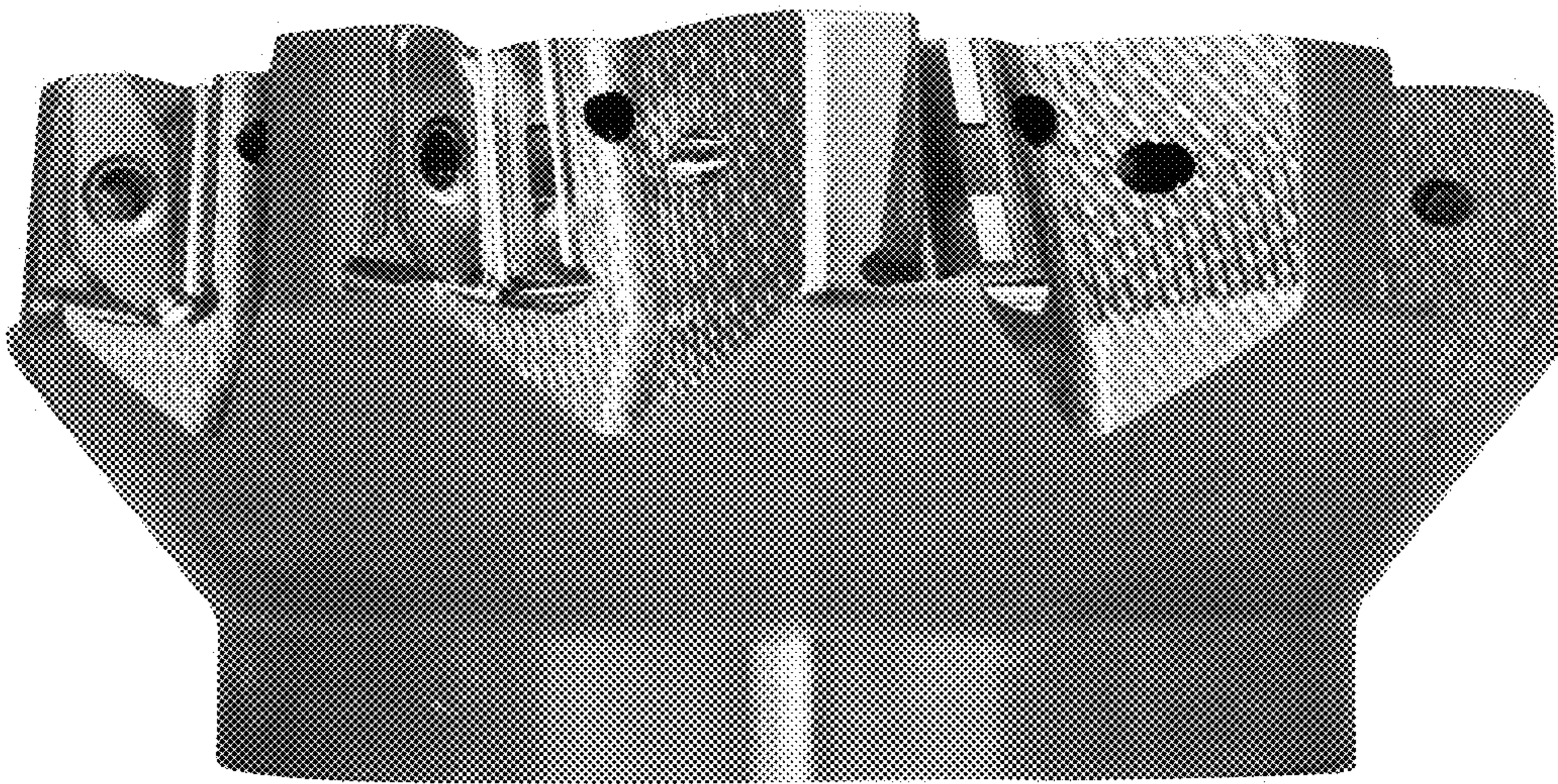
*Fig. 1*



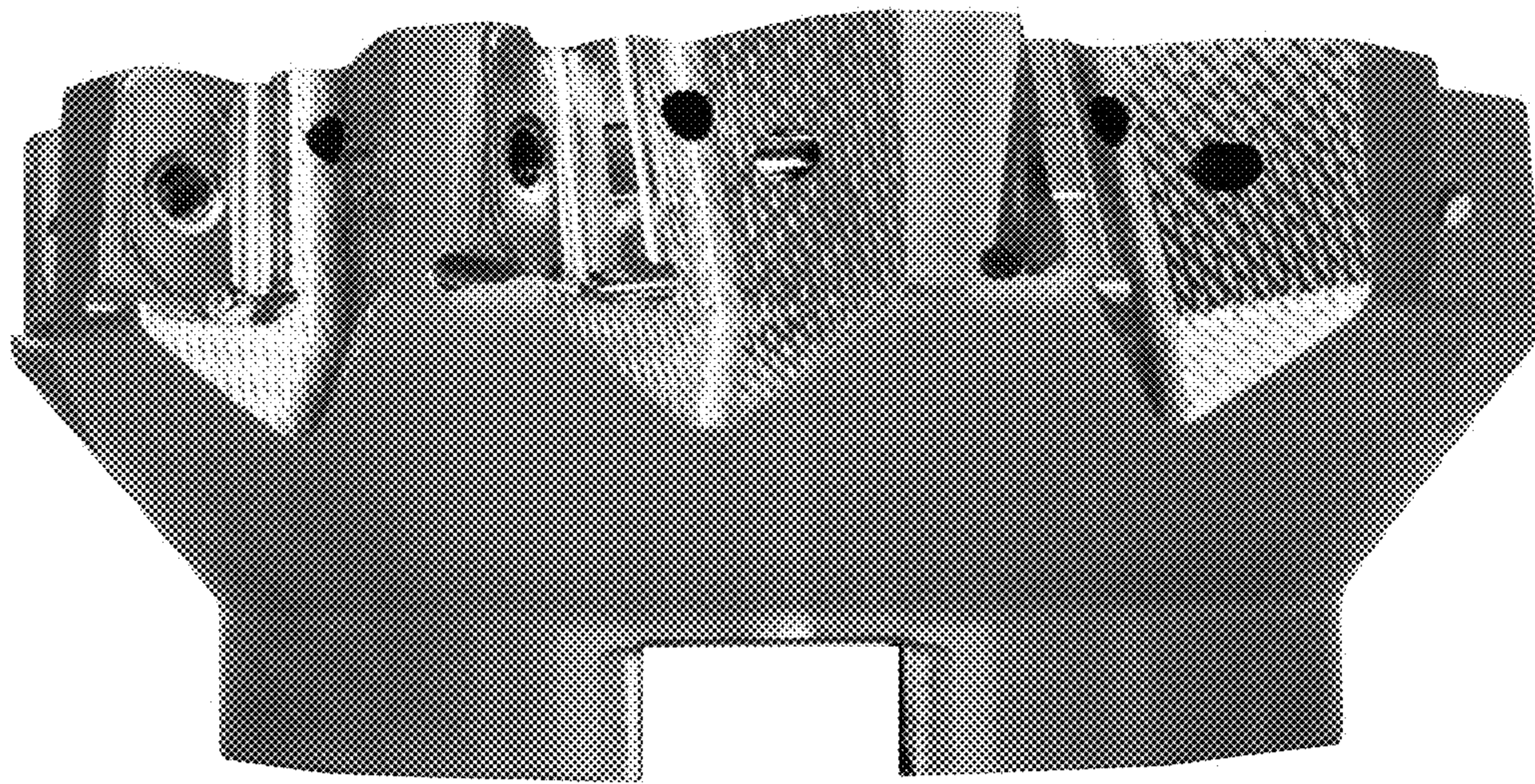
*Fig. 2*



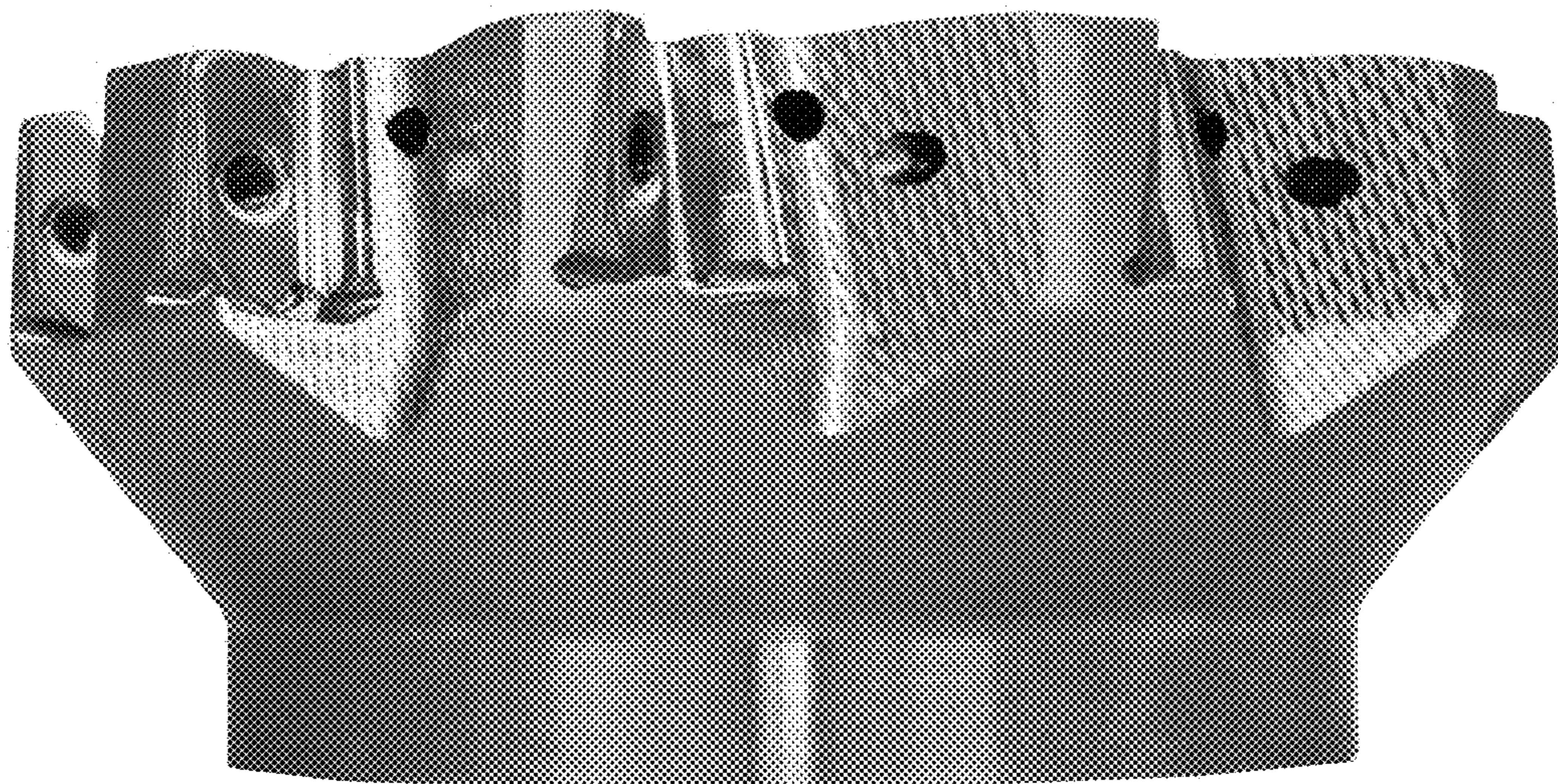
*Fig. 3*



*Fig. 4*

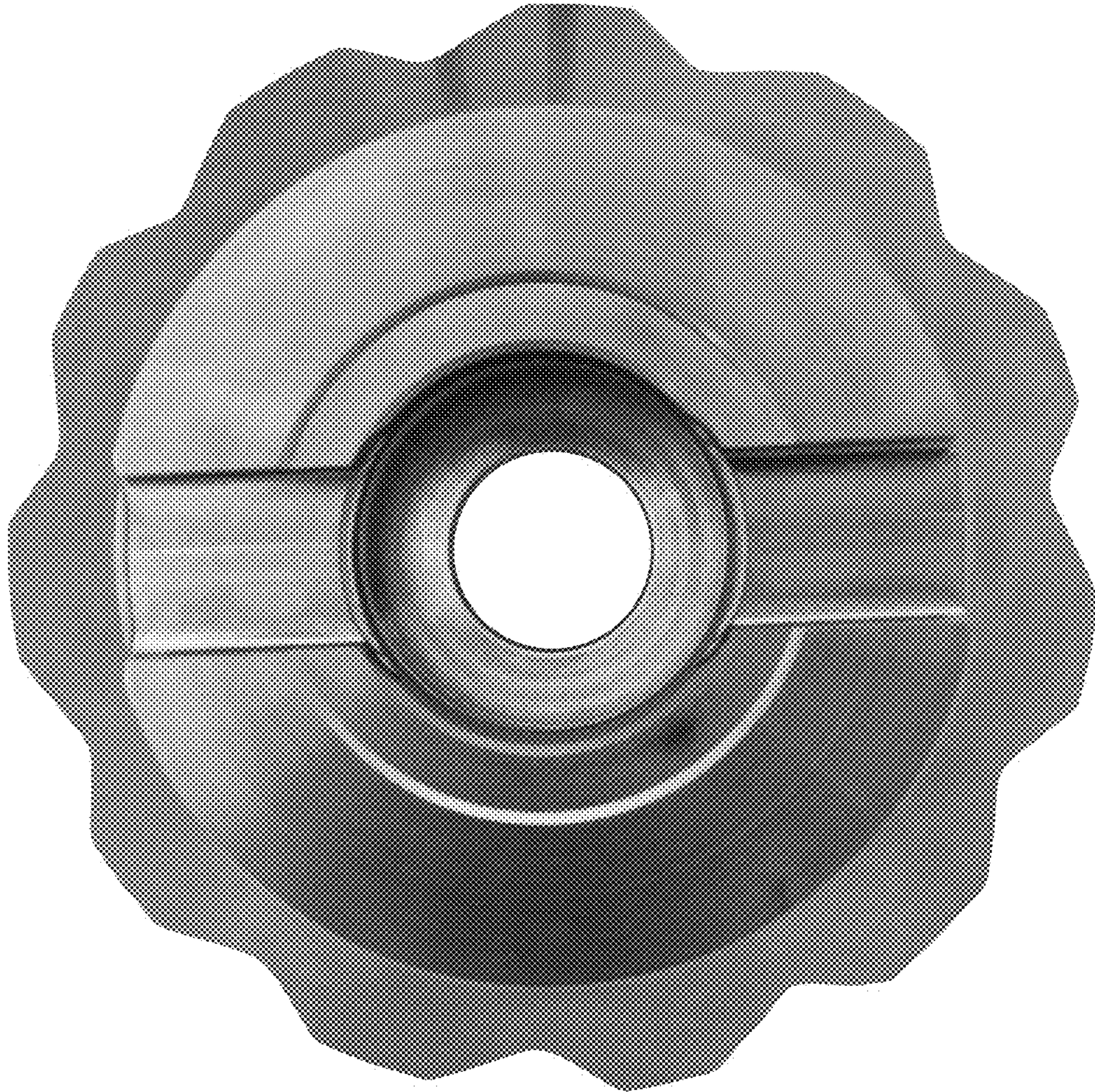


*Fig. 5*



*Fig. 6*





*Fig. 7*