



US00D977535S

(12) **United States Design Patent** (10) **Patent No.:** **US D977,535 S**
Ren (45) **Date of Patent:** **** Feb. 7, 2023**

(54) **CASTING MACHINE** 2,145,448 A * 1/1939 Nathan B22D 17/04
164/318

(71) Applicant: **CITIC Dicastal Co., Ltd**, Qinhuangdao (CN) 2,473,482 A * 6/1949 Tobener, Jr. B22D 19/085
249/142

(72) Inventor: **Yanchao Ren**, Hebei (CN) 2,939,190 A * 6/1960 Jones B22D 15/02
249/161

(73) Assignee: **CITIC Dicastal Co., Ltd.**, Qinhuangdao (CN) D202,233 S * 9/1965 Abbott D18/53
D213,915 S * 4/1969 Cofer D15/135
D225,683 S * 12/1972 Kerr D15/135
D472,908 S * 4/2003 Schaer D15/147
D768,215 S * 10/2016 Funakoshi D15/135
D768,216 S * 10/2016 Funakoshi D15/135
D768,741 S * 10/2016 Funakoshi D15/135
D769,339 S * 10/2016 Funakoshi D15/135
D918,277 S * 5/2021 Jaun D15/122
D947,906 S * 4/2022 Jaun D15/122

(**) Term: **15 Years**

(21) Appl. No.: **35/514,556**

(22) Filed: **Apr. 22, 2022**

FOREIGN PATENT DOCUMENTS

JP 2010274294 A * 12/2010
WO WO-2004110673 A2 * 12/2004 B22D 41/06
WO WO-2009130186 A2 * 10/2009 A23G 1/206

* cited by examiner

Primary Examiner — Patricia A Palasik

(74) *Attorney, Agent, or Firm* — IPro, PLLC

(57) **CLAIM**

The ornamental design for a casting machine, as shown and described.

DESCRIPTION

- 1. Casting machine
- 1.1 : Front
- 1.2 : Back
- 1.3 : Left
- 1.4 : Right
- 1.5 : Top
- 1.6 : Bottom
- 1.7 : Perspective
- 1.8 : Perspective
- 1.9 : Perspective
- 1.10 : Perspective

1 Claim, 10 Drawing Sheets

(80) **Hague Agreement Data**

Int. Filing Date: **Apr. 22, 2022**

Int. Reg. No.: **DM/221472**

Int. Reg. Date: **Apr. 22, 2022**

Int. Reg. Pub. Date: **Jul. 1, 2022**

(51) **LOC (14) Cl.** **15-09**

(52) **U.S. Cl.**
USPC **D15/135**

(58) **Field of Classification Search**
USPC D15/122, 135, 136, 137
CPC B22D 15/00; B22D 15/02
See application file for complete search history.

(56) **References Cited**

U.S. PATENT DOCUMENTS

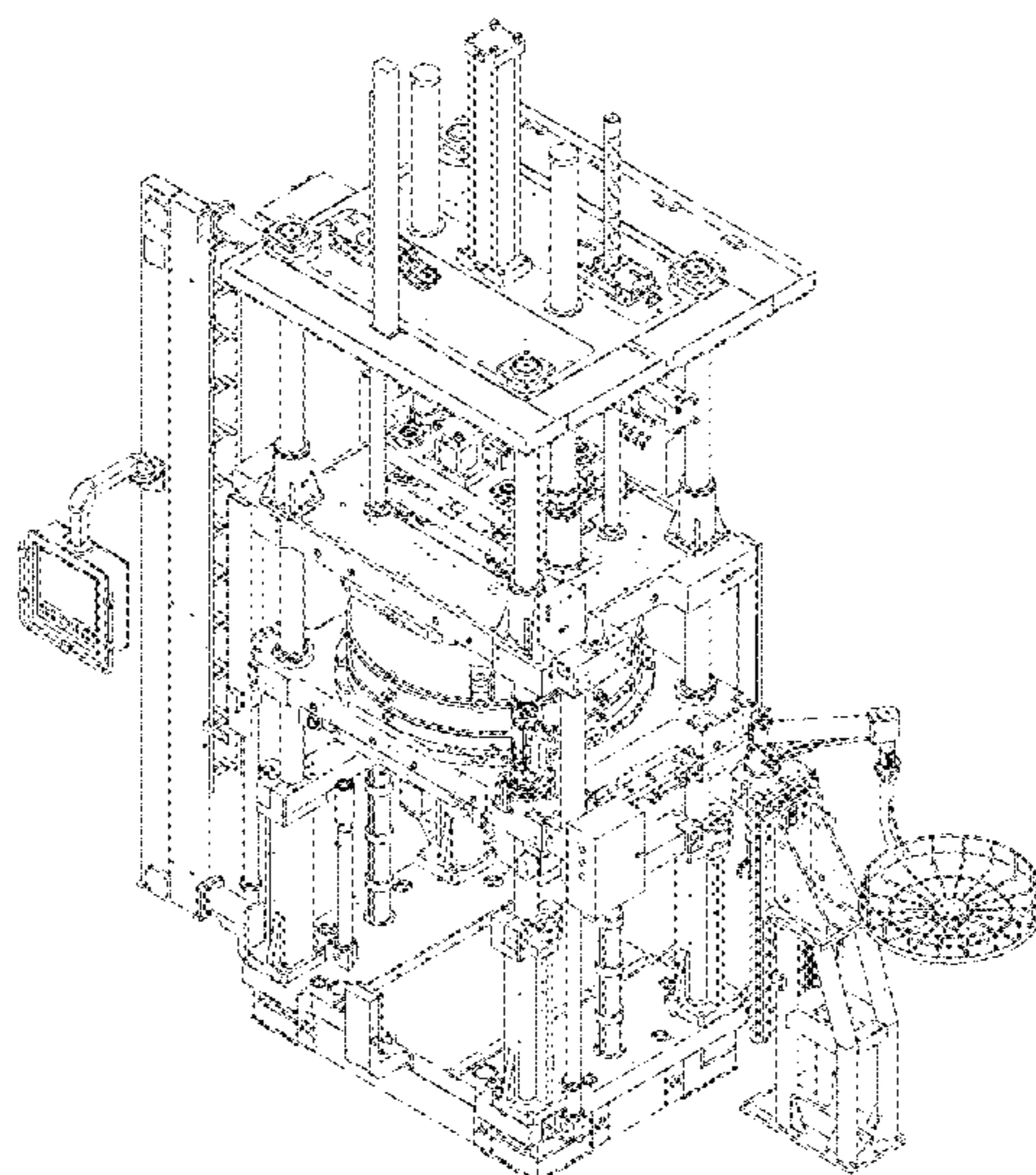
1,033,254 A * 7/1912 Lister B22D 5/04
164/331

1,239,806 A * 9/1917 Morris B22D 17/06
164/314

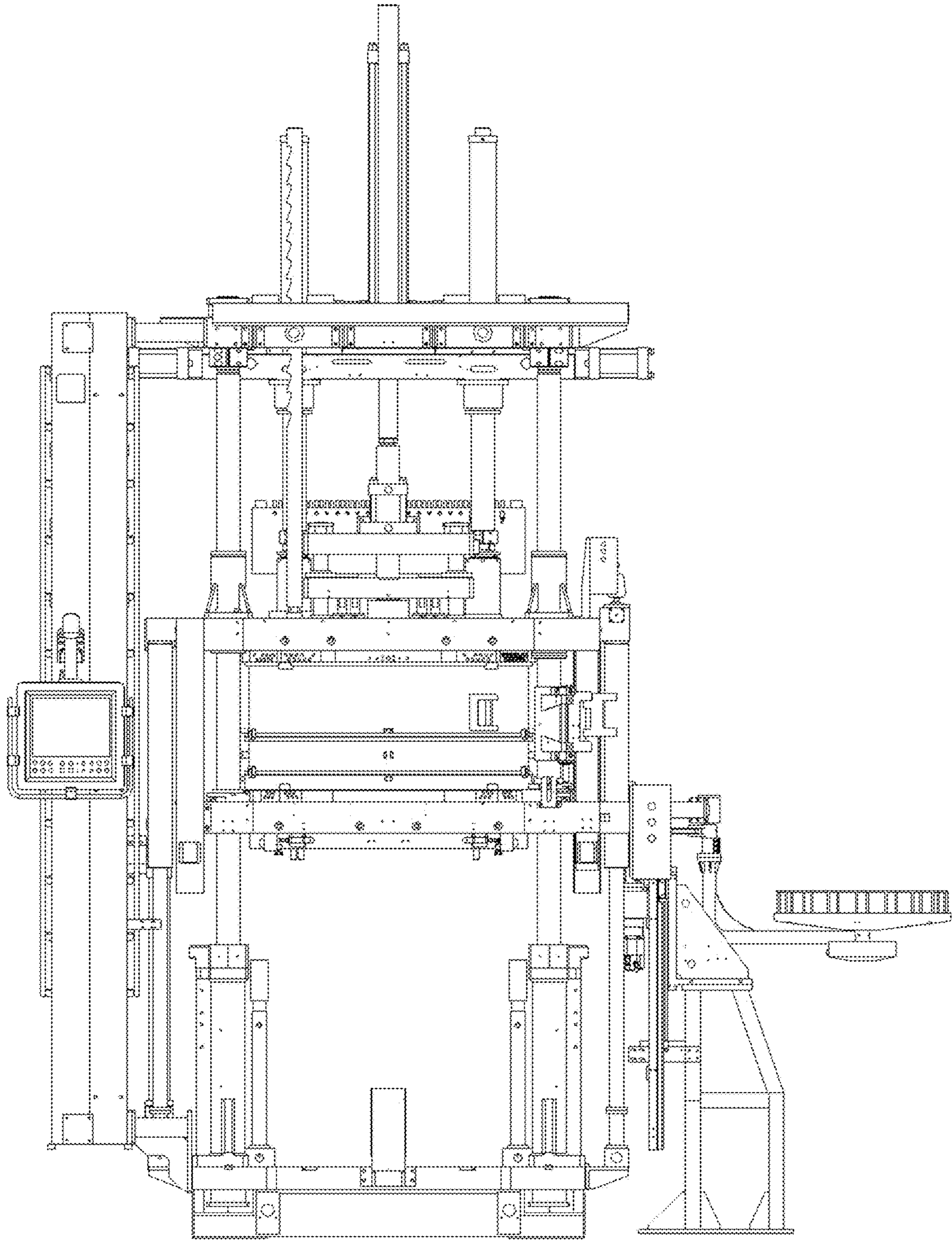
1,932,580 A * 10/1933 Fritz B41D 3/00
164/139

1,975,966 A * 10/1934 Morin B29D 5/00
164/262

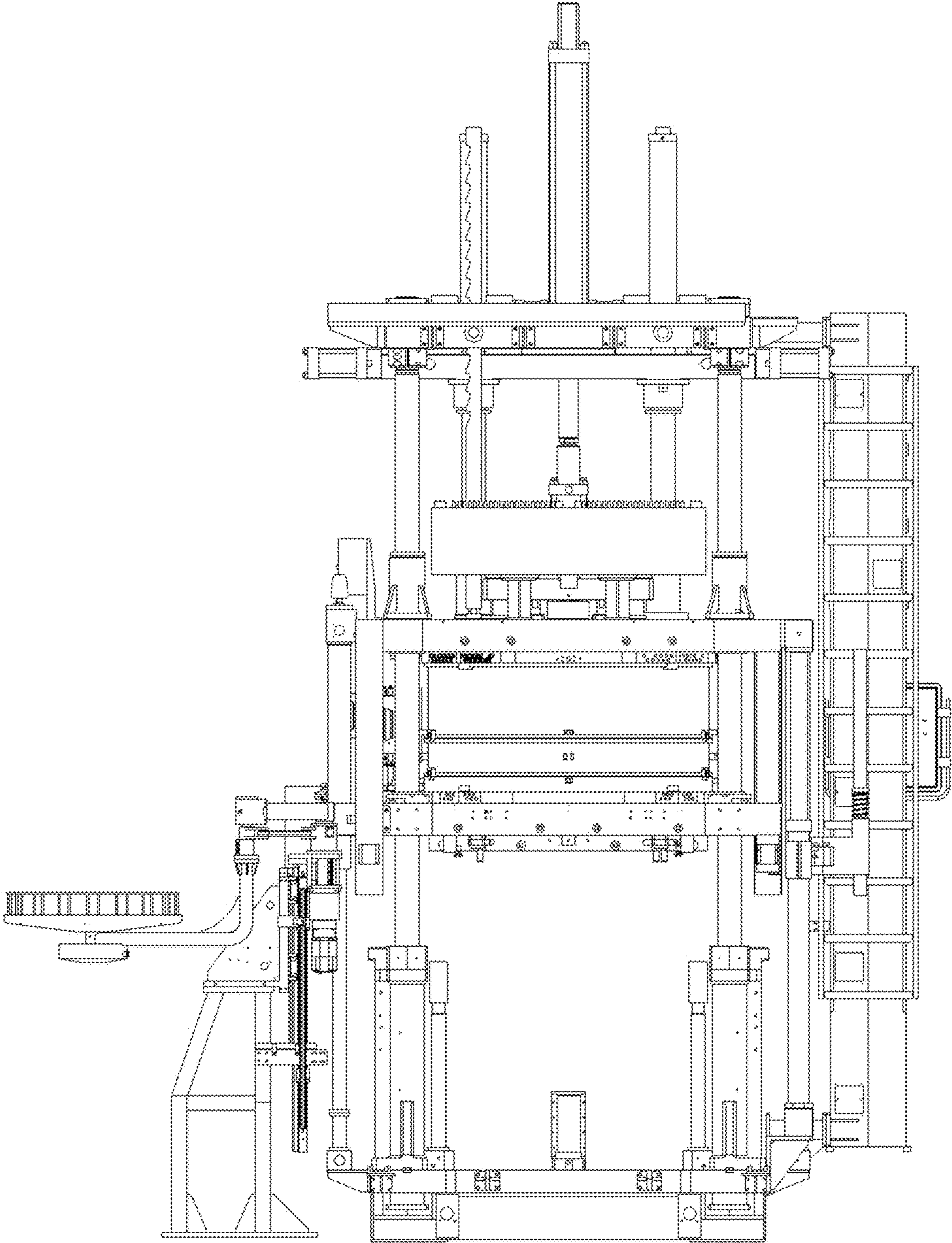
2,068,420 A * 1/1937 Lockwood B22D 25/04
164/347



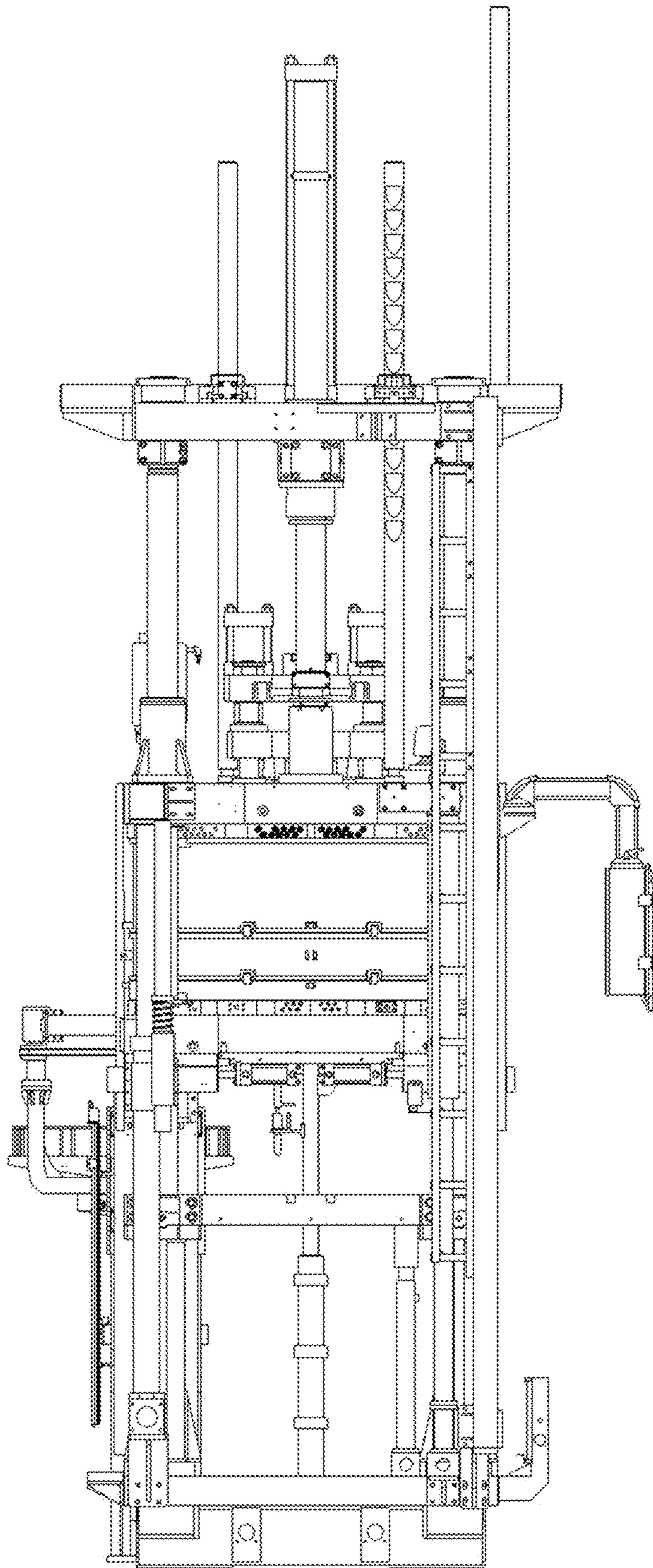
1.1



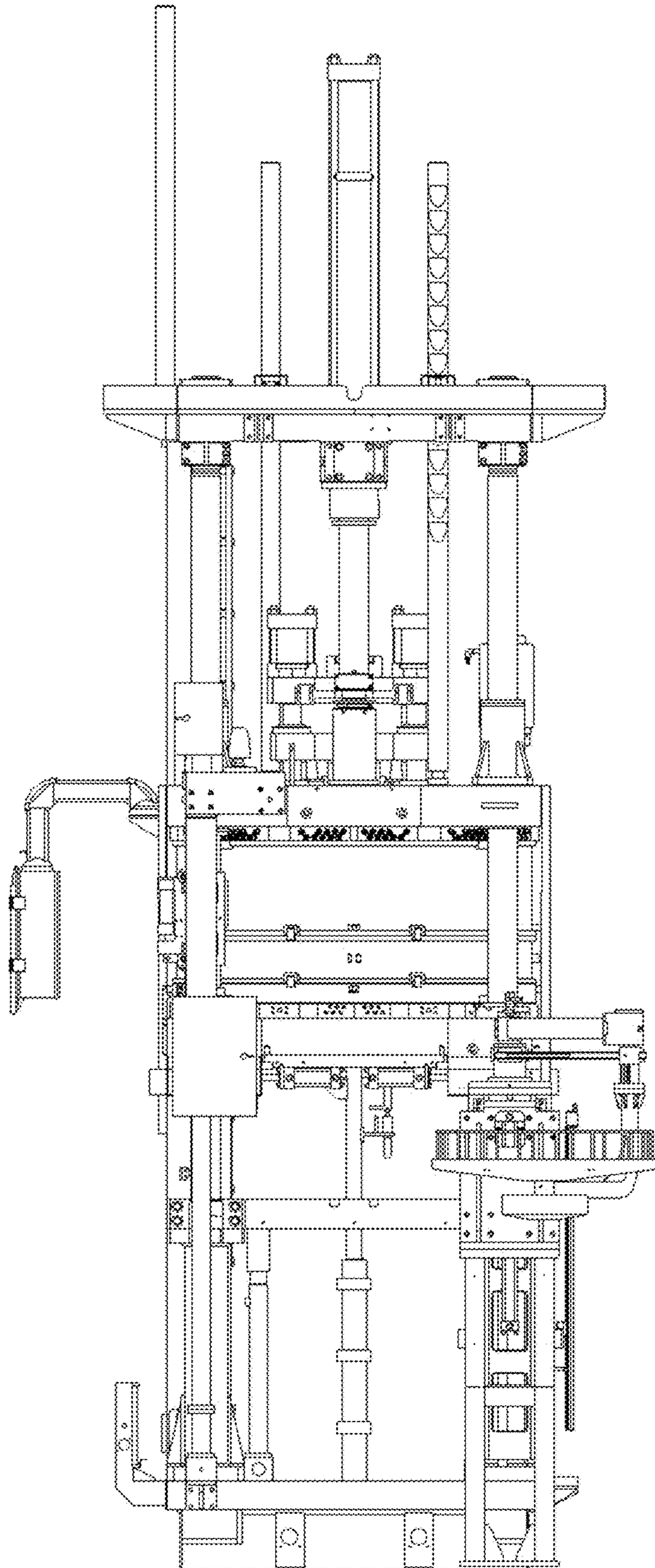
1.2



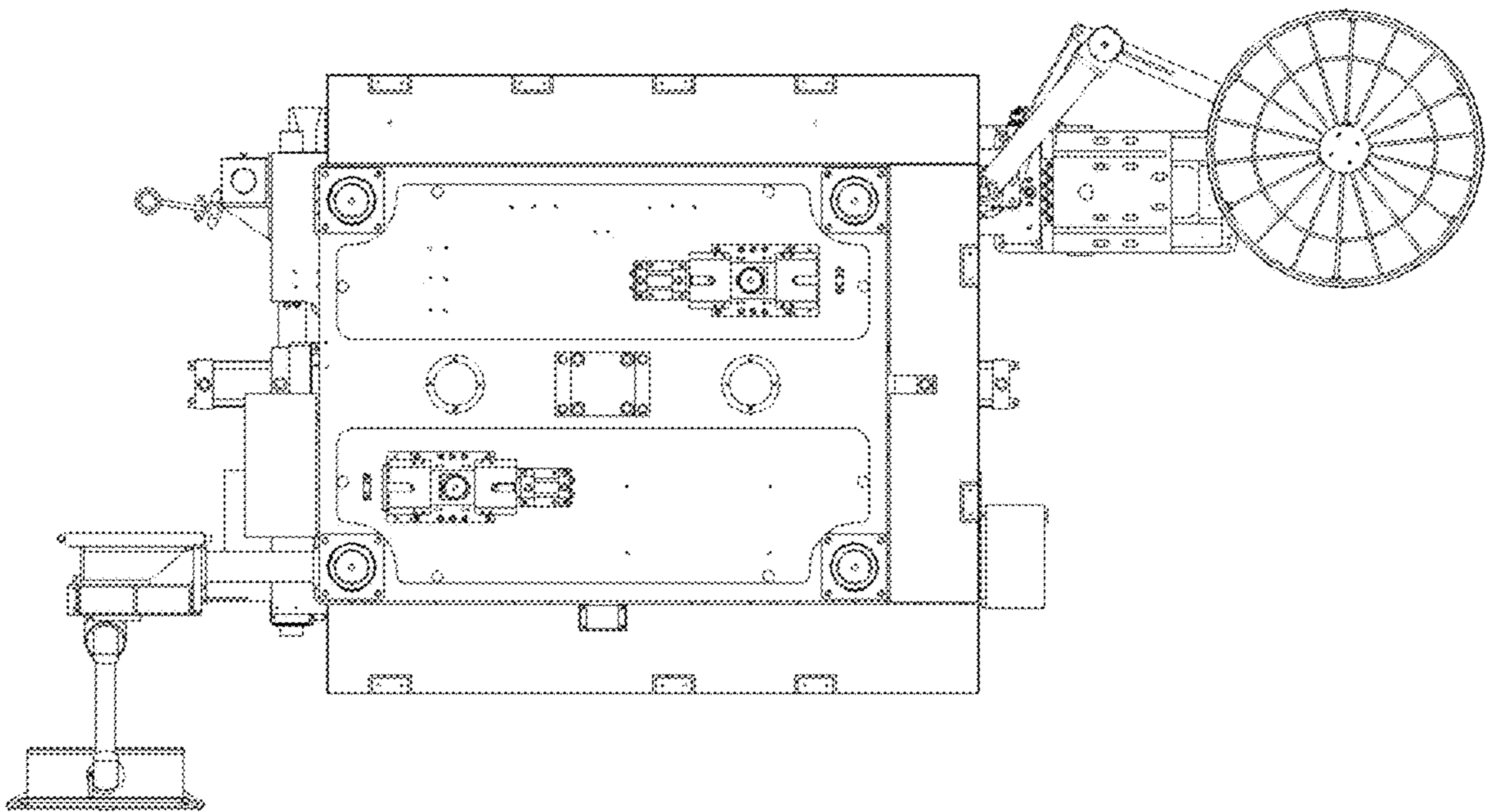
1.3



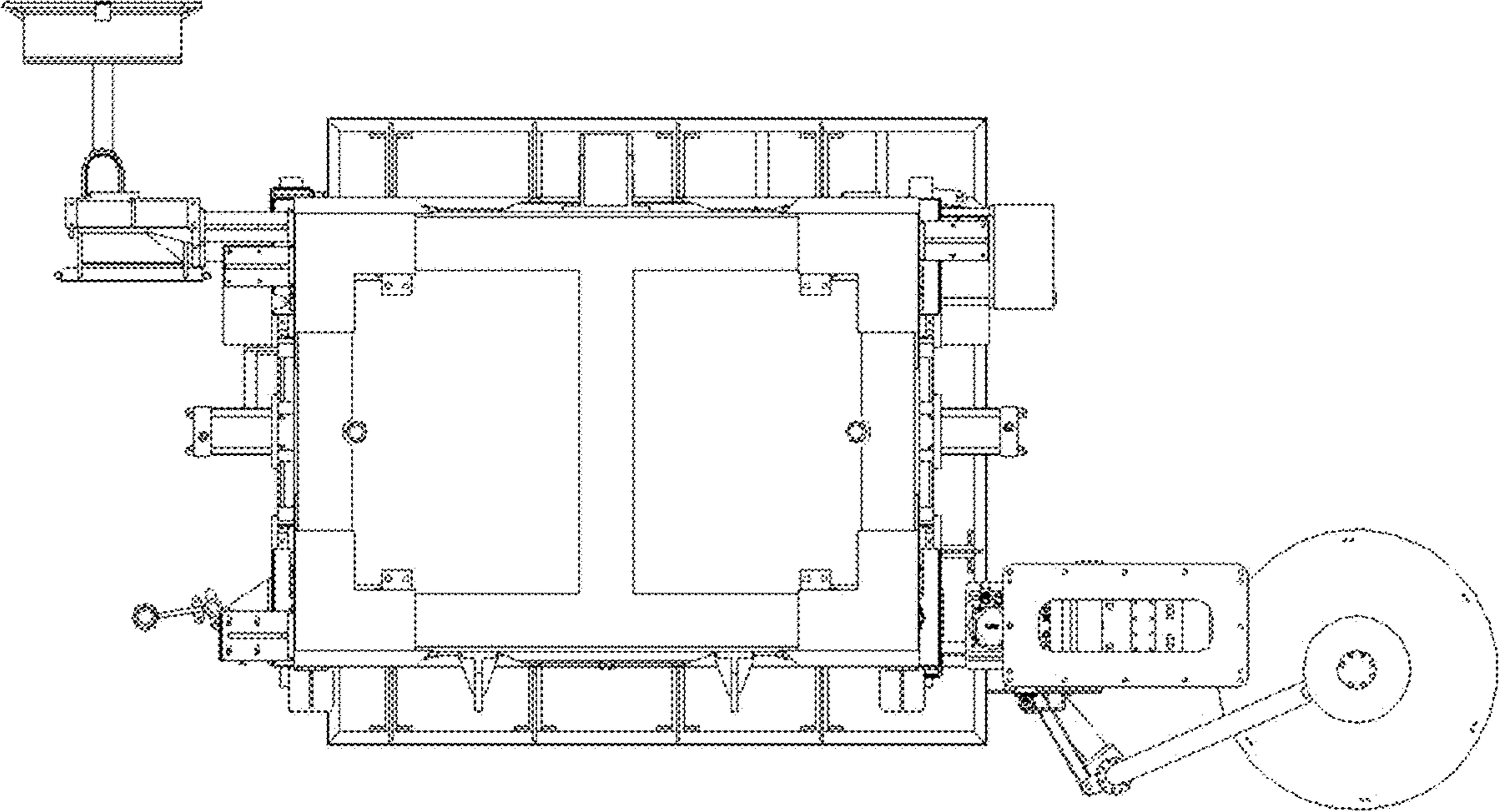
1.4



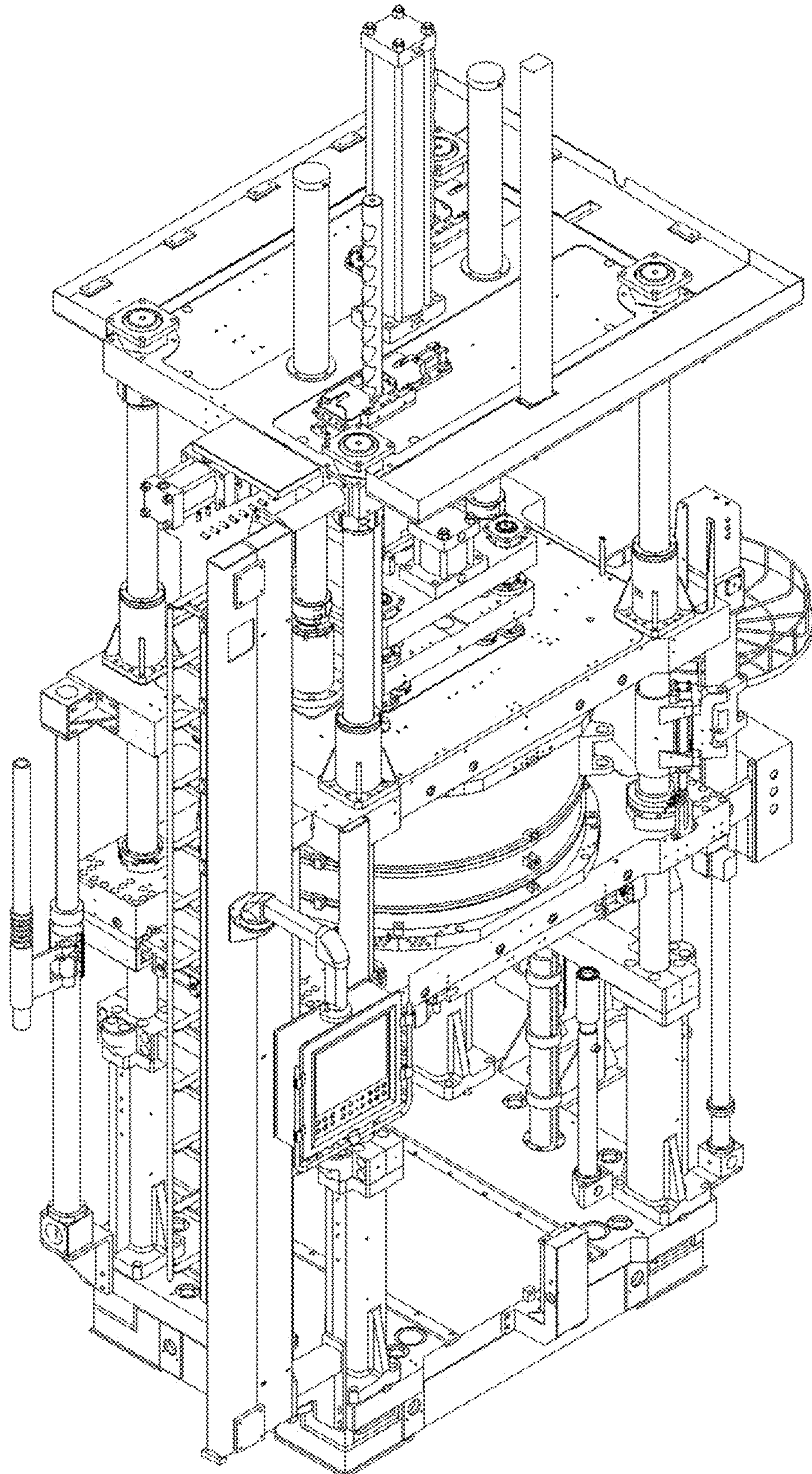
1.5



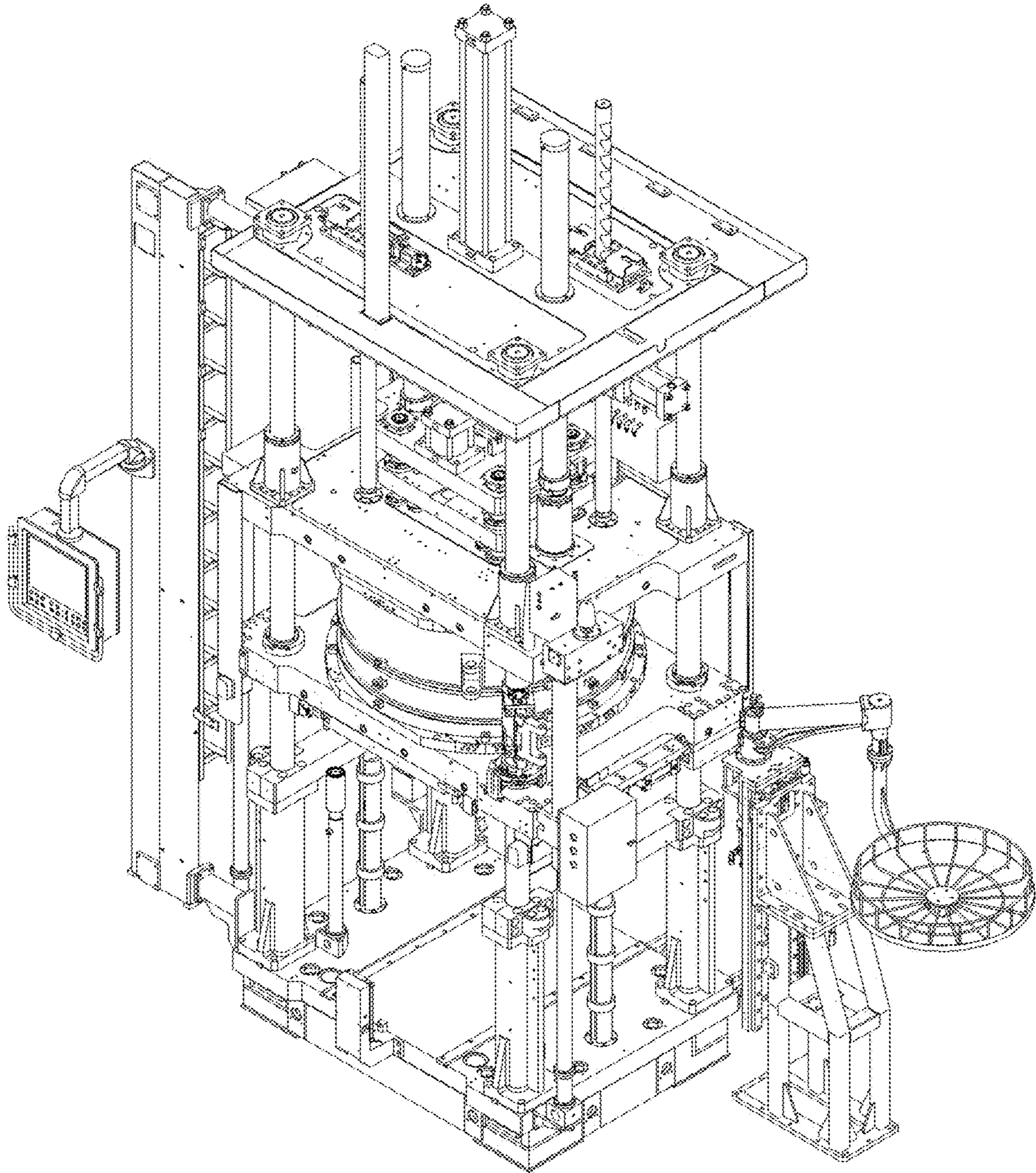
1.6



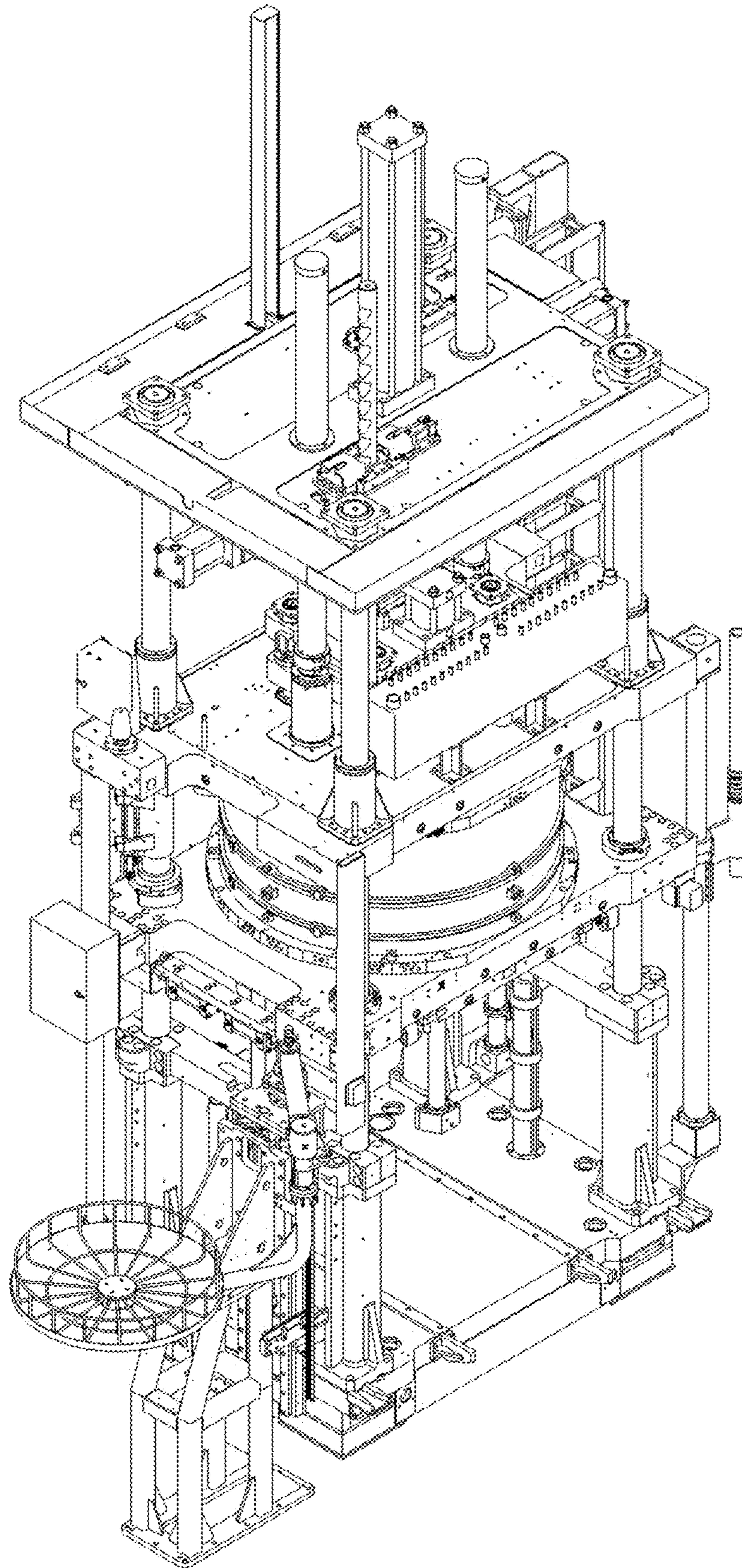
1.7



1.8



1.9



1.10

