



US00D977534S

(12) **United States Design Patent** (10) **Patent No.:** **US D977,534 S**
Klein et al. (45) **Date of Patent:** **** Feb. 7, 2023**

(54) **MITER SLOT INDICATOR**

(71) Applicant: **Magswitch Technology Worldwide
PTY LTD.**, Lafayette, CO (US)

(72) Inventors: **Andrew Klein**, Parker, CO (US); **David
Long**, Golden, CO (US)

(73) Assignee: **MAGSWITCH TECHNOLOGY
WORLDWIDE PTY LTD.**, Lafayette,
CO (US)

(**) Term: **15 Years**

(21) Appl. No.: **29/715,049**

(22) Filed: **Nov. 27, 2019**

(51) **LOC (14) Cl.** **15-09**

(52) **U.S. Cl.**
USPC **D15/133**

(58) **Field of Classification Search**
USPC D10/46, 64, 65, 70, 71-74, 79, 80, 122,
D10/123, 127; D8/27, 354; D15/133
CPC G01B 3/20; G01B 5/25
See application file for complete search history.

(56) **References Cited**

U.S. PATENT DOCUMENTS

2,181,077 A * 11/1939 Street G01D 11/10
33/556
D196,748 S * 10/1963 Shanok D10/73
4,188,727 A * 2/1980 Matui G01B 3/008
33/796
D492,951 S * 7/2004 Caluori D10/64
D517,575 S * 3/2006 Maschke D15/133

(Continued)

OTHER PUBLICATIONS

Magswitch Universal Saw Indicator, posted on magswitch.com, no
posted date given, no production date given, [online], [site visited

Sep. 21, 2021], available from internet, URL: <https://magswitch.com/product/universal-saw-indicator/> (Year: 2021).*

(Continued)

Primary Examiner — Michael C Stout
Assistant Examiner — Fritzgerald L Butac

(74) *Attorney, Agent, or Firm* — Faegre Drinker Biddle &
Reath LLP

(57) **CLAIM**

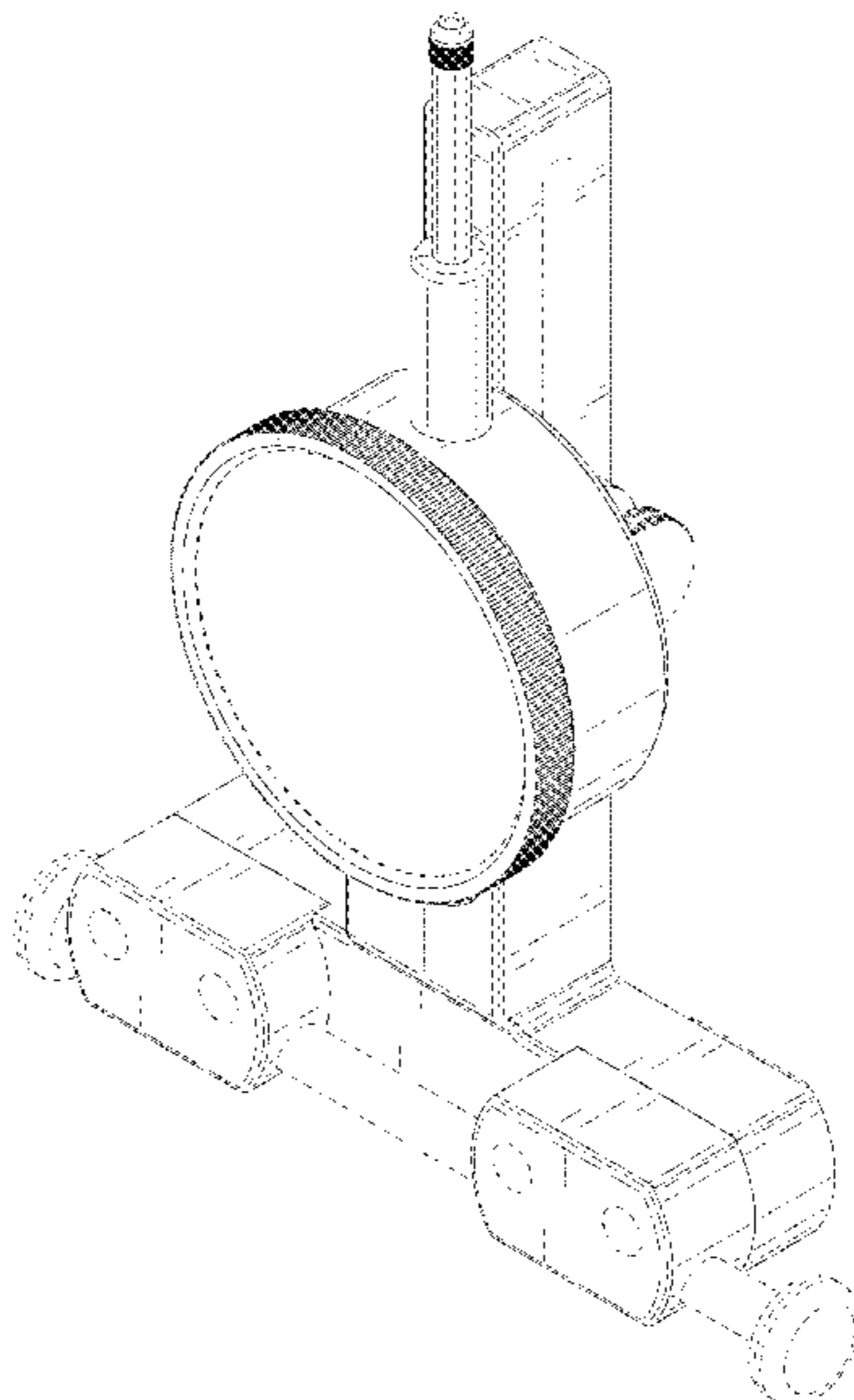
The ornamental design for a miter slot indicator, as shown
and described.

DESCRIPTION

FIG. 1 is a front perspective view of a miter slot indicator
showing my new design in a first embodiment;
FIG. 2 is a front elevational view thereof;
FIG. 3 is a rear elevational view thereof;
FIG. 4 is a left side elevational view thereof;
FIG. 5 is a right side elevational view thereof;
FIG. 6 is a top plan view thereof; and
FIG. 7 is a bottom plan view thereof.
FIG. 8 is a front perspective view of the second embodiment
of a miter slot indicator;
FIG. 9 is a front elevational view of the second embodiment
of FIG. 8;
FIG. 10 is a rear elevational view of the second embodiment
of FIG. 8;
FIG. 11 is a left side elevational view of the second
embodiment of FIG. 8;
FIG. 12 is a right side elevational view of the second
embodiment of FIG. 8;
FIG. 13 is a top plan view of the second embodiment of FIG.
8; and,
FIG. 14 is a bottom plan view of the second embodiment
FIG. 8.

The broken lines in the drawings depict portions of the miter
slot indicator that form no part of the claimed design.

1 Claim, 14 Drawing Sheets



(56)

References Cited

U.S. PATENT DOCUMENTS

7,245,199 B1 * 7/2007 Reilly B23D 59/002
33/628
D574,862 S * 8/2008 Reilly D15/133

OTHER PUBLICATIONS

Taylor Toolworks Magnetic Base; https://www.amazon.com/Magnetic-Base-Adjustment-Indicator-0-0005/dp/B01JU18A0Q?ref_=fsclp_pl_dp_2; available at least Nov. 26, 2019, 7 pages.

Banggood Universal Magnetic Base Holder Stand + Dial Test Indicator Gauge; https://www.banggood.com/Universal-Magnetic-Base-Holder-Stand-Dial-Test-Indicator-Gauge-Scale-Precision-p-1274201.html?rmmds=buy&cur_warehouse=CN; available at least Nov. 26, 2019, 12 pages.

US Tool and Fastener Woodpeckers / Saw Gauge; [https://www.ustoolandfastener.com/woodpeckers-saw-gauge-sg-wp/?utm_term=&utm_campaign=ECI+-+Google+Shopping+-+All+Products+\(non-mobile\)+\(non+Brand\)\(medium\)&utm_source=adwords&utm_medium_ppc&hsa_acc_3922278569&hsa_cam=672881209&hsa_grp=37100490674&hsa_ad=146185118552&hsa_src=g&hsa_tgt=pla-360693893738&hsa_kw=&hsa_mt=&hsa_net=adwords&hsa_ver=3&gclid=Cj0KCQjwgJv4BRCrARIsAB17JI5O9qFOObzUlcS5hI2bIq6IPiT3s1VxtaDBy1C904qiv1 Tpxj-MEUaAhZPEALw_wcB](https://www.ustoolandfastener.com/woodpeckers-saw-gauge-sg-wp/?utm_term=&utm_campaign=ECI+-+Google+Shopping+-+All+Products+(non-mobile)+(non+Brand)(medium)&utm_source=adwords&utm_medium_ppc&hsa_acc_3922278569&hsa_cam=672881209&hsa_grp=37100490674&hsa_ad=146185118552&hsa_src=g&hsa_tgt=pla-360693893738&hsa_kw=&hsa_mt=&hsa_net=adwords&hsa_ver=3&gclid=Cj0KCQjwgJv4BRCrARIsAB17JI5O9qFOObzUlcS5hI2bIq6IPiT3s1VxtaDBy1C904qiv1 Tpxj-MEUaAhZPEALw_wcB); available at least Nov. 26, 2019, 8 pages.

Infinity Cutting Tools iGaging DigiAlign with Track; https://www.infinitytools.com/measuring-and-layout-deals-4137?gclid=Cj0KCQjwgJv4BRCrARIsAB17JI44Q7vb1Mbwir0g5HuKODcdsWtv1CIUuA9hekXyRDRHUTpfodH8-sQaAnCUEALw_wcB; available at least Nov. 26, 2019, 3 pages.

Micro Fence Magnetic Saw Gage; <https://microfence.com/product/magnetic-saw-gage/>; available at least Nov. 26, 2019, 6 pages.

* cited by examiner

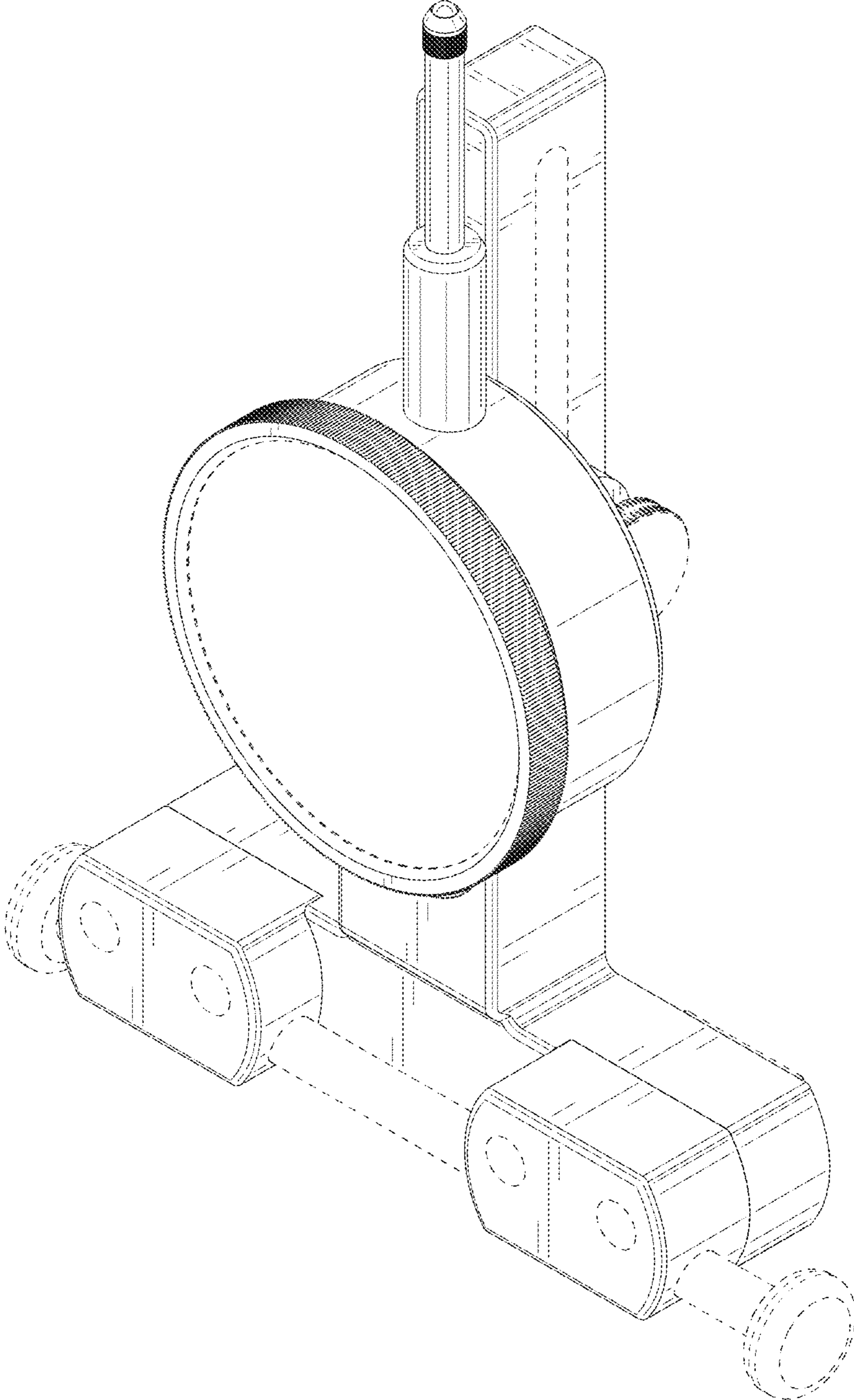


FIG. 1

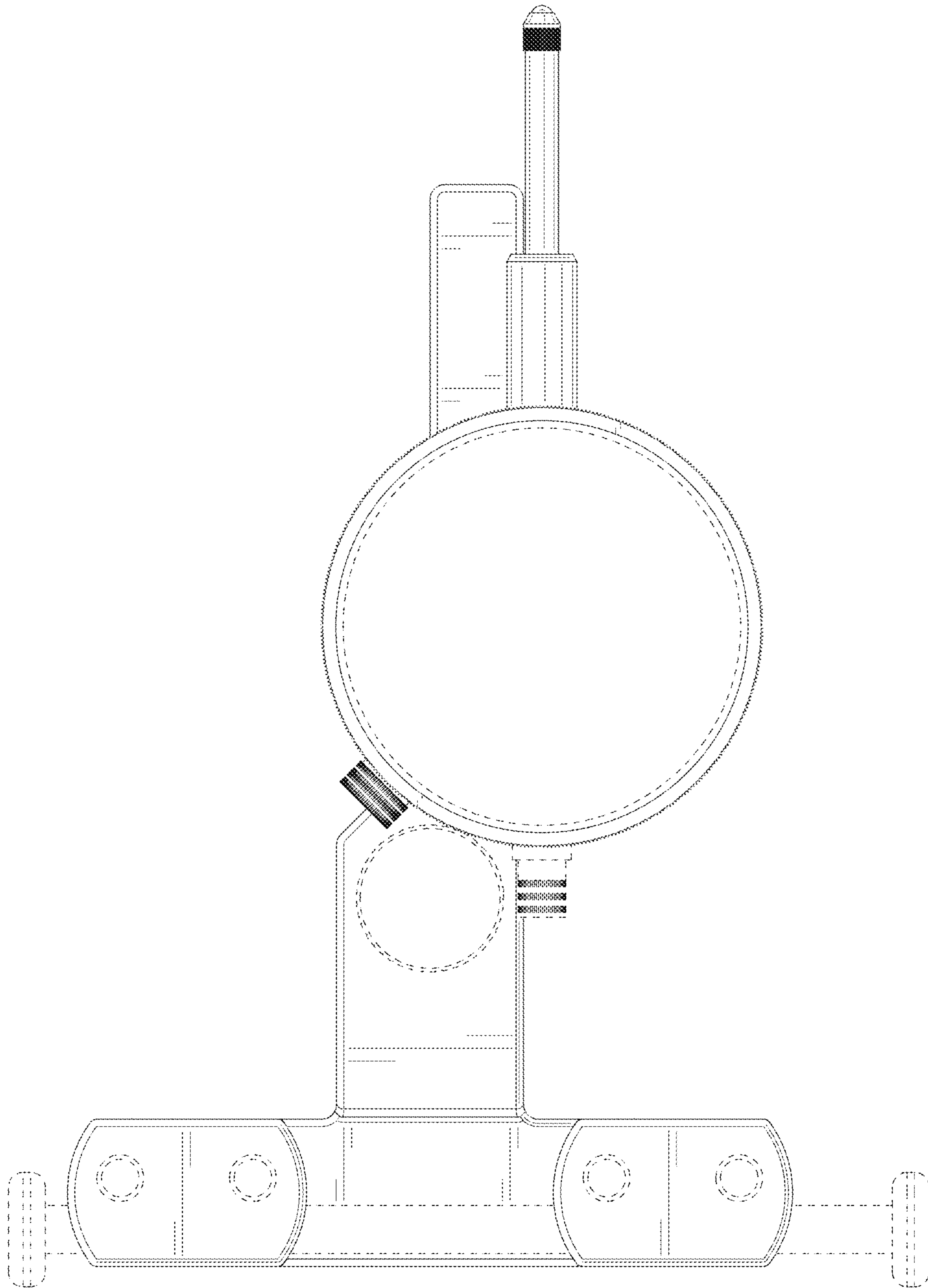


FIG. 2

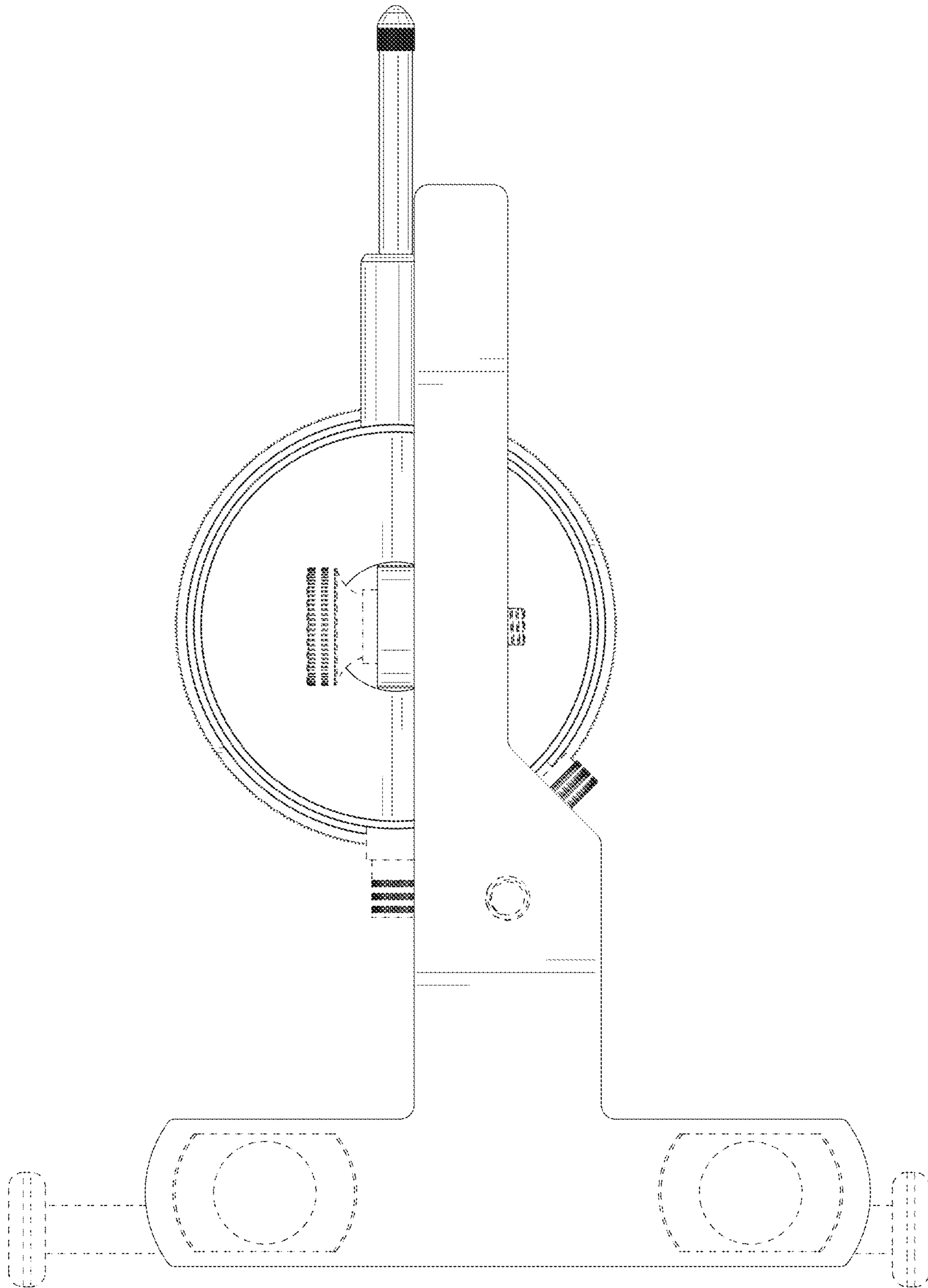


FIG. 3

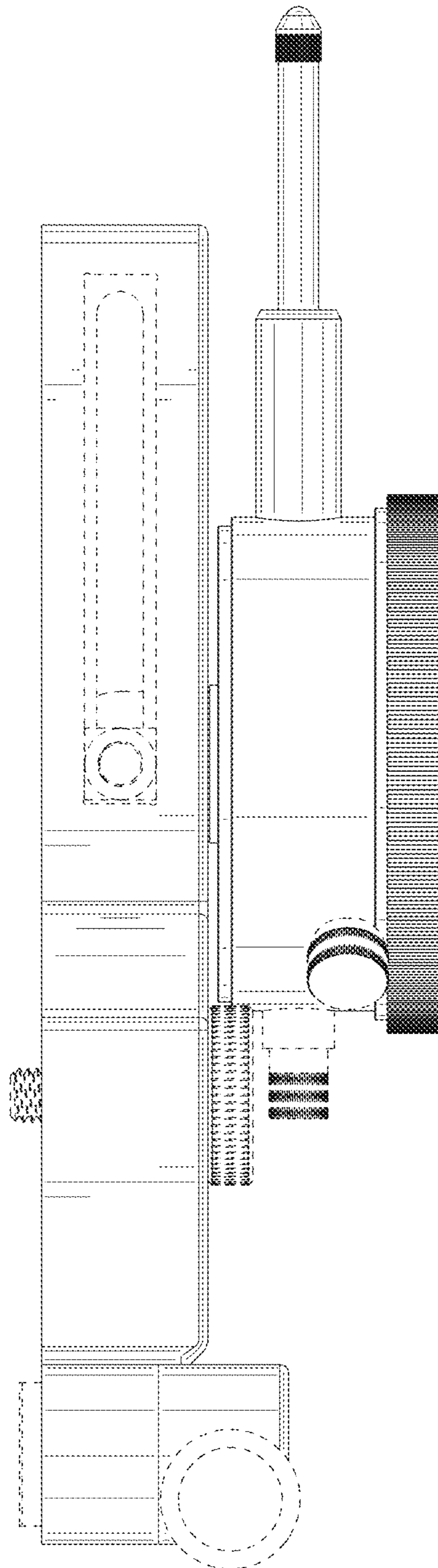


FIG. 4

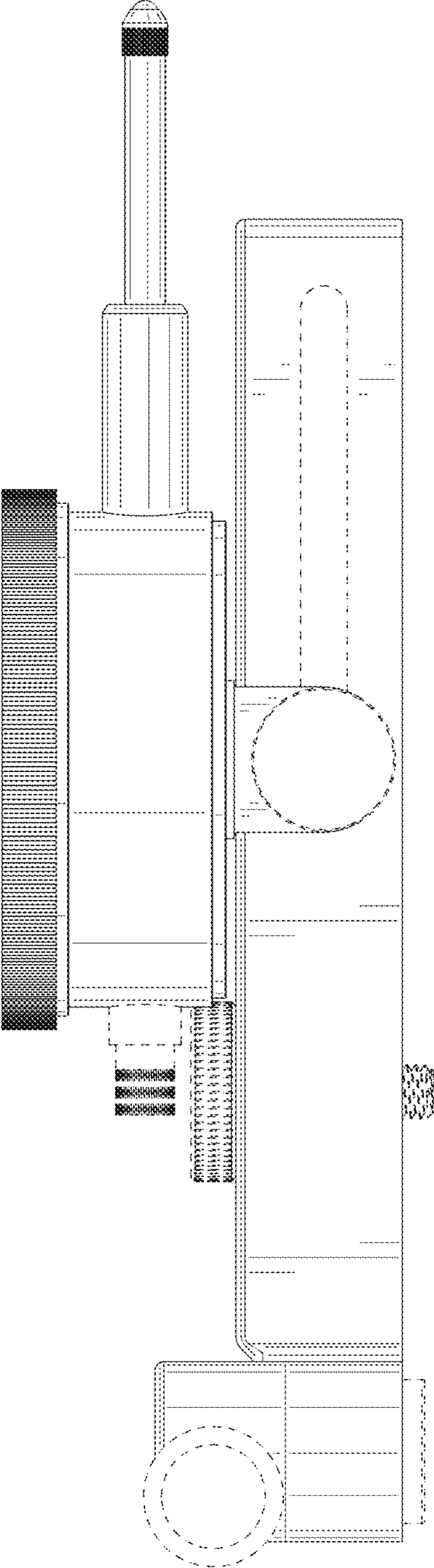


FIG. 5

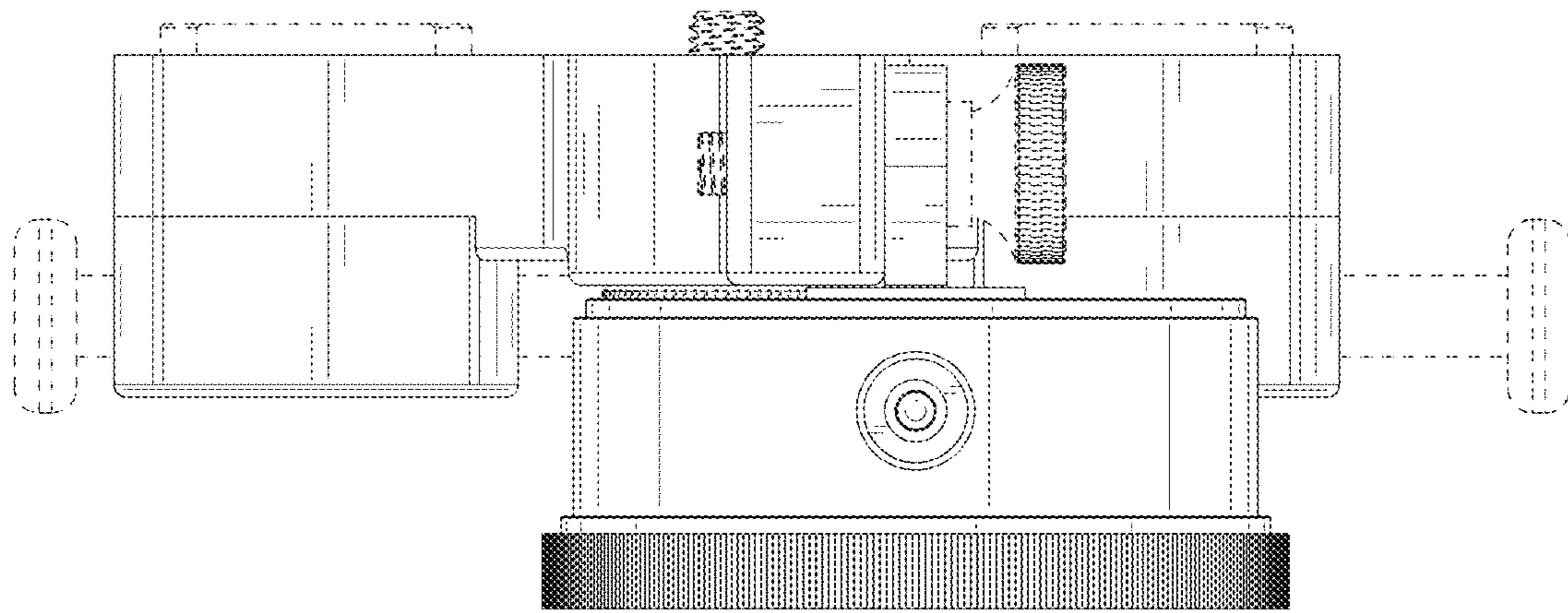


FIG. 6

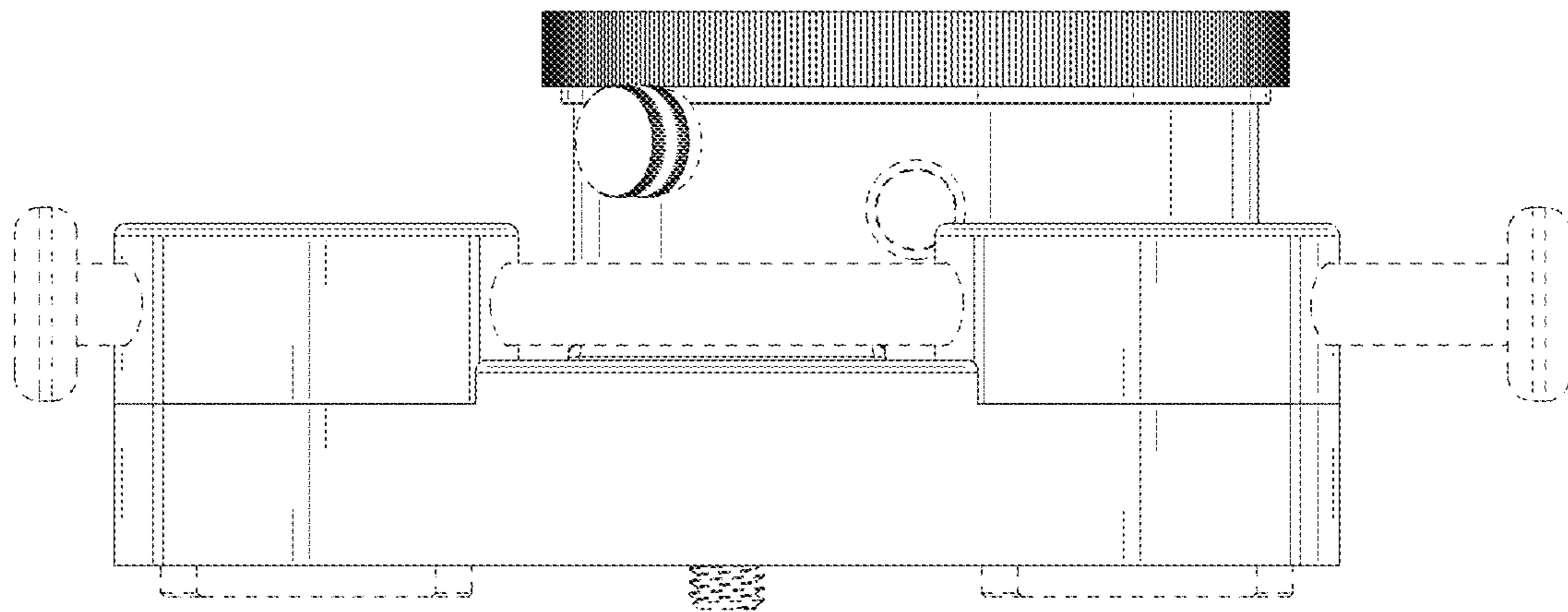


FIG. 7

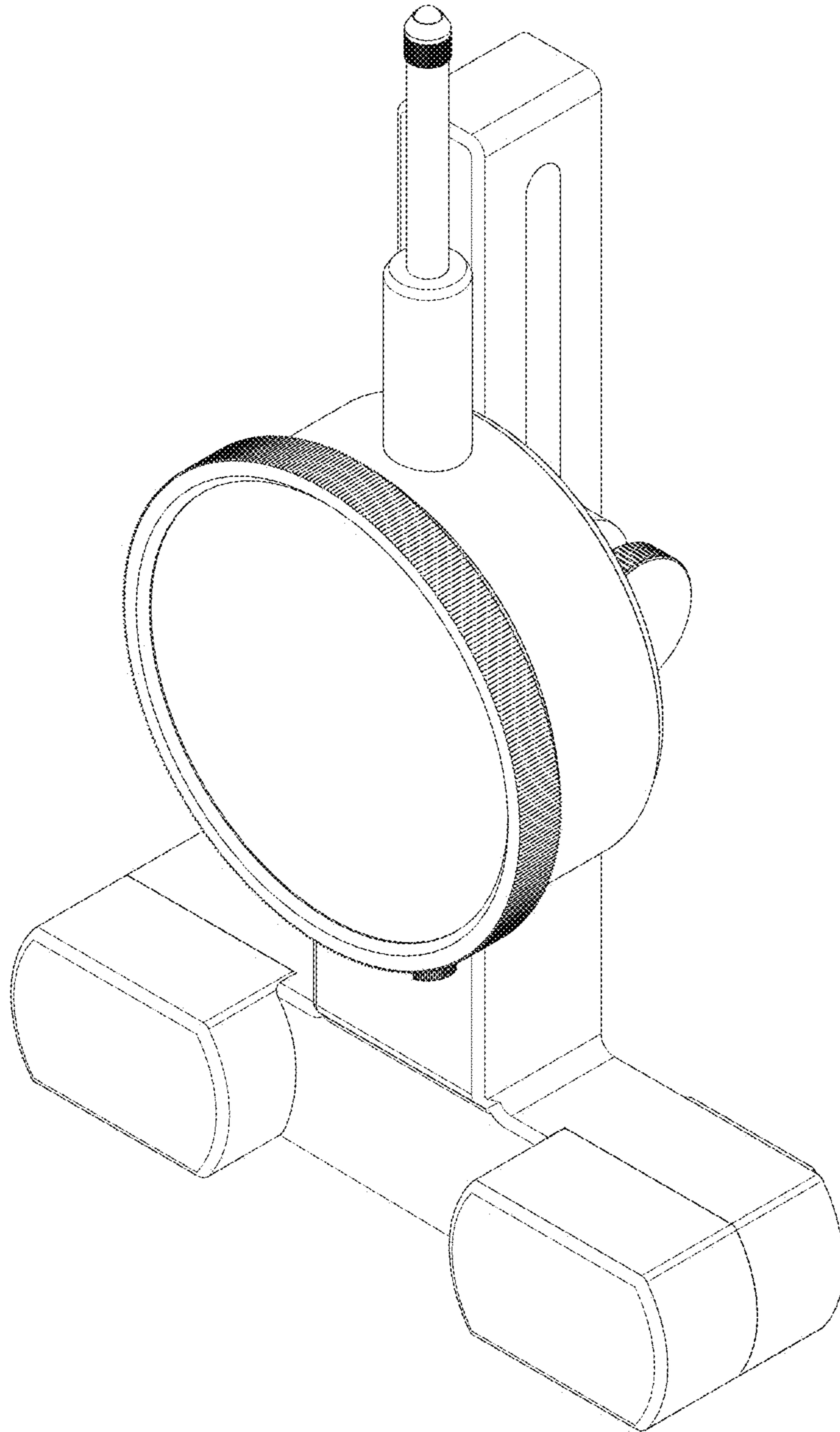


FIG. 8

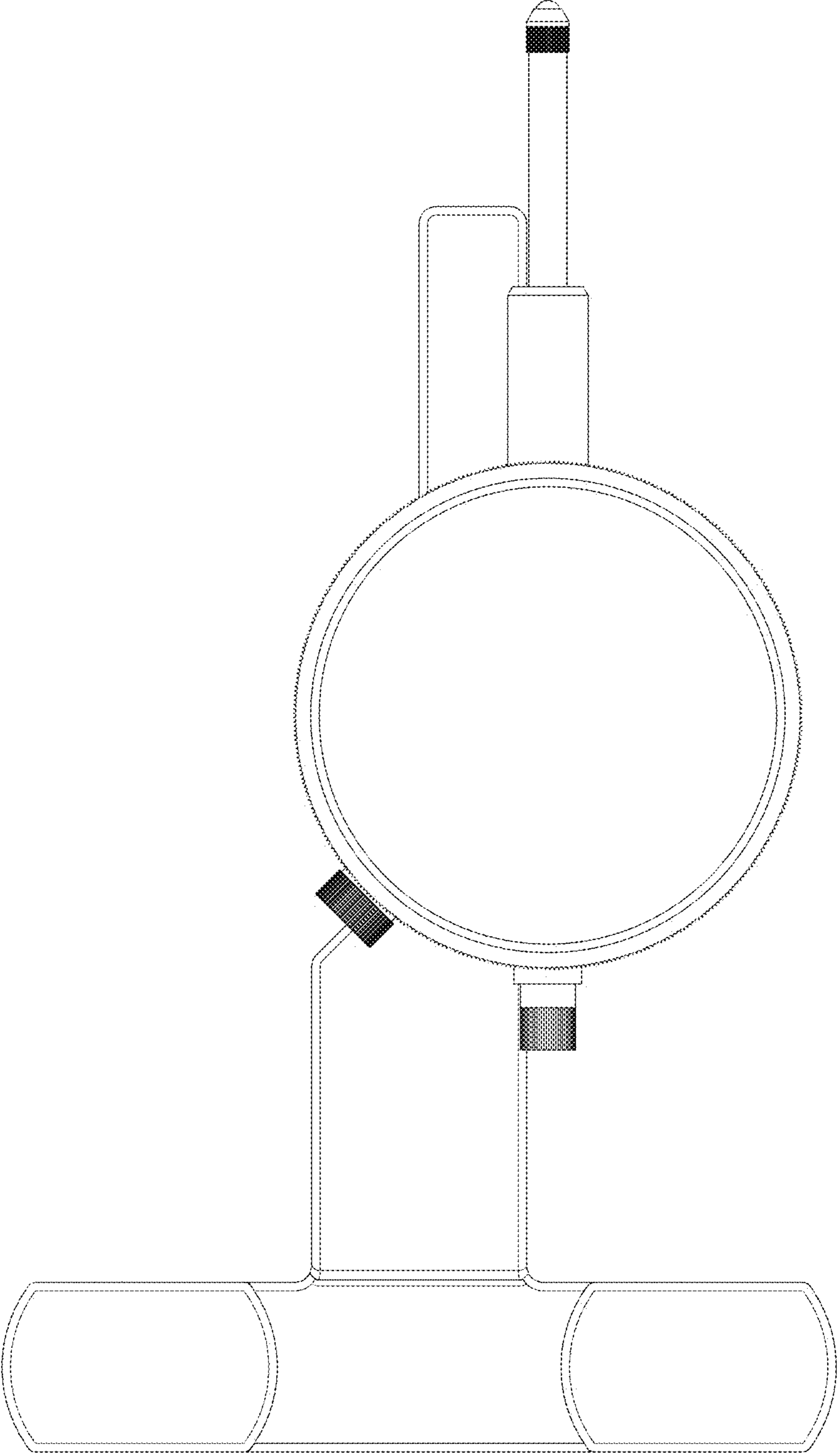


FIG. 9

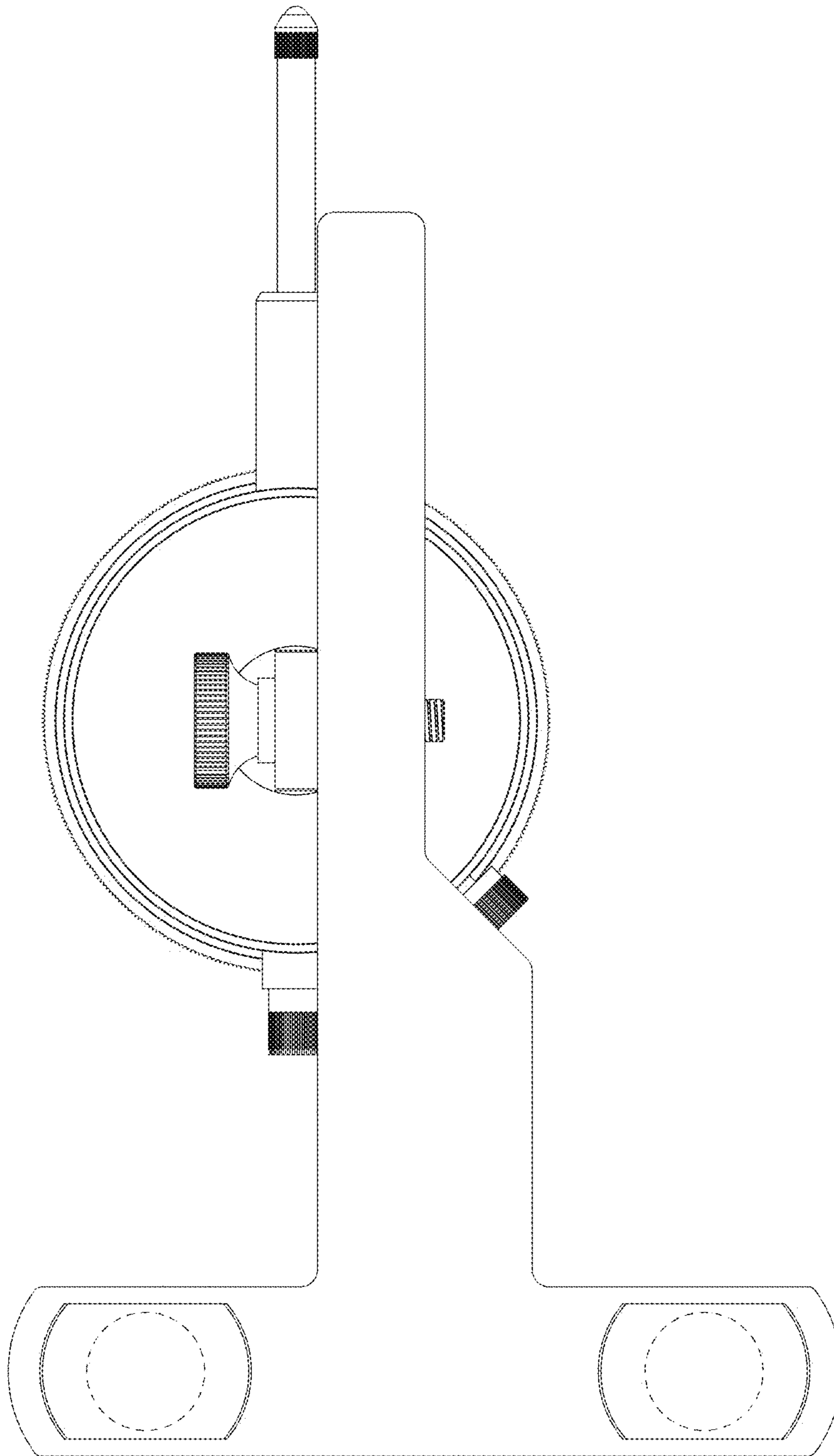


FIG. 10

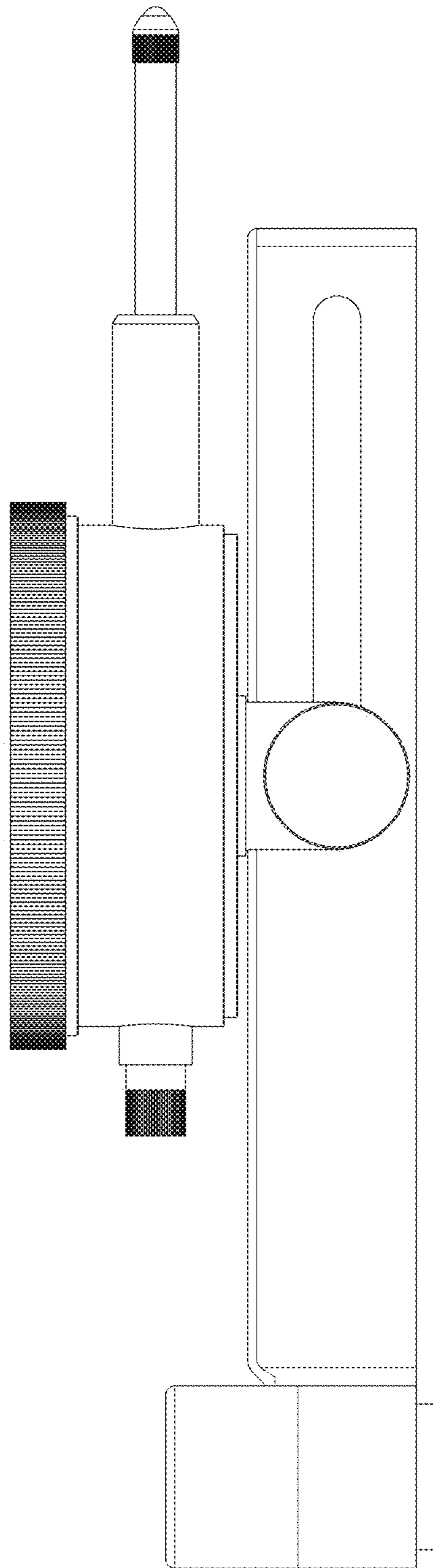


FIG. 11

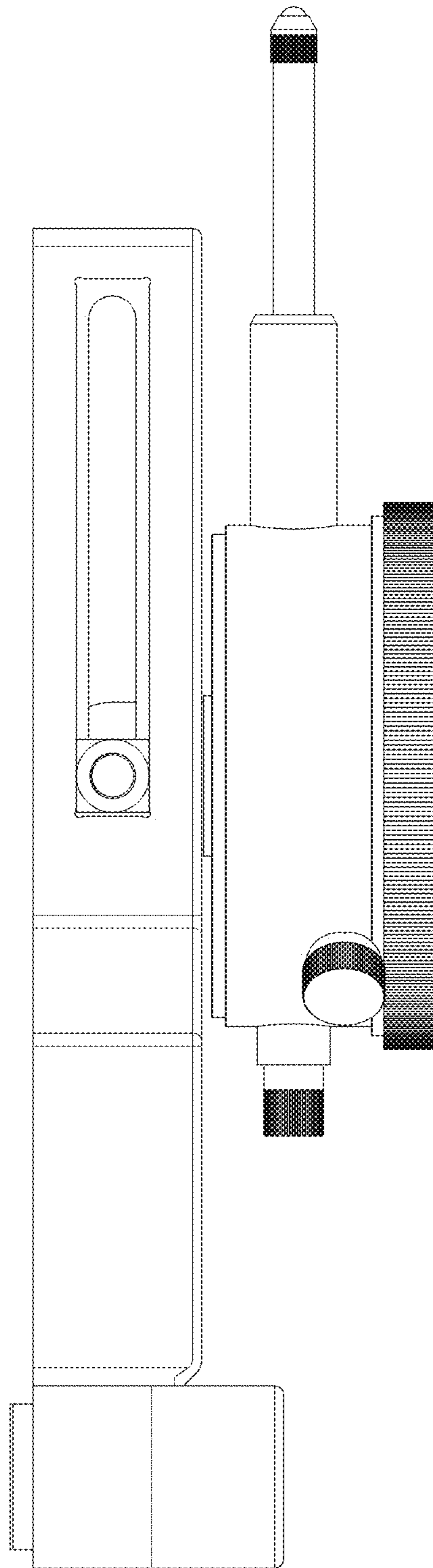


FIG. 12

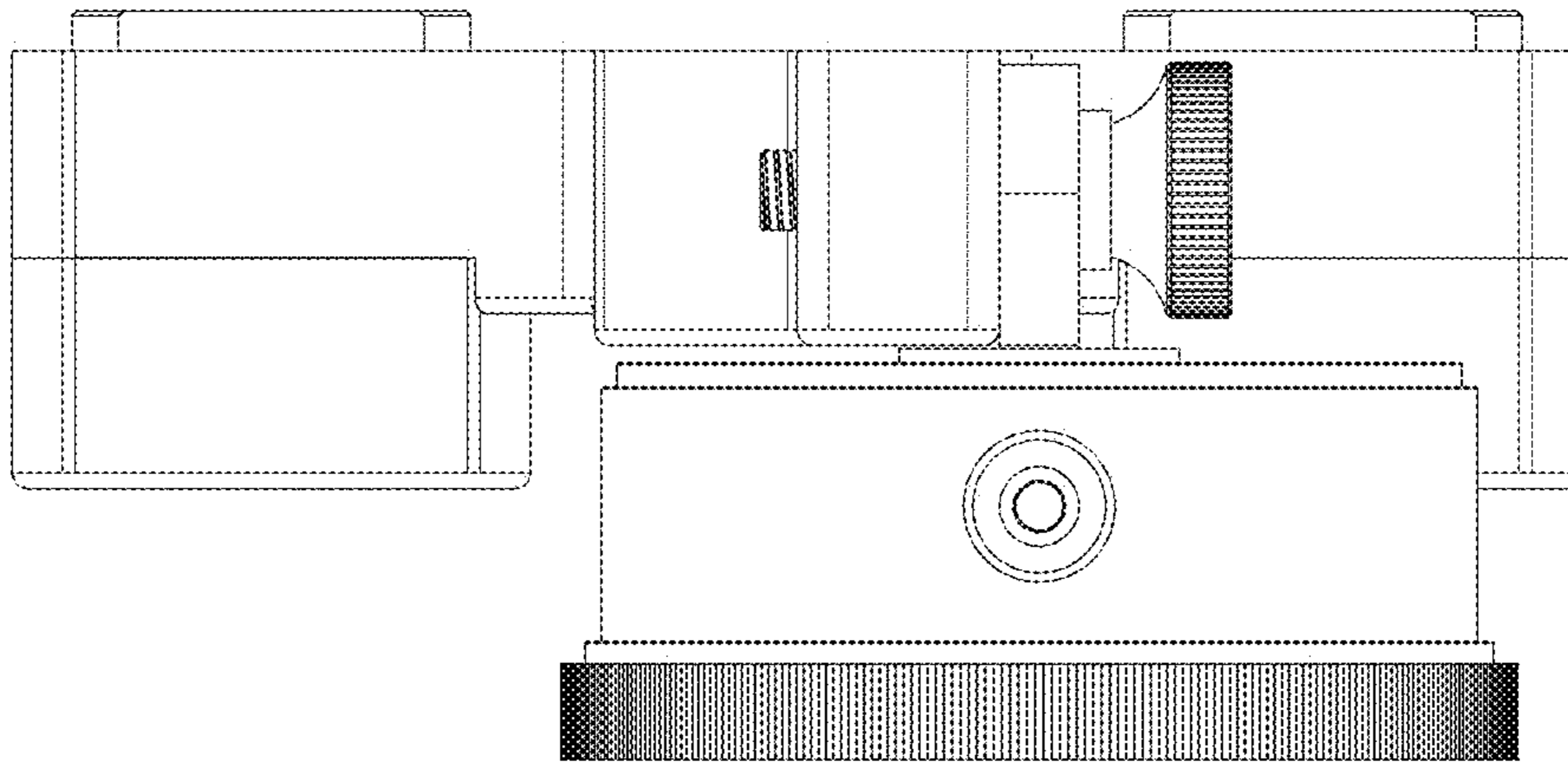


FIG. 13

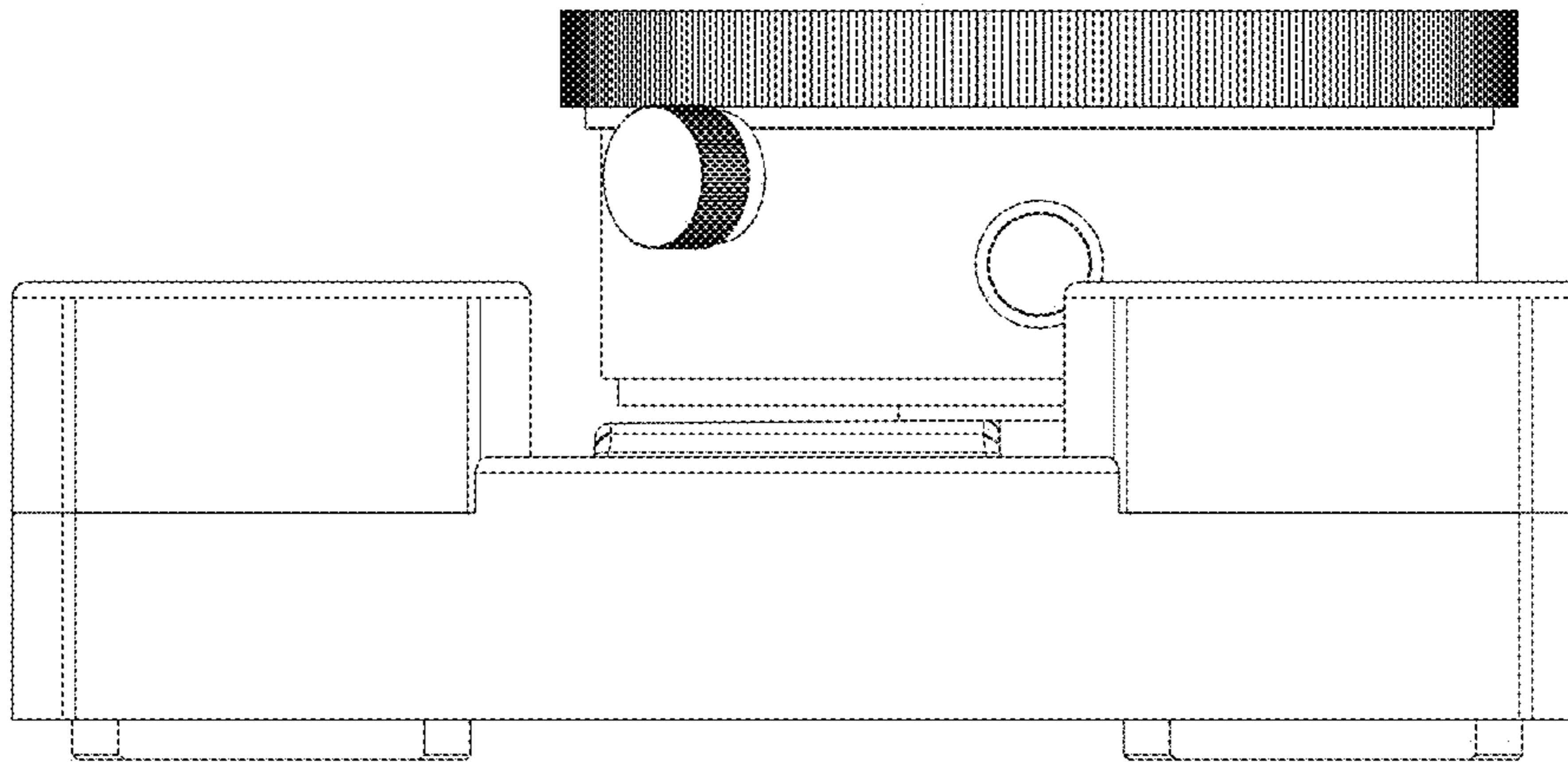


FIG. 14