



US00D977531S

(12) **United States Design Patent**
Mercado Abadines

(10) **Patent No.:** **US D977,531 S**
(45) **Date of Patent:** **** Feb. 7, 2023**

(54) **CONTAINER BASE FOR CONNECTION TO
A BEVERAGE MAKING MACHINE**

(71) Applicants: **LANG Beverages SA, Zug (CH);
Laboratorium Media AG, Zurich (CH)**

(72) Inventor: **Buddy Mercado Abadines, Calamba
(PH)**

(**) **Term: 15 Years**

(21) **Appl. No.: 35/512,613**

(22) **Filed: Mar. 24, 2021**

(80) **Hague Agreement Data**

Int. Filing Date: **Mar. 24, 2021**

Int. Reg. No.: **DM/215646**

Int. Reg. Date: **Mar. 24, 2021**

Int. Reg. Pub. Date: **Sep. 24, 2021**

(51) **LOC (14) Cl. 15-07**

(52) **U.S. Cl.**
USPC D15/89

(58) **Field of Classification Search**
USPC D7/300, 305-310, 311-313, 368, 387,
D7/397-400, 403, 415, 213, 589;
D15/79-83, 89; D20/1, 4, 5
CPC ... A47J 31/407; B67D 1/0021; B67D 1/0029;
B67D 1/0072; B67D 1/0074; B67D
1/0406; B67D 1/1204; B67D 1/1252
See application file for complete search history.

(56) **References Cited**

U.S. PATENT DOCUMENTS

D485,283 S * 1/2004 Shuck D15/89
D697,954 S * 1/2014 Resch D15/83

D760,527 S * 7/2016 Jones D7/300.1
D763,031 S * 8/2016 Liu D7/307
D828,409 S * 9/2018 Choi F25D 25/02
D15/89
D888,112 S * 6/2020 Kim D15/89
D901,559 S * 11/2020 Jeon D15/89
D907,075 S * 1/2021 Kim F25D 25/025
D15/89
D931,912 S * 9/2021 Mochizuki D15/89
D952,700 S * 5/2022 Kang D15/89
D952,702 S * 5/2022 Lu D15/89
D954,767 S * 6/2022 Burke D15/89
D957,481 S * 7/2022 Gochika D15/89

* cited by examiner

Primary Examiner — Michael C Stout
Assistant Examiner — Fritzgerald L Butac

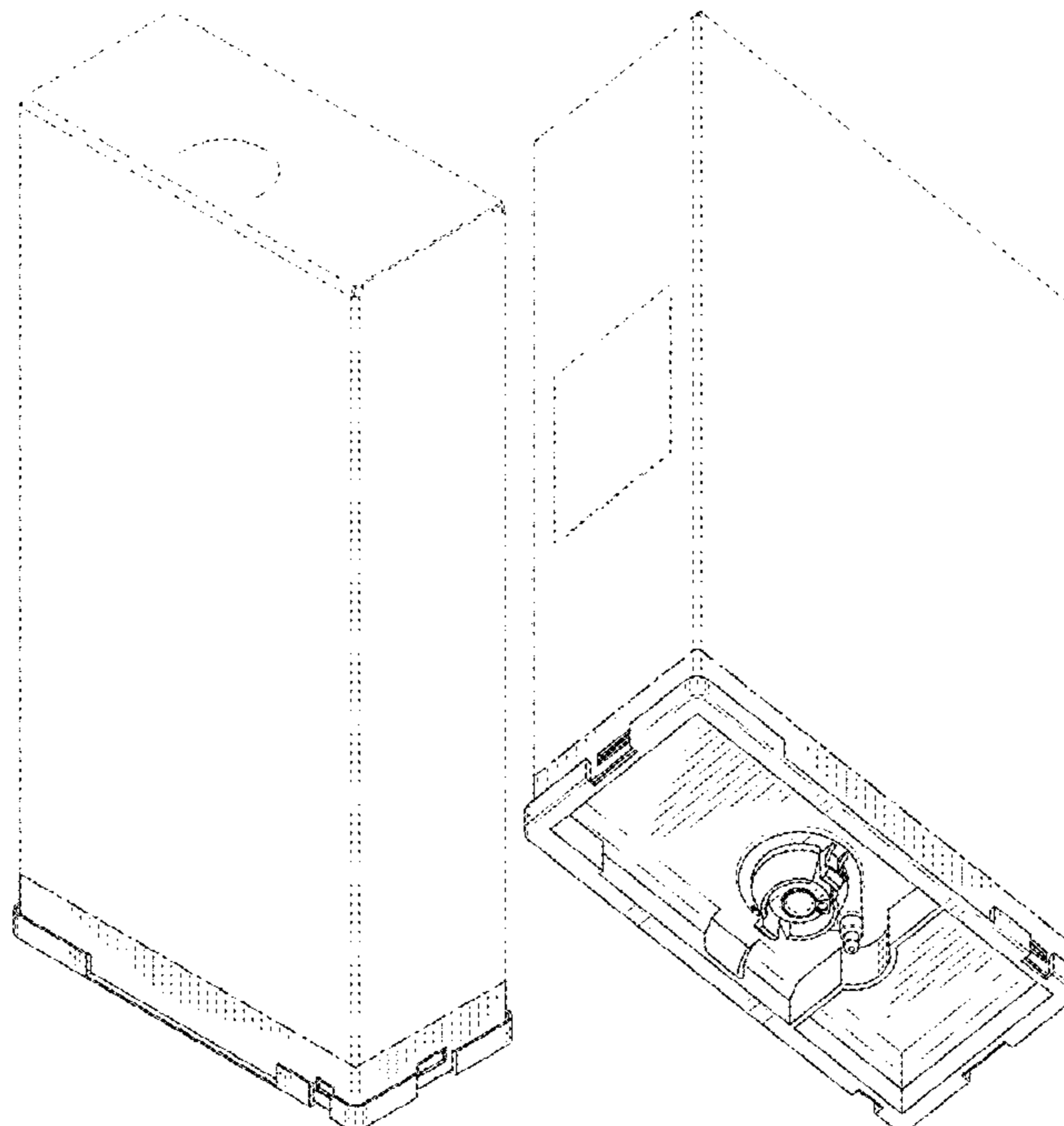
(57) **CLAIM**

The ornamental design for a container base for connection to a beverage making machine, as shown and described.

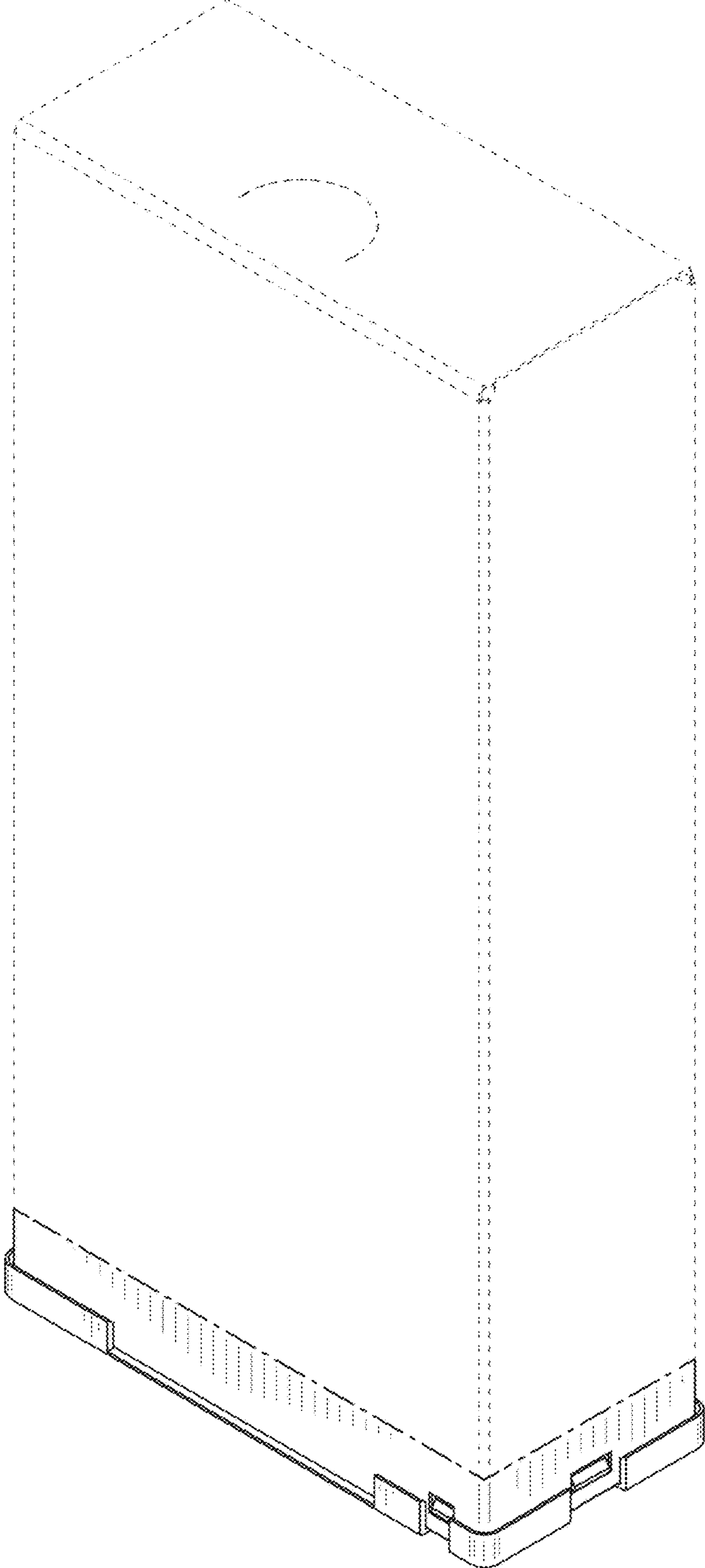
DESCRIPTION

FIG. 1.1 is a top, front and right side perspective view.
FIG. 1.2 is a bottom, front and left side perspective view.
FIG. 1.3 is a bottom, rear and right side perspective view.
FIG. 1.4 is a front elevation view.
FIG. 1.5 is a rear elevation view.
FIG. 1.6 is a left side elevation view.
FIG. 1.7 is a right side elevation view.
FIG. 1.8 is a top plan view.
FIG. 1.9 is a bottom plan view.
Dashed broken lines are used in the drawings to illustrate environmental structure and form no part of the claimed design. The “dash-dot” broken lines show the bounds of the claimed design, and form no part thereof.

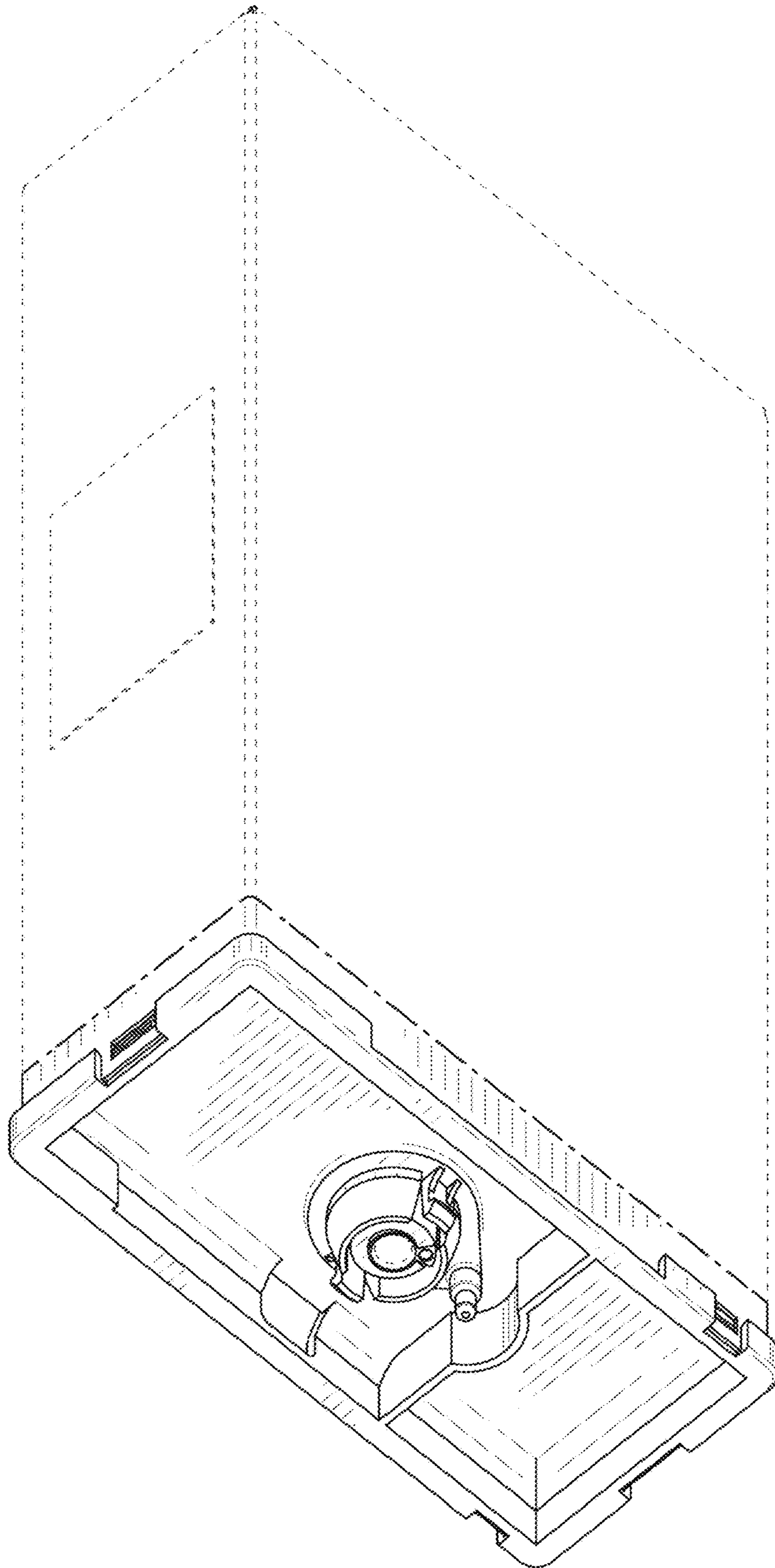
1 Claim, 9 Drawing Sheets



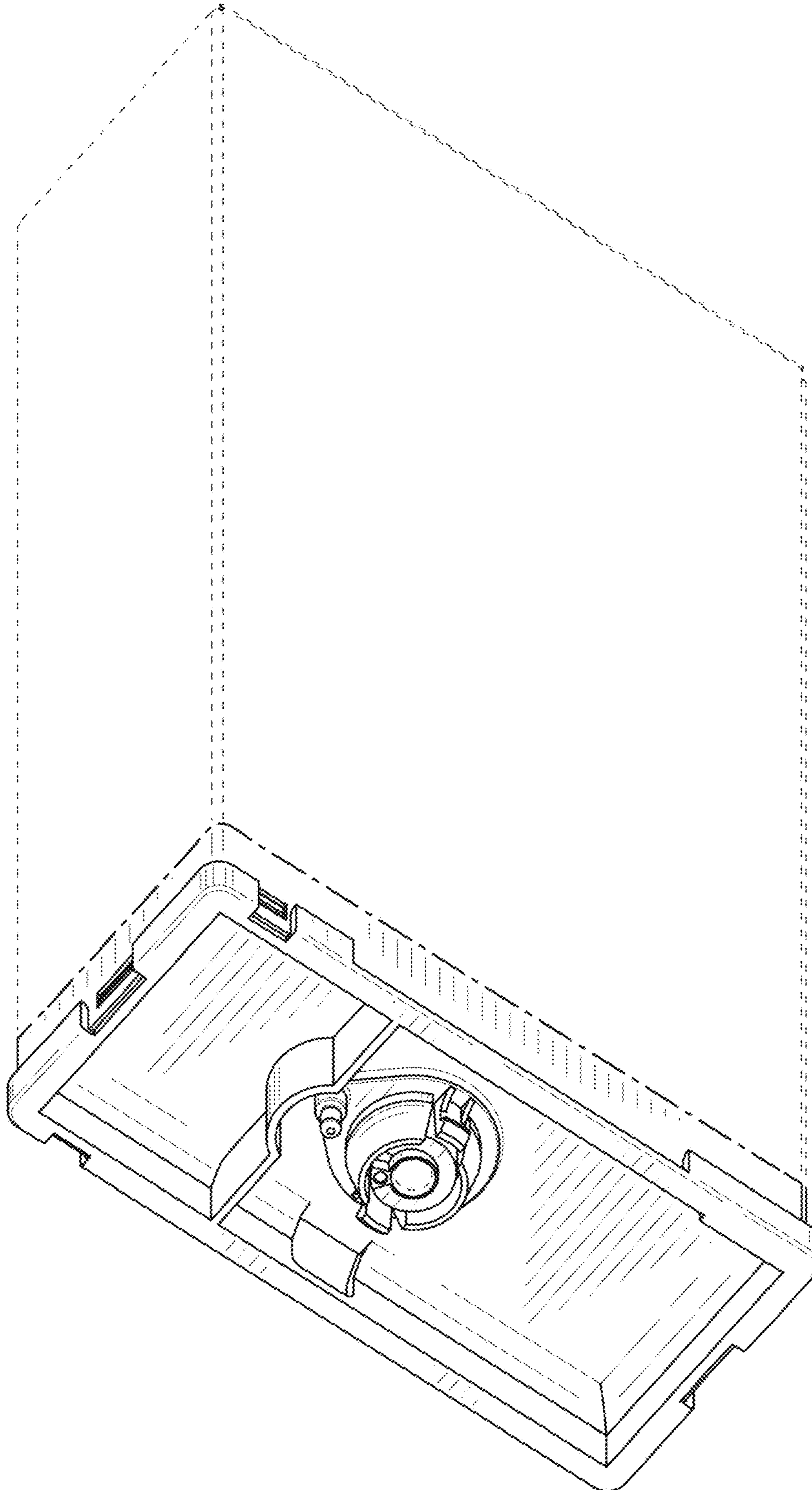
1.1



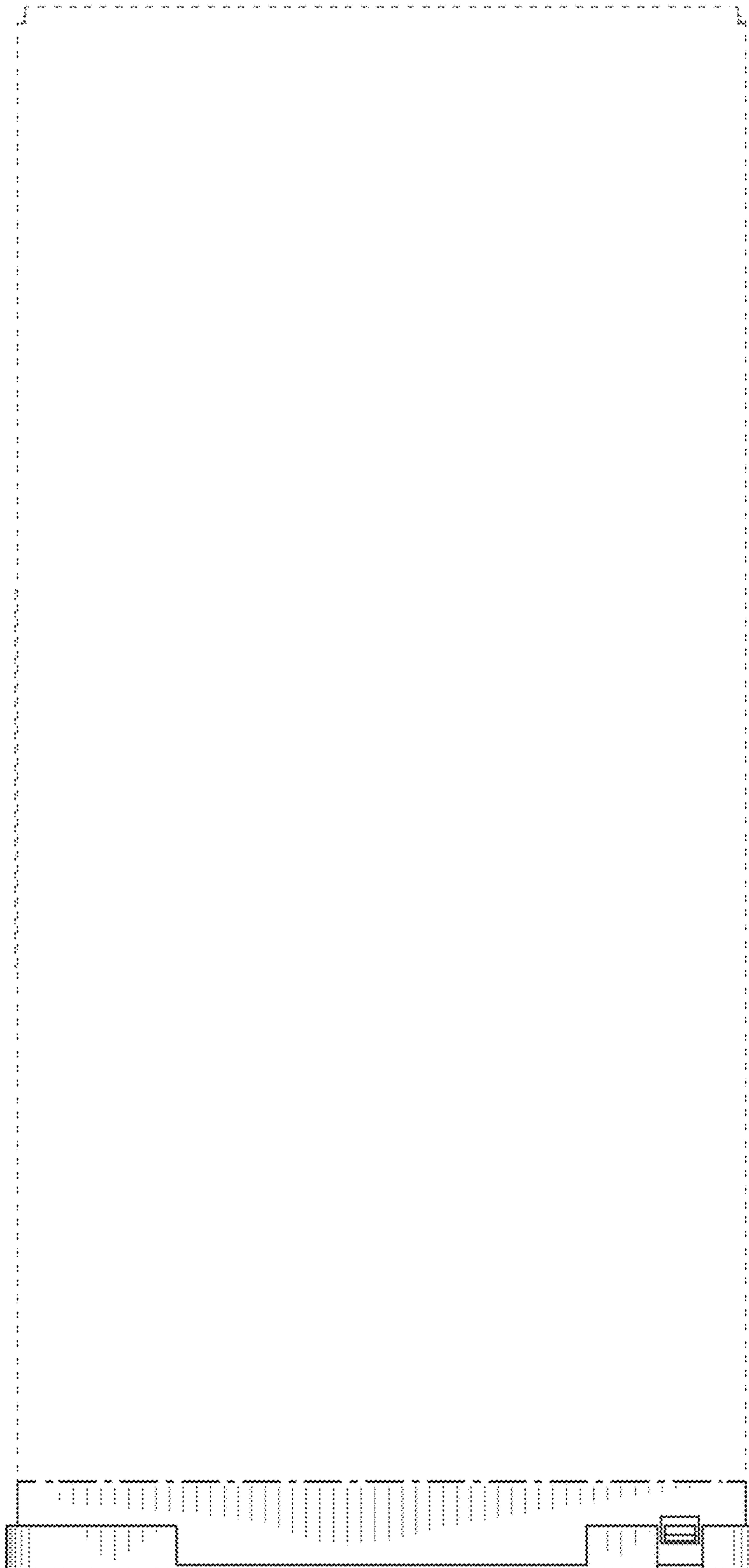
1.2



1.3



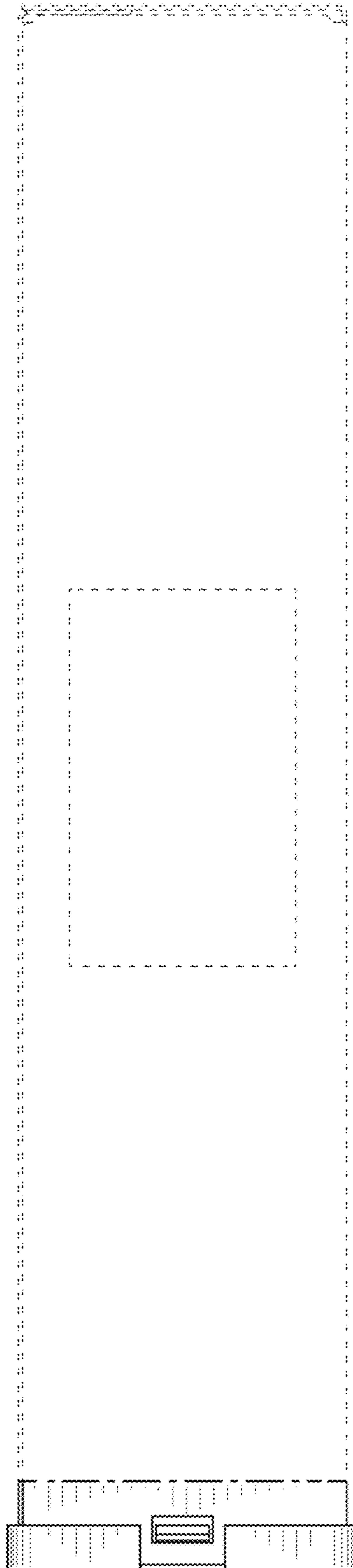
1.4



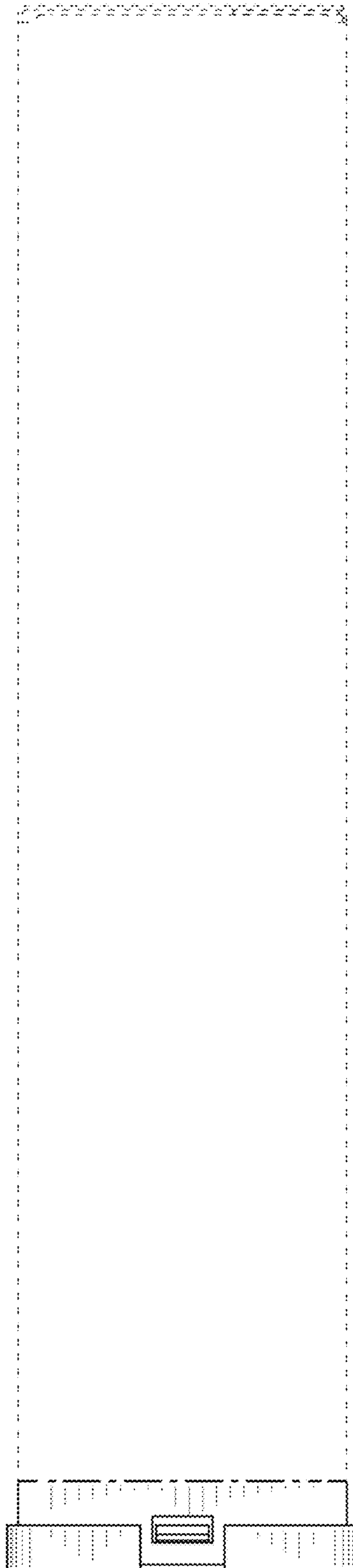
1.5



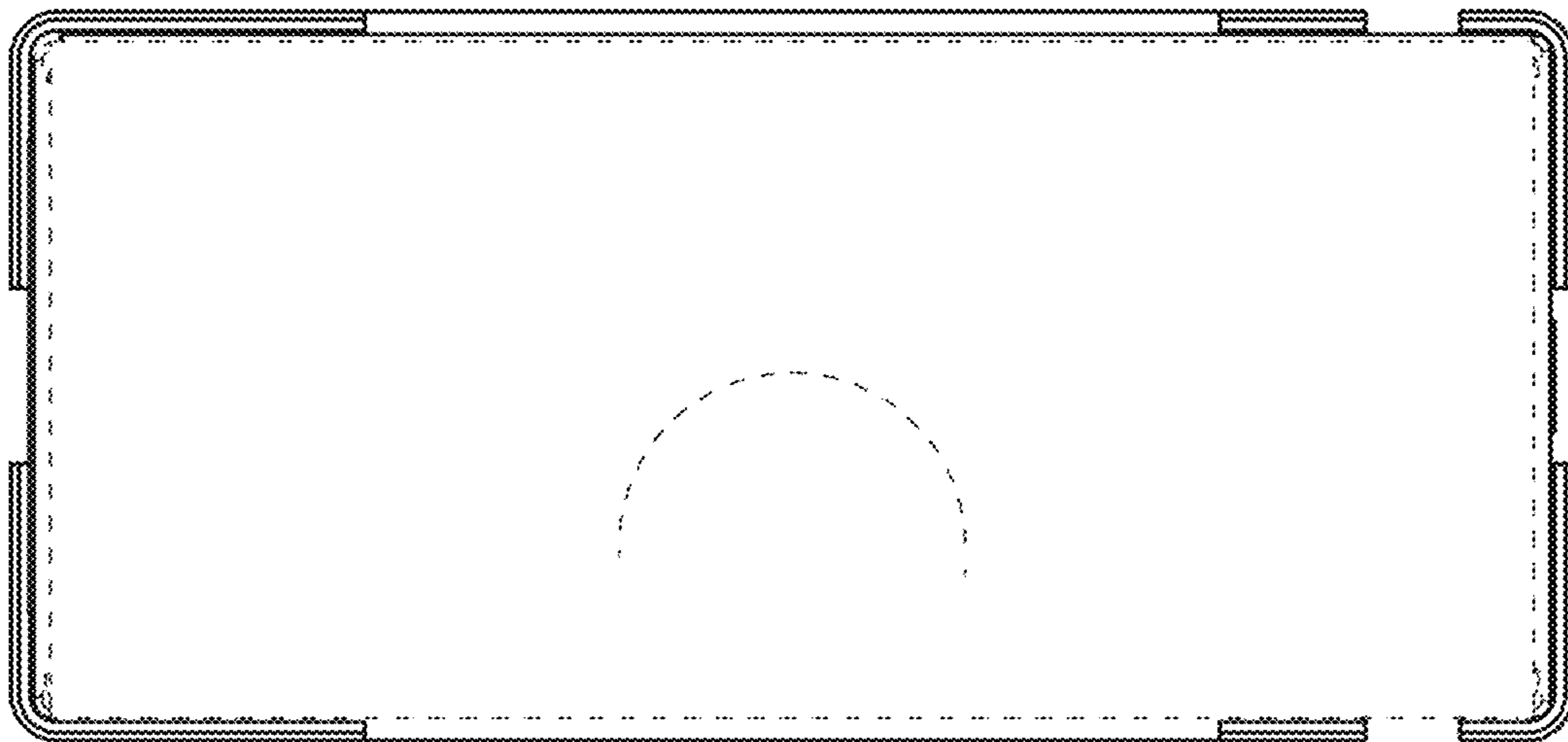
1.6



1.7



1.8



1.9

