



US00D977527S

(12) **United States Design Patent**
Vintzel

(10) **Patent No.:** **US D977,527 S**

(45) **Date of Patent:** **** Feb. 7, 2023**

(54) **AIR COMPRESSOR**

(74) *Attorney, Agent, or Firm* — McAndrews Held & Malloy, Ltd.

(71) Applicant: **Harbor Freight Tools USA, Inc.**,
Calabasas, CA (US)

(72) Inventor: **James Constantine Vintzel**, Jackson,
TN (US)

(57) **CLAIM**

The ornamental design for an air compressor, as shown and described.

(73) Assignee: **HARBOR FREIGHT TOOLS USA, INC.**, Calabasas, CA (US)

(**) Term: **15 Years**

DESCRIPTION

(21) Appl. No.: **29/785,300**

FIG. 1 is a top and front perspective view of an air compressor showing my new design according to a first embodiment;

(22) Filed: **May 25, 2021**

FIG. 2 is a front elevation view thereof;

(51) **LOC (14) Cl.** **15-02**

FIG. 3 is a rear elevation thereof;

(52) **U.S. Cl.**

FIG. 4 is a right side elevation view thereof;

USPC **D15/9**

FIG. 5 is a left side elevation view thereof;

(58) **Field of Classification Search**

USPC D13/103, 112; D15/7-9

FIG. 6 is a top plan view thereof;

CPC .. E03B 5/00; F04B 41/02; F04B 41/06; F04B

FIG. 7 is a bottom plan view thereof;

35/04; F04B 35/06; F04B 25/00; F04B

FIG. 8 is a top and rear perspective view thereof;

17/06; F04B 17/03; F04B 53/18; F04B

FIG. 9 is another top and front perspective view thereof, showing a handle in a raised position;

(Continued)

FIG. 10 is another top and rear perspective view thereof, showing the handle in a raised position;

(56) **References Cited**

U.S. PATENT DOCUMENTS

FIG. 11 is a top and front perspective view of an air compressor showing my new design according to a second embodiment;

D444,798 S * 7/2001 Morgan D15/9

FIG. 12 is a front elevation view thereof;

D475,721 S * 6/2003 Harper D15/9

FIG. 13 is a rear elevation thereof;

D579,462 S * 10/2008 Leasure D15/7

FIG. 14 is a right side elevation view thereof;

(Continued)

FIG. 15 is a left side elevation view thereof;

OTHER PUBLICATIONS

FIG. 16 is a top plan view thereof;

Jimmy's Garage, New! Harbor Freight McGraw 3-Gallon Oil-less Pancake Compressor Tests+Full Review, (posted Jan. 4, 2021), YouTube.com, URL:<<https://www.youtube.com/watch?v=WY4pjjD-bBw>> (Year: 2021).*

FIG. 17 is a bottom plan view thereof;

(Continued)

FIG. 18 is a top and rear perspective view thereof;

FIG. 19 is another top and front perspective view thereof, showing a handle in a raised position; and,

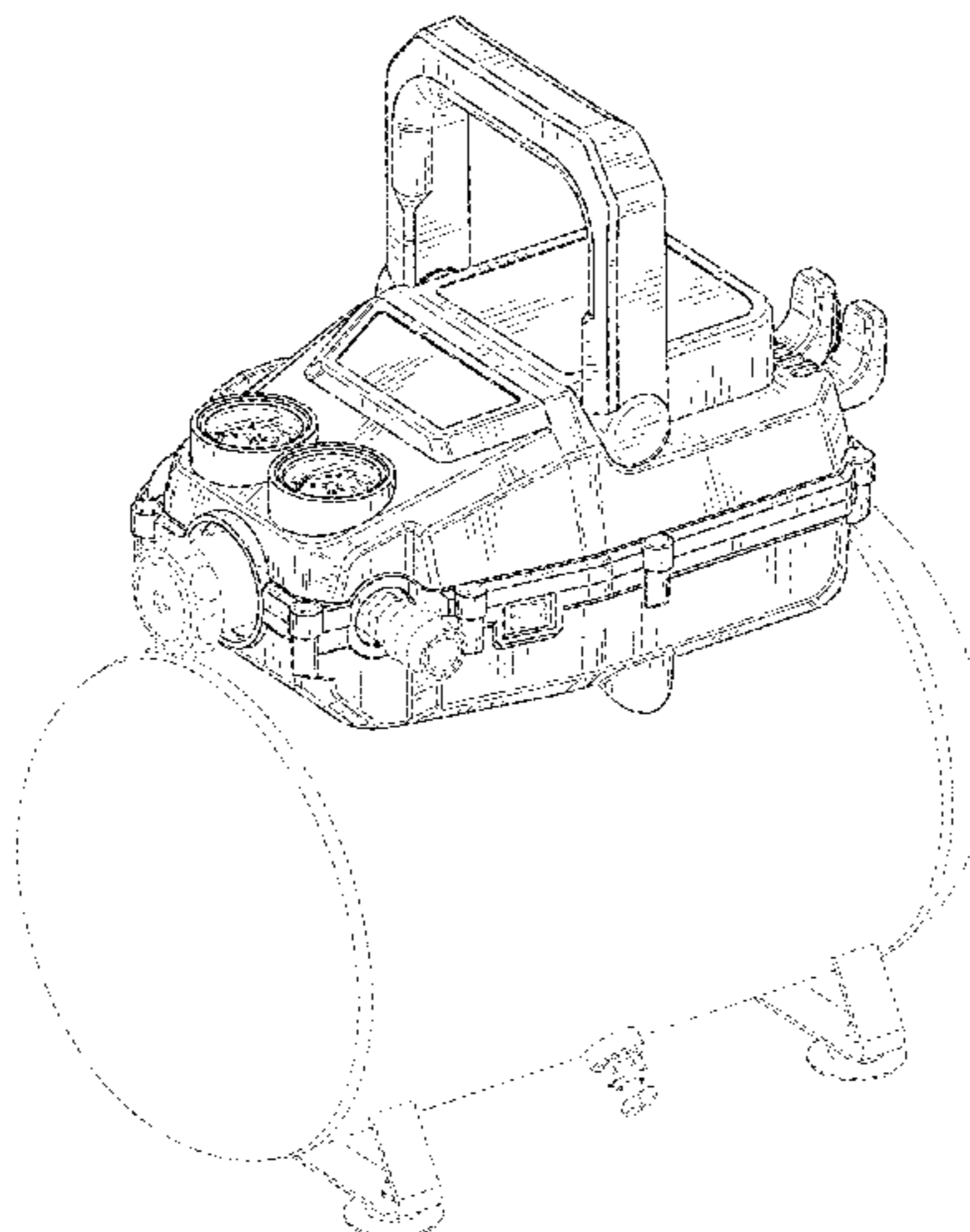
Primary Examiner — Calvin E Vasant

Assistant Examiner — Mark T. Philipps

FIG. 20 is another top and rear perspective view thereof, showing the handle in a raised position.

The dashed broken lines in the figures illustrate portions of the air compressor that form no part of the claimed design.

1 Claim, 20 Drawing Sheets



(58) **Field of Classification Search**

CPC 23/00; F04B 41/00; F04C 2210/221; F04C
2240/30

See application file for complete search history.

(56) **References Cited**

U.S. PATENT DOCUMENTS

D585,460	S	*	1/2009	Plunk	D15/9
D588,612	S	*	3/2009	Steinfels	D15/7
D730,945	S	*	6/2015	Leasure	D15/9
10,451,050	B2	*	10/2019	Thackery	F04B 35/06
D898,776	S	*	10/2020	Gao	D15/9
D902,259	S	*	11/2020	Vintzel	D15/7
D947,252	S	*	3/2022	Francis	D15/7
D947,903	S	*	4/2022	Francis	D15/7
D949,203	S	*	4/2022	Qiao	D15/7

OTHER PUBLICATIONS

Bostitch, Pancake Air Compressor—Oil Free—6 Gallon, (first available Mar. 10, 2015), Amazon.com, URL:<<https://www.amazon.com/Bostitch-BTFP02012-Gallon-Oil-Free-Compressor/dp/B00UHNM1R0/>> (Year: 2015).*

Central Pneumatic, 1/3 Horsepower 3 Gallon 100 PSO Oil less Pancake Air Compressor, (first available Oct. 1, 2011), Amazon.com, URL:<<https://www.amazon.com/CENTRAL-PNEUMATIC-Neighborhood-Corner-Store/dp/B01LWUJZQ4/>> (Year: 2011).*

* cited by examiner

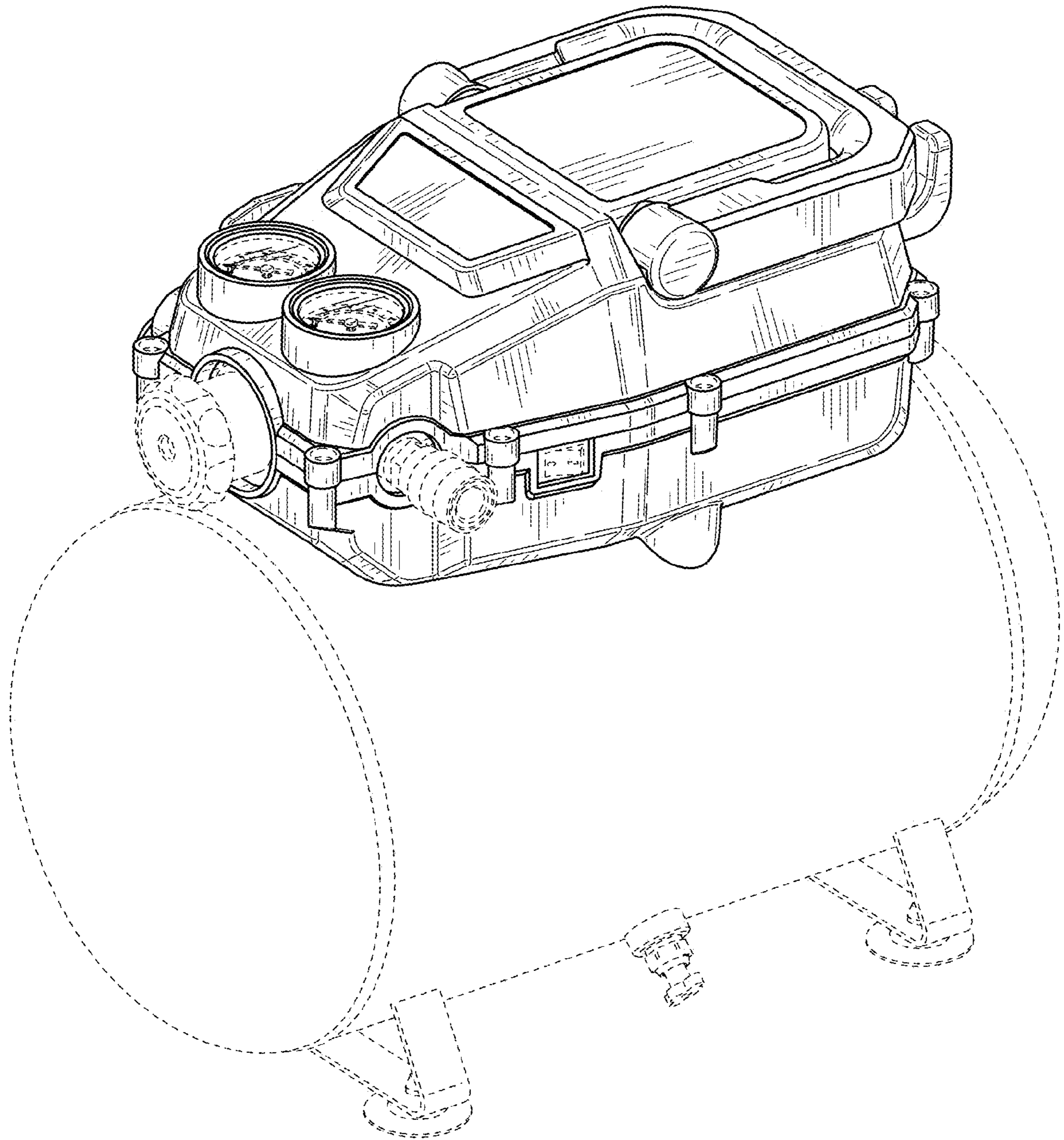


FIG. 1

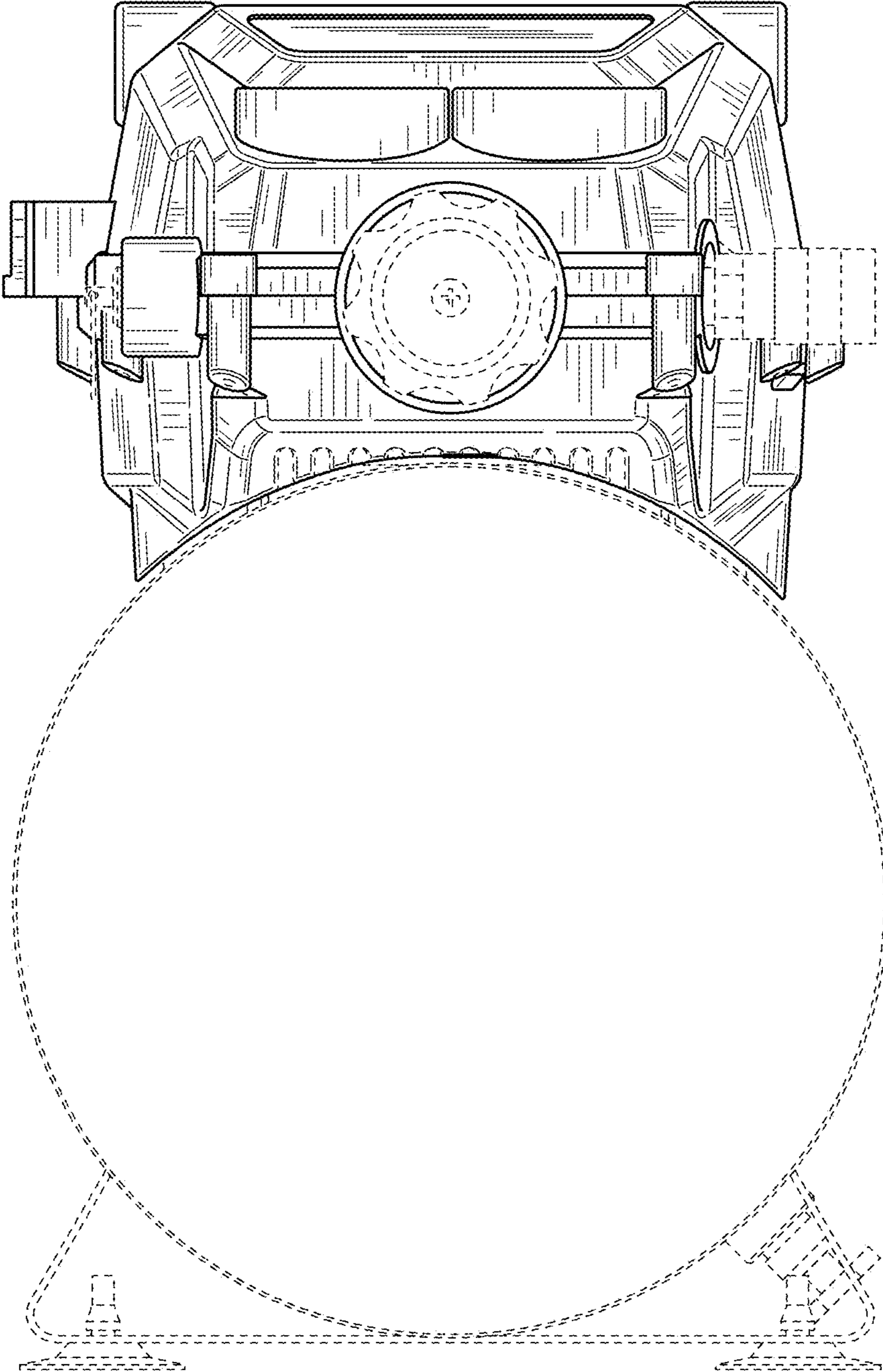


FIG. 2

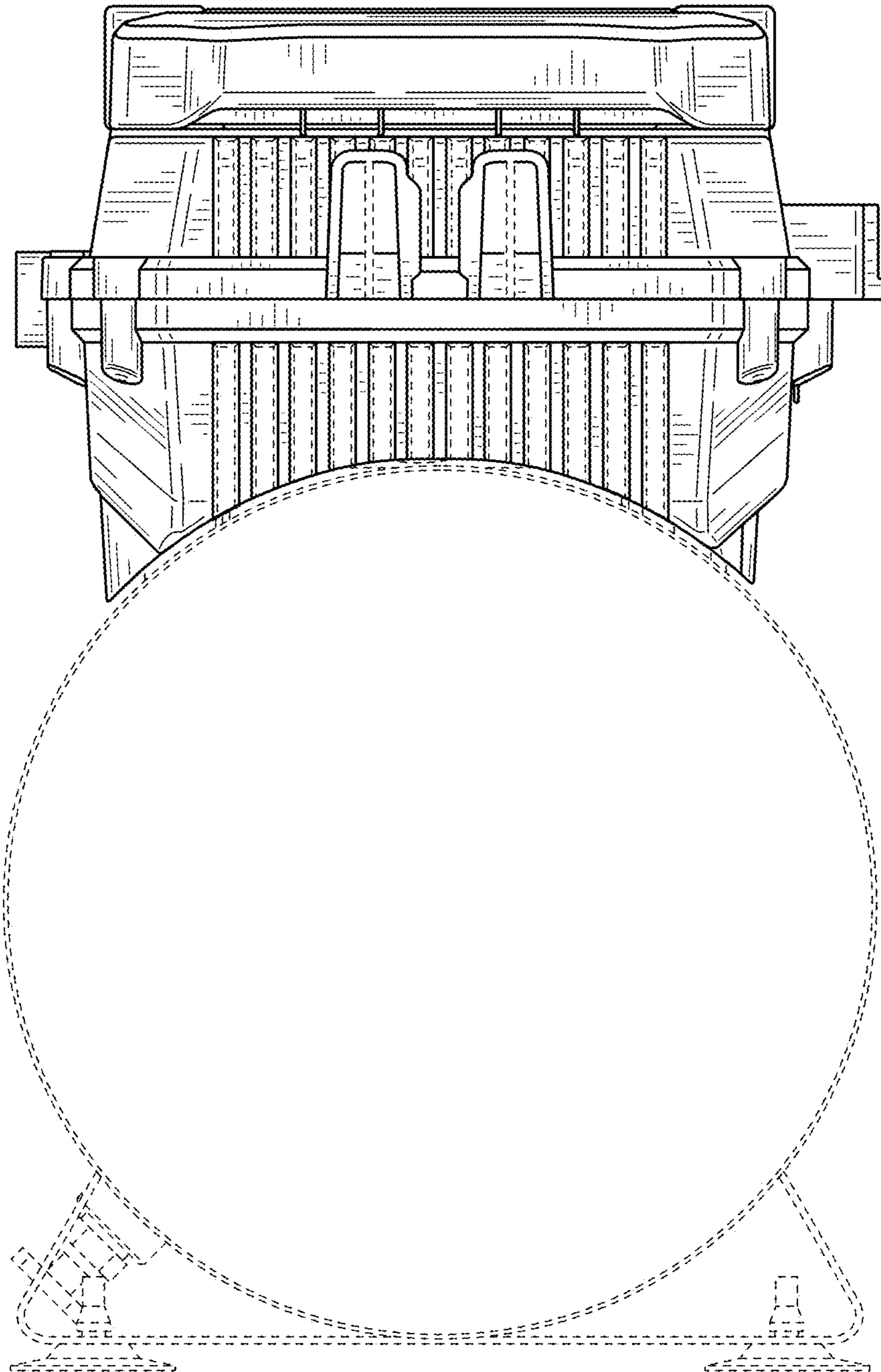


FIG. 3

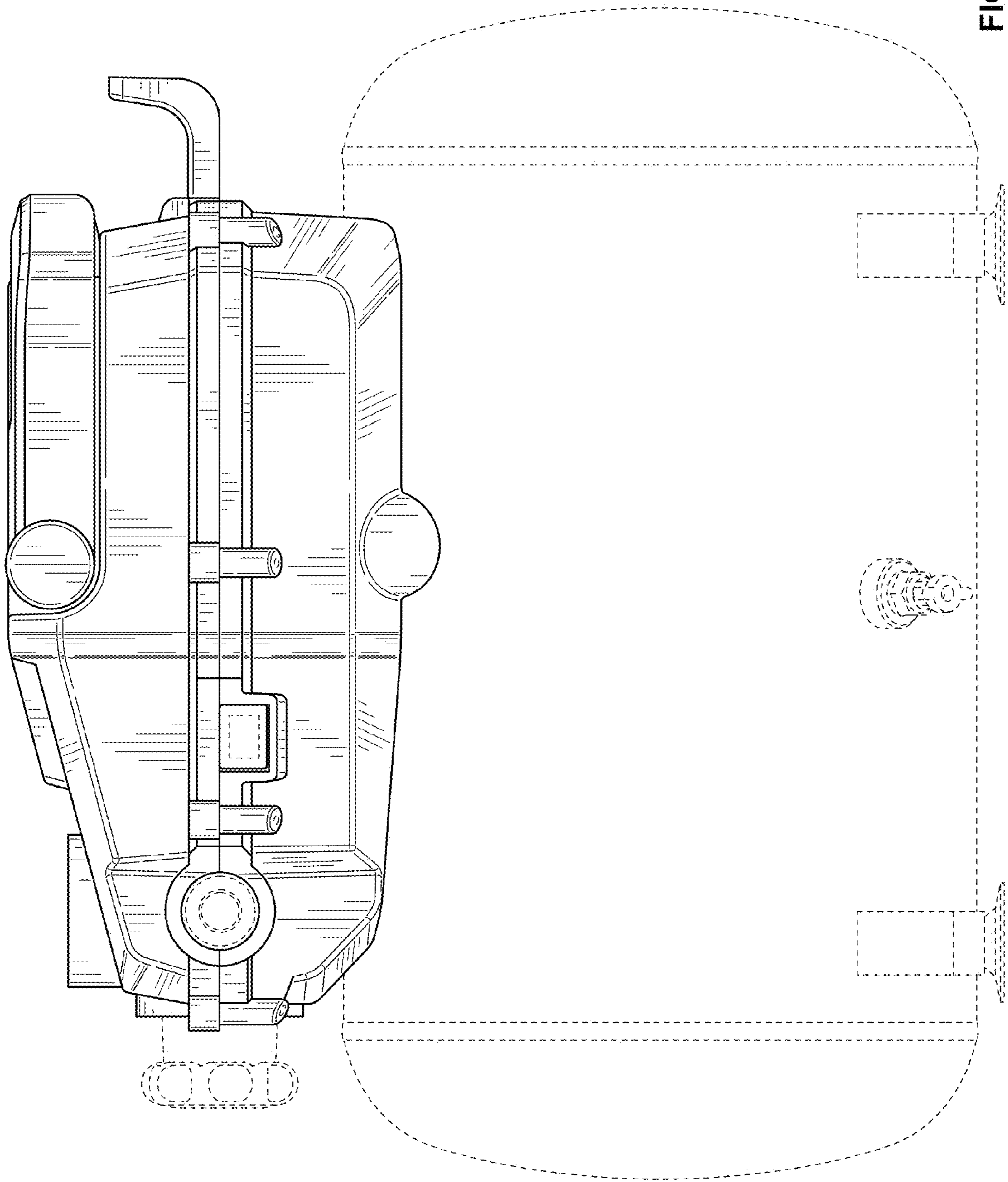


FIG. 4

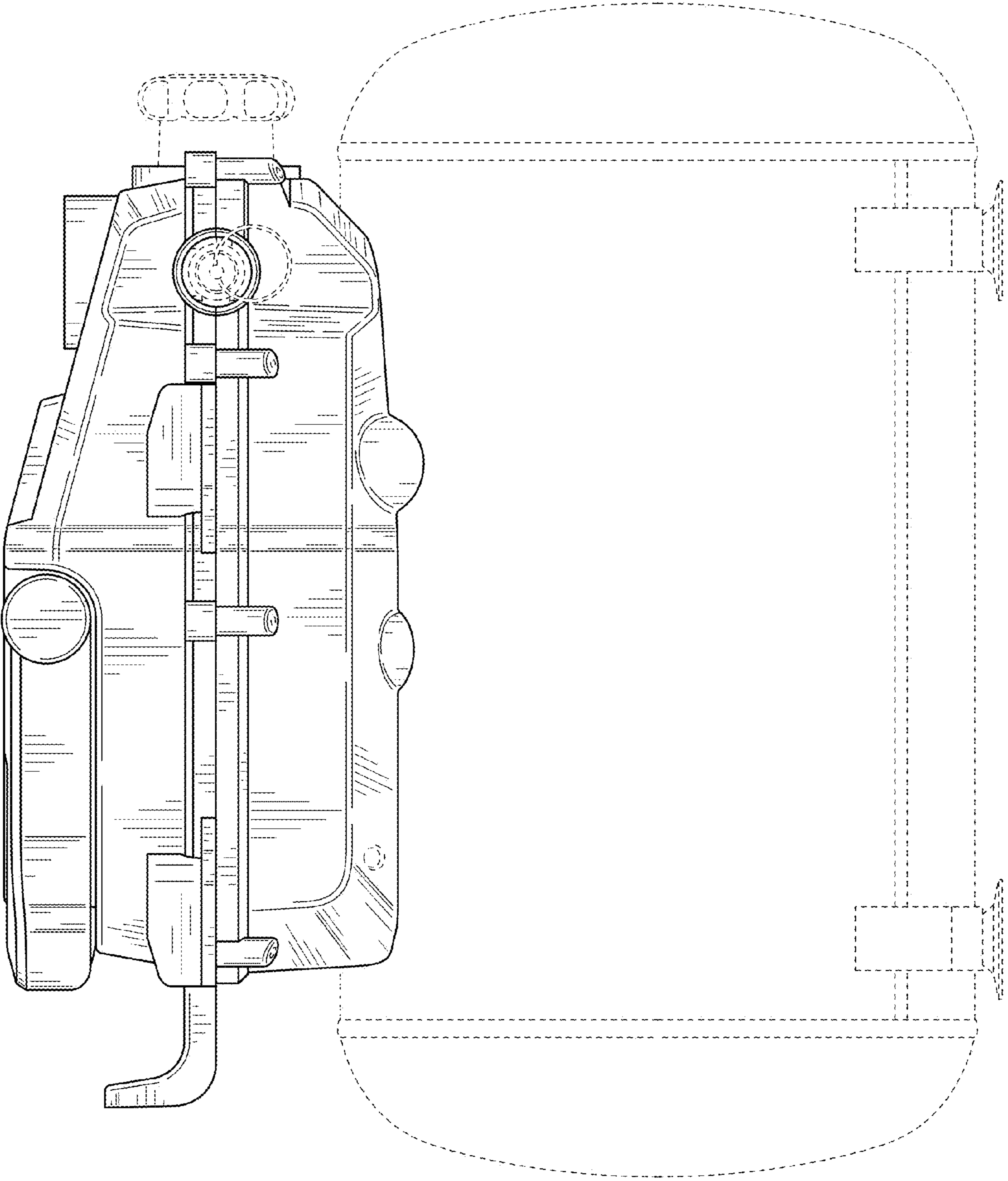


FIG. 5

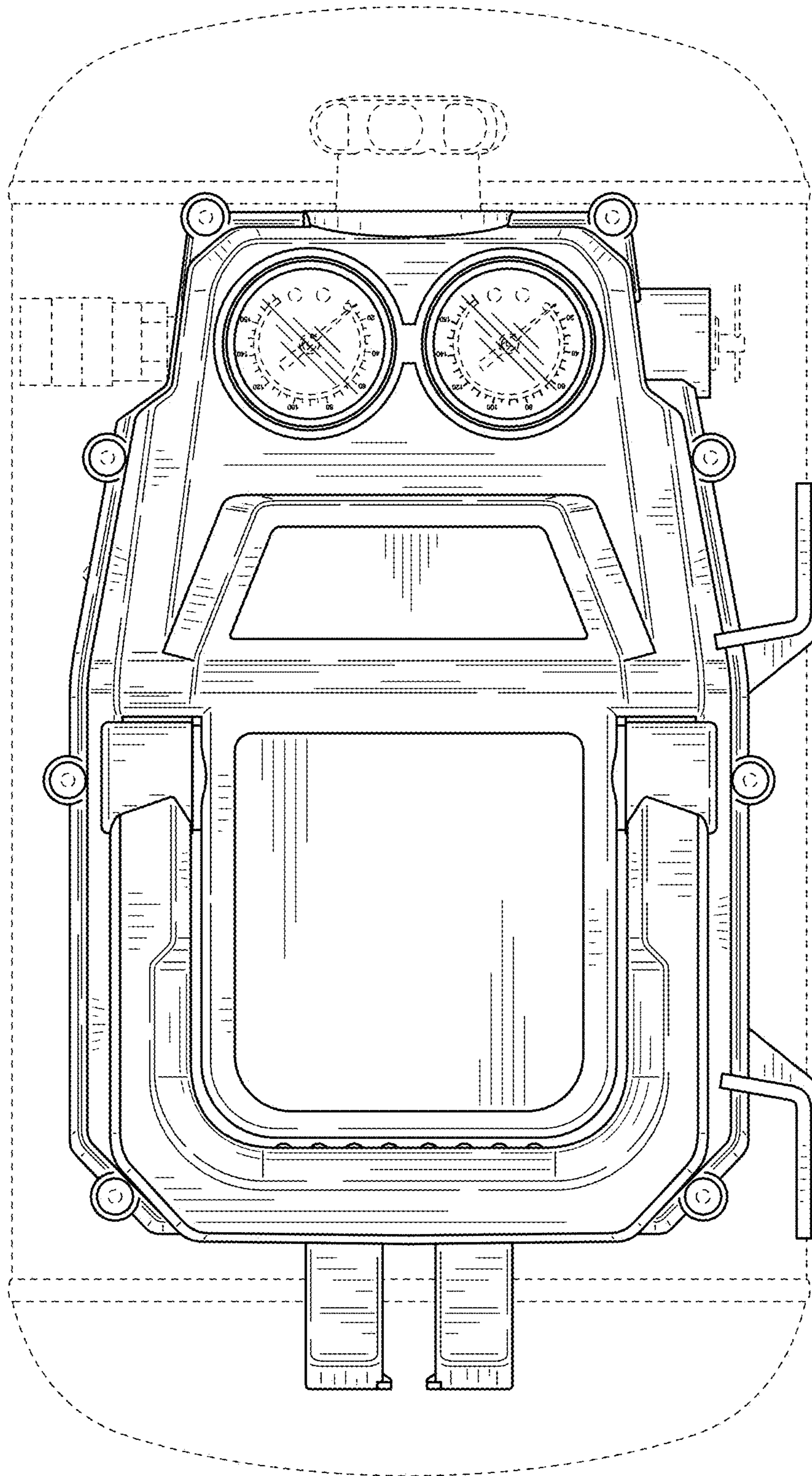


FIG. 6

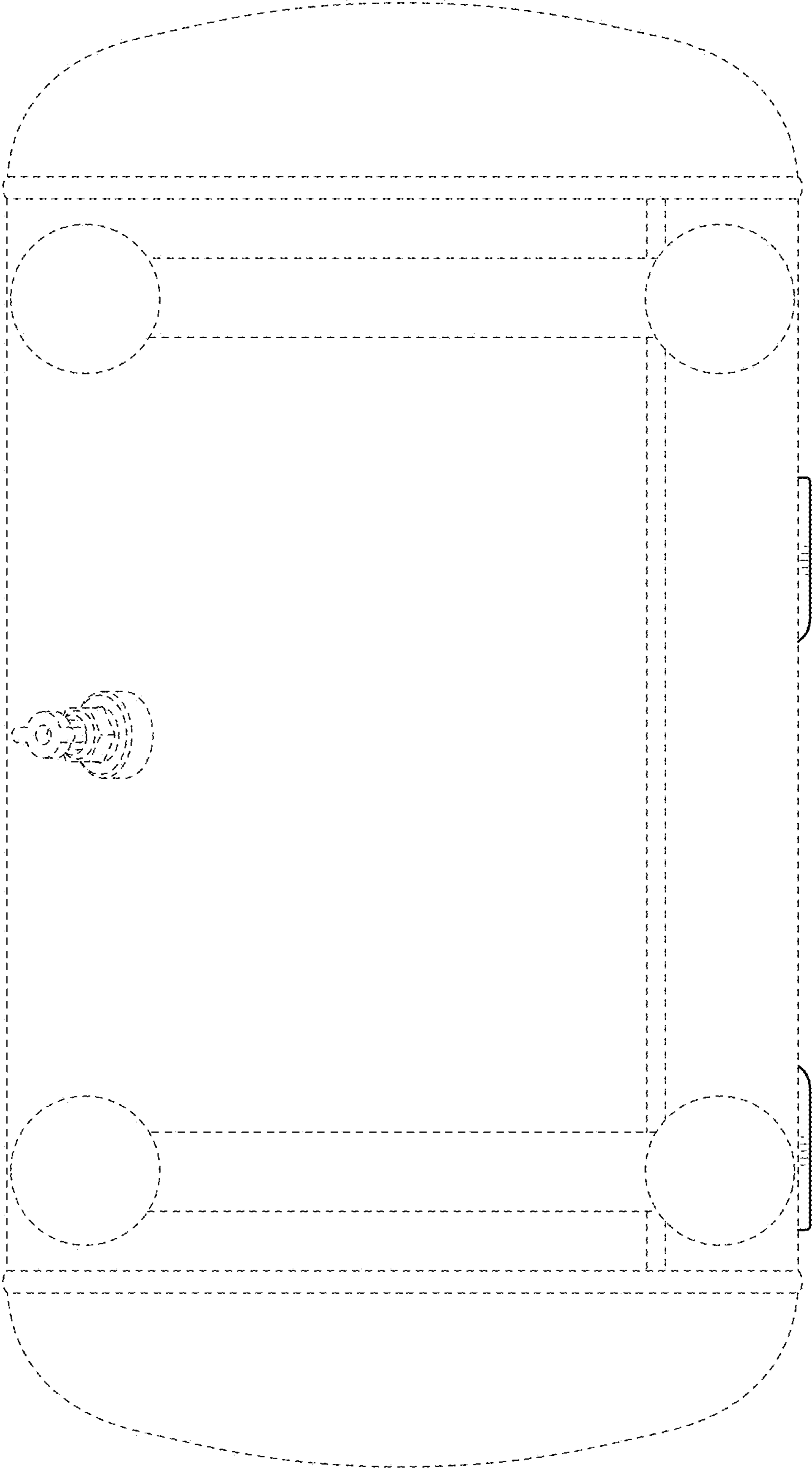


FIG. 7

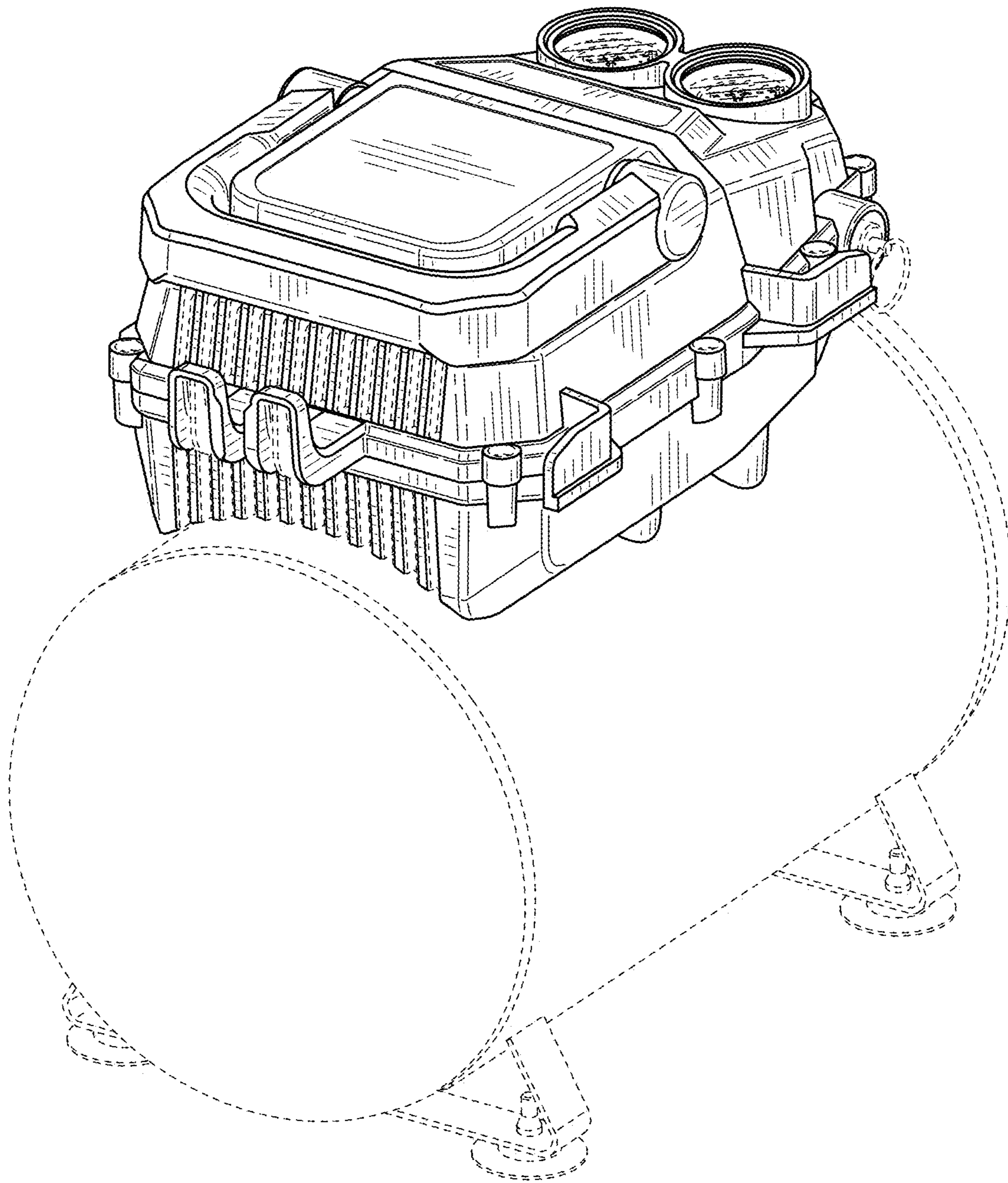


FIG. 8

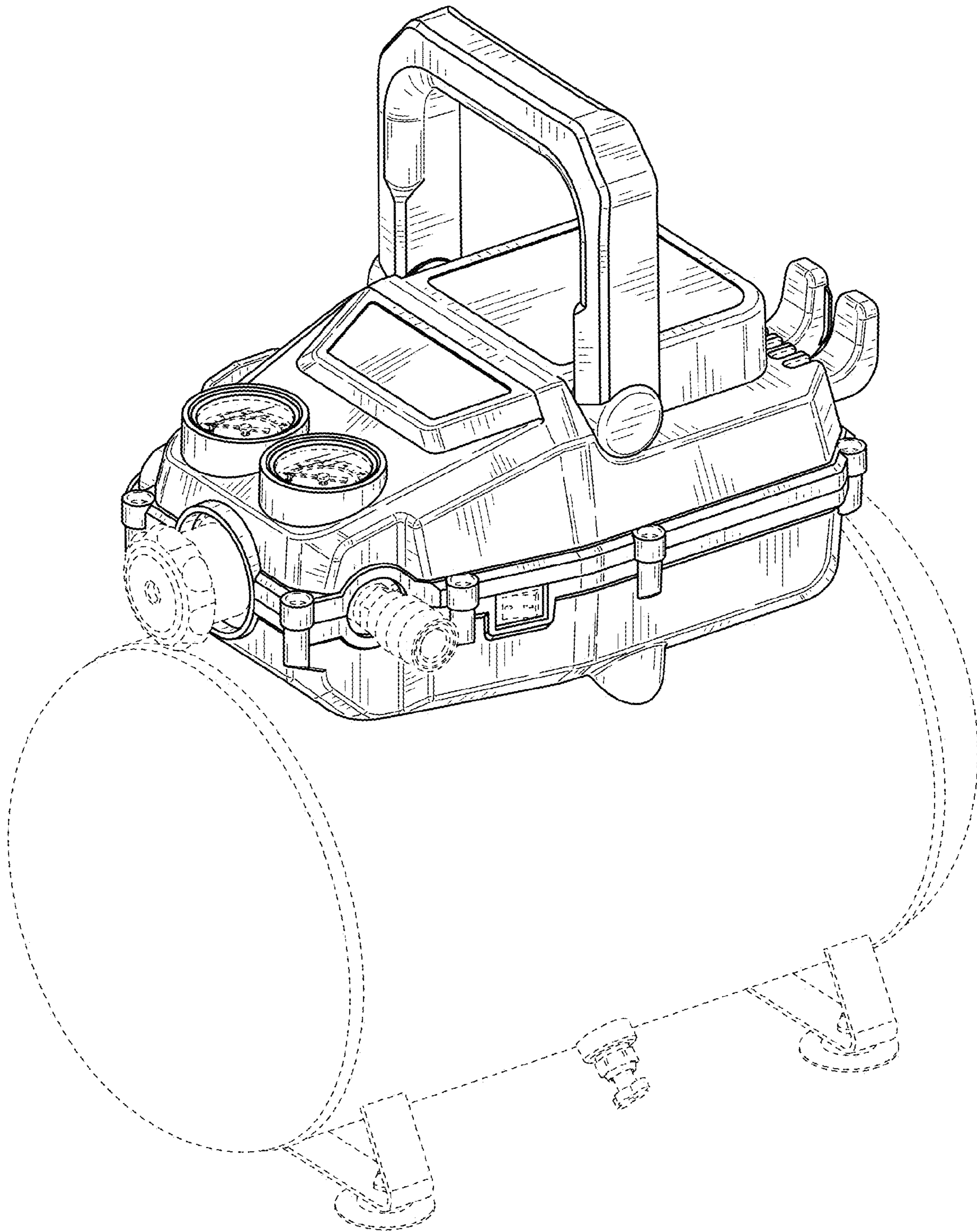


FIG. 9

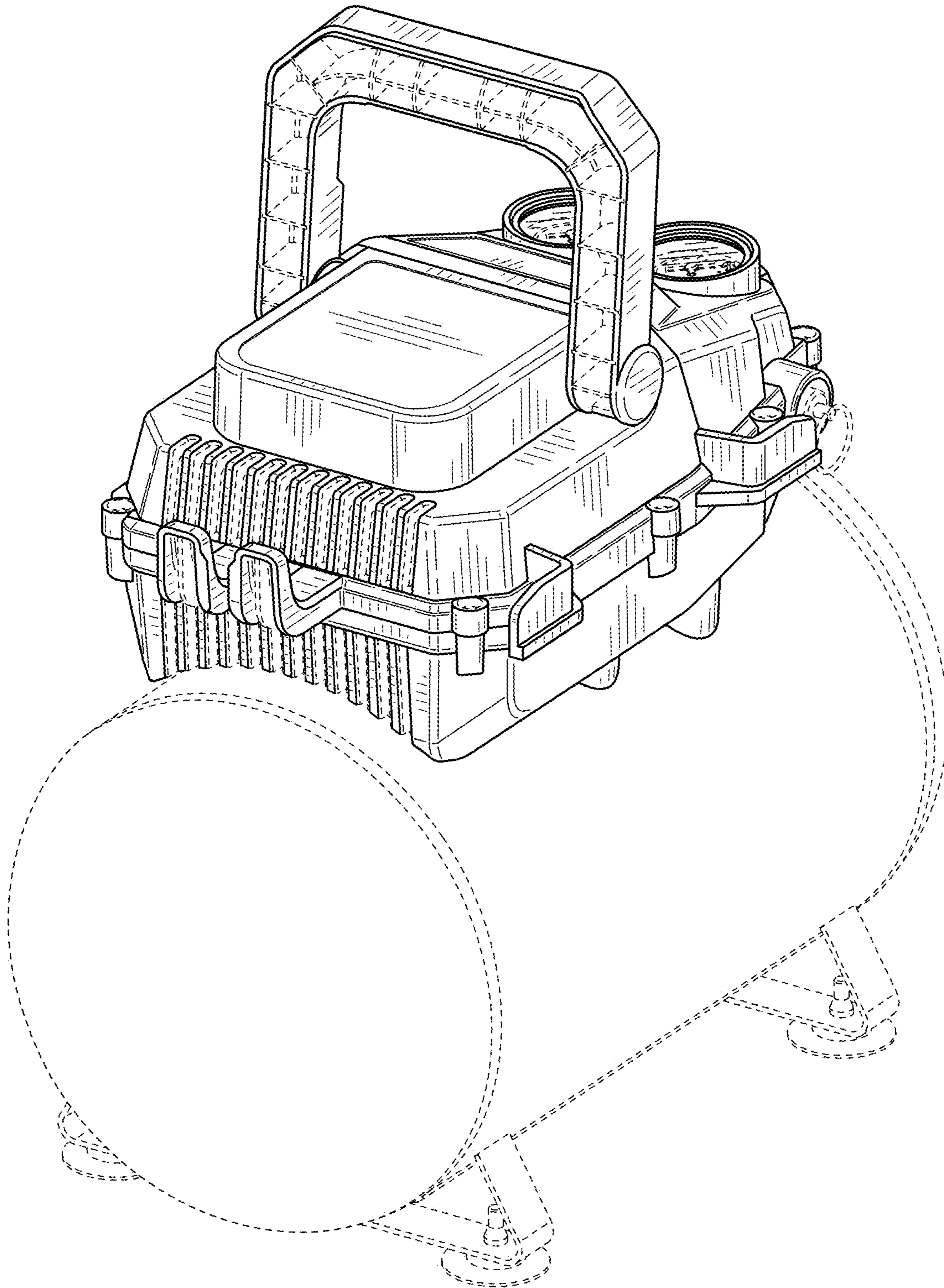


FIG. 10

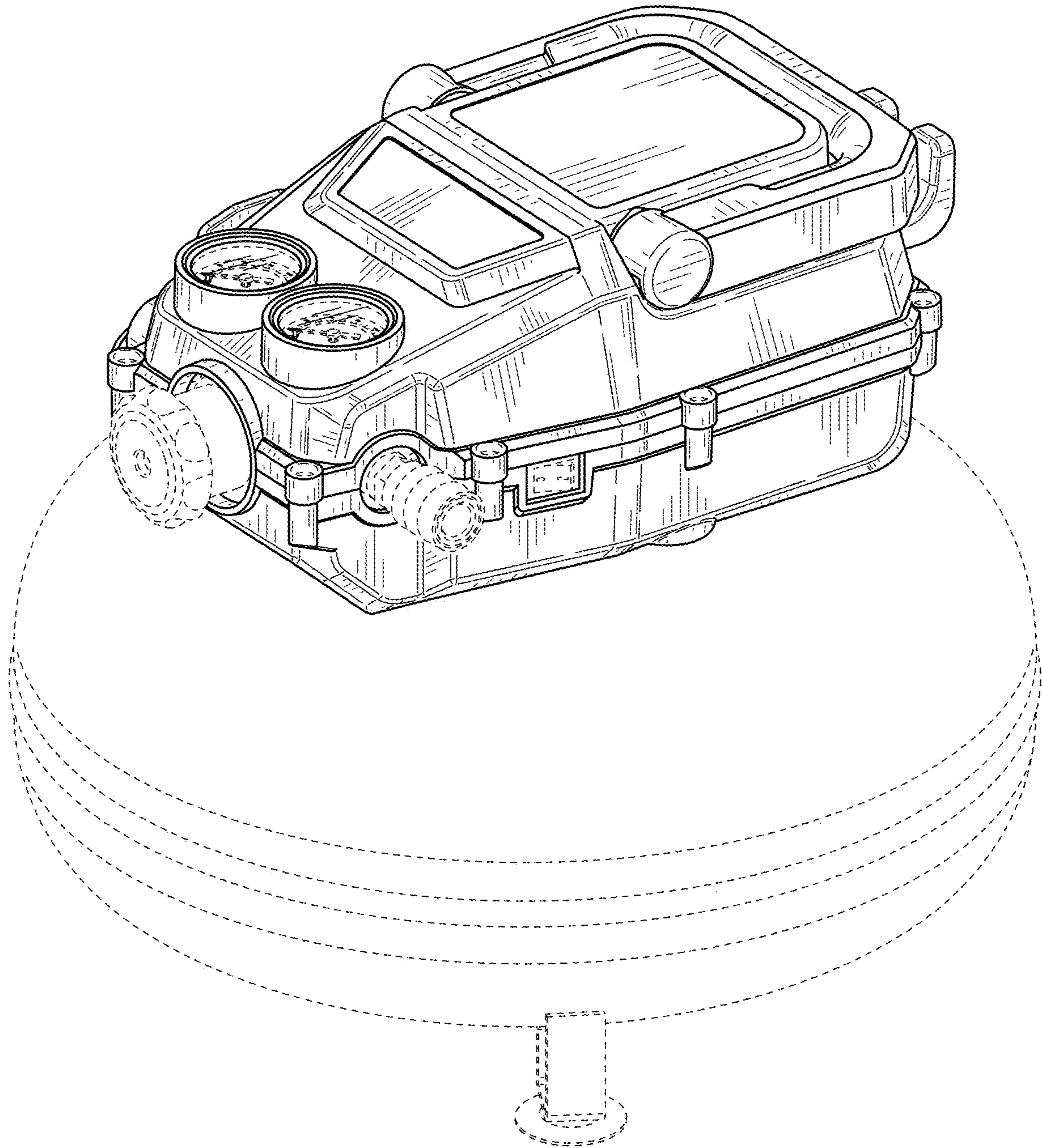


FIG. 11

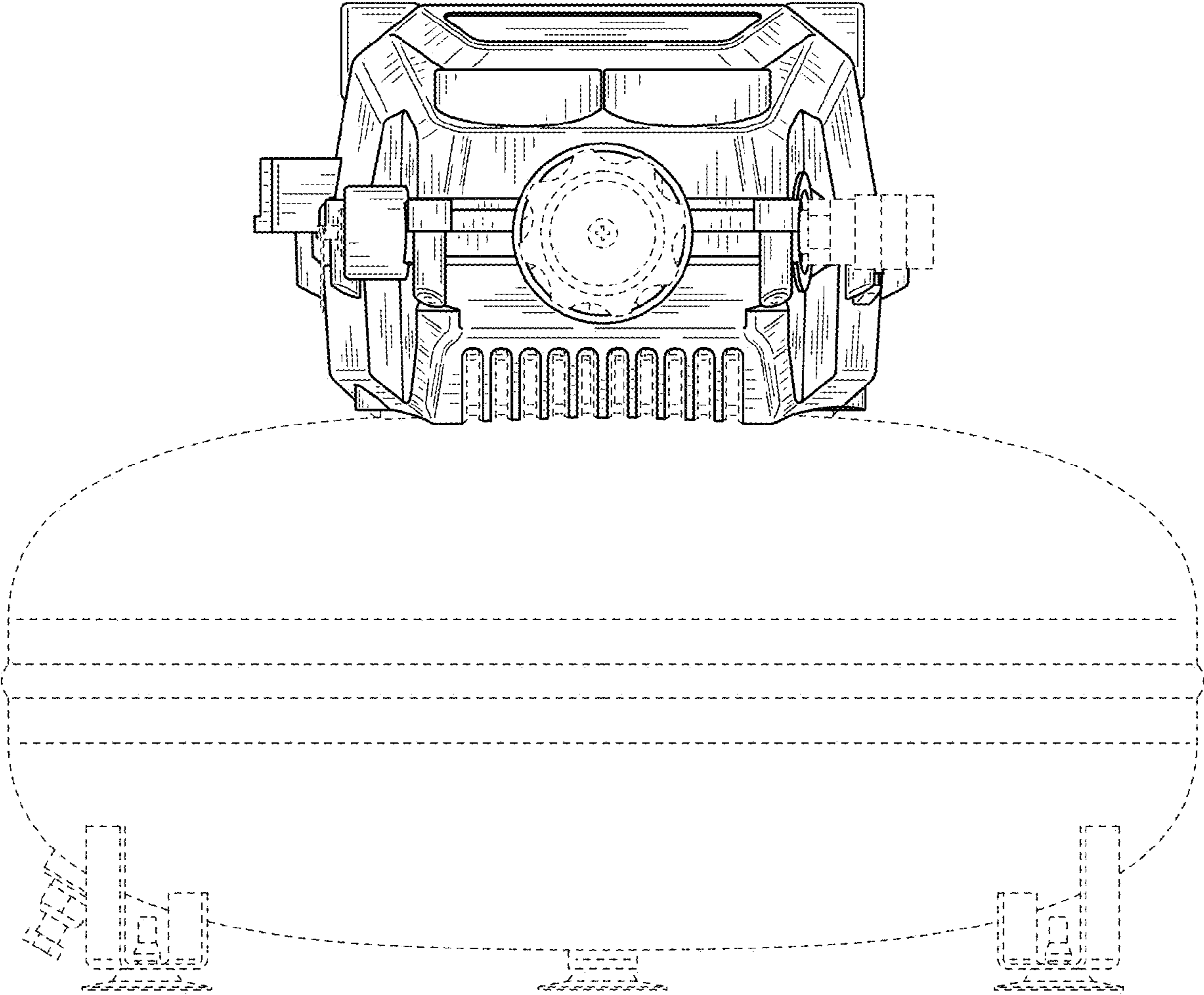


FIG. 12

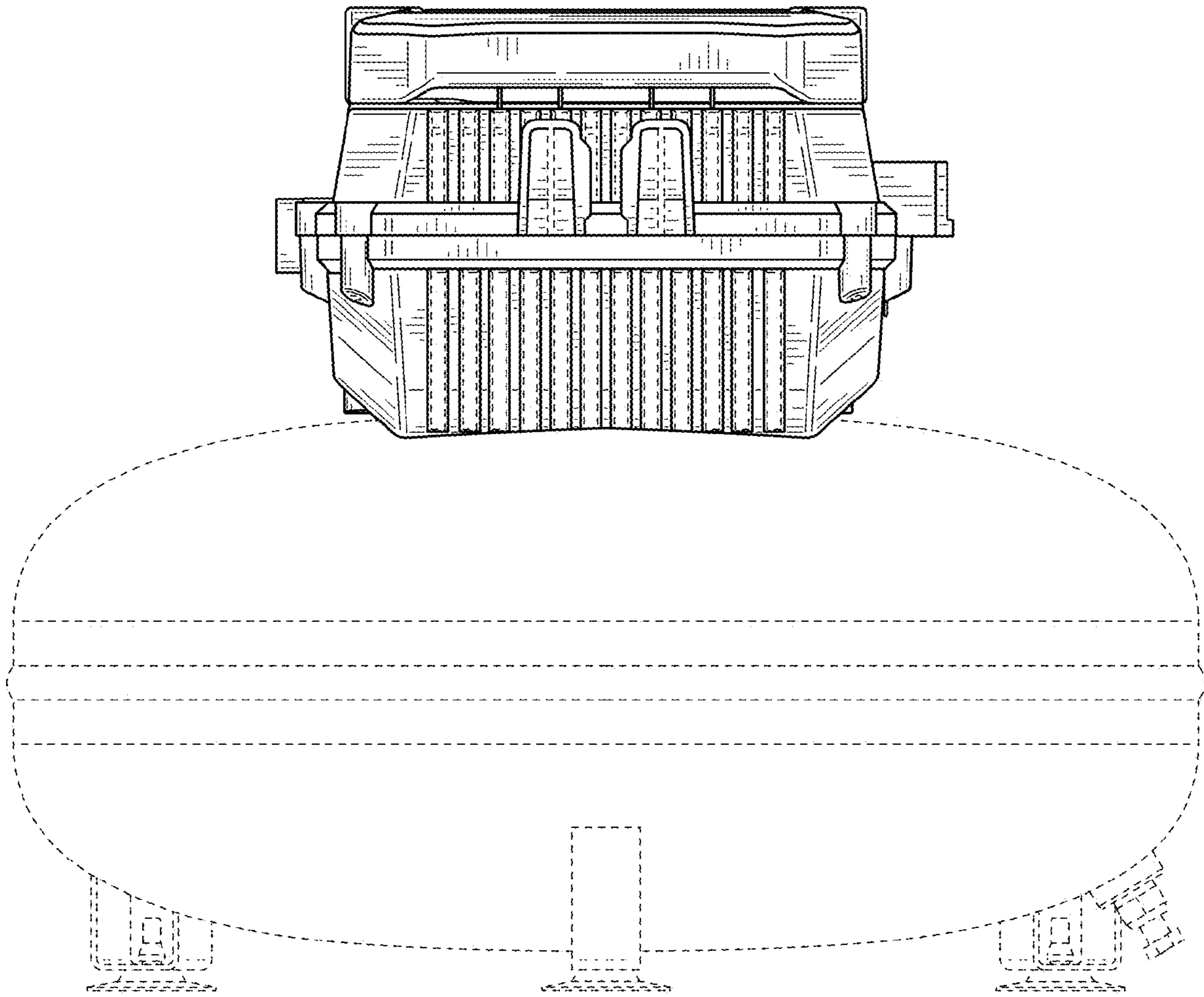


FIG. 13

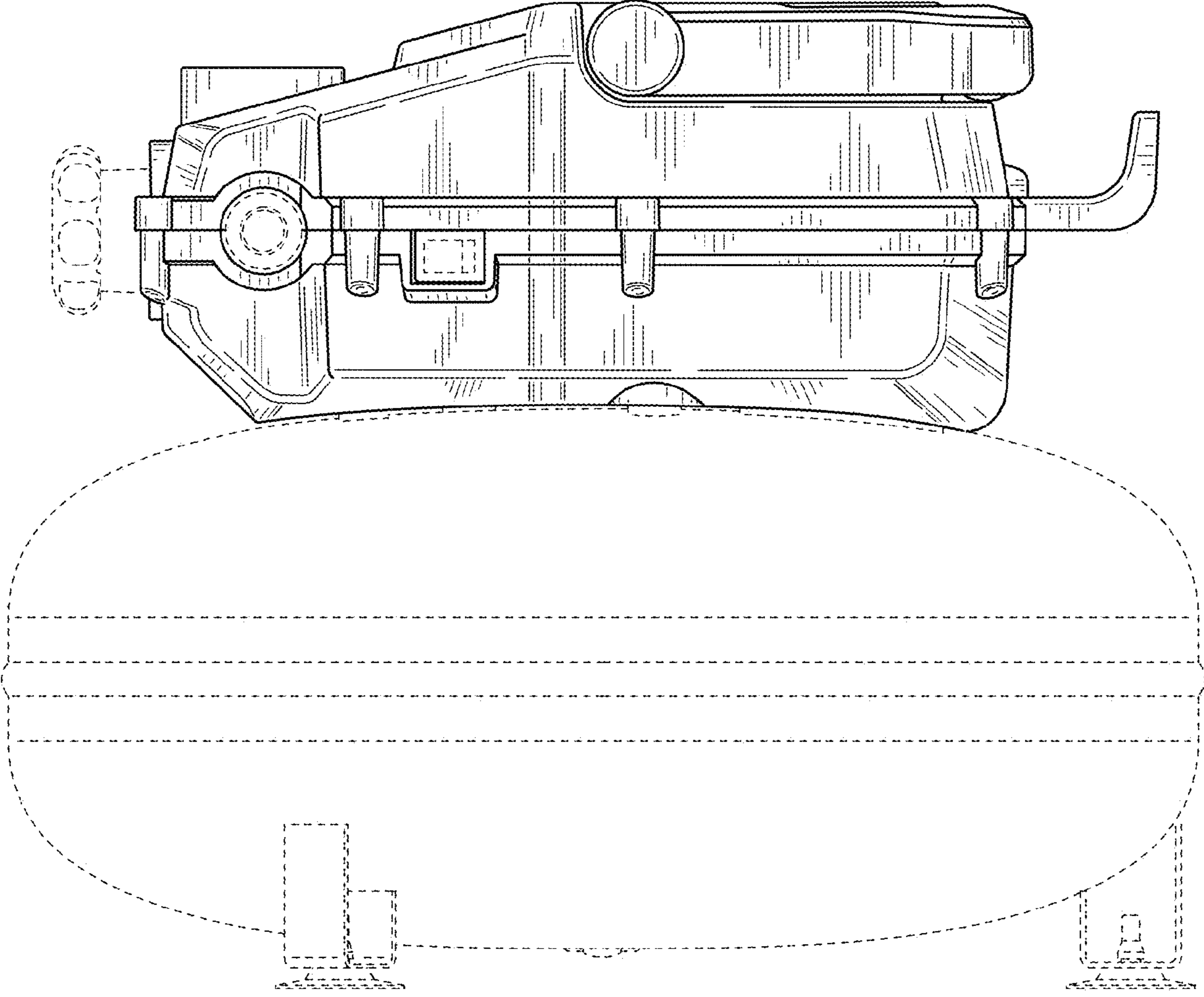


FIG. 14

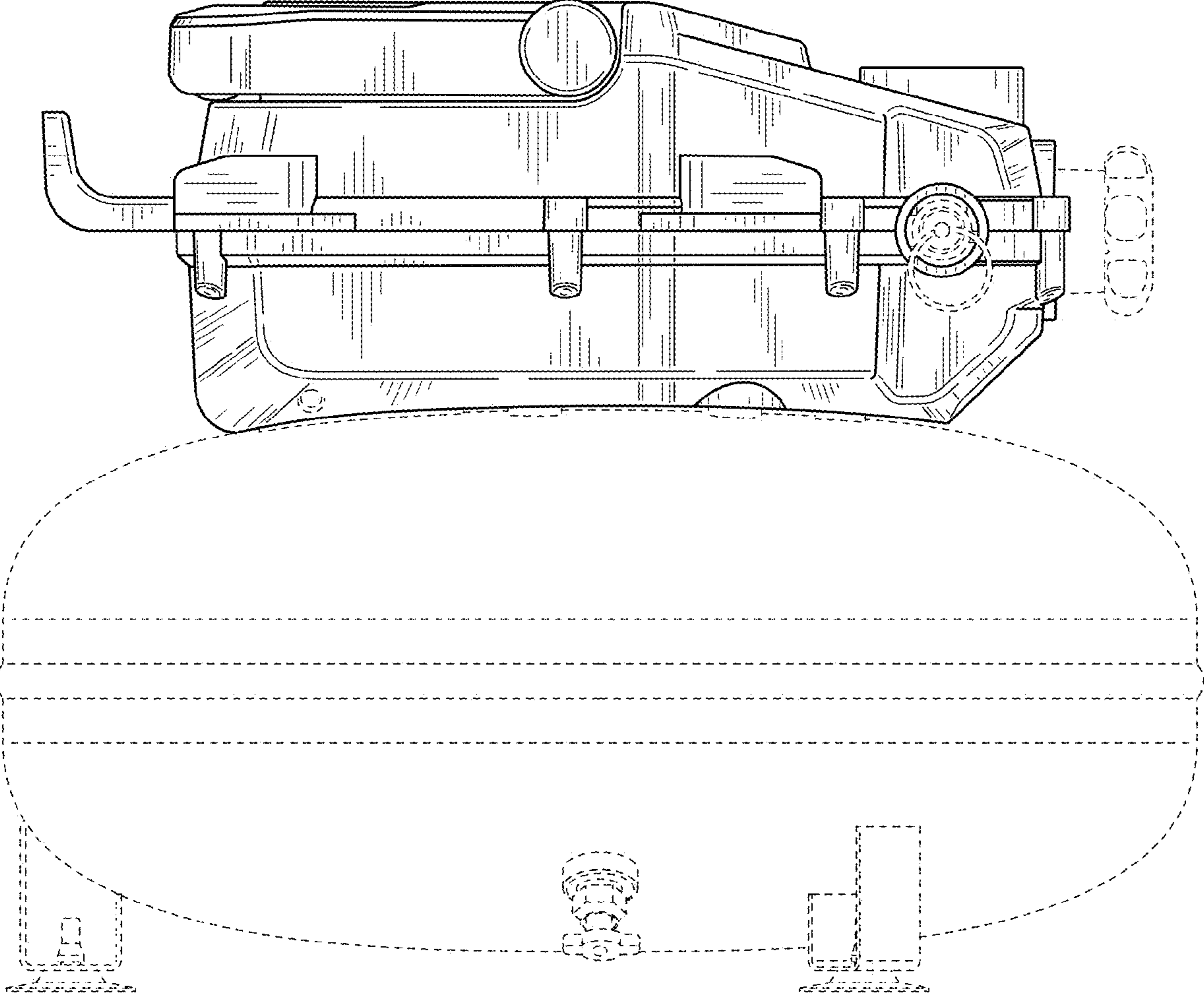


FIG. 15

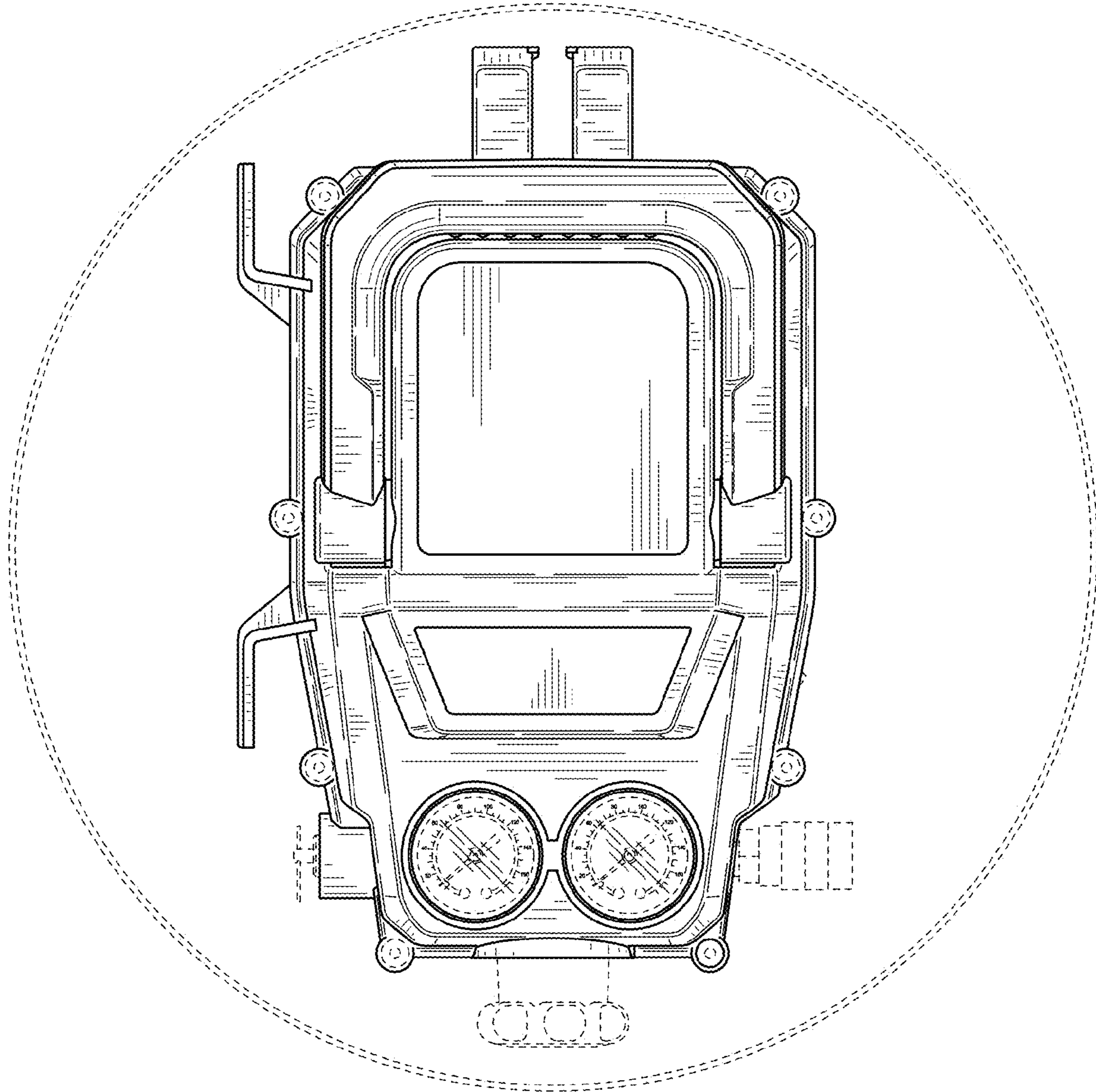


FIG. 16

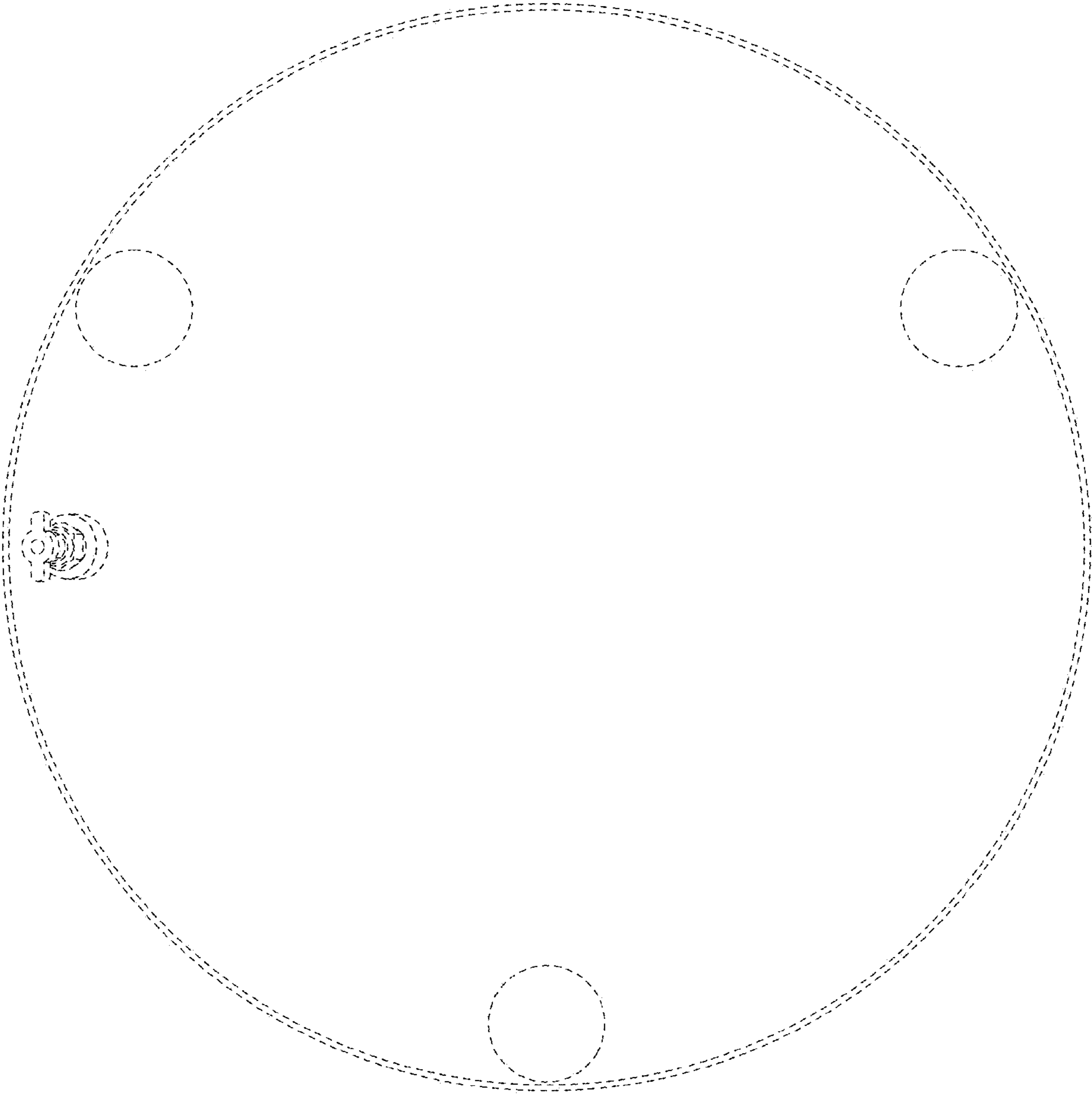


FIG. 17

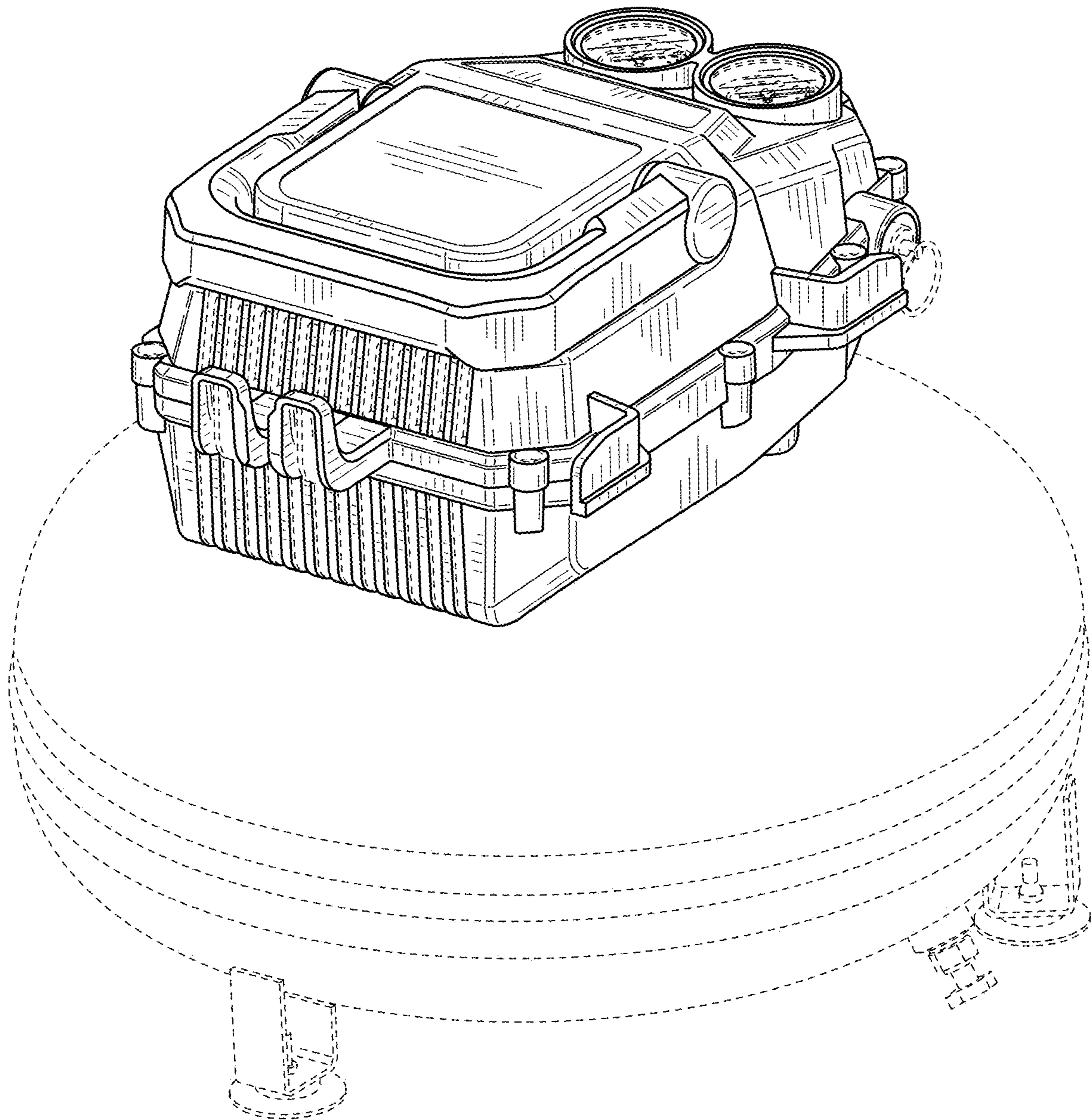


FIG. 18

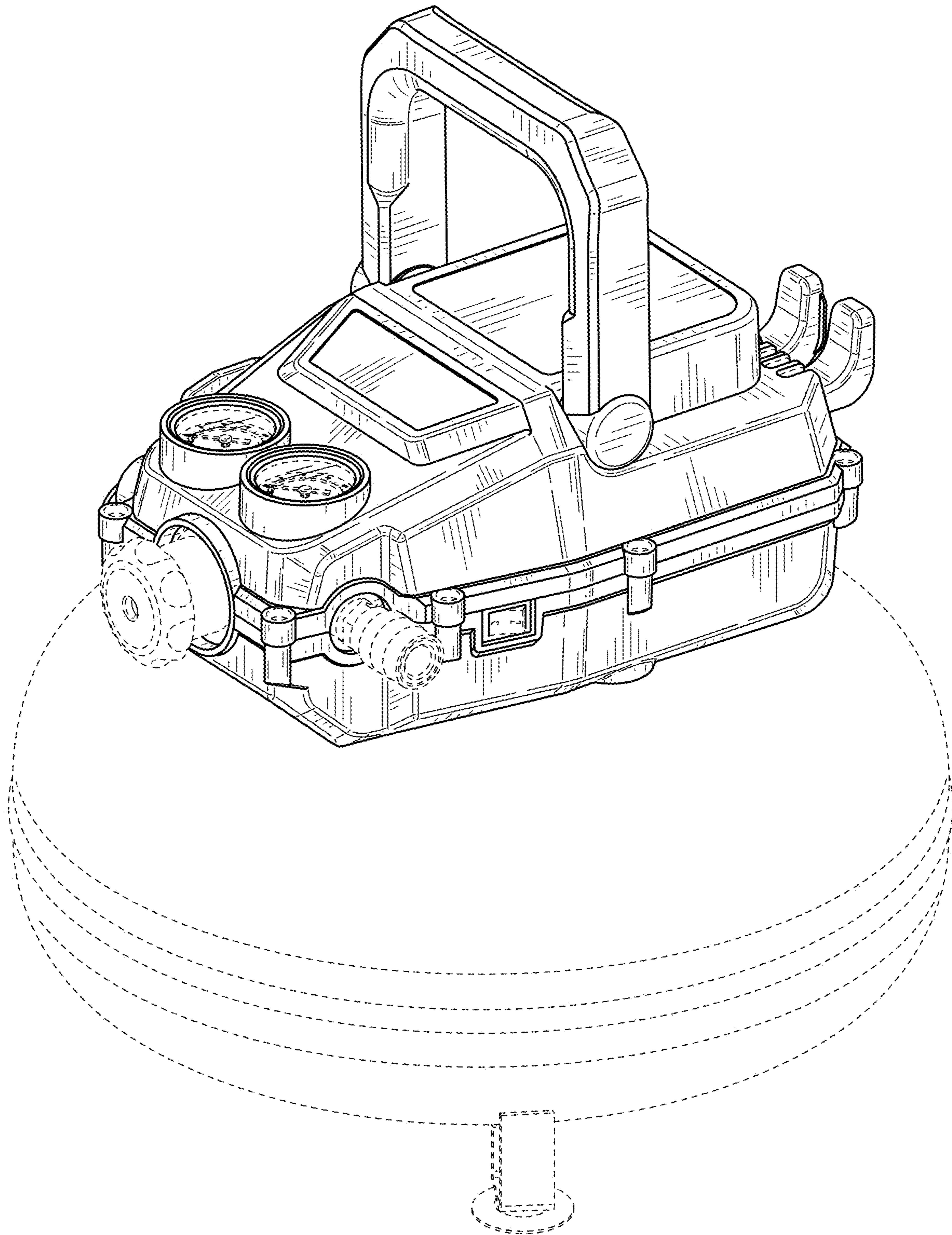


FIG. 19

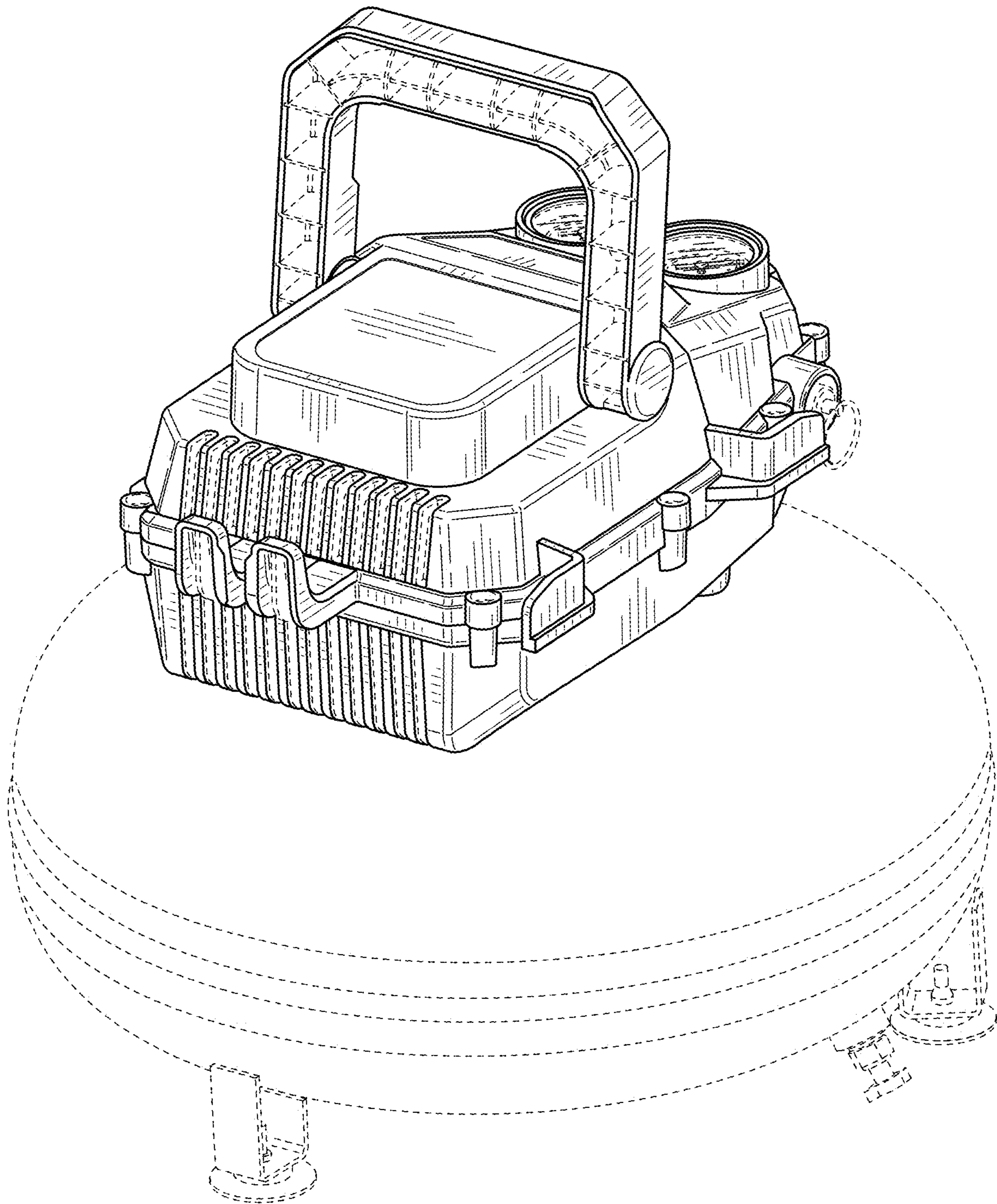


FIG. 20