



US00D977503S

(12) **United States Design Patent** (10) **Patent No.:** **US D977,503 S**
Lee et al. (45) **Date of Patent:** **** *Feb. 7, 2023**

(54) **COMPUTER DISPLAY SCREEN WITH BREATHING SAMPLES INTERFACE**

(71) Applicant: **MediPines Corporation**, Yorba Linda, CA (US)

(72) Inventors: **Steve Lee**, Yorba Linda, CA (US);
Youngjae Lee, Yorba Linda, CA (US);
Timothy Marcum, Yorba Linda, CA (US)

(73) Assignee: **MediPines Corporation**, Yorba Linda, CA (US)

(*) Notice: This patent is subject to a terminal disclaimer.

(**) Term: **15 Years**

(21) Appl. No.: **29/743,030**

(22) Filed: **Jul. 17, 2020**

Related U.S. Application Data

(63) Continuation-in-part of application No. 29/654,530, filed on Jun. 25, 2018, now abandoned.

(51) **LOC (14) Cl.** **14-04**

(52) **U.S. Cl.**
USPC **D14/486**

(58) **Field of Classification Search**
USPC D14/485–495
CPC G06F 3/048; G06F 3/0481; G06F 3/04817;
G06F 3/0482; G06F 3/0483; G06F 3/04842; G06F 3/0485; G06F 3/04855;
G06F 3/0486; G06F 3/0488; G06F 3/04886; G06F 9/4443; G06F 17/211;
G06F 17/212

See application file for complete search history.

(56) **References Cited**

U.S. PATENT DOCUMENTS

7,191,028 B2 * 3/2007 Nomura H04N 1/0035
345/440
D559,262 S * 1/2008 Young D14/487
D611,489 S * 3/2010 Bell D14/486
7,713,122 B2 * 5/2010 Pacey G07F 17/3267
463/25
D638,850 S * 5/2011 Woods D14/486
(Continued)

OTHER PUBLICATIONS

“MediPines AGM100” Apr. 3, 2020, Vimeo, site visited Feb. 4, 2021: <https://vimeo.com/403736871> (Year: 2020).*
(Continued)

Primary Examiner — Jack Reickel
(74) *Attorney, Agent, or Firm* — Fish IP Law, LLP

(57) **CLAIM**

The ornamental design for a computer display screen with breathing samples interface, as shown and described.

DESCRIPTION

FIG. 1 is a side front perspective view of an embodiment of a computer display screen with breathing samples interface, showing our new design.

FIG. 2 is a front view of FIG. 1.

FIG. 3 is a back view of FIG. 1.

FIG. 4 is a right side view FIG. 1.

FIG. 5 is a left side view FIG. 1.

FIG. 6 is a top view of FIG. 1.

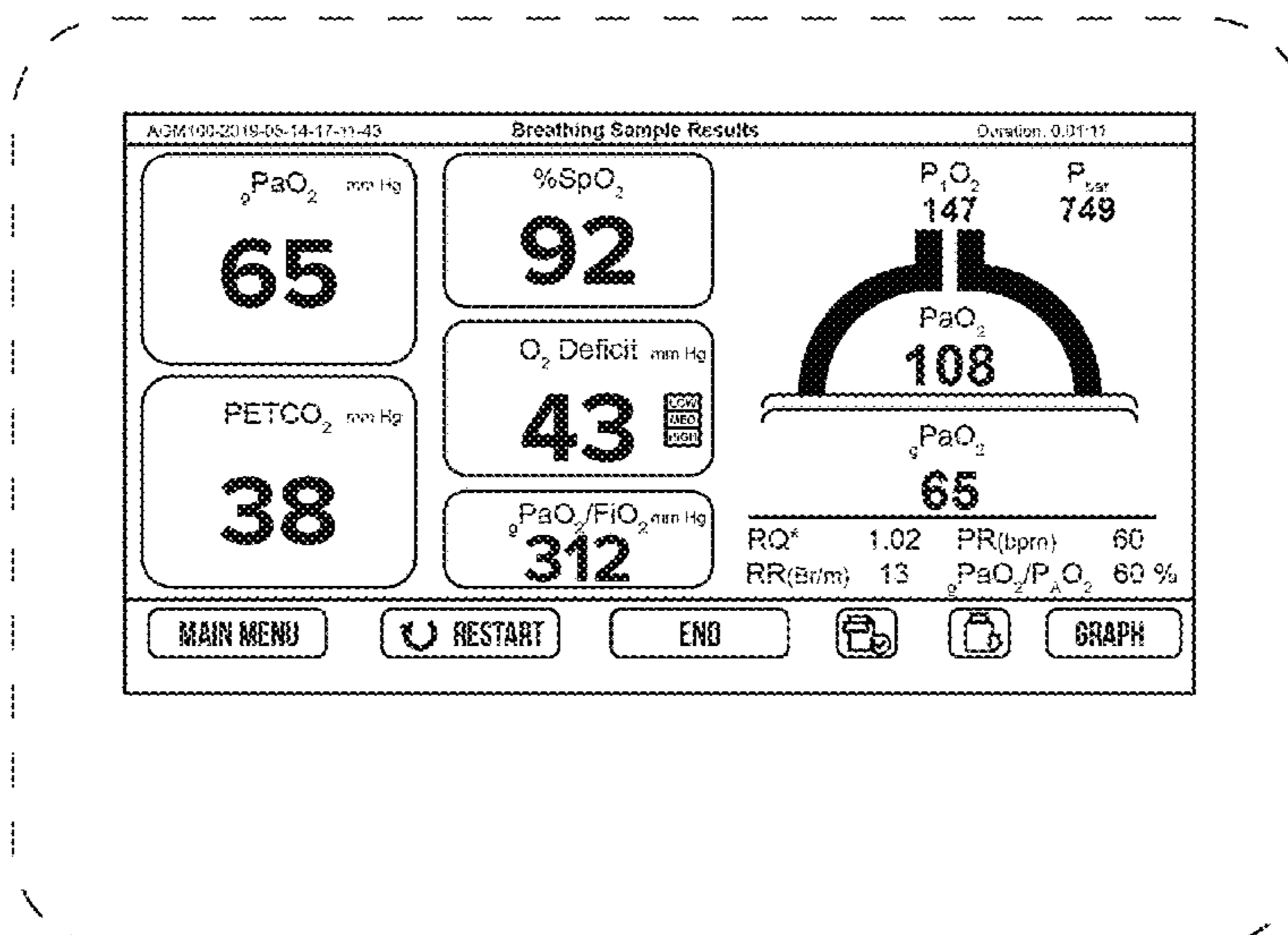
FIG. 7 is bottom of FIG. 1.

FIG. 8 is a side front perspective view of another embodiment of a computer display screen with breathing samples interface, showing our new design; and,

FIG. 9 is a front view of FIG. 8.

The broken line showing of a computer display screen and the interface elements is included for the purpose of illustrating portions of the article and forms no part of the claimed design.

1 Claim, 7 Drawing Sheets



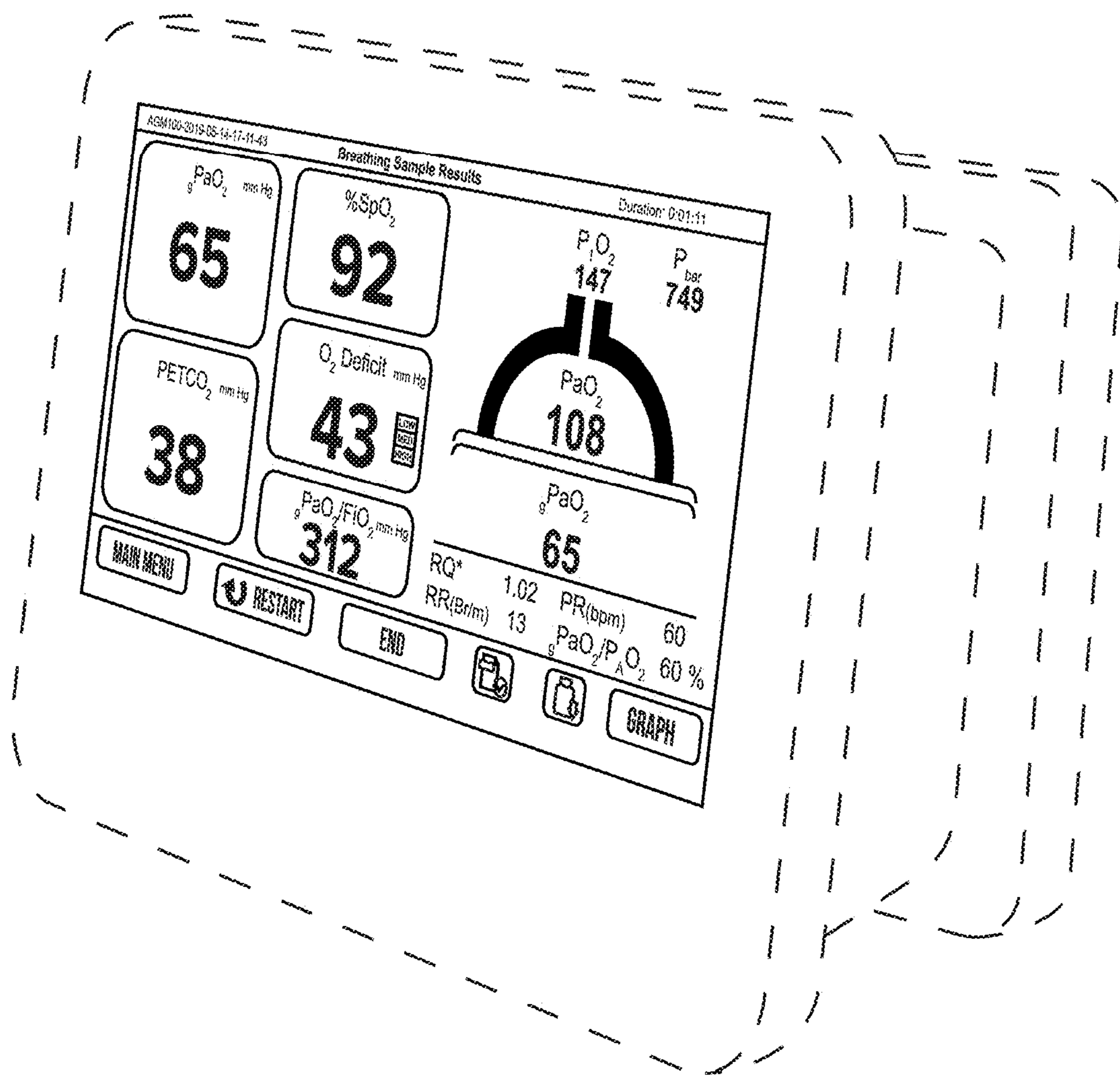


FIG. 1

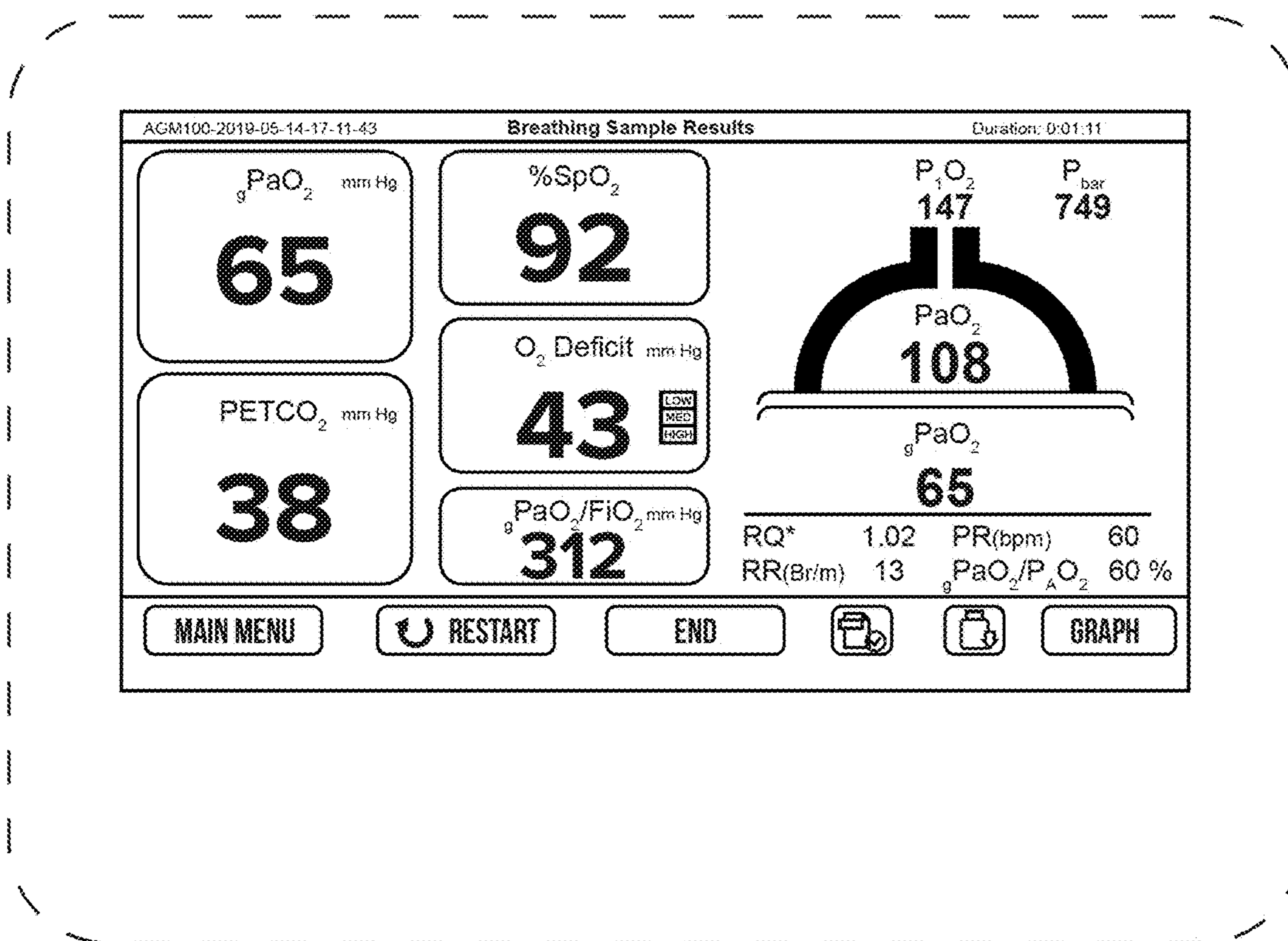


FIG. 2



FIG. 3

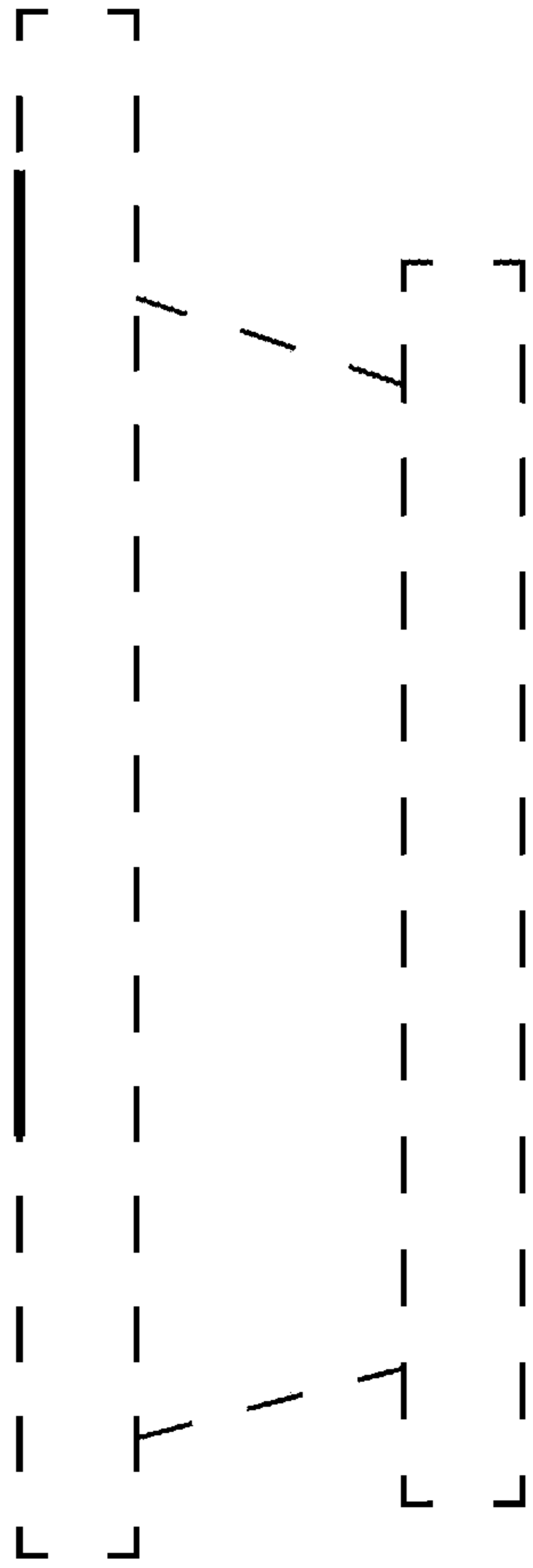


FIG. 4

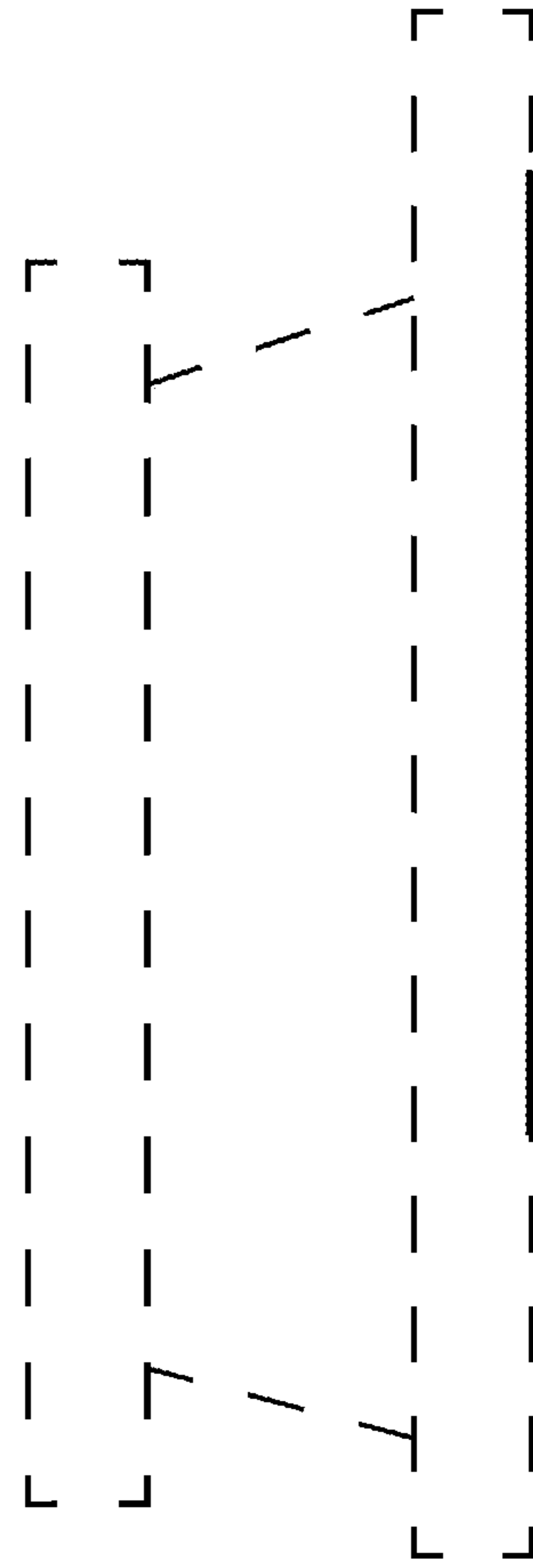


FIG. 5

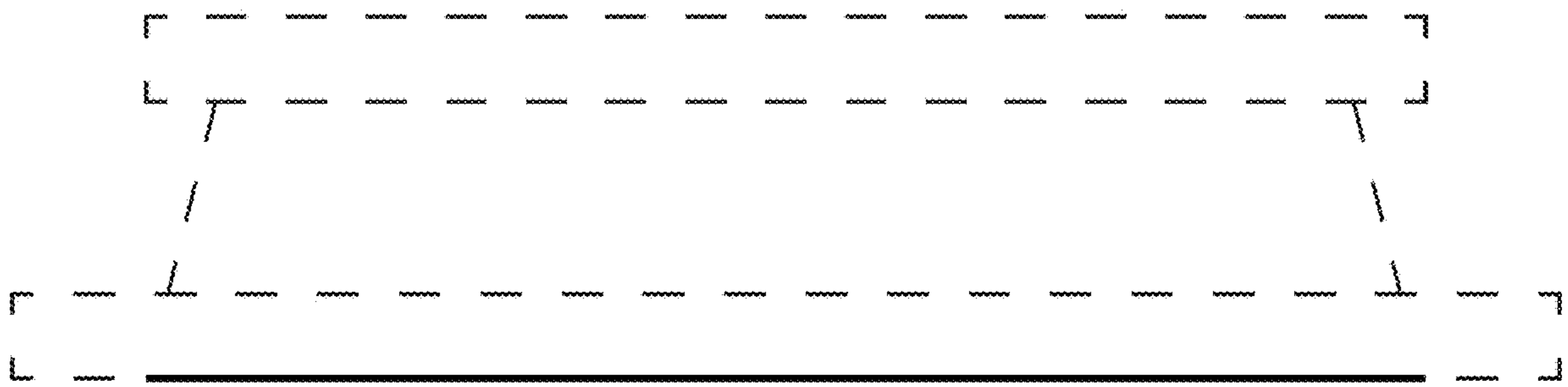


FIG. 6

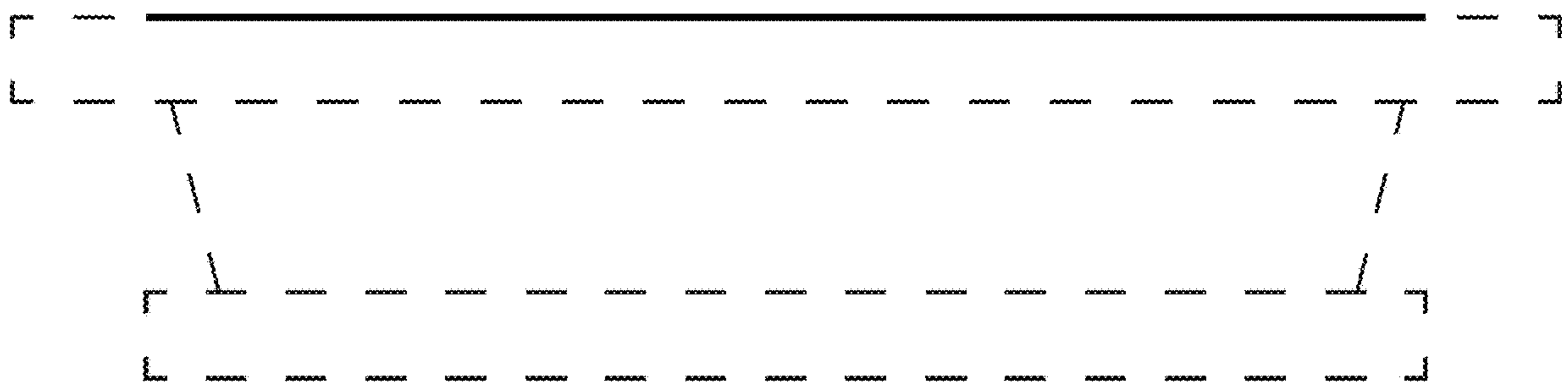


FIG. 7

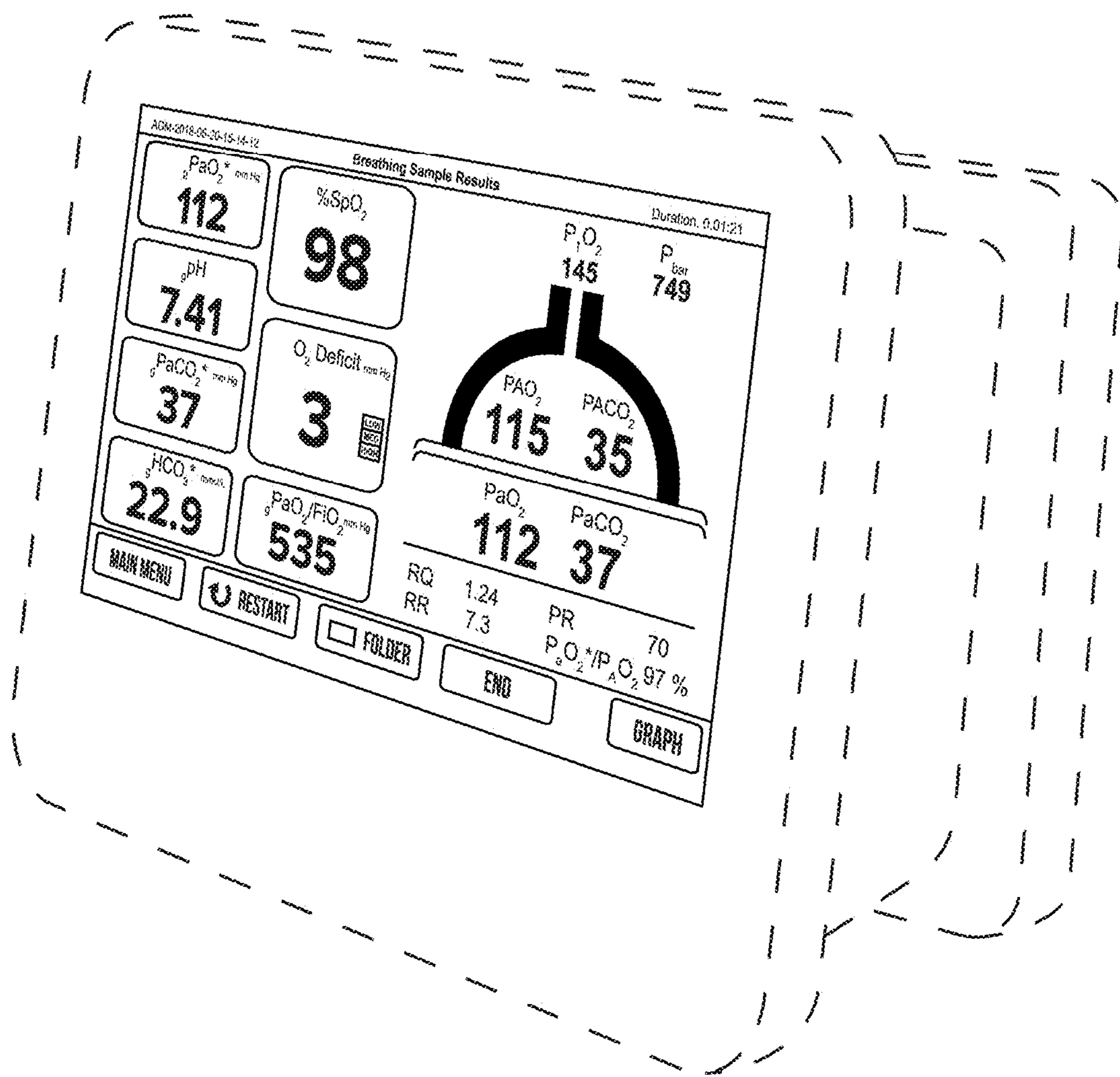


FIG. 8

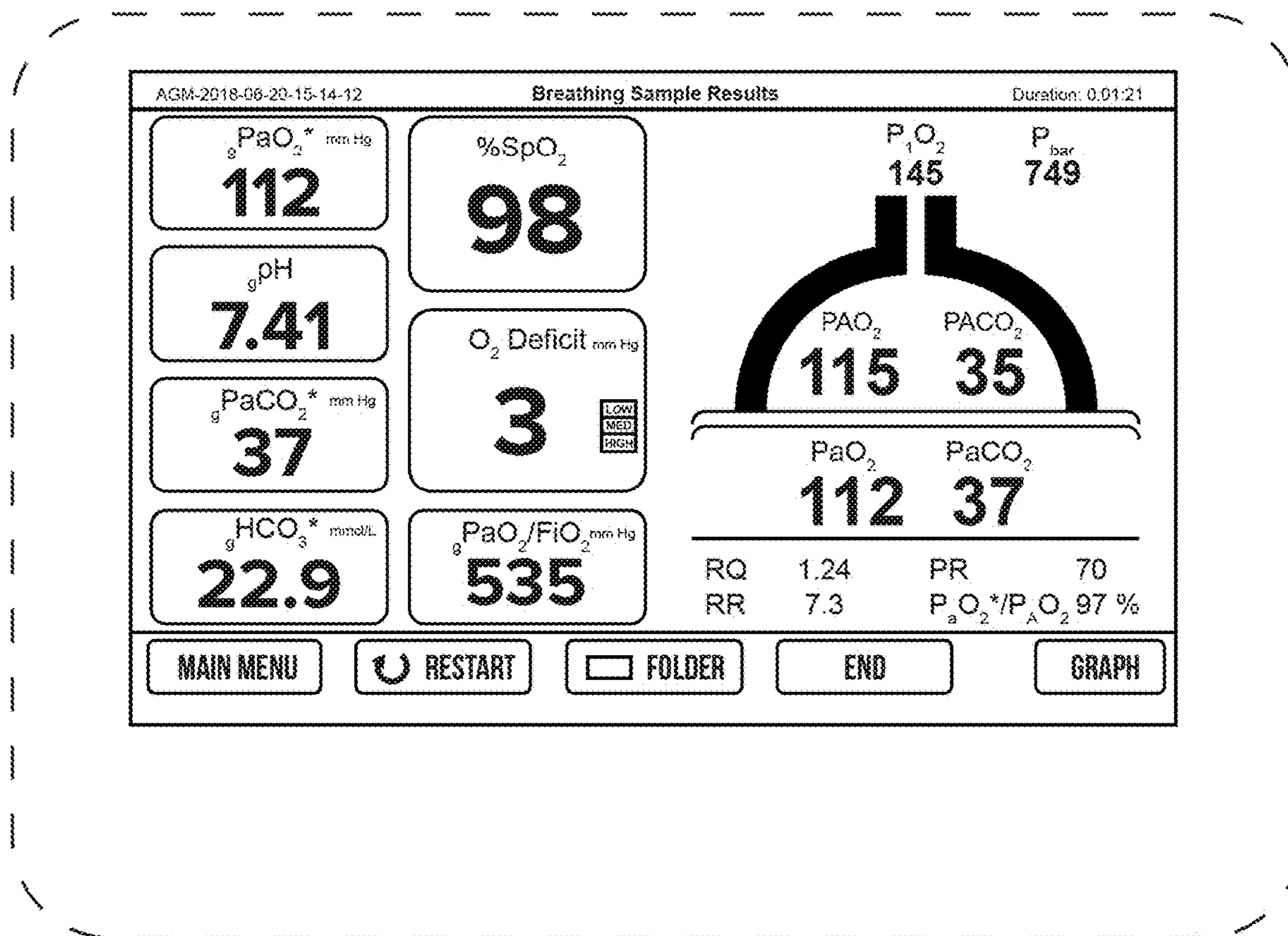


FIG. 9