



US00D977489S

(12) **United States Design Patent**  
**Zheng**

(10) **Patent No.:** **US D977,489 S**

(45) **Date of Patent:** **\*\* Feb. 7, 2023**

(54) **MONITOR STAND RISER**

(71) Applicant: **FUZHOU INFINITY HOME CO., LTD**, Fuzhou (CN)

(72) Inventor: **Huihai Zheng**, Fuzhou (CN)

(73) Assignee: **FUZHOU INFINITY HOME CO., LTD**, Fuzhou (CN)

(\*\*) Term: **15 Years**

(21) Appl. No.: **29/781,028**

(22) Filed: **Apr. 28, 2021**

(30) **Foreign Application Priority Data**

Nov. 17, 2020 (CN) ..... 202030694564.6

(51) **LOC (14) Cl.** ..... **14-02**

(52) **U.S. Cl.**  
USPC ..... **D14/451**

(58) **Field of Classification Search**  
USPC ..... D14/371-382, 125-129, 335-337, D14/447-452, 492, 376-382, 239, 448, D14/457, 439-441, 432, 251-253, 126, D14/204, 209, 214-216; D8/349, 354, D8/363, 373, 376, 380; 348/180, 184, 348/325, 739, 825; D12/407, 415; D3/218; 341/12; D6/661, 675.1, 675.3, D6/677.1, 678.1, 678.2, 653.1, 653.15, D6/653.18, 653.19

CPC ..... G06F 3/0412; G06F 3/016; G06F 3/0488; G06F 3/011; G06F 3/038; G06F 3/03543; G06F 3/0338; G06F 3/0202; G06F 3/0219; G06F 3/0213; G06F 1/1616; G06F 3/023; G06F 3/04883; G02F 1/13338; G02F 1/1313; G02F 1/1333; G02F 1/135; G02F 1/132; G02F 1/133308; G02F 1/134309; G02F 1/13718; G09G 3/3648; G06K 15/1252; B41J 2/465; G03F 7/70291; G02B 27/0172; G02B 5/30; G02B 2027/0118;

G02B 27/0101; F16M 13/02; F16M 13/00; F16M 11/10; F16M 11/04; F16M 2200/08; F16M 11/2021; A47B 21/0314; A47B 88/044; A47B 2021/0335; H02G 3/126; F16B 47/00; F16B 47/006; A47G 1/17; A47K 2201/00

See application file for complete search history.

(56) **References Cited**

U.S. PATENT DOCUMENTS

D289,247 S *	4/1987	Wang	.....	D6/406.6
D293,493 S *	12/1987	Garr	.....	D6/675
D359,862 S *	7/1995	Rousch	.....	D7/552.2
D380,727 S *	7/1997	Gilstrap	.....	D6/406.5
D545,601 S *	7/2007	Yang	.....	D6/525
D642,408 S *	8/2011	Pirkl	.....	D6/707.19
D690,164 S *	9/2013	Lock	.....	D7/553.2
D773,868 S *	12/2016	Schwalbach	.....	D6/695.6
9,578,960 B1 *	2/2017	Wu	.....	A47B 21/0314
D837,580 S *	1/2019	Cauley	.....	D6/707.19
D881,611 S *	4/2020	Nightingale	.....	D6/656.19

(Continued)

*Primary Examiner* — Katie Jane Stofko

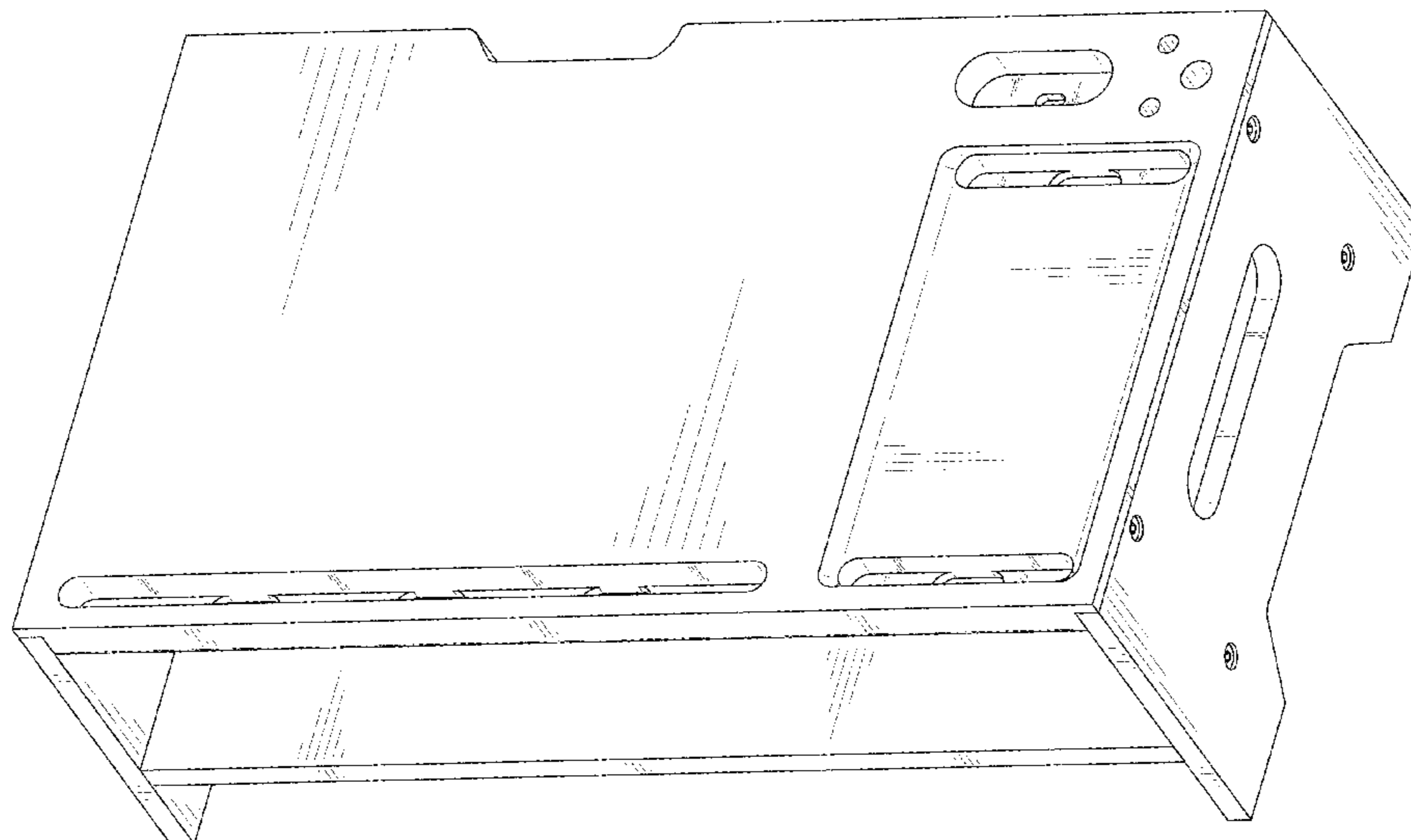
(57) **CLAIM**

The ornamental design for a monitor stand riser, as shown and described.

**DESCRIPTION**

FIG. 1 is a front, top and right side perspective view of a monitor stand riser showing my new design;  
FIG. 2 is a rear, bottom and left side perspective view thereof;  
FIG. 3 is a front elevational view thereof;  
FIG. 4 is a rear elevational view thereof;  
FIG. 5 is a left side elevational view thereof;  
FIG. 6 is a right side elevational view thereof;  
FIG. 7 is a top plan view thereof; and,  
FIG. 8 is a bottom plan view thereof.

**1 Claim, 8 Drawing Sheets**



(56)

**References Cited**

U.S. PATENT DOCUMENTS

D914,393 S \* 3/2021 Xie ..... D6/406.6  
D947,203 S \* 3/2022 Li ..... D14/451

\* cited by examiner

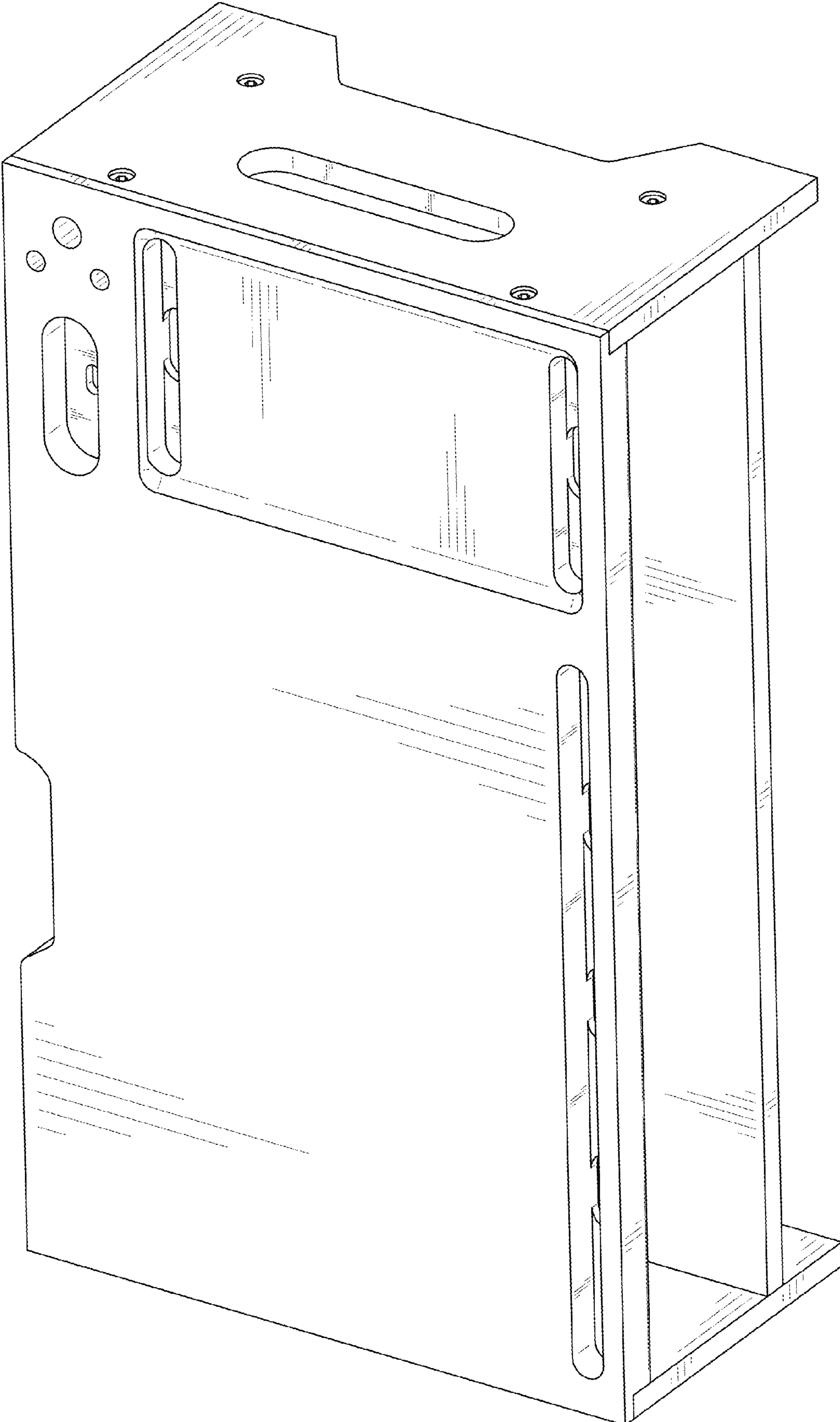


FIG. 1

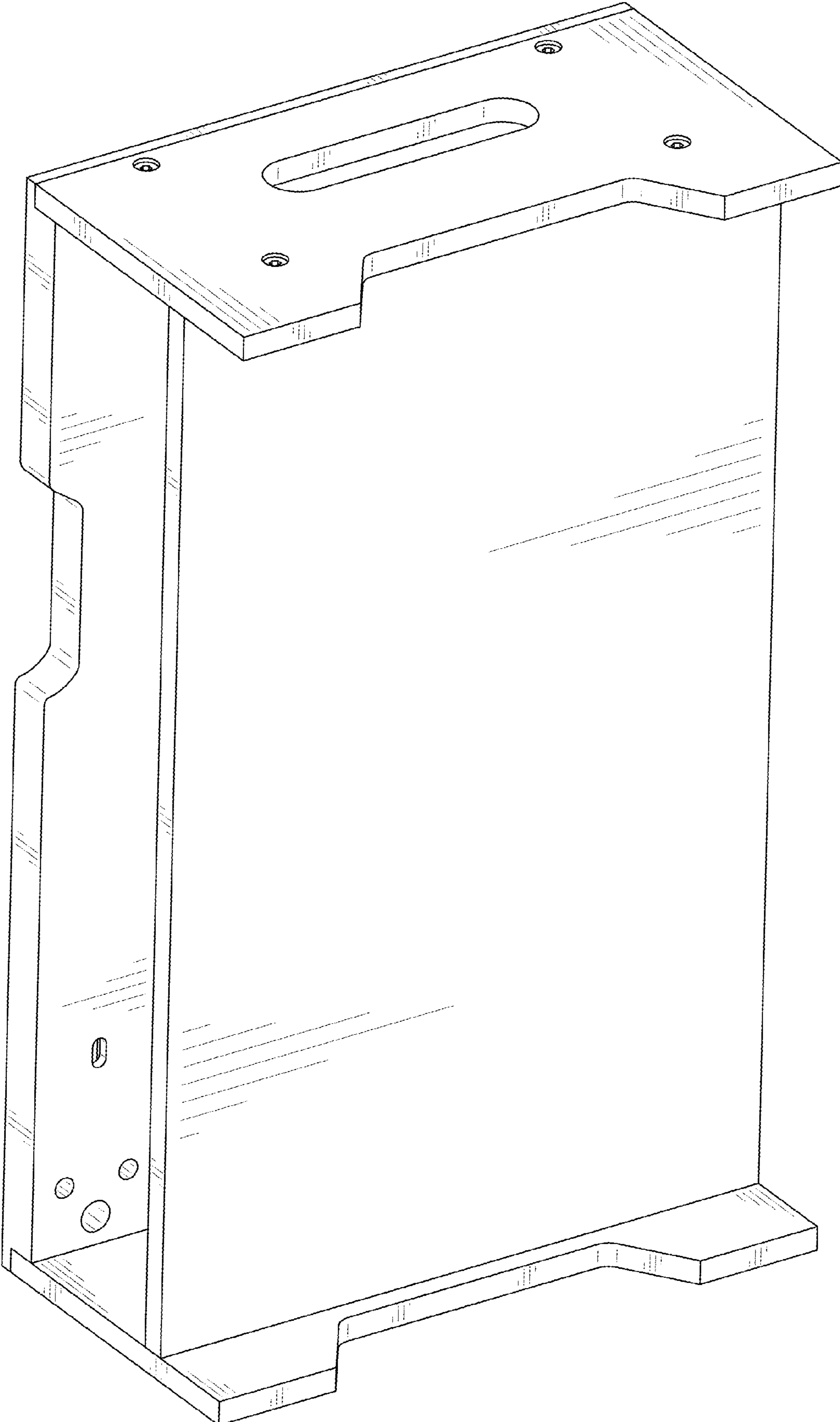


FIG. 2

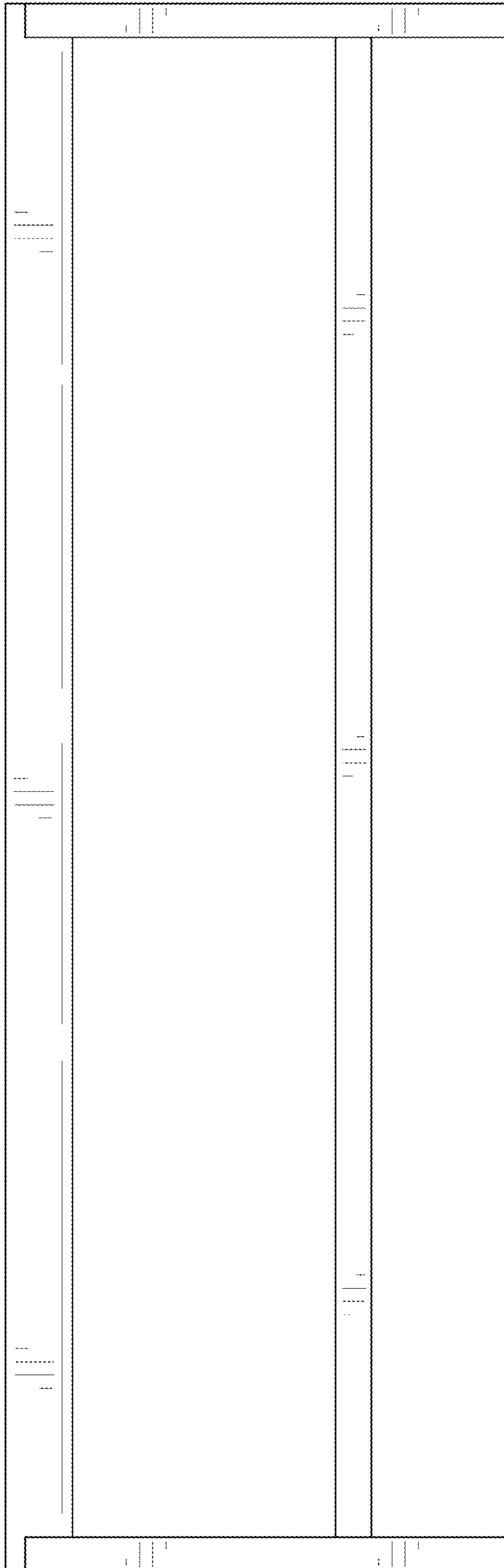


FIG. 3

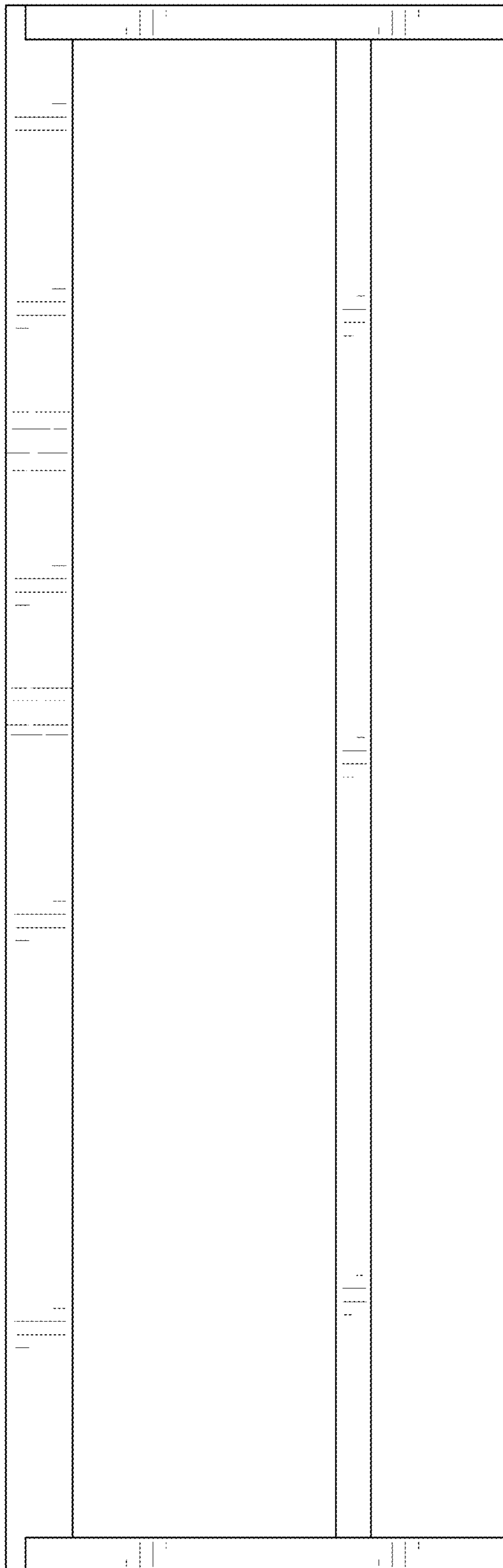


FIG. 4

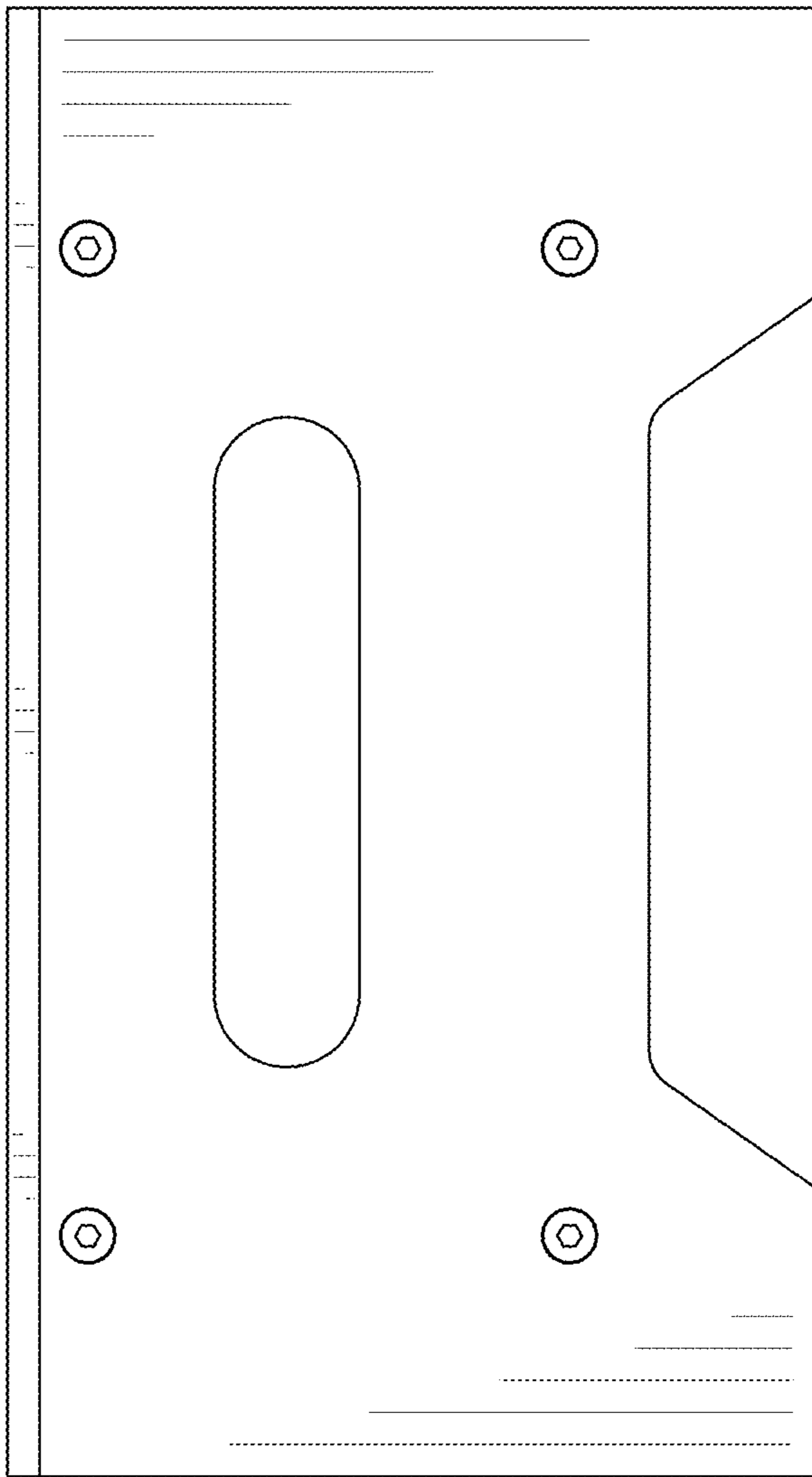


FIG. 5

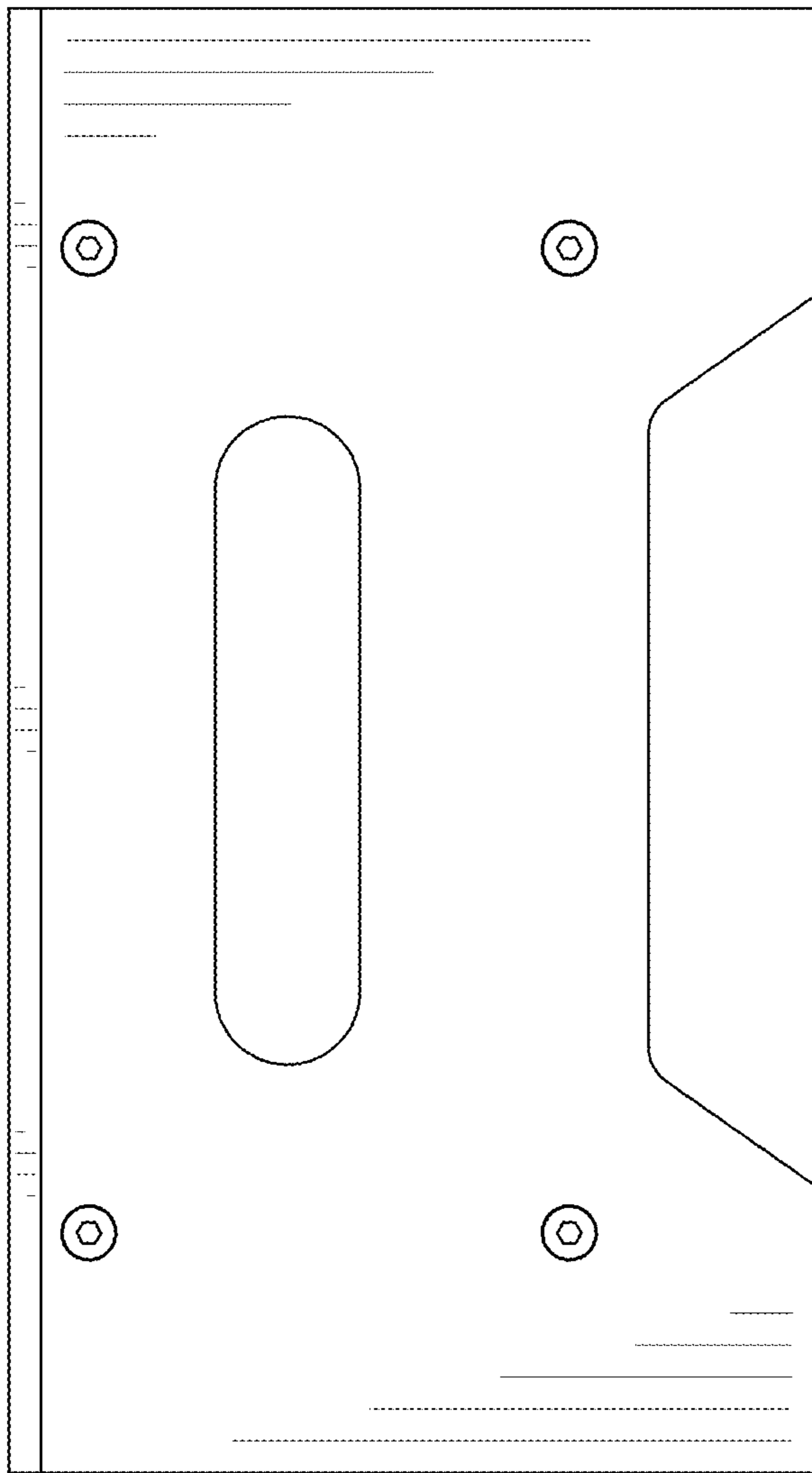


FIG. 6



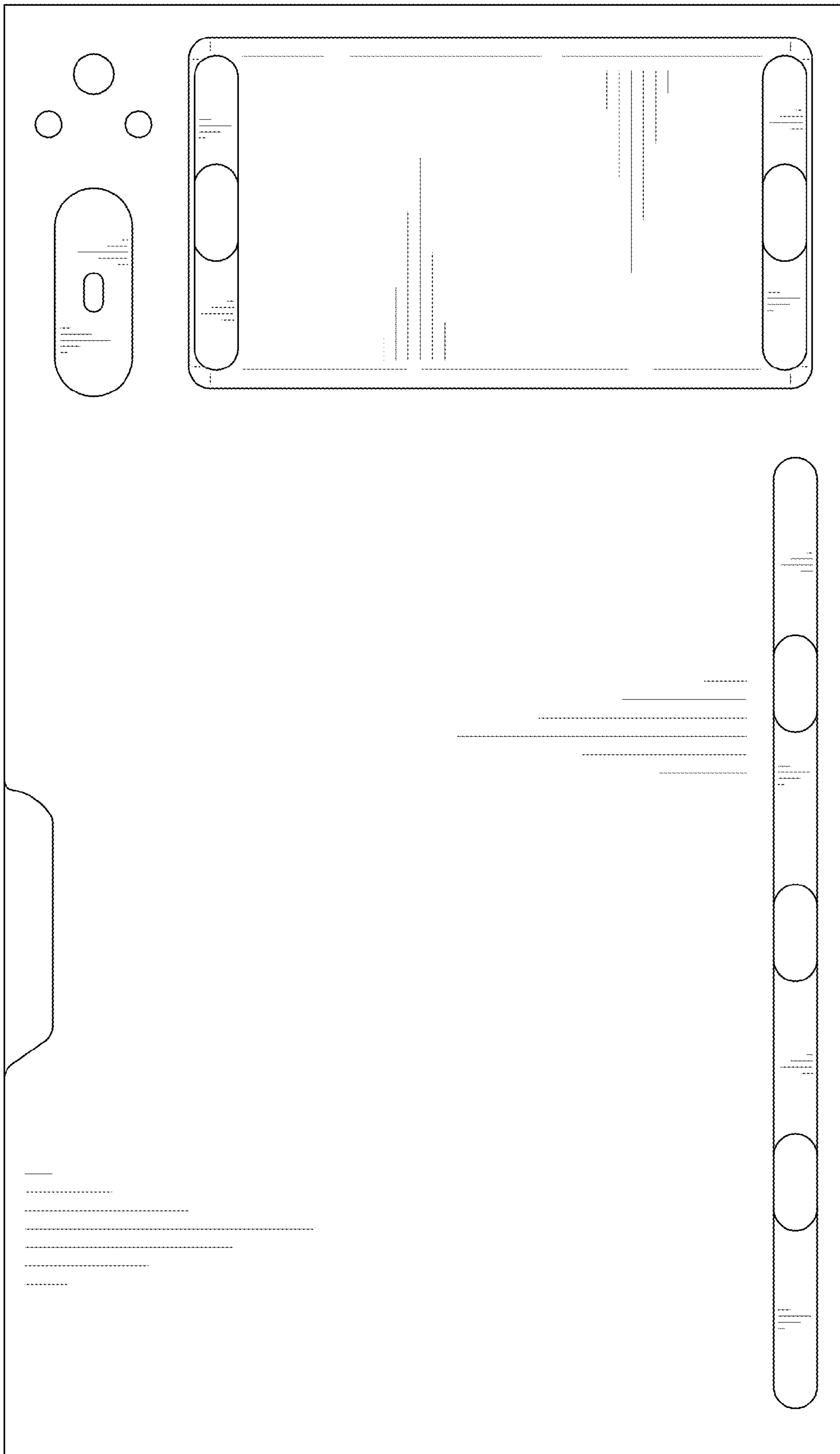


FIG. 7

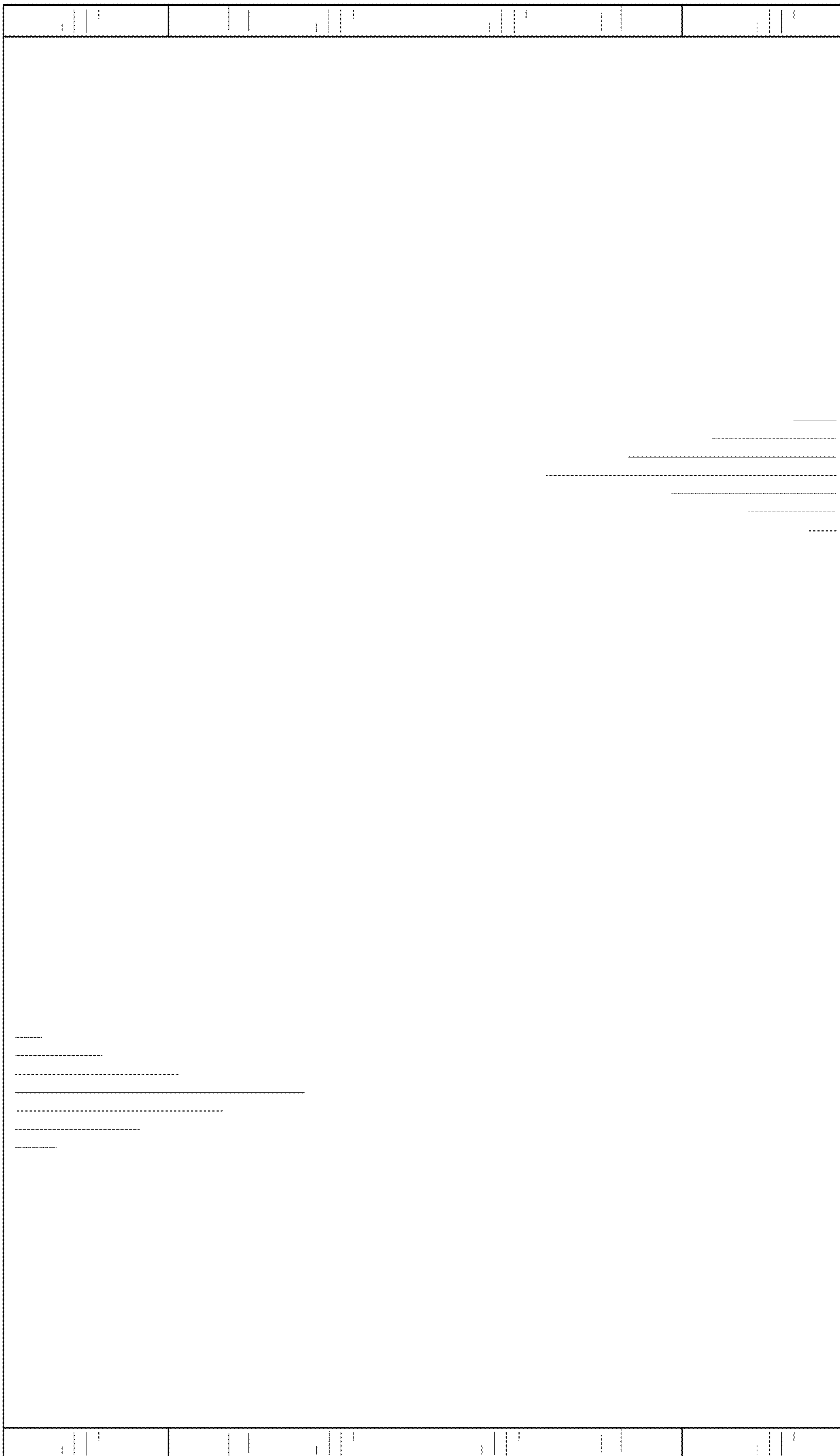


FIG. 8