



US00D977488S

(12) **United States Design Patent** (10) **Patent No.:** **US D977,488 S**
Lin (45) **Date of Patent:** **** Feb. 7, 2023**

(54) **HEAT SINK**

(71) Applicant: **Junbo Lin**, Fengjiang (CN)

(72) Inventor: **Junbo Lin**, Fengjiang (CN)

(**) Term: **15 Years**

(21) Appl. No.: **29/786,228**

(22) Filed: **May 29, 2021**

(51) **LOC (14) Cl.** **14-02**

(52) **U.S. Cl.**
USPC **D14/447; D13/179**

(58) **Field of Classification Search**
USPC D13/179; D14/435, 447
CPC ... F28F 2215/00; F28F 2215/08; H01L 23/40;
H01L 23/367; H01L 23/4093; G06F
1/203

See application file for complete search history.

(56) **References Cited**

U.S. PATENT DOCUMENTS

D568,260 S *	5/2008	Chen	D13/179
D715,748 S *	10/2014	Mira	D13/179
D857,700 S *	8/2019	Zeng	D14/447
D902,936 S *	11/2020	Hong	D14/447
D921,643 S *	6/2021	Jin	D14/447
D926,497 S *	8/2021	Zhou	D14/447
D937,279 S *	11/2021	Zhang	D14/447
D937,844 S *	12/2021	Li	D14/447
D943,596 S *	2/2022	Li	D14/447
D948,519 S *	4/2022	Zhou	D14/447
D950,569 S *	5/2022	Xiong	D14/447
D951,261 S *	5/2022	Zhou	D14/447
2010/0226088 A1 *	9/2010	Huang	G06F 1/203 361/679.48

OTHER PUBLICATIONS

Amazon, "DJOHNS Laptop Cooling Pad . . . ", First on sale Sep. 27, 2021. (<https://www.amazon.com/DJOHNS-Cooling-Computer-Powered-Collapsible/dp/B09H5VR35Z?th=1>) (Year: 2021).*

* cited by examiner

Primary Examiner — April Rivas

(74) *Attorney, Agent, or Firm* — Nora M. Tocups

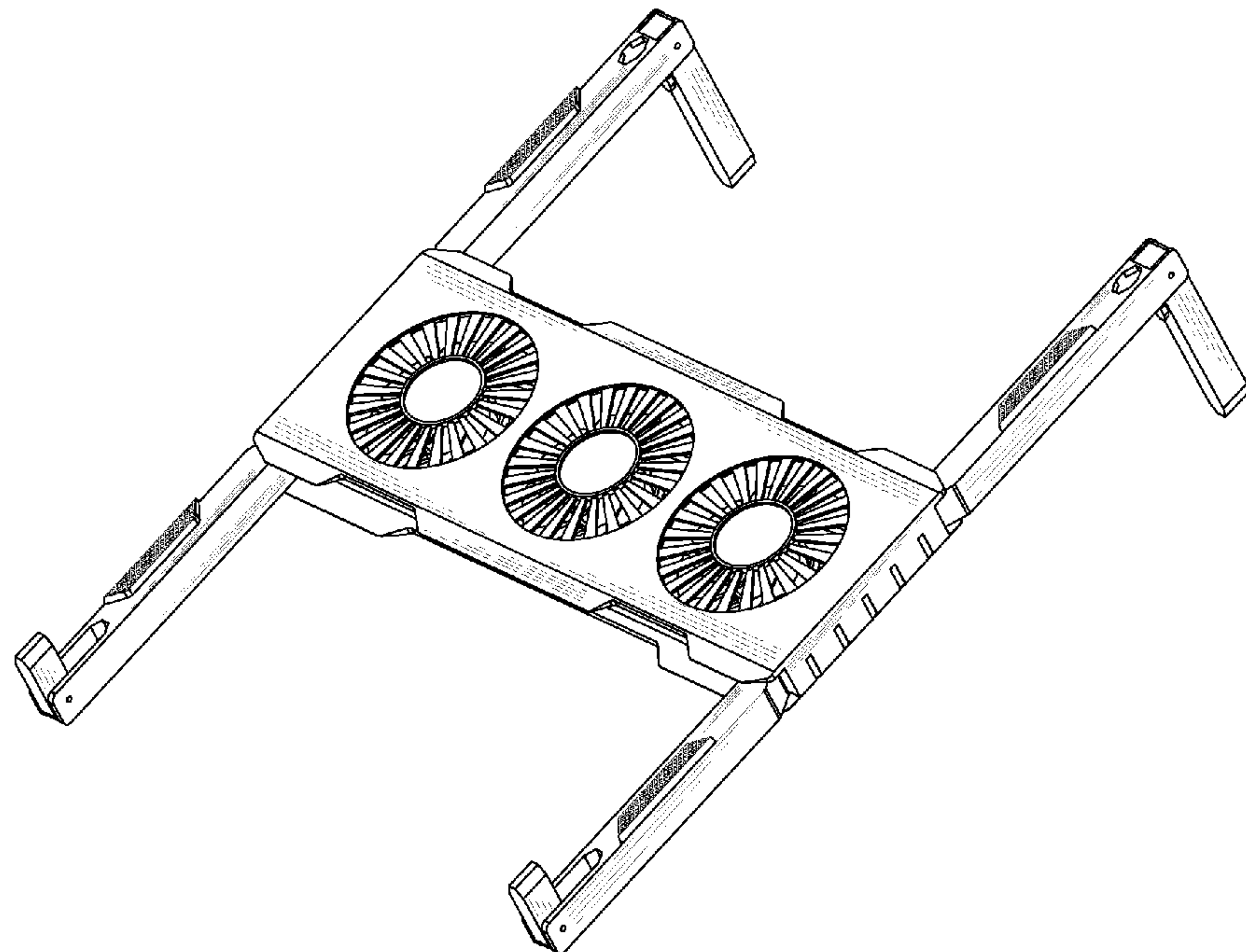
(57) **CLAIM**

The ornamental design for a heat sink, as shown and described.

DESCRIPTION

FIG. 1 is top view of a heat sink with a broken line encircling an element of the heat sink for the purpose of pointing out the location of the element on the heat sink with the element being shown in detail in FIG. 8 and with the broken line forming no part of the claimed design; FIG. 2 is bottom view of the heat sink; FIG. 3 is a back view of the heat sink; FIG. 4 is a front view of the heat sink with a broken line encircling an element of the heat sink for the purpose of pointing out the location of the element on the heat sink with the element being shown in detail in FIG. 9; FIG. 5 is a left side view of the heat sink; FIG. 6 is a right side view of the heat sink; FIG. 7 is a perspective view of the heat sink; FIG. 8 is a top view of the element of the heat sink that is encircled in FIG. 1 and with the broken line forming no part of the claimed design; and, FIG. 9 is a top view of the element of the heat sink that is encircled in FIG. 4 and with the broken line forming no part of the claimed design.

1 Claim, 9 Drawing Sheets



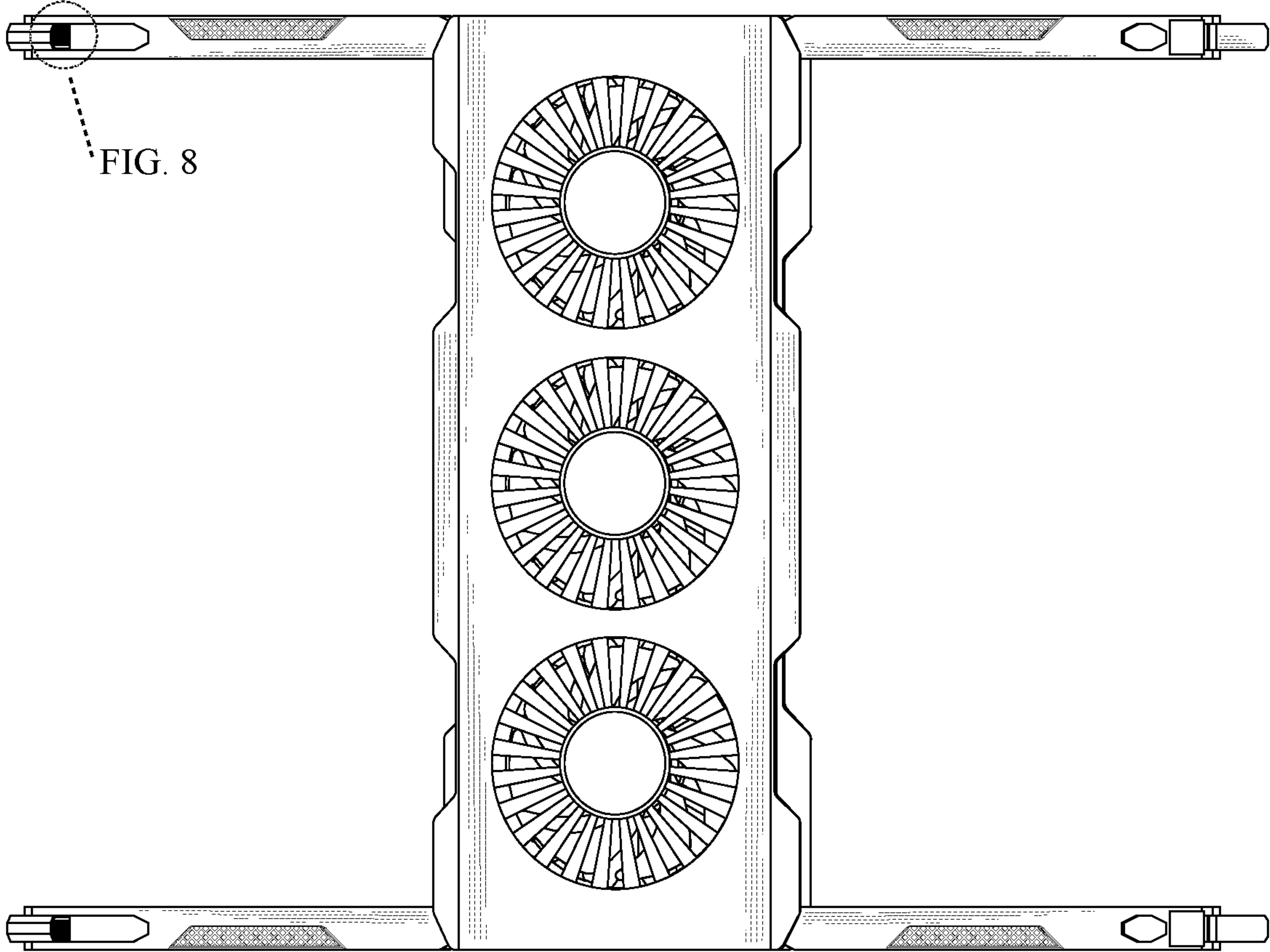


FIG. 8

FIG. 1

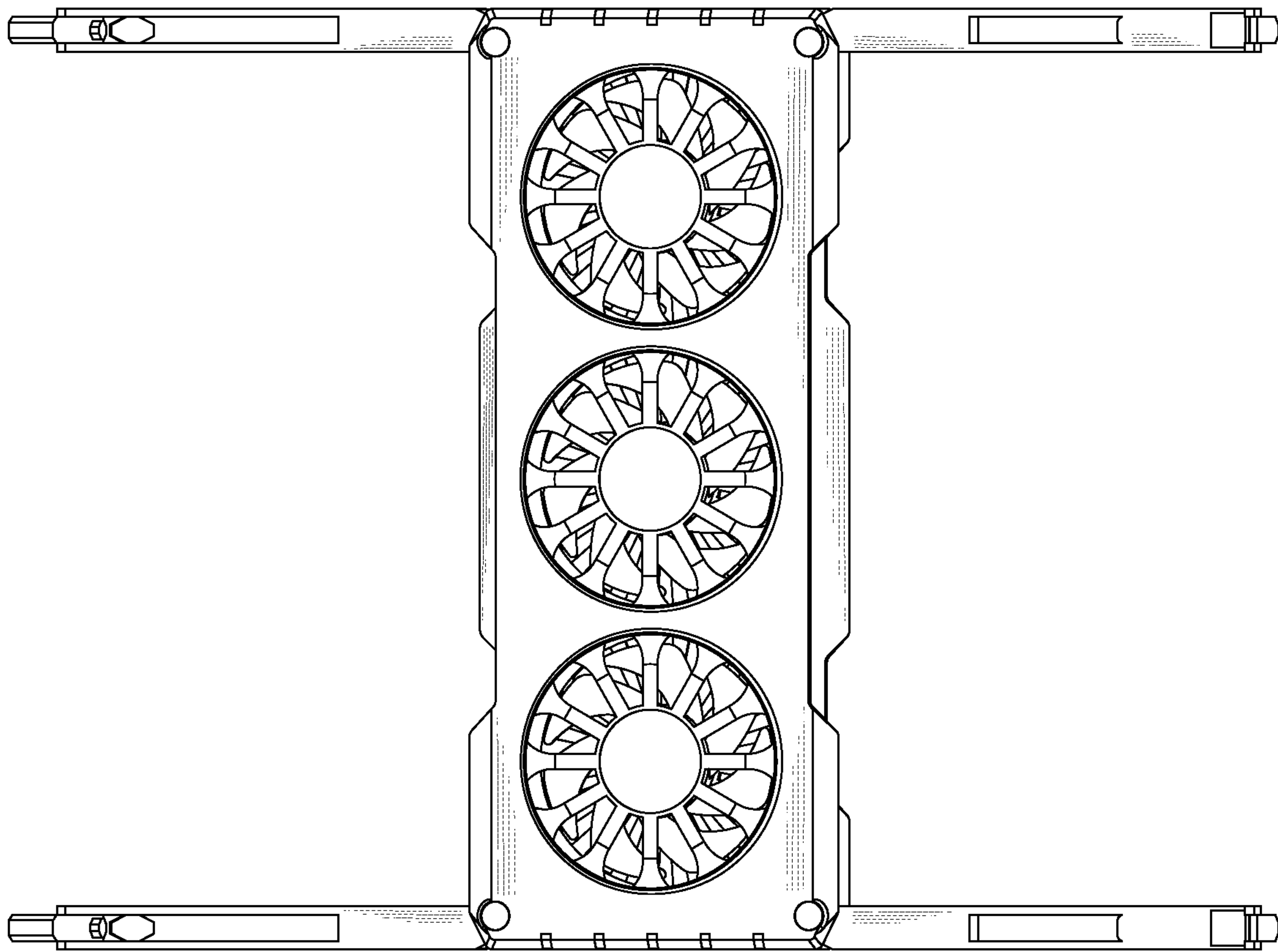


FIG. 2

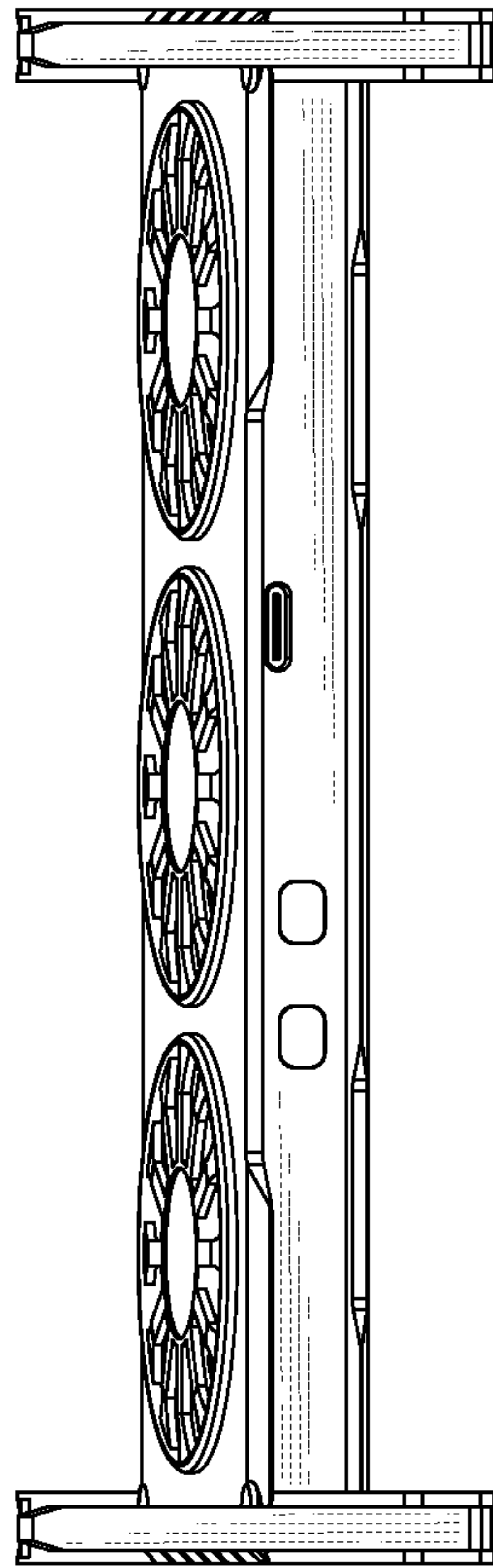


FIG. 3

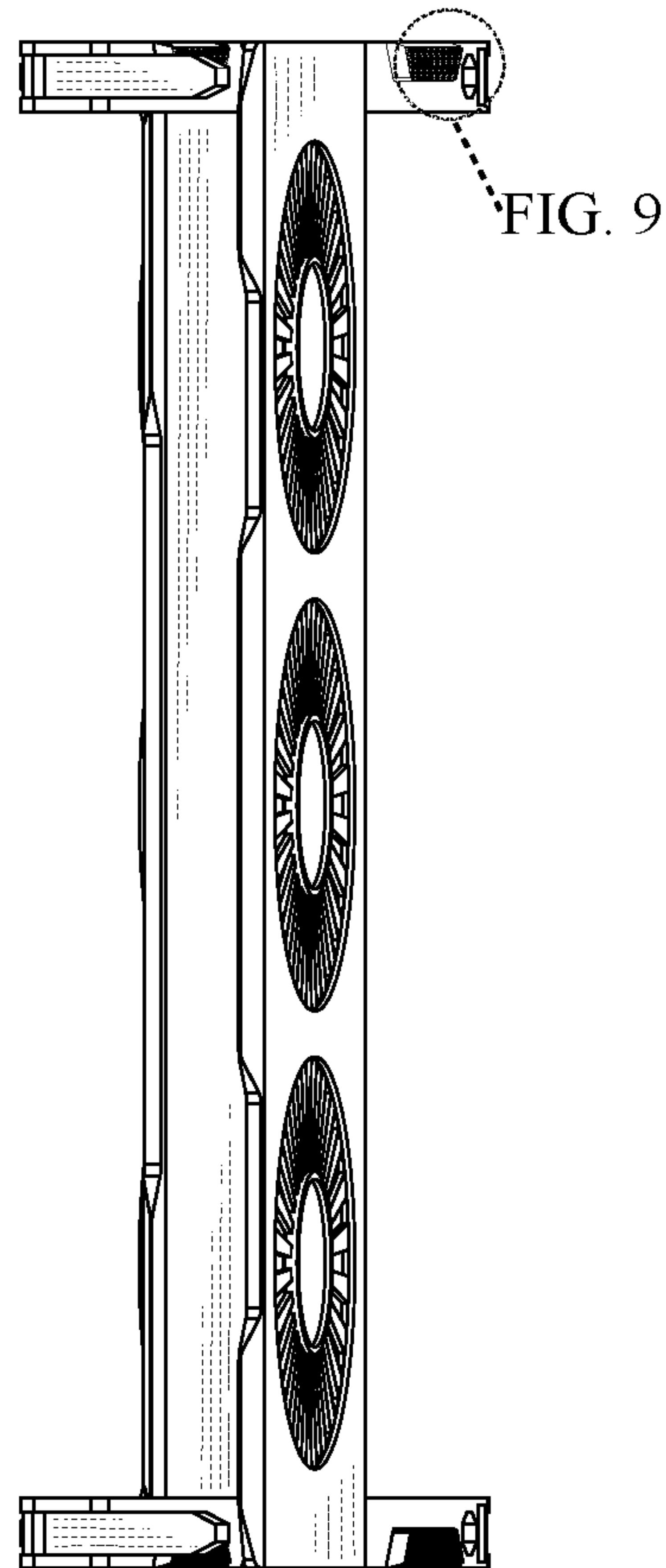


FIG. 4

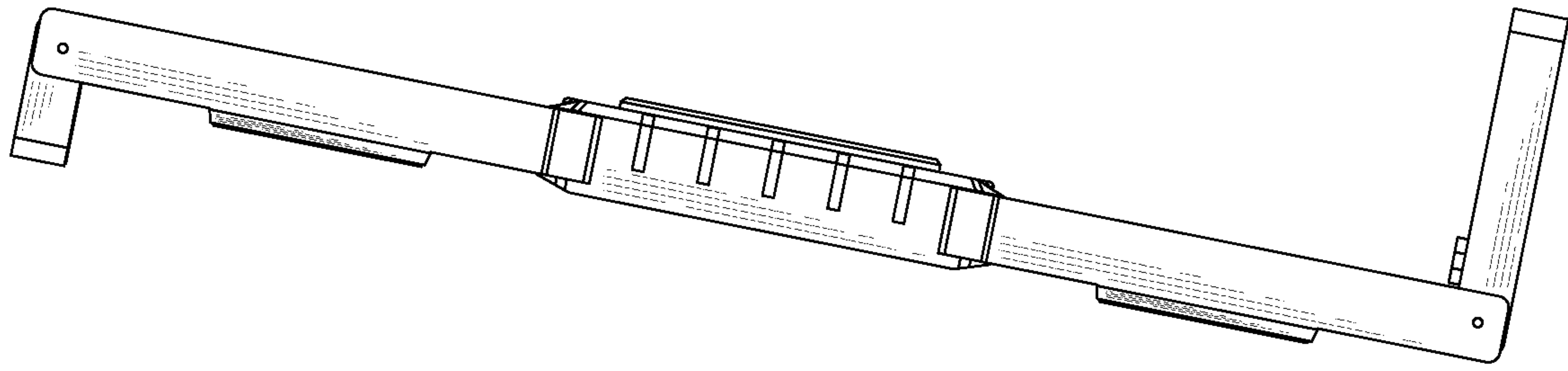


FIG. 5

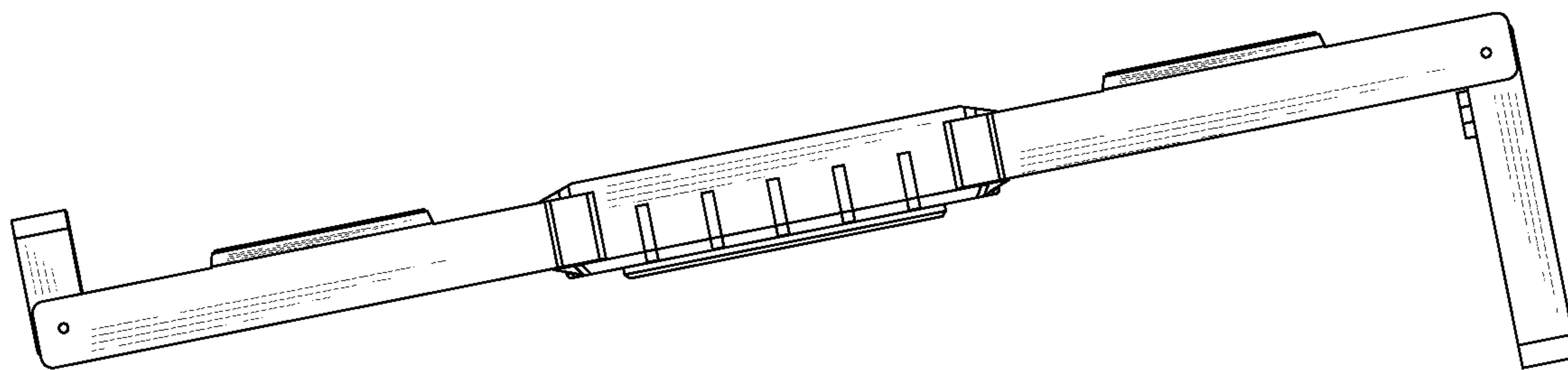


FIG. 6

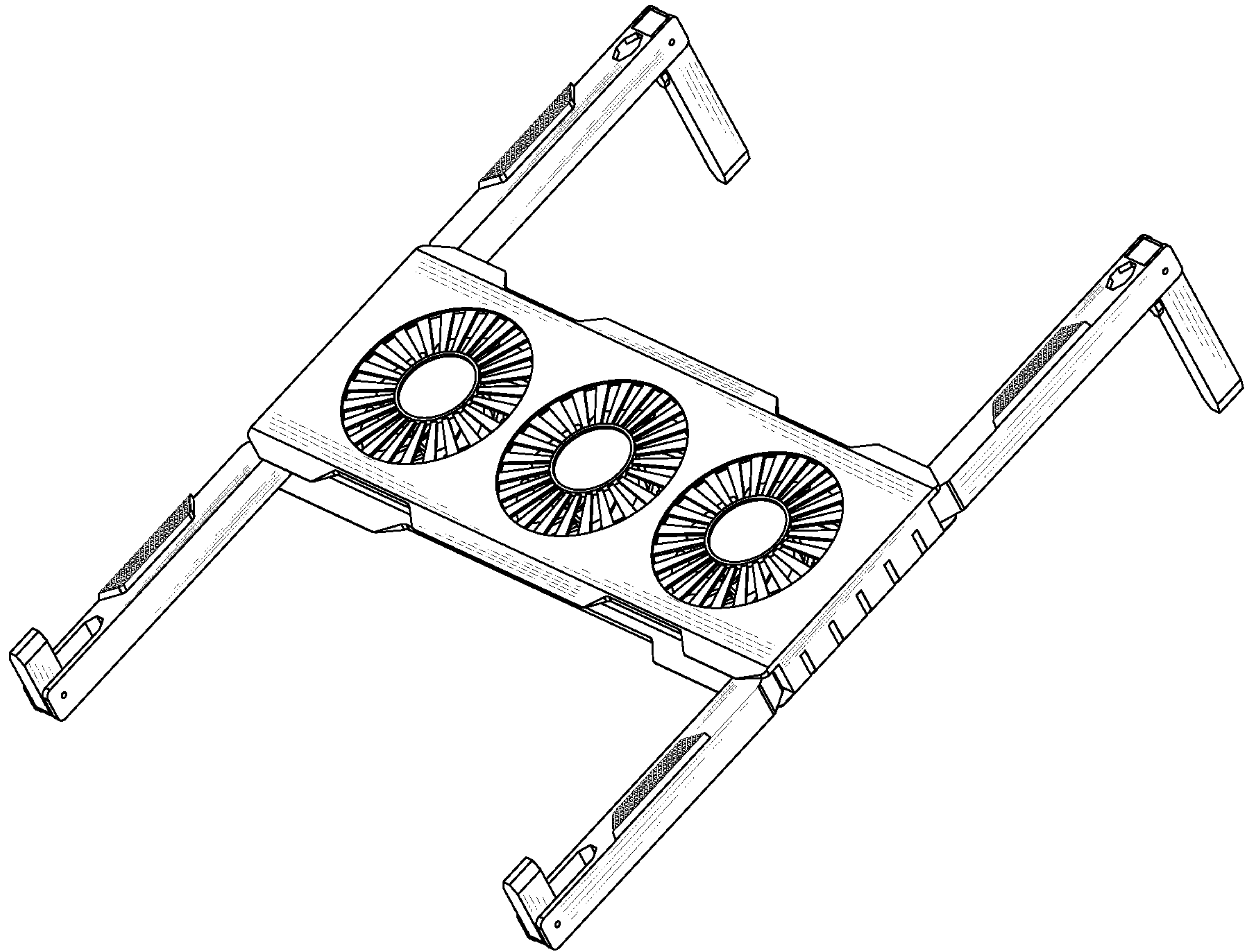


FIG. 7

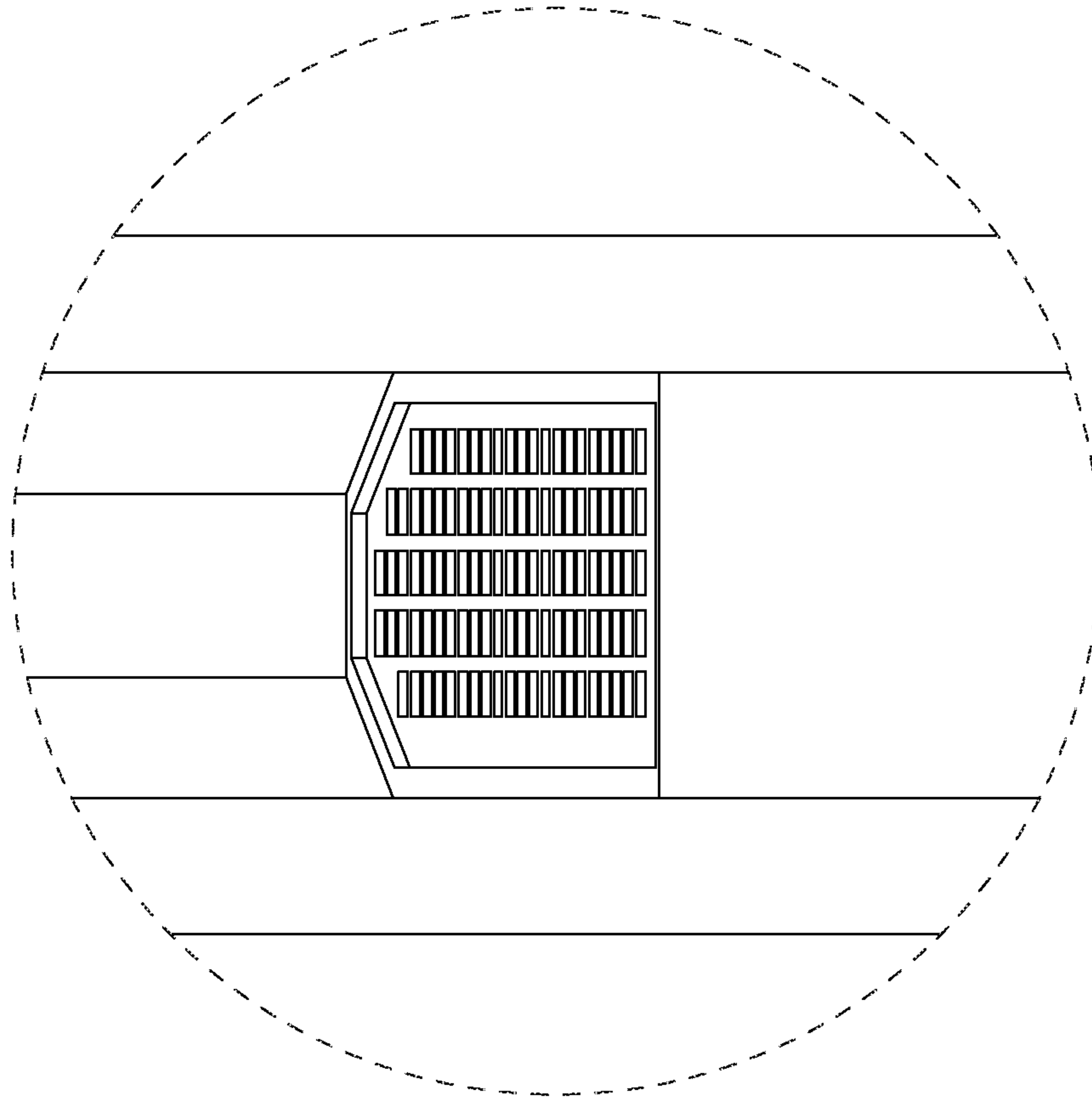


FIG. 8

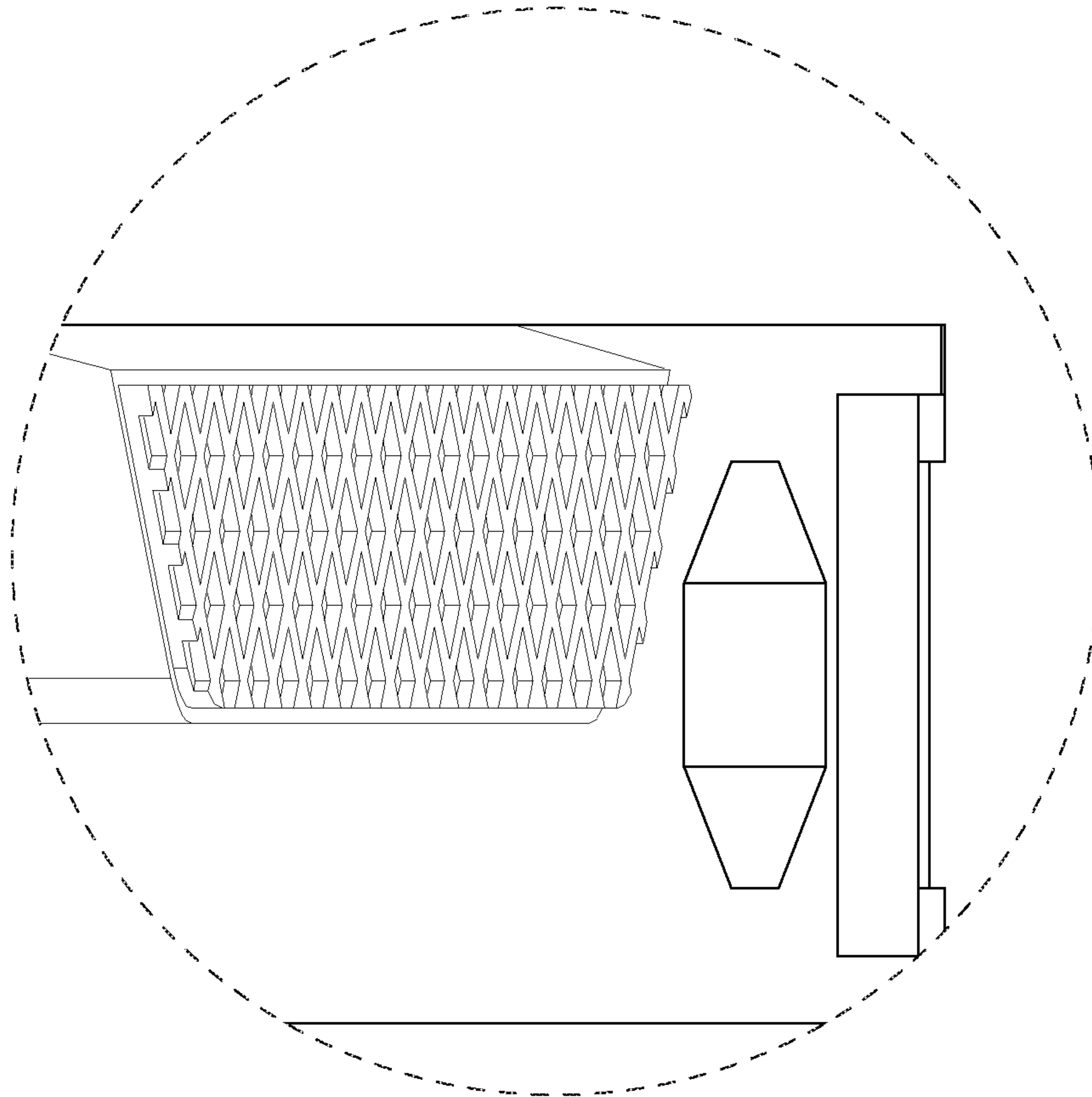


FIG. 9