



US00D977487S

(12) **United States Design Patent** (10) **Patent No.:** **US D977,487 S**
Troedson et al. (45) **Date of Patent:** **** Feb. 7, 2023**

(54) **CASE FOR PORTABLE ELECTRONIC COMPUTING DEVICE**

(71) Applicant: **Pioneer Square Brands, Inc.**, Seattle, WA (US)

(72) Inventors: **Emelie Elna Victoria Troedson**, Seattle, WA (US); **Brian Lewis Piper**, Seattle, WA (US)

(73) Assignee: **Pioneer Square Brands, Inc.**, McLean, VA (US)

(**) Term: **15 Years**

(21) Appl. No.: **29/860,512**

(22) Filed: **Nov. 18, 2022**

(51) **LOC (14) Cl.** **14-02**

(52) **U.S. Cl.**
USPC **D14/440**

(58) **Field of Classification Search**
USPC D14/440, 447, 250; 361/679.55;
206/45.23, 320, 45.2; 294/25;
455/575.8; D3/294

CPC ... G06F 1/1628; G06F 1/1626; A47B 23/044;
A45C 11/00
See application file for complete search history.

(56) **References Cited**

U.S. PATENT DOCUMENTS

D681,641 S	5/2013	Van Den Nieuwenhuizen et al.
D710,857 S	* 8/2014	Mecchella D14/440
D721,080 S	1/2015	Mecchella et al.
D724,093 S	3/2015	Dong
D727,915 S	4/2015	Mecchella et al.
D789,937 S	6/2017	Zhang
D801,976 S	11/2017	Li
D808,395 S	1/2018	Fenton
D810,732 S	2/2018	Fenton et al.

D812,620 S	3/2018	Cheng	
D816,087 S	4/2018	Fenton et al.	
D817,334 S	5/2018	Fenton et al.	
D819,038 S	5/2018	Diebel	
D837,796 S	1/2019	Kim et al.	
D841,012 S	2/2019	Kim et al.	
D841,013 S	2/2019	Ferren et al.	
D844,611 S	4/2019	Ferren et al.	
D848,441 S	5/2019	Ferren et al.	
D850,454 S	6/2019	Kim et al.	
D851,093 S	* 6/2019	Moore	D14/440
D852,199 S	6/2019	Kim et al.	
D852,200 S	6/2019	Chan et al.	
D852,201 S	6/2019	Chan et al.	
D861,698 S	10/2019	Fenton et al.	
D862,480 S	10/2019	Chan et al.	
D863,314 S	10/2019	Chan et al.	
D863,315 S	10/2019	Chan et al.	
D863,316 S	10/2019	Chan et al.	

(Continued)

Primary Examiner — Cynthia R Underwood

(74) *Attorney, Agent, or Firm* — Grandview Law

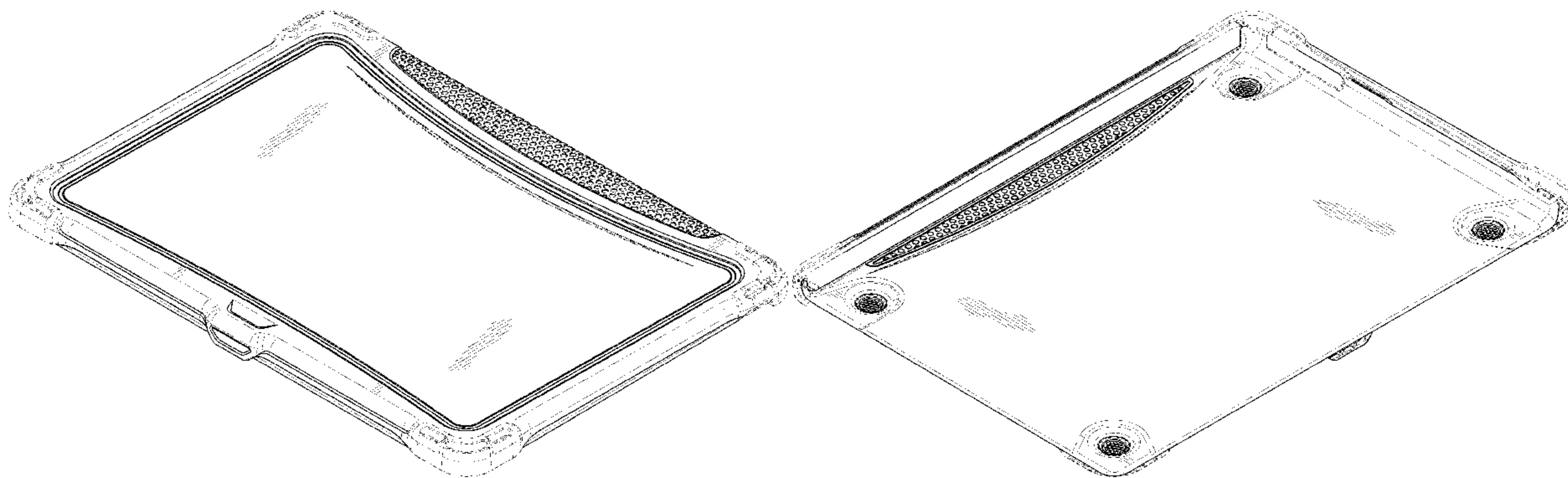
(57) **CLAIM**

The ornamental design for a case for portable electronic computing device, as shown and described.

DESCRIPTION

FIG. 1 is a top perspective view of a case for portable electronic computing device showing my new design. FIG. 2 is a bottom perspective view thereof. FIG. 3 is a front elevational view thereof. FIG. 4 is a rear elevational view thereof. FIG. 5 is a right elevational view thereof. FIG. 6 is a left elevational view thereof. FIG. 7 is a top plan view thereof; and, FIG. 8 is a bottom plan view thereof. The broken lines in the figures depict features of the case for portable electronic computing device that form no part of the claimed design.

1 Claim, 8 Drawing Sheets



(56)

References Cited

U.S. PATENT DOCUMENTS

D863,317 S	*	10/2019	Piper	D14/440	D932,493 S	10/2021	Xiong		
D864,210 S		10/2019	Chan et al.		D933,074 S	10/2021	Hu		
D868,788 S		12/2019	Weng		D934,262 S	10/2021	Manzano et al.		
D874,467 S		2/2020	Piper et al.		11,197,524 B1 *	12/2021	Piper	A45C 11/00	
D877,509 S		3/2020	Kilkenny		D940,145 S	1/2022	Zhang		
D881,895 S		4/2020	Liu		D943,591 S	2/2022	Zhu		
D887,415 S		6/2020	Claudepierre et al.		D943,593 S	2/2022	Piper		
D888,063 S		6/2020	Chan et al.		D941,823 S	6/2022	Hu		
D888,720 S		6/2020	Moore		11,360,511 B1 *	6/2022	Piper	A45C 11/00	
D892,806 S		8/2020	Manzano et al.		D963,654 S	9/2022	Yan		
D895,630 S	*	9/2020	Piper	D14/440	D964,994 S	9/2022	Chan et al.		
D902,215 S		11/2020	Quan		D964,995 S	9/2022	Troedson et al.		
D902,934 S	*	11/2020	Manzano	D14/440	D964,996 S	9/2022	Piper		
D908,708 S	*	1/2021	Miller	D14/440	D964,997 S	9/2022	Chan		
D913,295 S		3/2021	Piper et al.		D964,998 S	*	9/2022	Troedson	D14/440
D920,337 S	*	5/2021	Chan	D14/440	D965,599 S	10/2022	Piper		
D920,983 S		6/2021	Chan et al.		D966,272 S	10/2022	Chan		
D922,392 S		6/2021	Chan et al.		D966,273 S	10/2022	Chan et al.		
D926,194 S	*	7/2021	Piper	D14/440	D967,112 S	*	10/2022	Troedson	D14/440
D930,002 S		9/2021	Zhou		D967,114 S	10/2022	Piper		
					D967,828 S	10/2022	Cheng		
					D967,830 S	10/2022	Cheng		
					D969,134 S	11/2022	Chan		

* cited by examiner

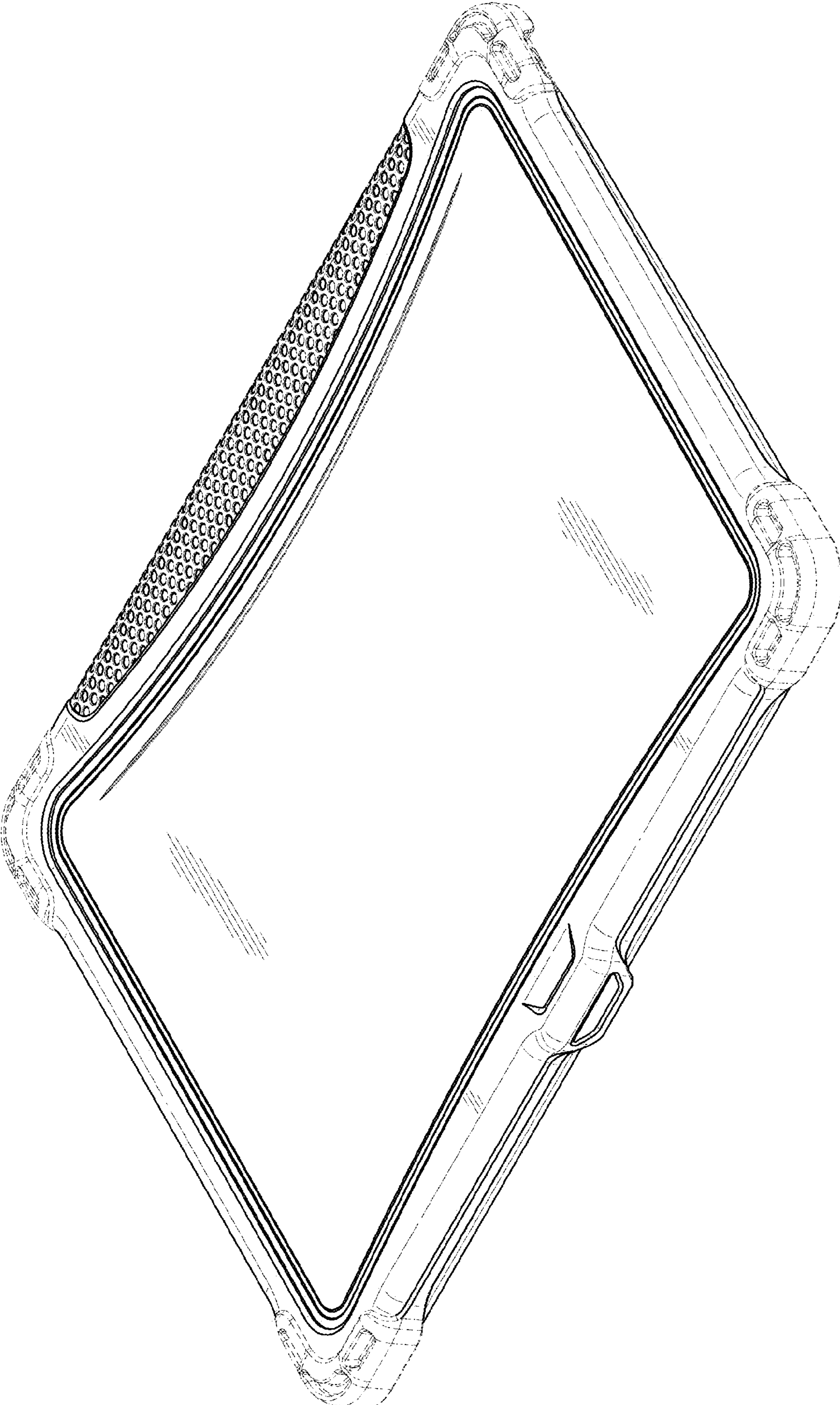


FIG. 1

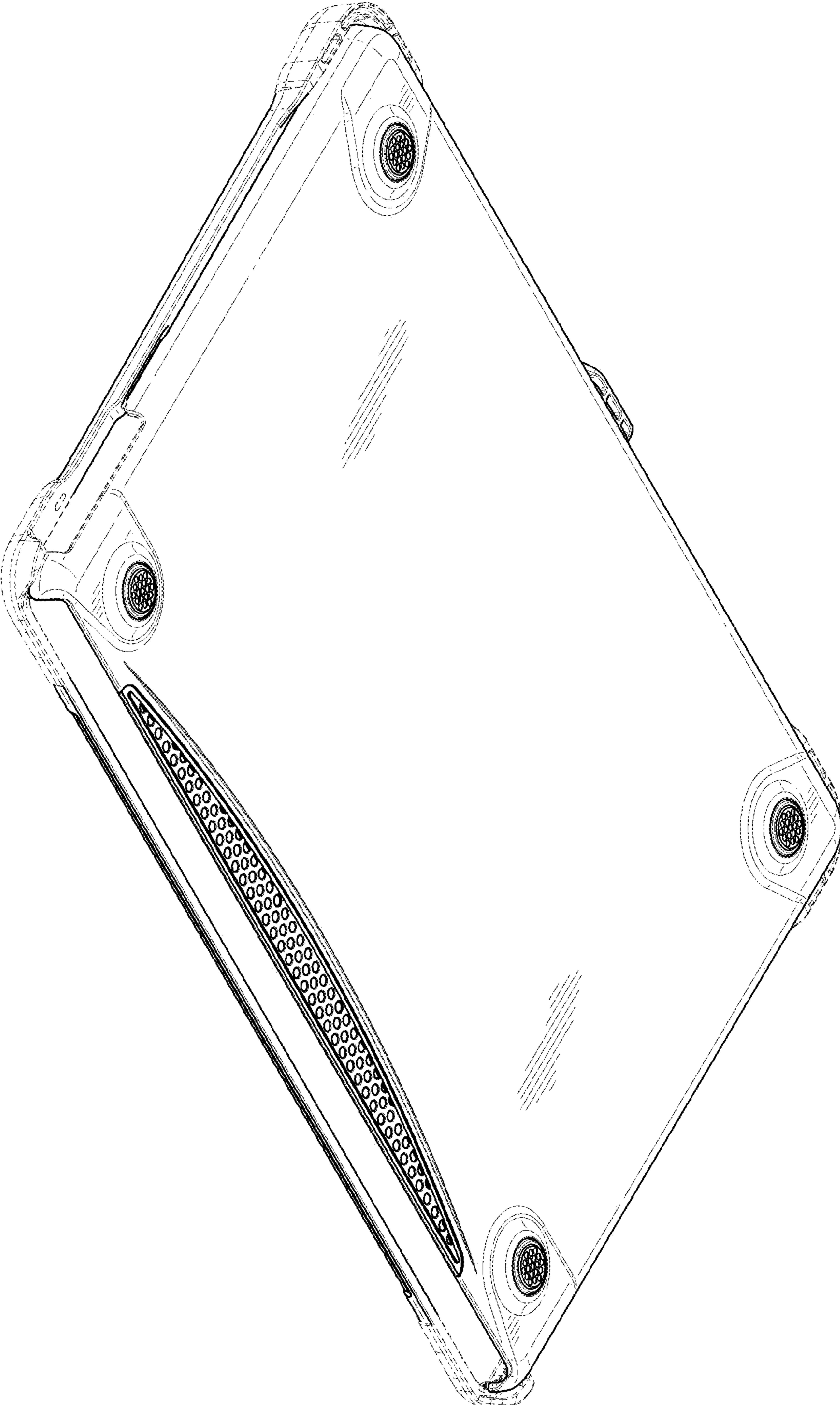


FIG. 2

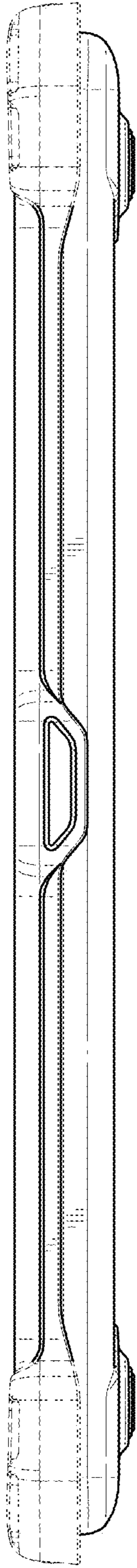


FIG. 3

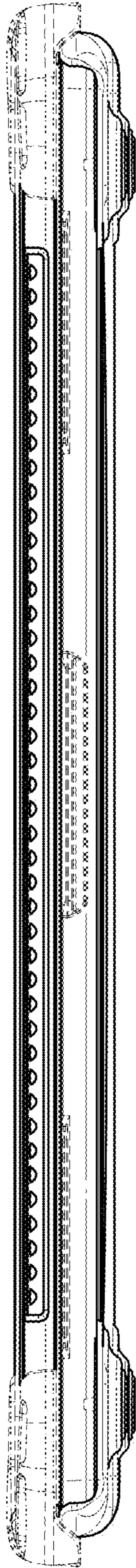


FIG. 4

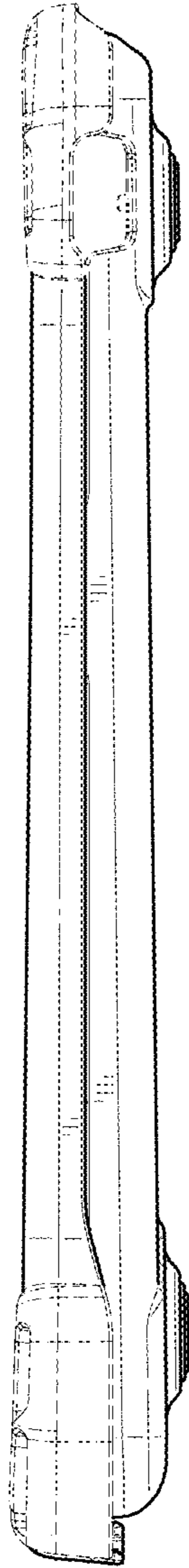


FIG. 5

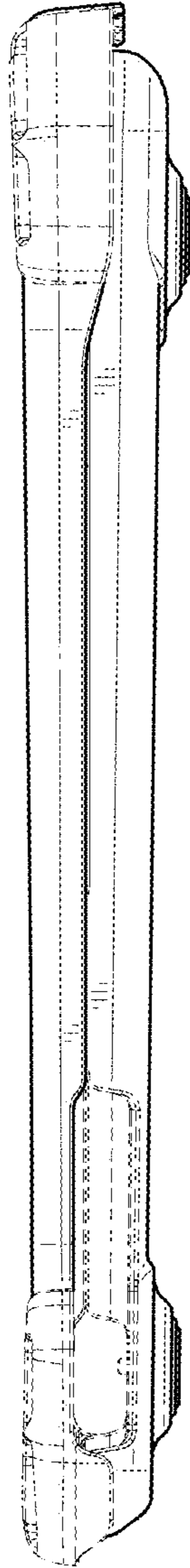


FIG. 6

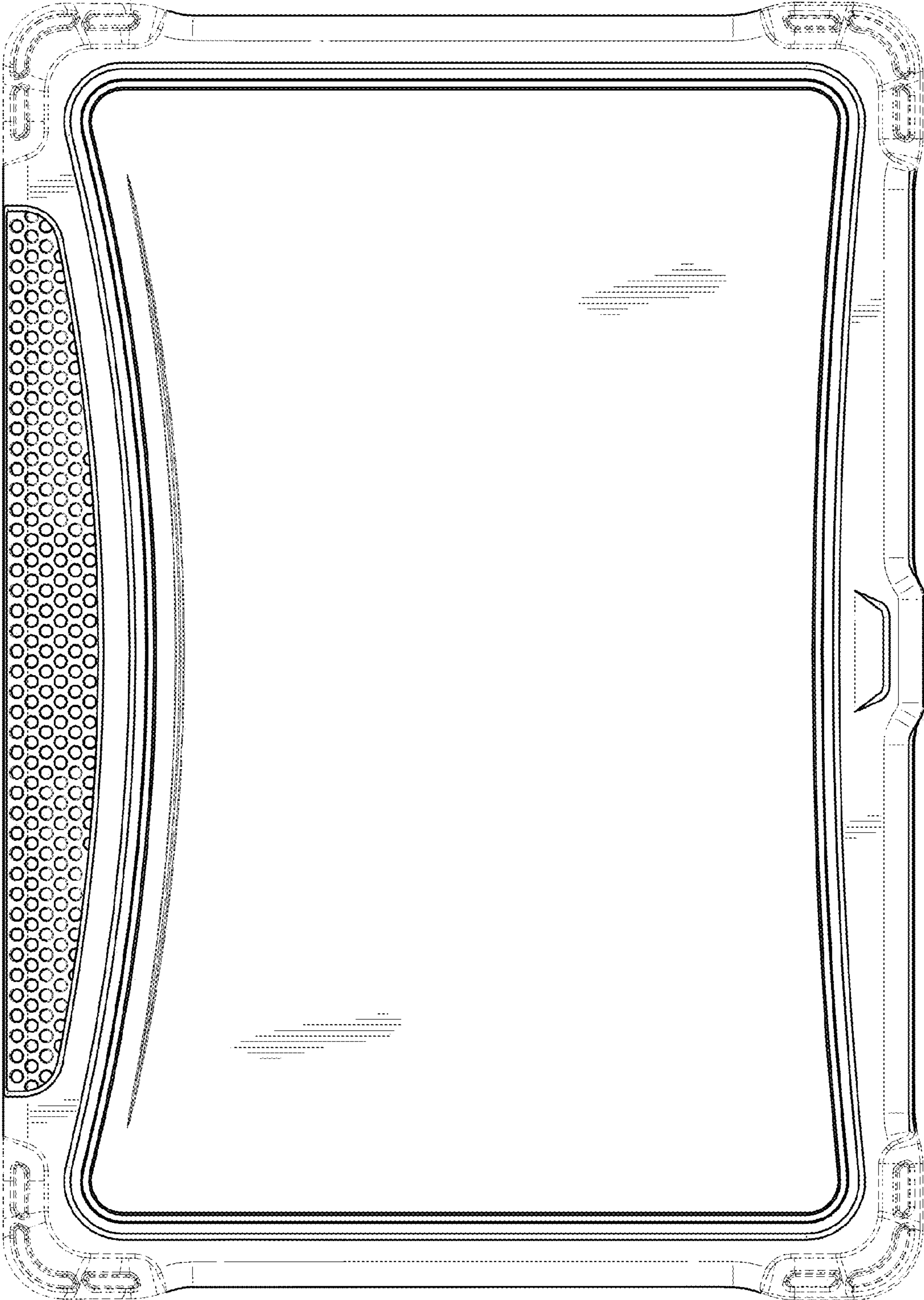


FIG. 7

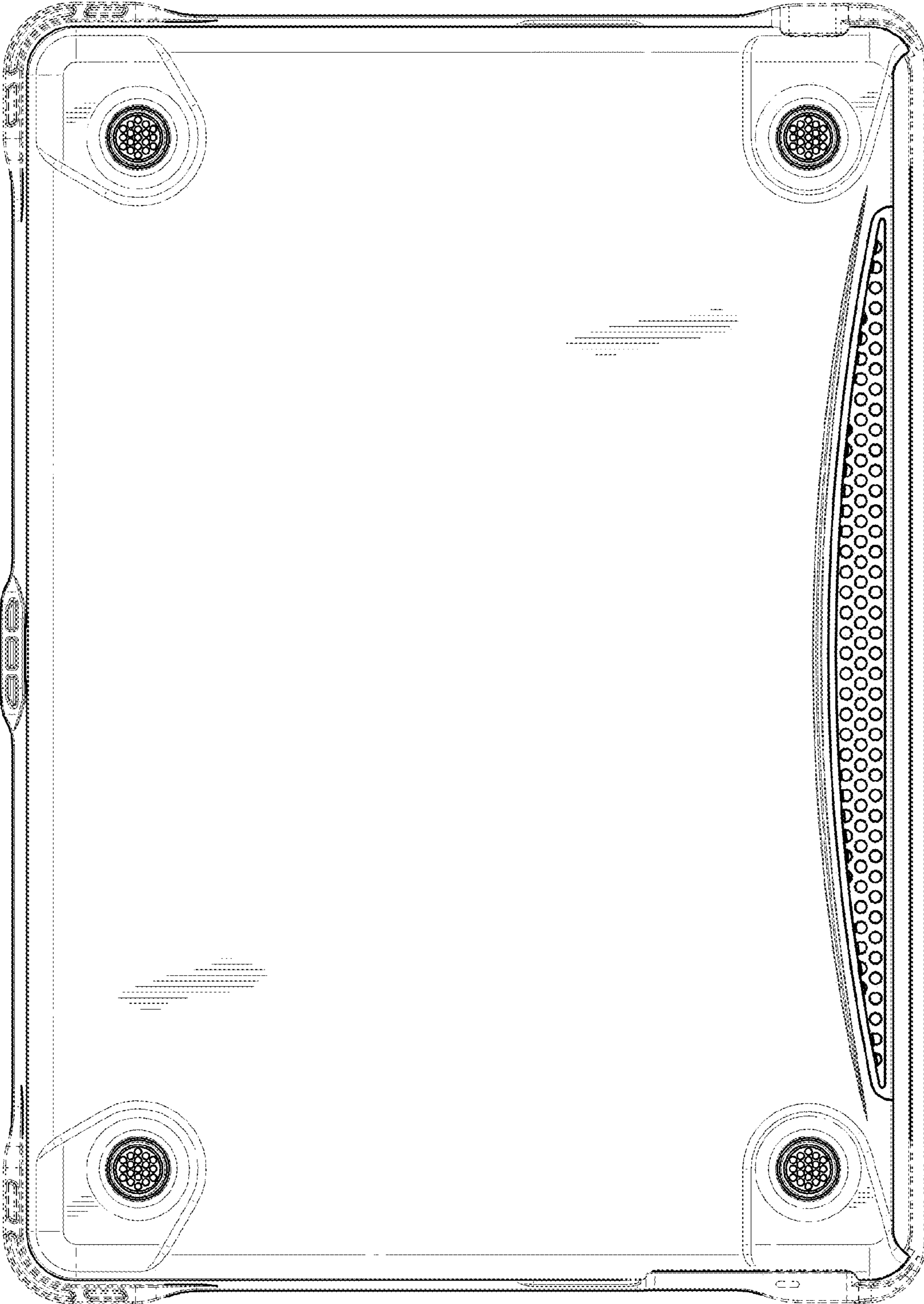


FIG. 8