



US00D977486S

(12) **United States Design Patent**  
**Wang et al.**

(10) **Patent No.:** **US D977,486 S**

(45) **Date of Patent:** **\*\* Feb. 7, 2023**

- (54) **TABLET KEYBOARD CASE**
- (71) Applicant: **Qiao Dong**, Shenzhen (CN)
- (72) Inventors: **Shanmian Wang**, Shenzhen (CN);  
**Qiao Dong**, Shenzhen (CN)
- (73) Assignee: **Qiao Dong**, Shenzhen (CN)
- (\*\*) Term: **15 Years**
- (21) Appl. No.: **29/840,872**
- (22) Filed: **Jun. 1, 2022**
- (30) **Foreign Application Priority Data**  
Feb. 14, 2022 (CN) ..... 202230071526.4
- (51) **LOC (14) Cl.** ..... **14-02**
- (52) **U.S. Cl.**  
USPC ..... **D14/440**
- (58) **Field of Classification Search**  
USPC ..... D14/250, 440, 432, 447  
CPC ... H04B 1/3888; B32B 38/1841; B32B 37/26;  
G06F 1/166; G06F 1/1667  
See application file for complete search history.

- (56) **References Cited**  
U.S. PATENT DOCUMENTS
- |              |         |           |       |         |
|--------------|---------|-----------|-------|---------|
| D504,129 S * | 4/2005  | Loew      | ..... | D14/318 |
| D672,352 S * | 12/2012 | Gengler   | ..... | D14/440 |
| D679,277 S * | 4/2013  | Probst    | ..... | D14/440 |
| D722,602 S * | 2/2015  | Schoenith | ..... | D14/440 |
| D740,802 S * | 10/2015 | Hsu       | ..... | D14/316 |
| D763,249 S * | 8/2016  | Lee       | ..... | D14/315 |
| D826,924 S * | 8/2018  | Lee       | ..... | D14/315 |
| D832,854 S * | 11/2018 | Jinkinson | ..... | D14/440 |
| D838,714 S * | 1/2019  | Lin       | ..... | D14/318 |
| D861,000 S * | 9/2019  | Zhao      | ..... | D14/440 |
| D880,485 S * | 4/2020  | Zhu       | ..... | D14/440 |
| D892,128 S   | 8/2020  | Chen      |       |         |
| D912,063 S   | 3/2021  | Yan       |       |         |

- D914,668 S \* 3/2021 Lee ..... D14/315
- D916,696 S \* 4/2021 Yang ..... D14/315
- D918,214 S \* 5/2021 Chen ..... D14/440
- D928,165 S \* 8/2021 Li ..... D14/440
- 11,106,285 B1 \* 8/2021 Piper ..... G06F 3/0221
- 11,294,426 B1 \* 4/2022 Piper ..... G06F 1/1669
- D966,257 S \* 10/2022 Lee ..... D14/327

(Continued)

**FOREIGN PATENT DOCUMENTS**

WO D087537-005 \* 12/2017

**OTHER PUBLICATIONS**

Original Xiaomi Mi Pad 5, AliXpress website reviews 2022, site visited Dec. 16, 2022, [https://www.aliexpress.us/item/3256803129158282.html?gatewayAdapt=glo2usa&\\_randl\\_shipto=US.\\*](https://www.aliexpress.us/item/3256803129158282.html?gatewayAdapt=glo2usa&_randl_shipto=US.*)

(Continued)

*Primary Examiner* — John R Yeh  
(74) *Attorney, Agent, or Firm* — Georgi Korobanov

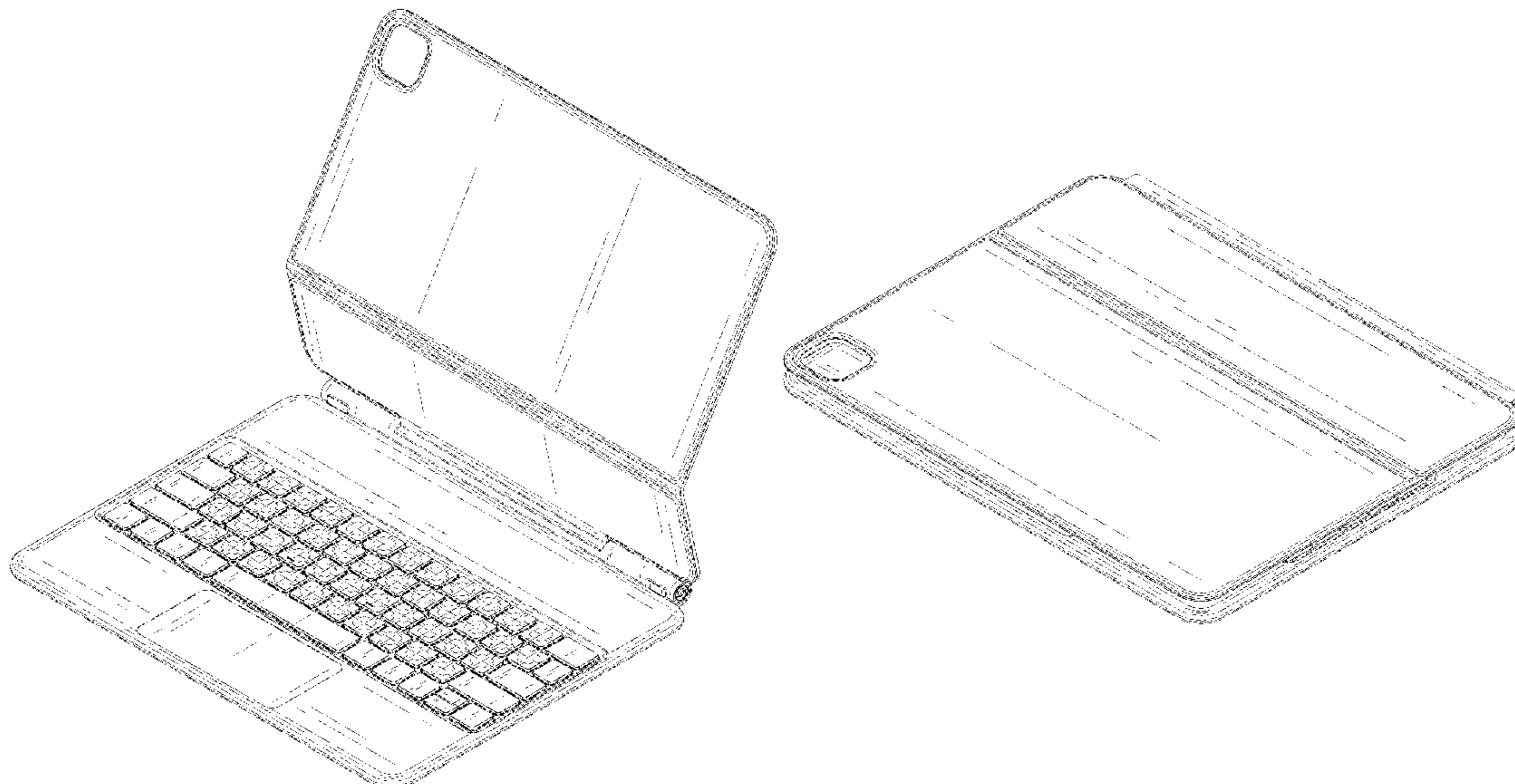
(57) **CLAIM**

The ornamental design for a tablet keyboard case, as shown and described.

**DESCRIPTION**

FIG. 1 is a perspective view of a tablet keyboard case, showing our new design;  
FIG. 2 is another perspective view thereof;  
FIG. 3 is a perspective view of the design in a closed status;  
FIG. 4 is another perspective view thereof;  
FIG. 5 is front view of the design shown in FIG. 1;  
FIG. 6 is a rear view thereof;  
FIG. 7 is a left side view thereof;  
FIG. 8 is a right side view thereof;  
FIG. 9 is a top plan view thereof; and,  
FIG. 10 is a bottom plan view thereof.

**1 Claim, 10 Drawing Sheets**



(56)

**References Cited**

U.S. PATENT DOCUMENTS

2006/0243878 A1\* 11/2006 Saad ..... G06F 1/203  
248/346.01  
2007/0236908 A1\* 10/2007 Yukawa ..... G06F 1/1686  
362/23.15  
2008/0142662 A1\* 6/2008 Leung ..... G06F 1/1632  
248/346.01  
2011/0110670 A1\* 5/2011 Atkinson ..... G06F 1/1681  
361/679.21  
2011/0235275 A1\* 9/2011 Su ..... G06F 1/1667  
361/679.01  
2012/0293938 A1\* 11/2012 Dai ..... G06F 1/1681  
361/679.44  
2013/0214661 A1\* 8/2013 McBroom ..... G06F 1/166  
312/325  
2013/0308263 A1\* 11/2013 Dondurur ..... G06F 1/1667  
361/679.12  
2014/0211393 A1\* 7/2014 Lee ..... G06F 1/1632  
361/679.12  
2015/0301566 A1\* 10/2015 Santiago ..... F16M 13/00  
248/157  
2017/0168526 A1\* 6/2017 Fujikawa ..... G06F 1/1616  
2018/0081402 A1\* 3/2018 Smith ..... G06F 3/0202  
2018/0107253 A1\* 4/2018 Landwehr ..... G06F 1/1681

OTHER PUBLICATIONS

Best Keyboard Cases for Tablets, Rolling Stone article date Feb. 2022, site visited Dec. 16, 2022, <https://www.rollingstone.com/product-recommendations/electronics/best-tablet-keyboard-case-1299278/>.\*

\* cited by examiner



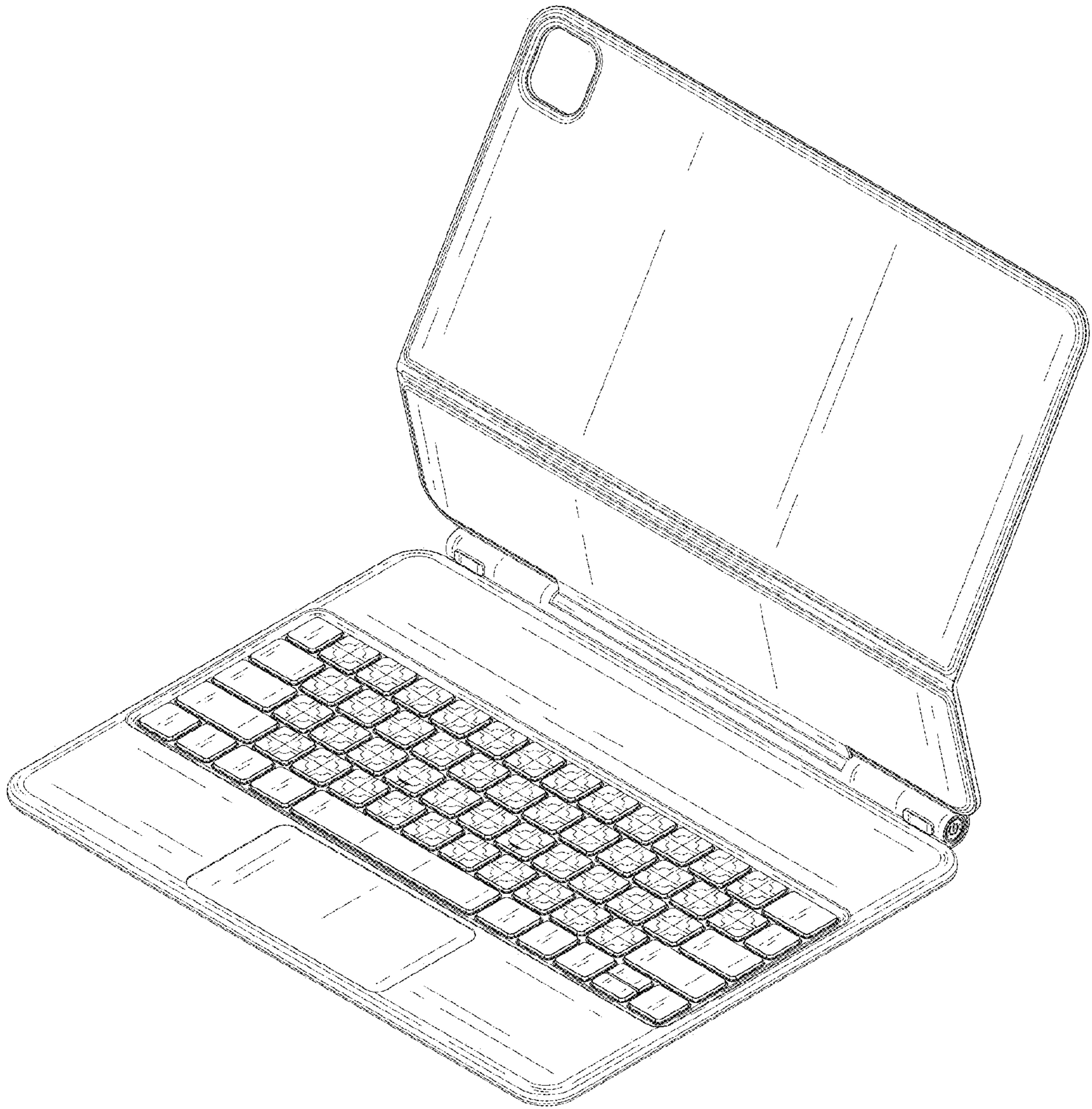


FIG. 1

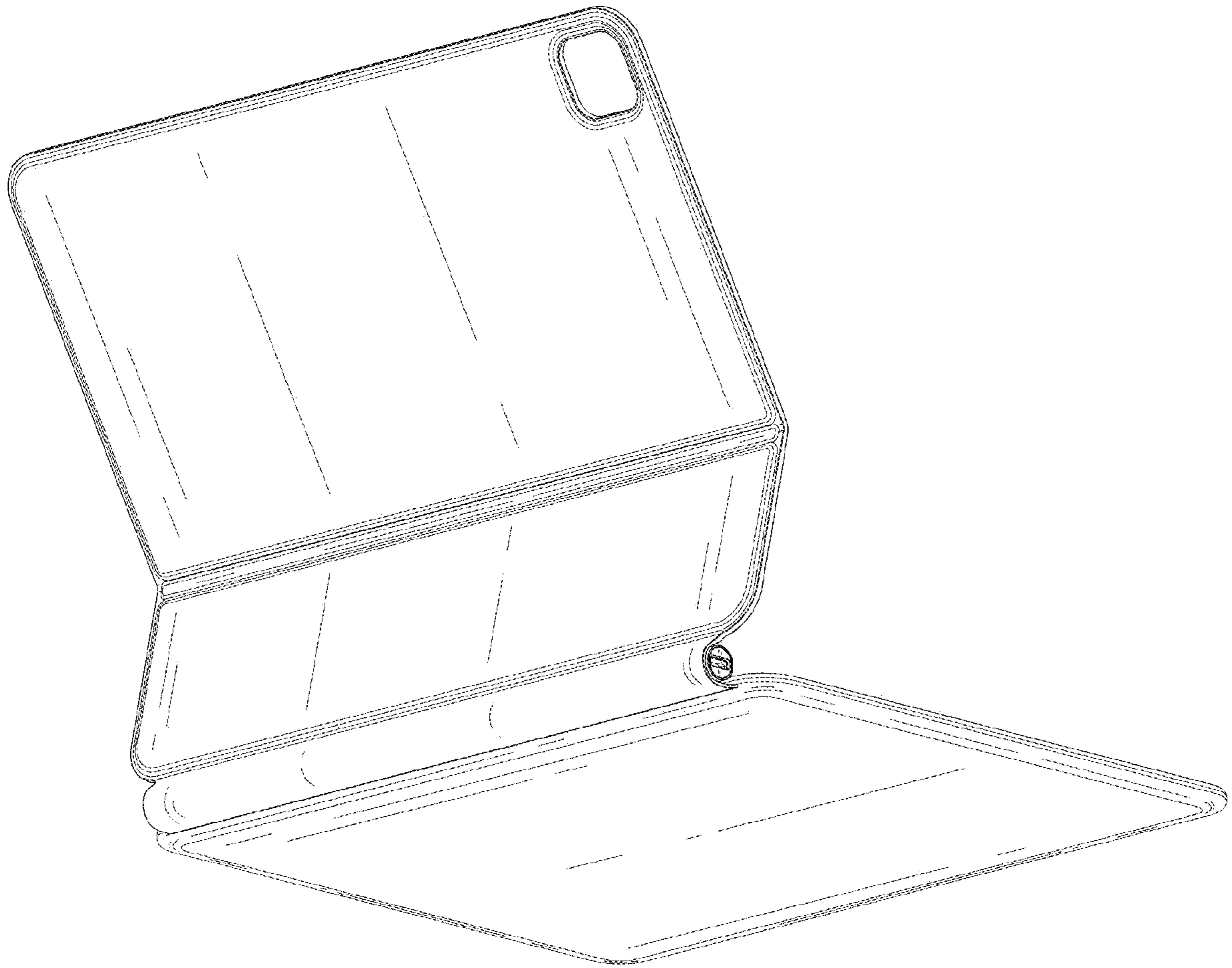


FIG. 2

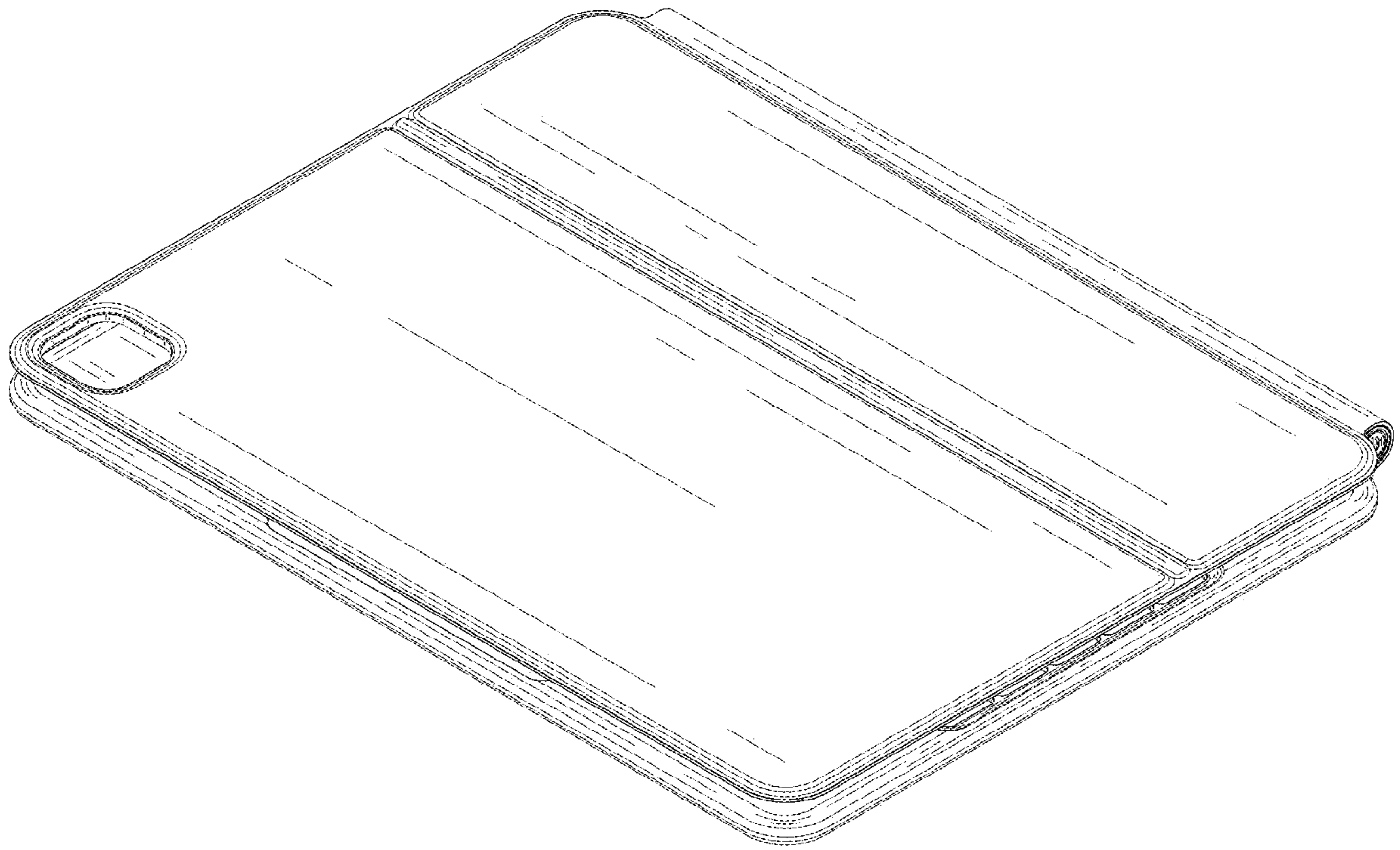


FIG. 3

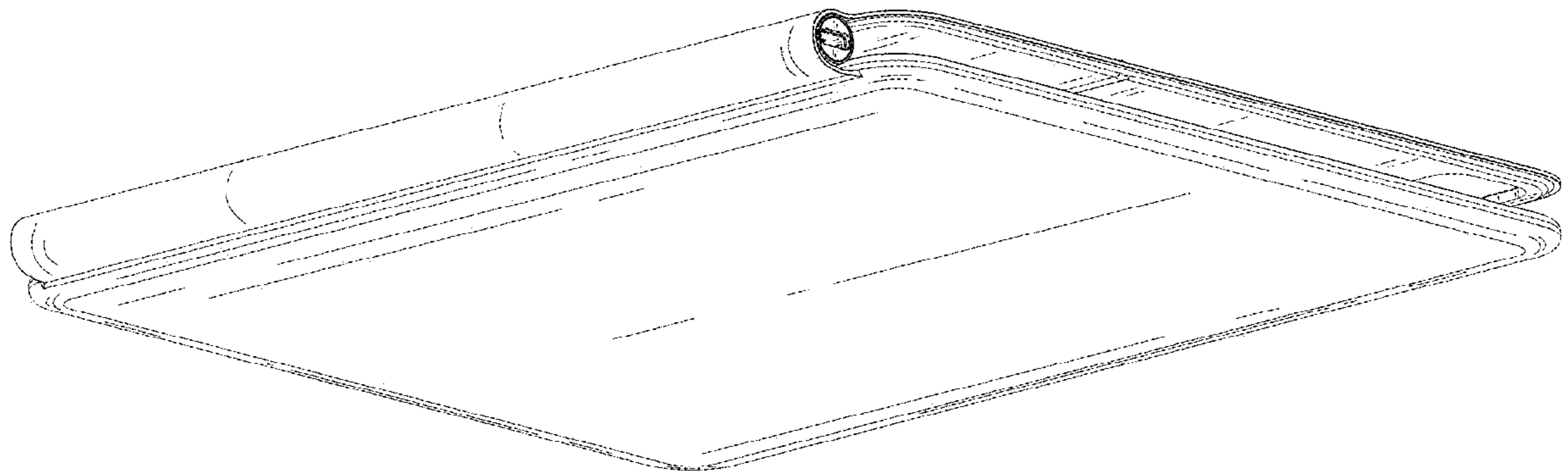


FIG. 4





FIG. 5

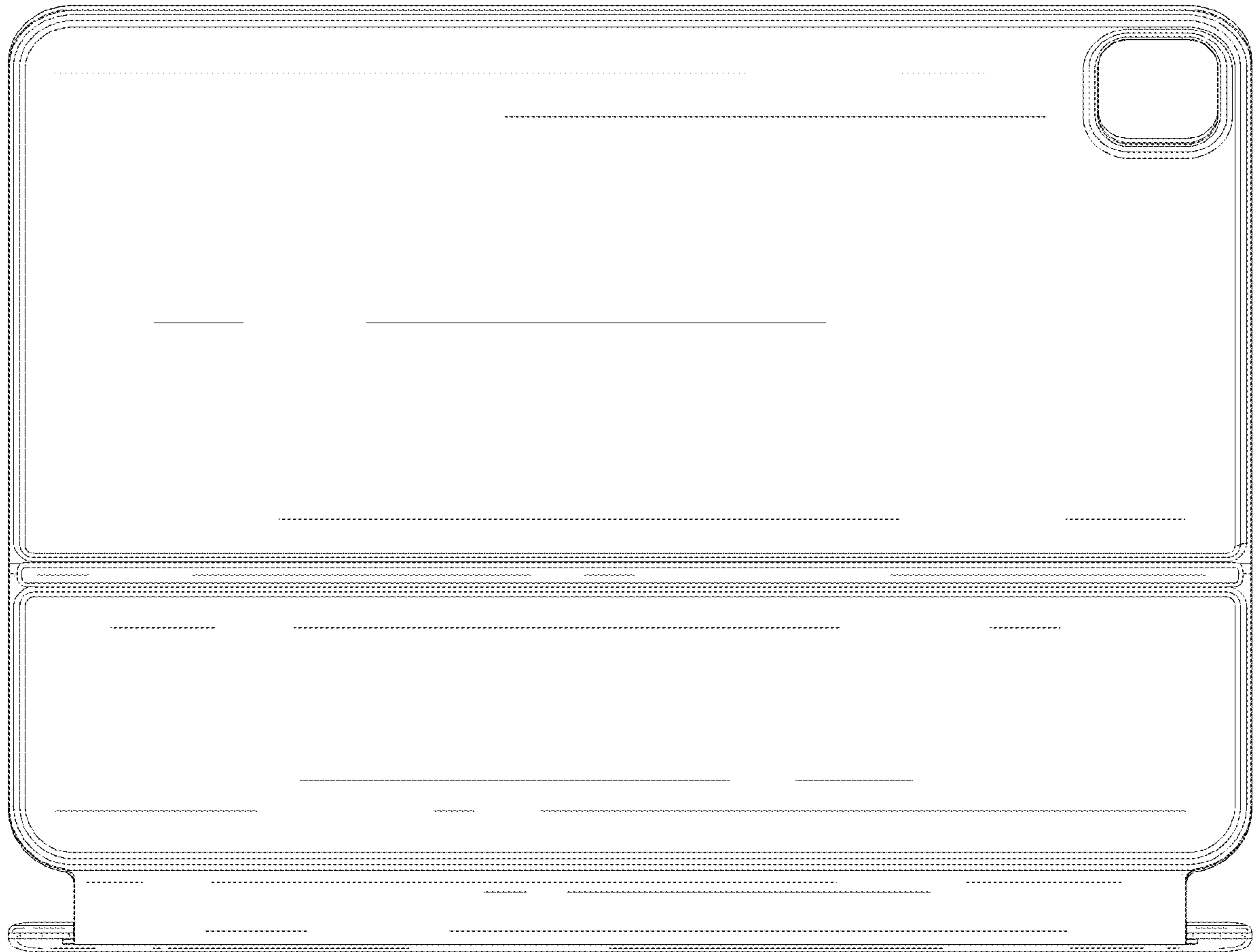


FIG. 6



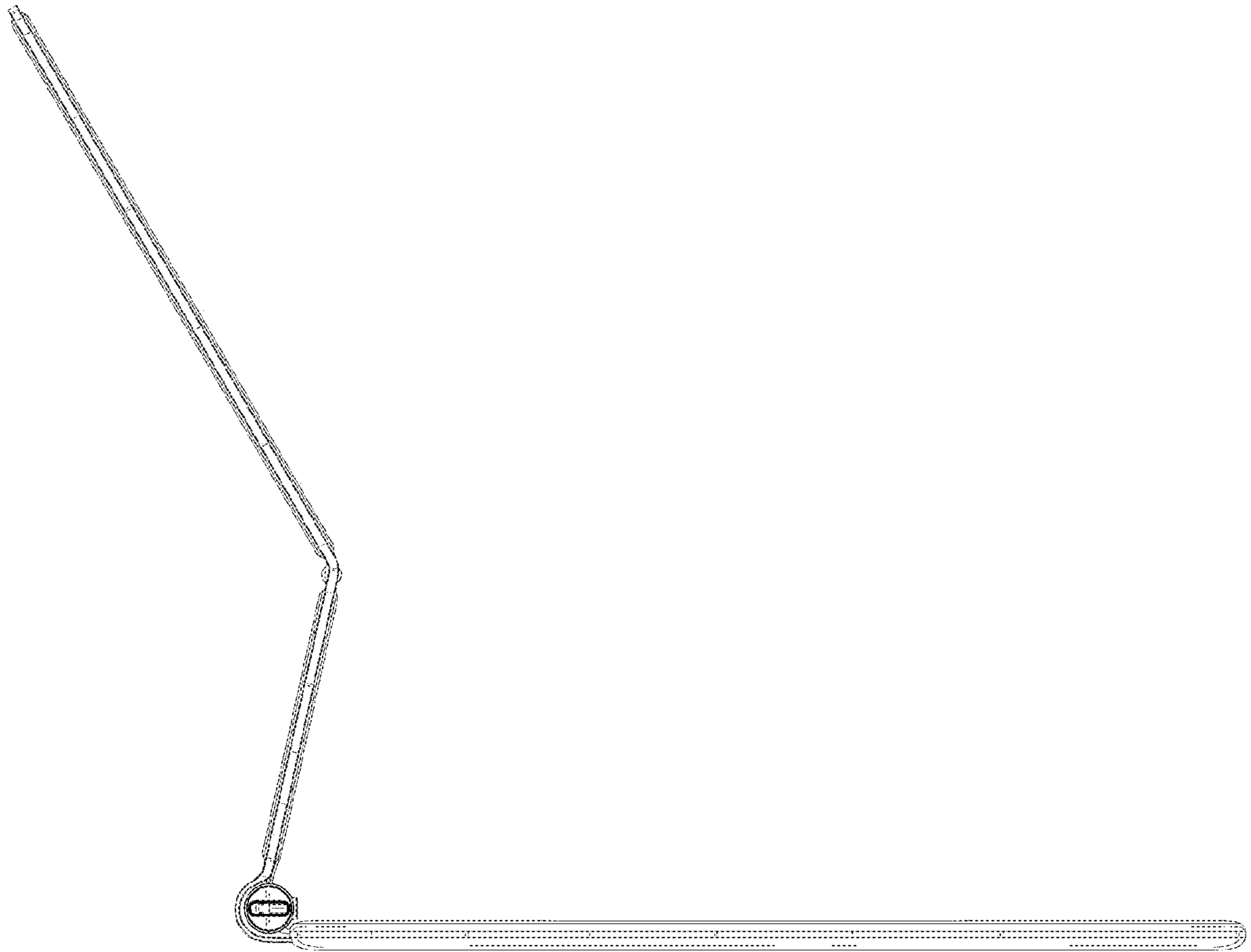


FIG. 7

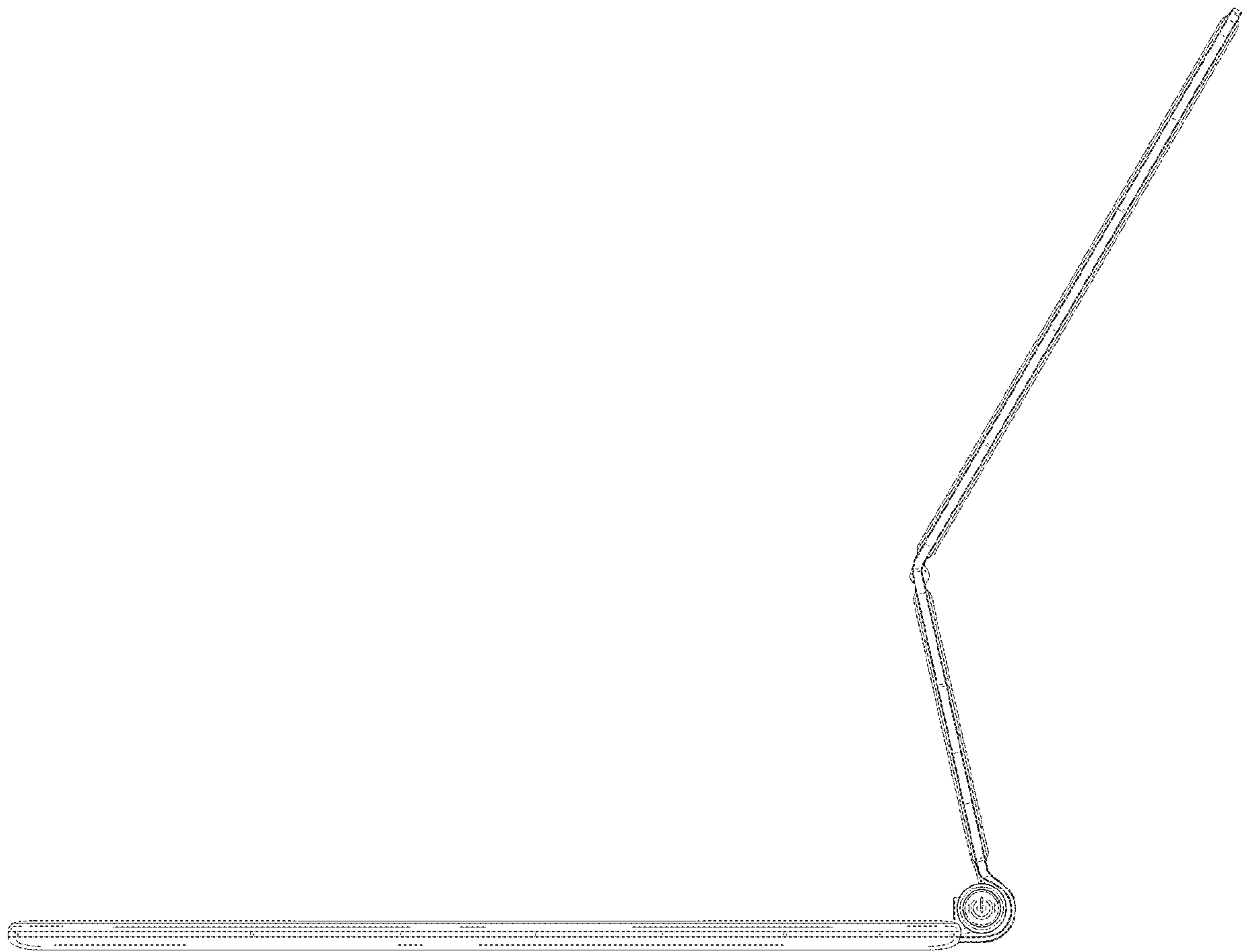


FIG. 8



FIG. 9

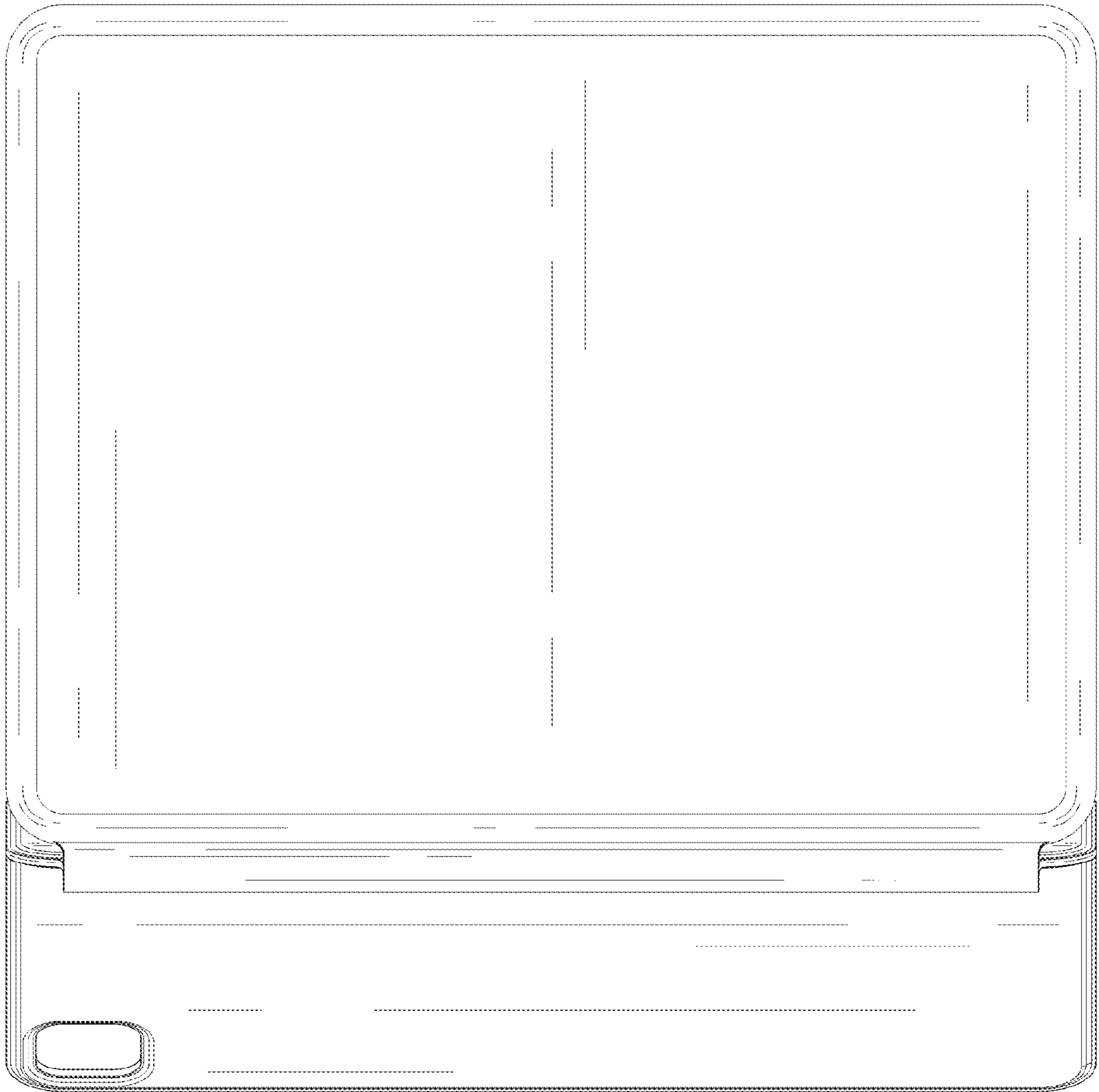


FIG. 10