



US00D977485S

(12) **United States Design Patent** (10) **Patent No.:** **US D977,485 S**
Wall et al. (45) **Date of Patent:** **** Feb. 7, 2023**

(54) **ELECTRONIC DEVICE COVER**
(71) Applicant: **Amazon Technologies, Inc.**, Seattle, WA (US)
(72) Inventors: **Tim Wall**, Mill Valley, CA (US); **Andres David Huertas**, Santa Clara, CA (US)
(73) Assignee: **Amazon Technologies, Inc.**, Seattle, WA (US)
(**) Term: **15 Years**

D649,144 S 11/2011 Fathollahi
D675,210 S 1/2013 Kim
D708,621 S 7/2014 Gifford et al.
D721,686 S * 1/2015 Jacob D14/250
D776,122 S 1/2017 Akana et al.
D789,937 S * 6/2017 Zhang D14/440
D795,880 S 8/2017 Akana et al.
D804,486 S 12/2017 Nyholm et al.
D806,713 S 1/2018 Wright et al.
D811,410 S * 2/2018 Burmester D14/440
D813,573 S * 3/2018 Hannoosh D6/671
D816,492 S * 5/2018 Reinhart D9/435
D819,644 S 6/2018 Wright et al.

(Continued)

(21) Appl. No.: **29/826,445**
(22) Filed: **Feb. 11, 2022**

Related U.S. Application Data

(62) Division of application No. 29/724,662, filed on Feb. 18, 2020, now Pat. No. Des. 946,577.
(51) **LOC (14) Cl.** **14-02**
(52) **U.S. Cl.**
USPC **D14/440**
(58) **Field of Classification Search**
USPC D14/440, 447, 250, 316; 361/679.55; 206/45.23, 320, 45.2; 294/25; 455/575.8; D3/289, 301, 283, 265, 243, D3/249, 294, 284, 274, 303, 266, 203.1, D3/315, 276
CPC ... G06F 1/1628; G06F 1/1626; A47B 23/044; A45C 11/00; A45C 13/02; H04B 1/3888
See application file for complete search history.

(56) **References Cited**

U.S. PATENT DOCUMENTS

4,270,232 A * 6/1981 Ballew B65D 88/36
126/566
D378,332 S * 3/1997 Simoni D6/575
D414,976 S * 10/1999 Su D6/596

OTHER PUBLICATIONS

The Chinese Office Action dated Dec. 2, 2020 for Chinese Patent Application No. 202030468937.8, a counterpart of U.S. Appl. No. 29/724,662, 1 pages.

(Continued)

Primary Examiner — Cynthia R Underwood
(74) *Attorney, Agent, or Firm* — Lee & Hayes, P.C.

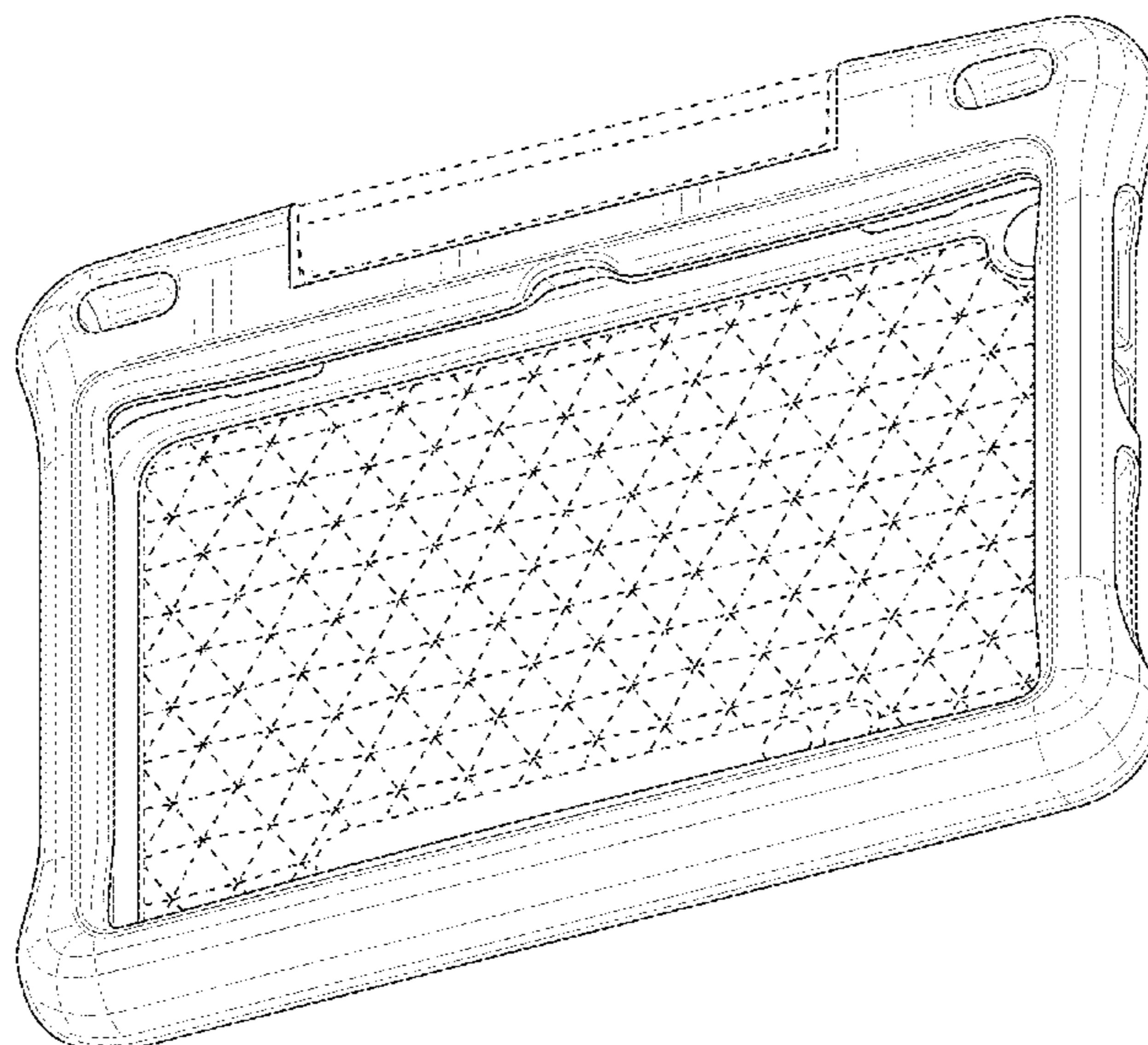
(57) **CLAIM**

The ornamental design for an electronic device cover, as shown and described.

DESCRIPTION

FIG. 1 is a front, left-side perspective view of an electronic device cover;
FIG. 2 is a front, right-side perspective view thereof;
FIG. 3 is a front view thereof;
FIG. 4 is a back view thereof;
FIG. 5 is a top view thereof;
FIG. 6 is a bottom view thereof;
FIG. 7 is a left-side view thereof; and,
FIG. 8 is a right-side view thereof.
The broken lines depict portions of the electronic device cover that form no part of the claimed design.

1 Claim, 8 Drawing Sheets



(56)

References Cited

U.S. PATENT DOCUMENTS

D834,051 S * 11/2018 Baldi D14/486
 D834,094 S * 11/2018 Pouliot D21/334
 D834,582 S 11/2018 Zhuang
 D841,655 S 2/2019 Xie
 D850,454 S * 6/2019 Kim D14/440
 D851,648 S * 6/2019 Tan D14/440
 D874,467 S 2/2020 Piper et al.
 D885,402 S 5/2020 Lei
 D888,063 S 6/2020 Chan et al.
 D892,805 S 8/2020 Piper et al.
 D896,804 S * 9/2020 Lin D14/250
 D897,349 S * 9/2020 Li D14/440
 D898,747 S * 10/2020 Deng D14/440
 D901,475 S * 11/2020 Armstrong D14/250
 D906,334 S * 12/2020 Du D14/440
 D906,341 S 12/2020 Jiao
 D920,336 S 5/2021 Cheng
 D921,638 S 6/2021 Li
 D922,392 S 6/2021 Chan et al.

D928,166 S * 8/2021 Hu D14/440
 D943,316 S * 2/2022 Hu D6/656.16
 D954,695 S * 6/2022 Deng D14/250
 D955,794 S * 6/2022 Hu D6/707.23
 D960,892 S * 8/2022 Zhang D14/440
 D964,373 S * 9/2022 Zhou D14/440
 D964,998 S * 9/2022 Troedson D14/440
 D965,599 S * 10/2022 Piper D14/440
 2012/0170212 A1 7/2012 Gallouzi et al.
 2013/0222139 A1 8/2013 Gouge et al.
 2017/0350125 A1* 12/2017 De Cauwer E04C 2/288

OTHER PUBLICATIONS

Japanese Office Action dated May 11, 2021 for Japanese Patent Application No. 2020-017031, a counterpart foreign application of U.S. Appl. No. 29/724,662, 1 page.
 Japanese Office Action dated Dec. 8, 2020 for Japanese Patent Application No. 2020-017031, a counterpart foreign application of U.S. Appl. No. 29/724,662, 2 pages.

* cited by examiner

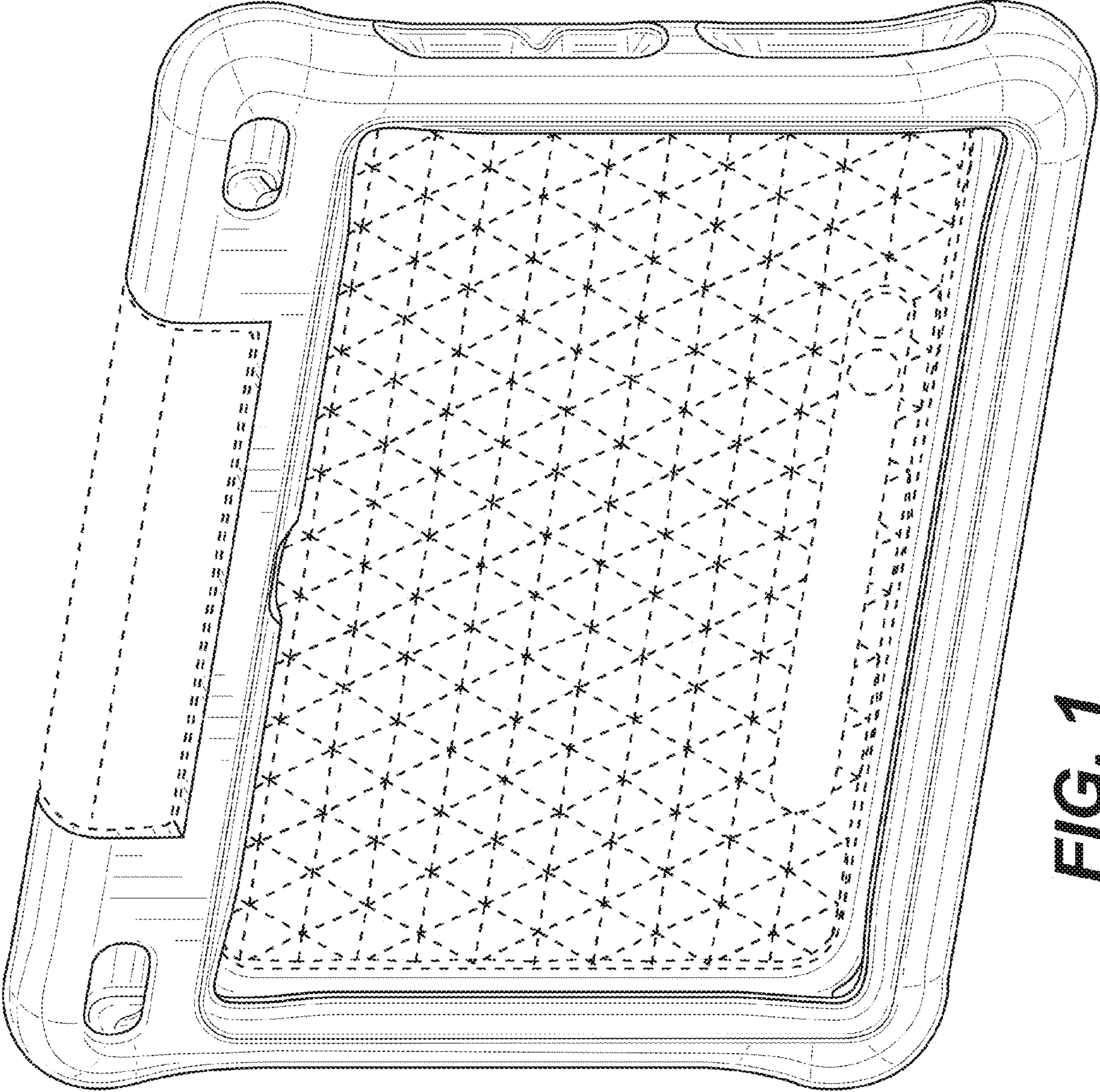


FIG. 1

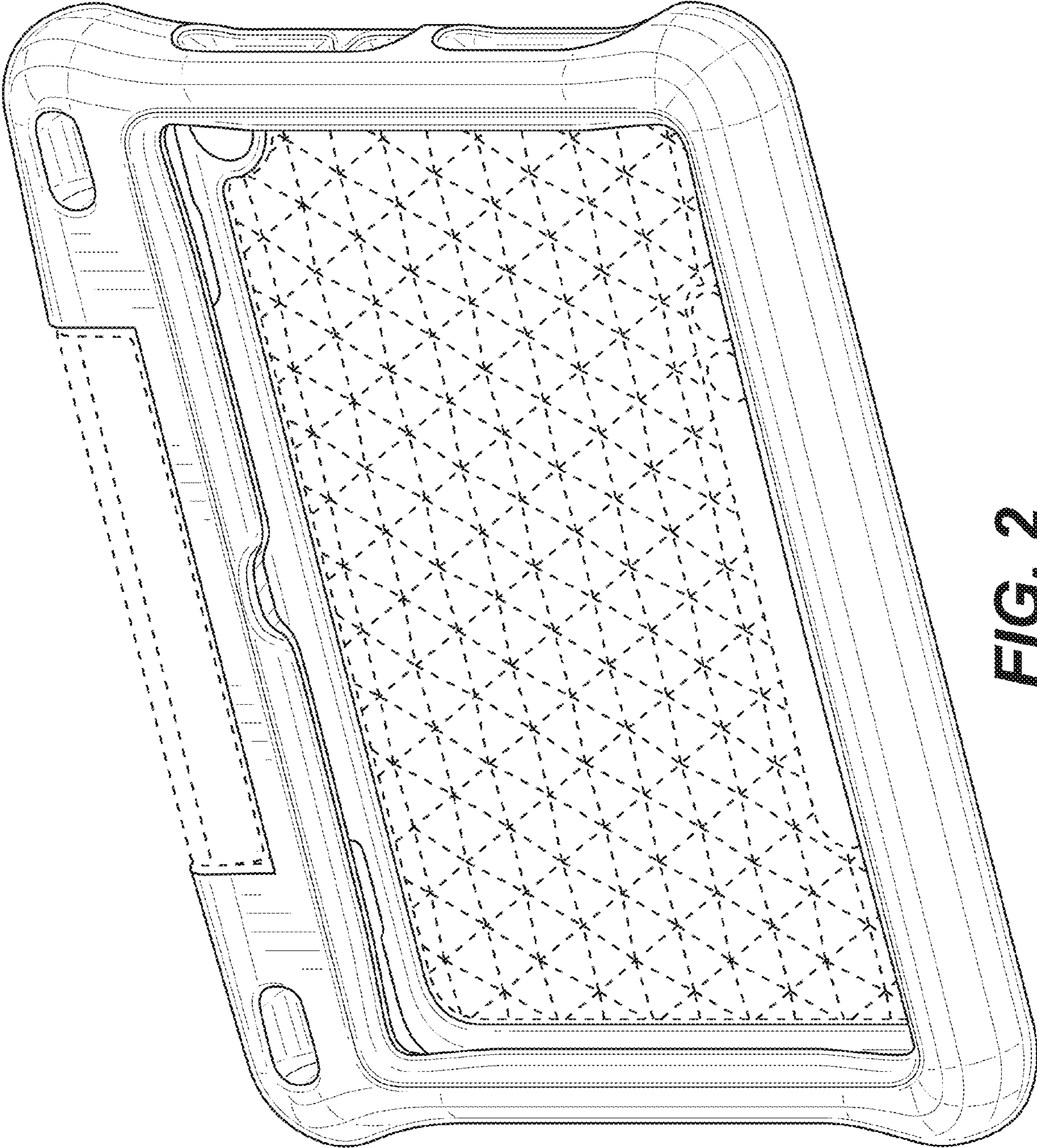


FIG. 2

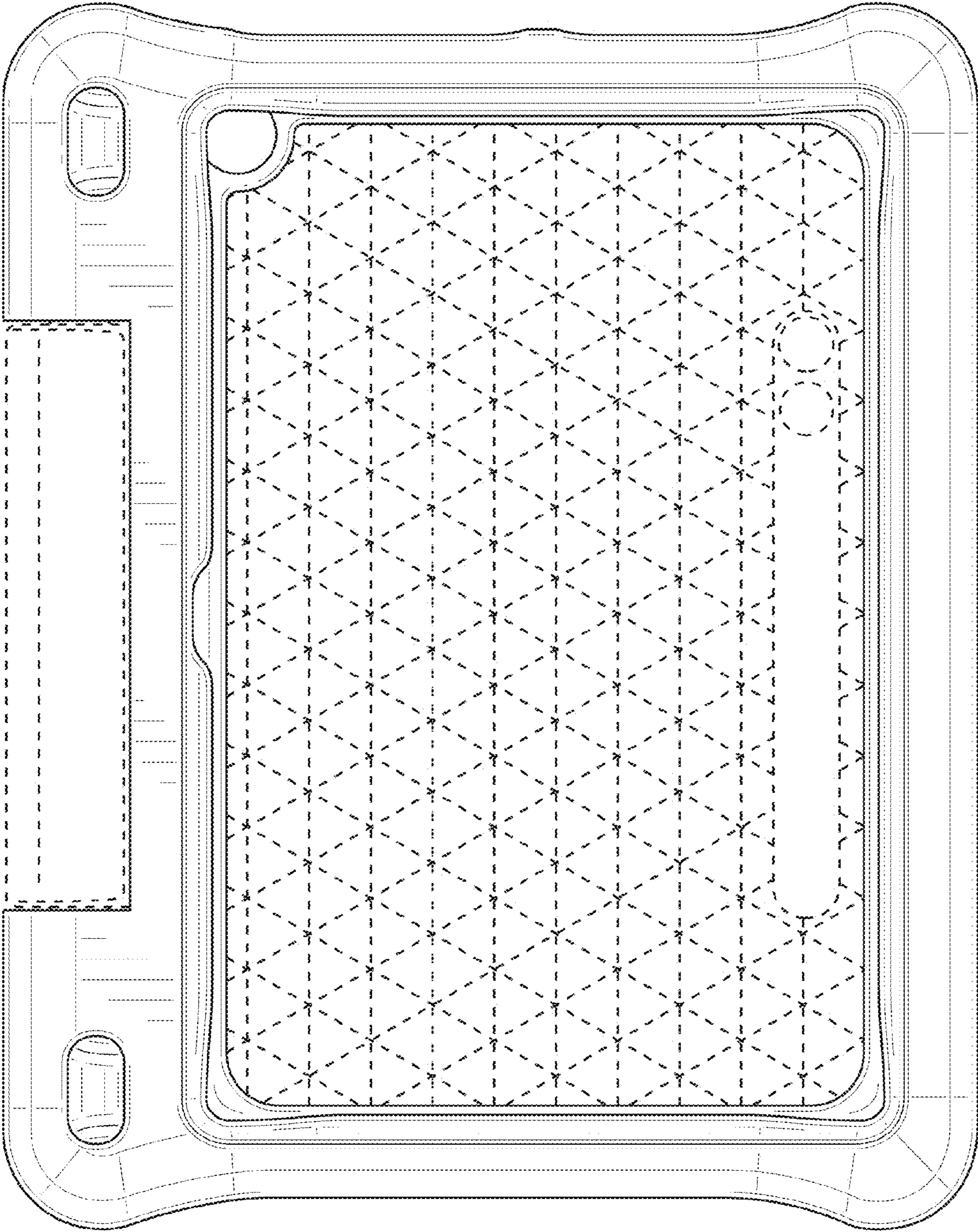


FIG. 3

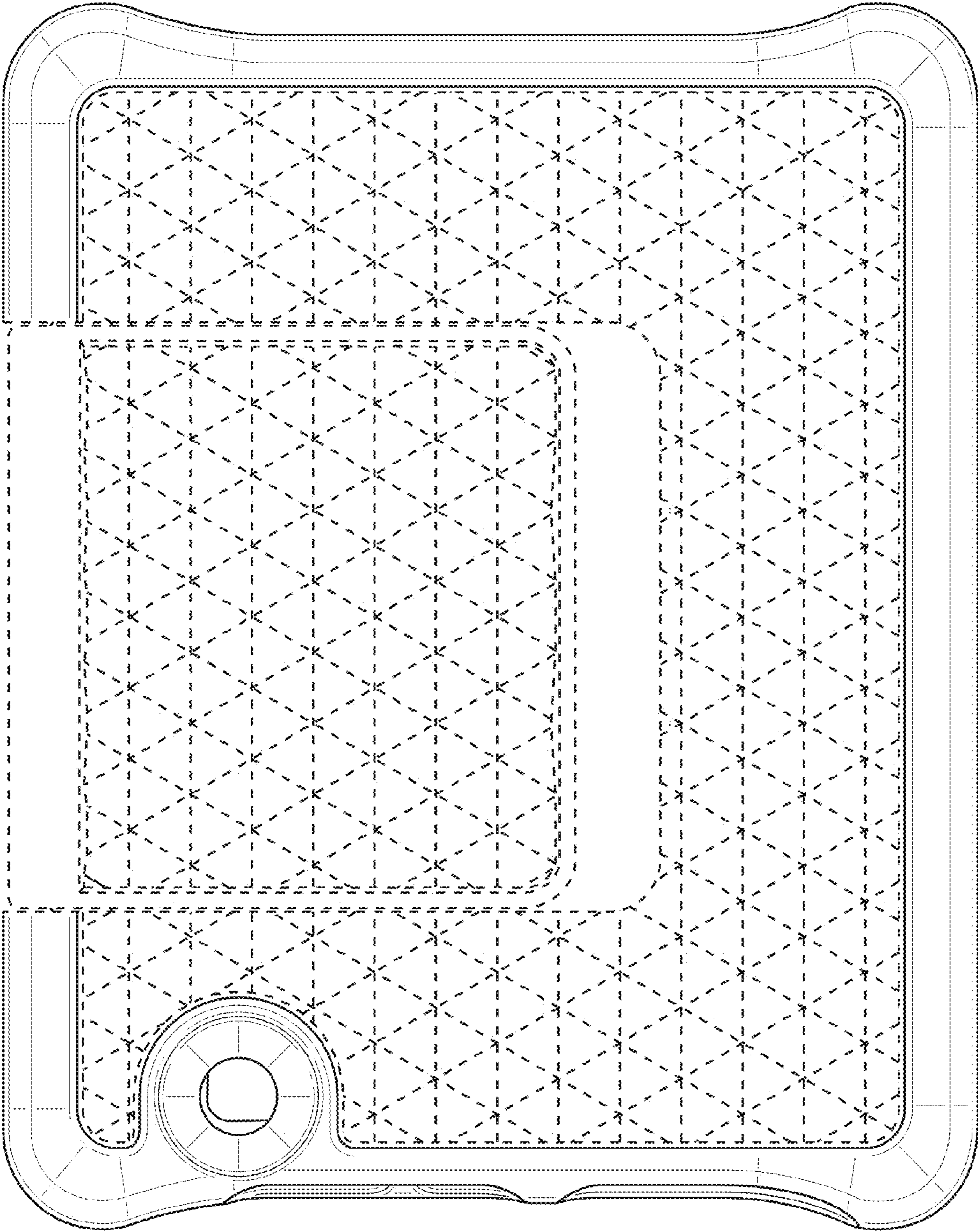


FIG. 4

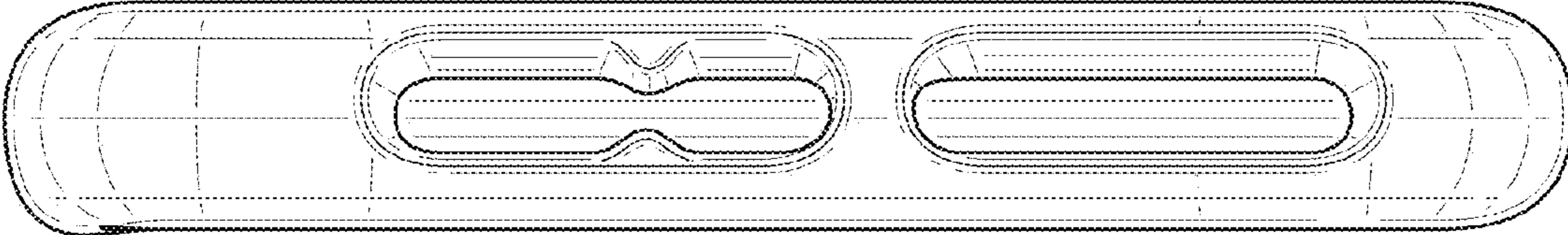


FIG. 5

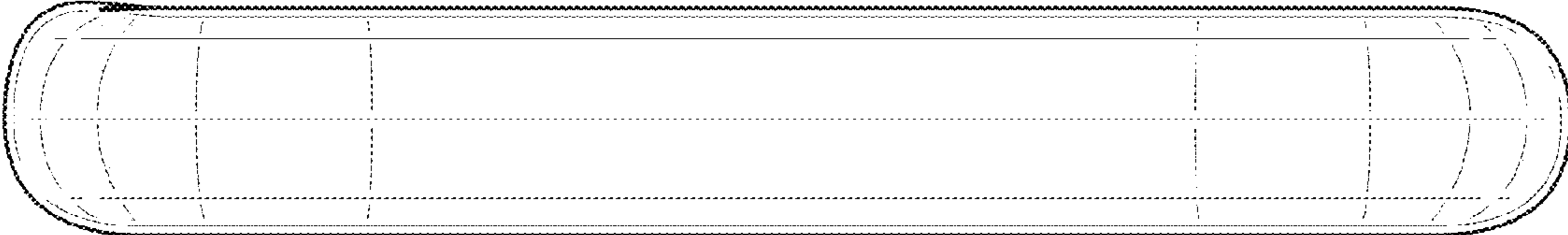


FIG. 6



FIG. 7

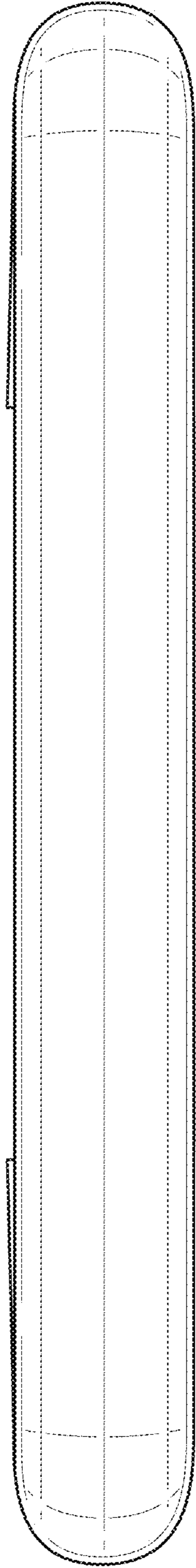


FIG. 8