

US00D977482S

(12) **United States Design Patent**
Xu

(10) **Patent No.:** **US D977,482 S**

(45) **Date of Patent:** **** Feb. 7, 2023**

(54) **TABLET CASE**

(71) Applicant: **Ying Xu**, Tacheng (CN)

(72) Inventor: **Ying Xu**, Tacheng (CN)

(**) Term: **15 Years**

(21) Appl. No.: **29/790,618**

(22) Filed: **Dec. 6, 2021**

(51) **LOC (14) Cl.** **14-02**

(52) **U.S. Cl.**
USPC **D14/440**

(58) **Field of Classification Search**
USPC D14/440, 447; D3/276
CPC . A45C 11/34; A45C 15/00; G06F 1/20; G06F
1/203
See application file for complete search history.

(56) **References Cited**

U.S. PATENT DOCUMENTS

| | | | | |
|--------------|---------|----------|-------|---------|
| D689,056 S * | 9/2013 | Li | | D14/440 |
| D690,704 S * | 10/2013 | Padilla | | D14/440 |
| D763,853 S * | 8/2016 | Pearce | | D14/440 |
| D806,080 S * | 12/2017 | Chen | | D14/440 |
| D811,412 S * | 2/2018 | McCurdy | | D14/440 |
| D821,405 S * | 6/2018 | Chen | | D14/440 |
| D854,022 S * | 7/2019 | Chen | | D14/440 |
| D858,507 S * | 9/2019 | Jang | | D14/251 |
| D862,478 S * | 10/2019 | Ahn | | D14/440 |
| D879,104 S * | 3/2020 | Li | | D14/440 |
| D879,105 S * | 3/2020 | Li | | D14/440 |
| D881,196 S * | 4/2020 | Zanxiang | | D14/440 |
| D881,197 S * | 4/2020 | Chen | | D14/440 |
| D884,709 S * | 5/2020 | Cheng | | D14/440 |
| D886,109 S * | 6/2020 | Li | | D14/440 |
| D892,804 S | 8/2020 | Lin | | |
| D897,348 S | 9/2020 | Liao | | |
| D897,349 S * | 9/2020 | Li | | D14/440 |

| | | | | |
|------------------|---------|-----------|-------|-------------|
| D898,035 S * | 10/2020 | Xu | | D14/440 |
| D906,336 S * | 12/2020 | Li | | D14/440 |
| D910,640 S | 2/2021 | Li | | |
| D949,867 S * | 4/2022 | Wu | | D14/440 |
| 2017/0045920 A1* | 2/2017 | Armstrong | | G06F 1/1669 |

FOREIGN PATENT DOCUMENTS

KR 300635178.0000 * 3/2012

OTHER PUBLICATIONS

Brenthaven tablet case, Tineye image date 2021, site visited Aug. 11, 2022, [https://www.cdw.com/product/brenthaven-edge-360-protective-case-for-tablet/5968117?gclid . . . *](https://www.cdw.com/product/brenthaven-edge-360-protective-case-for-tablet/5968117?gclid...)

* cited by examiner

Primary Examiner — John R Yeh

(74) *Attorney, Agent, or Firm* — Rumit Ranjit Kanakia

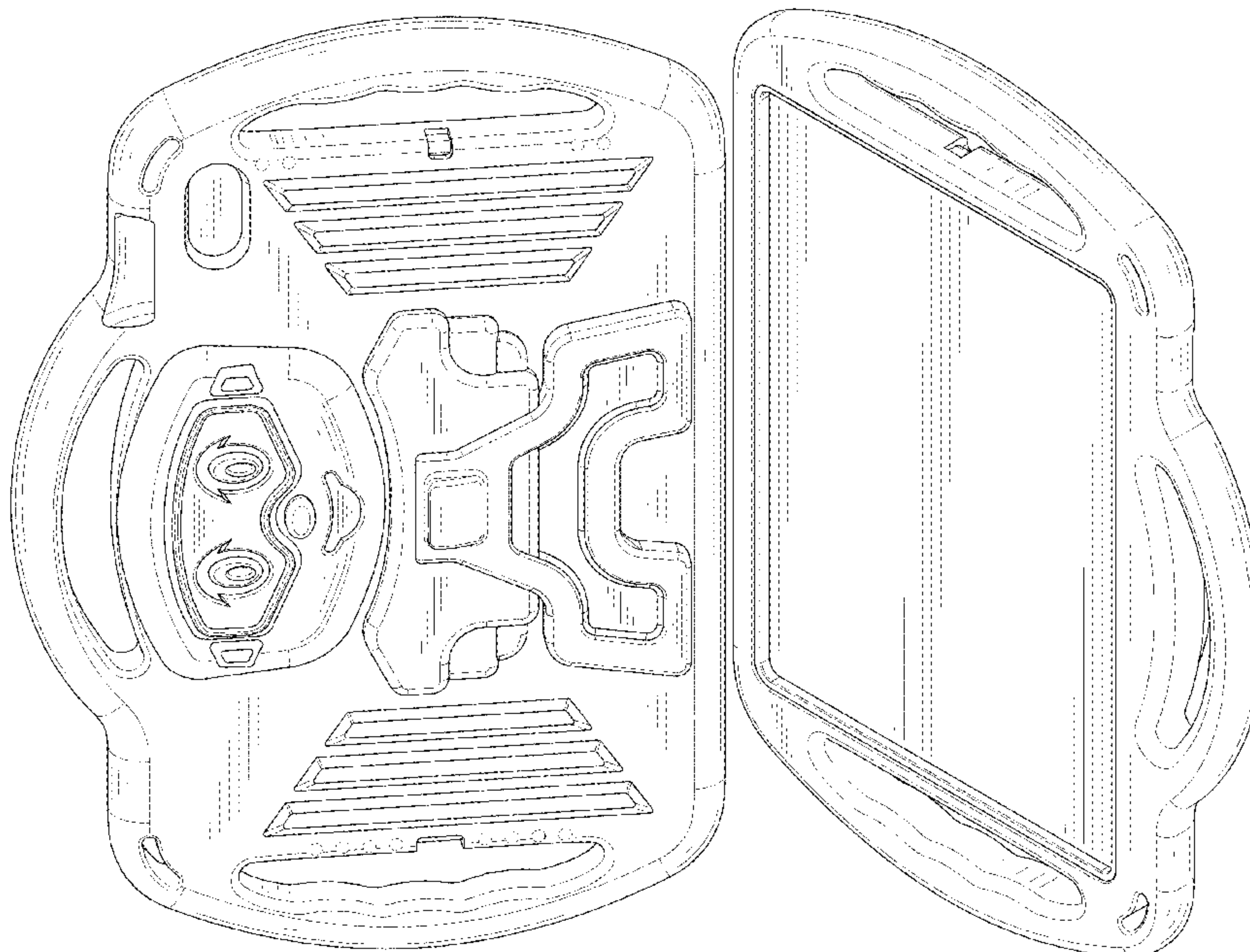
(57) **CLAIM**

The ornamental design for a tablet case, as shown and described.

DESCRIPTION

FIG. 1 is a first perspective view of a tablet case showing my new design;
FIG. 2 is a second perspective view thereof;
FIG. 3 is a front view thereof;
FIG. 4 is a back view thereof;
FIG. 5 is a left side view thereof;
FIG. 6 is a right side view thereof;
FIG. 7 is a top view thereof; and,
FIG. 8 is a bottom view thereof.
The broken lines shown in the drawings depict portions of the tablet case in which the design is embodied that form no part of the claimed design.

1 Claim, 8 Drawing Sheets



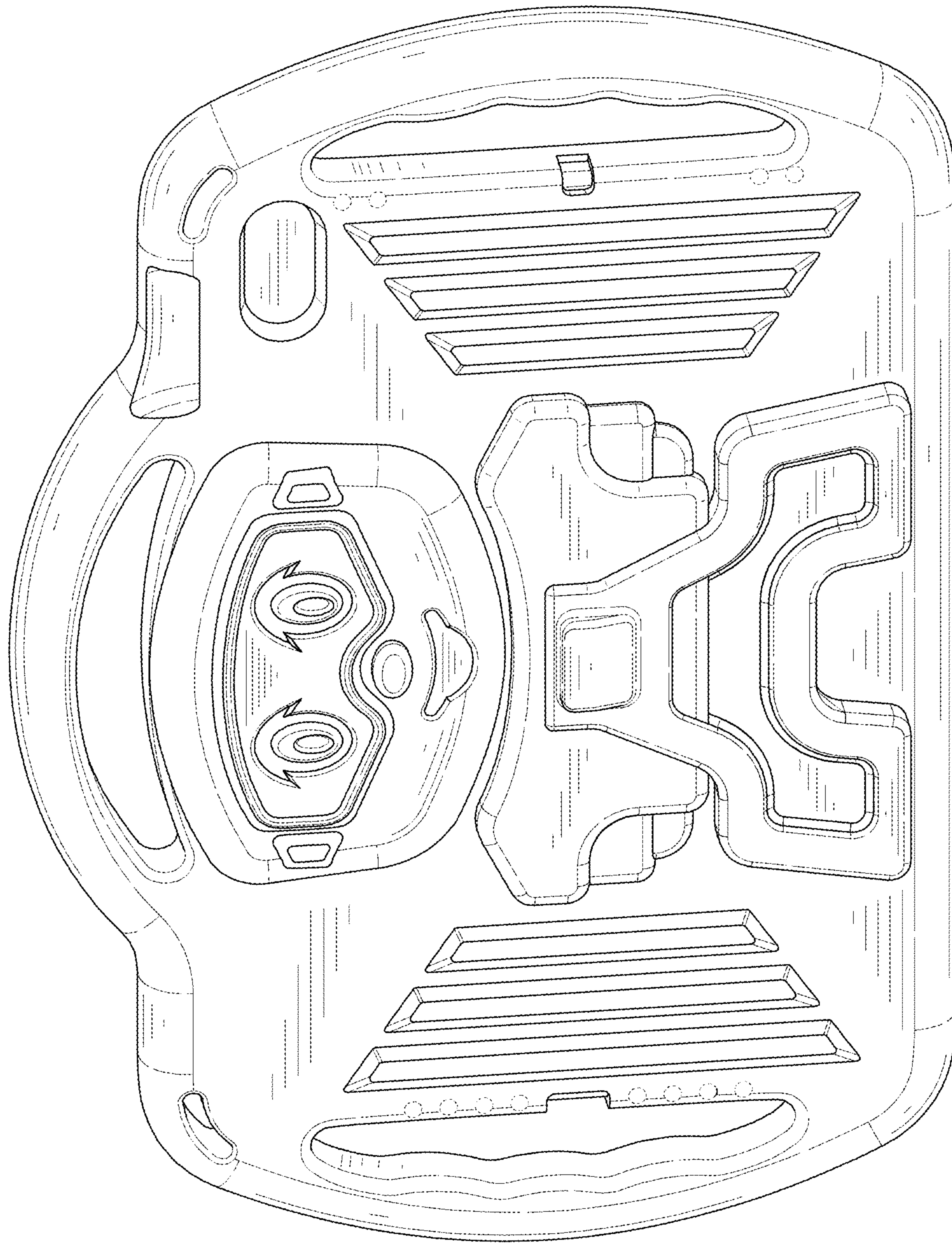


FIG. 1

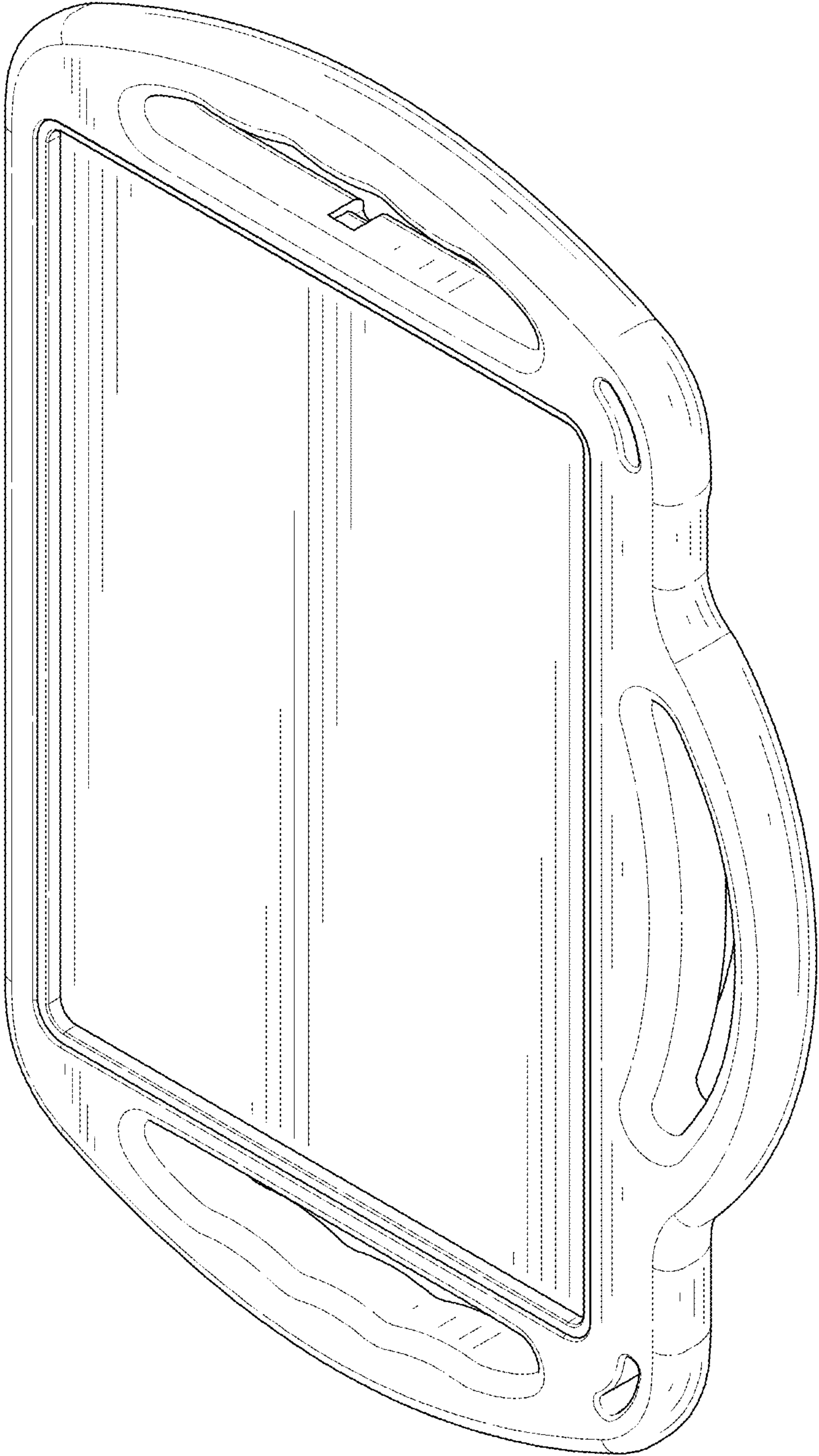


FIG. 2

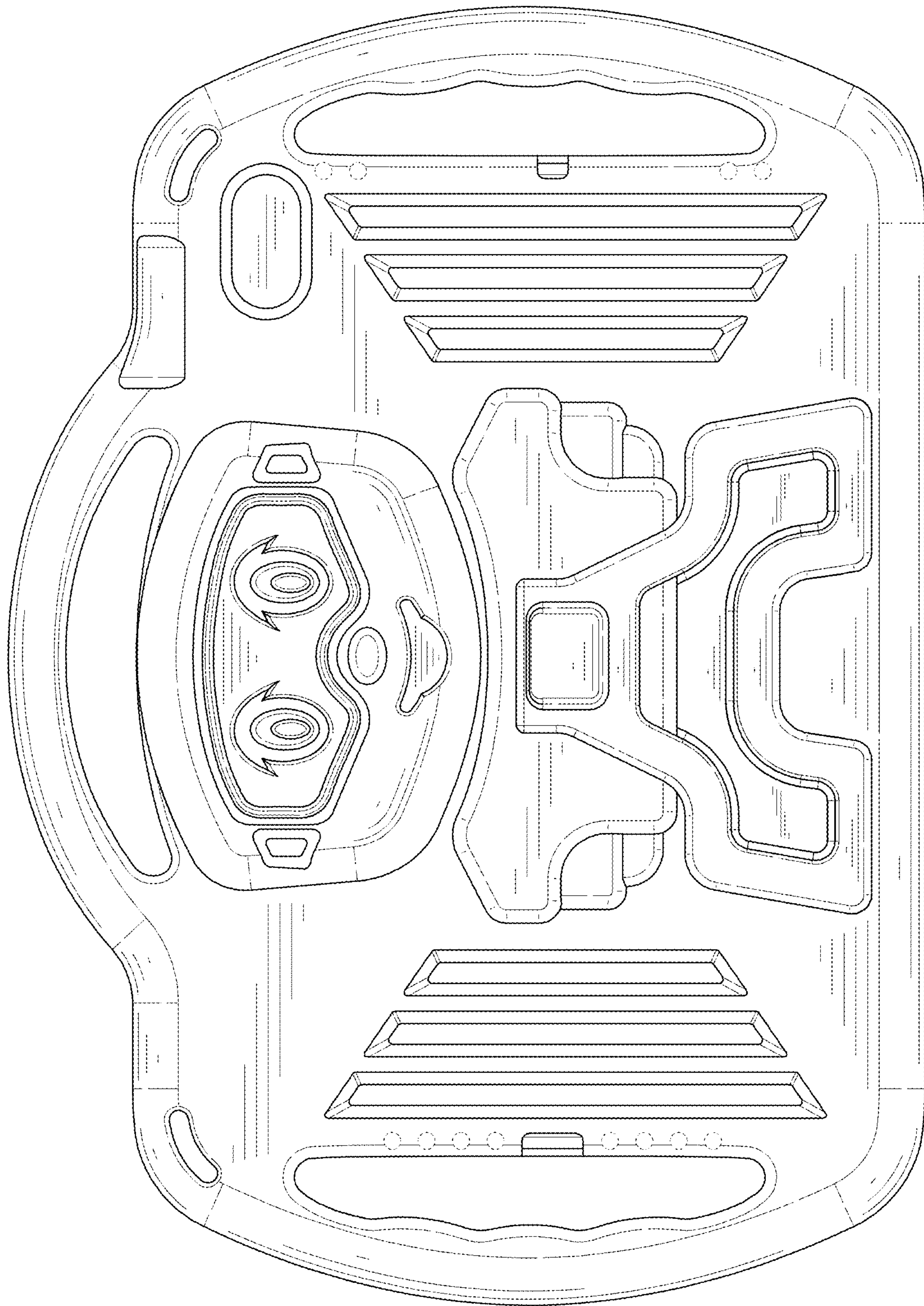


FIG. 3

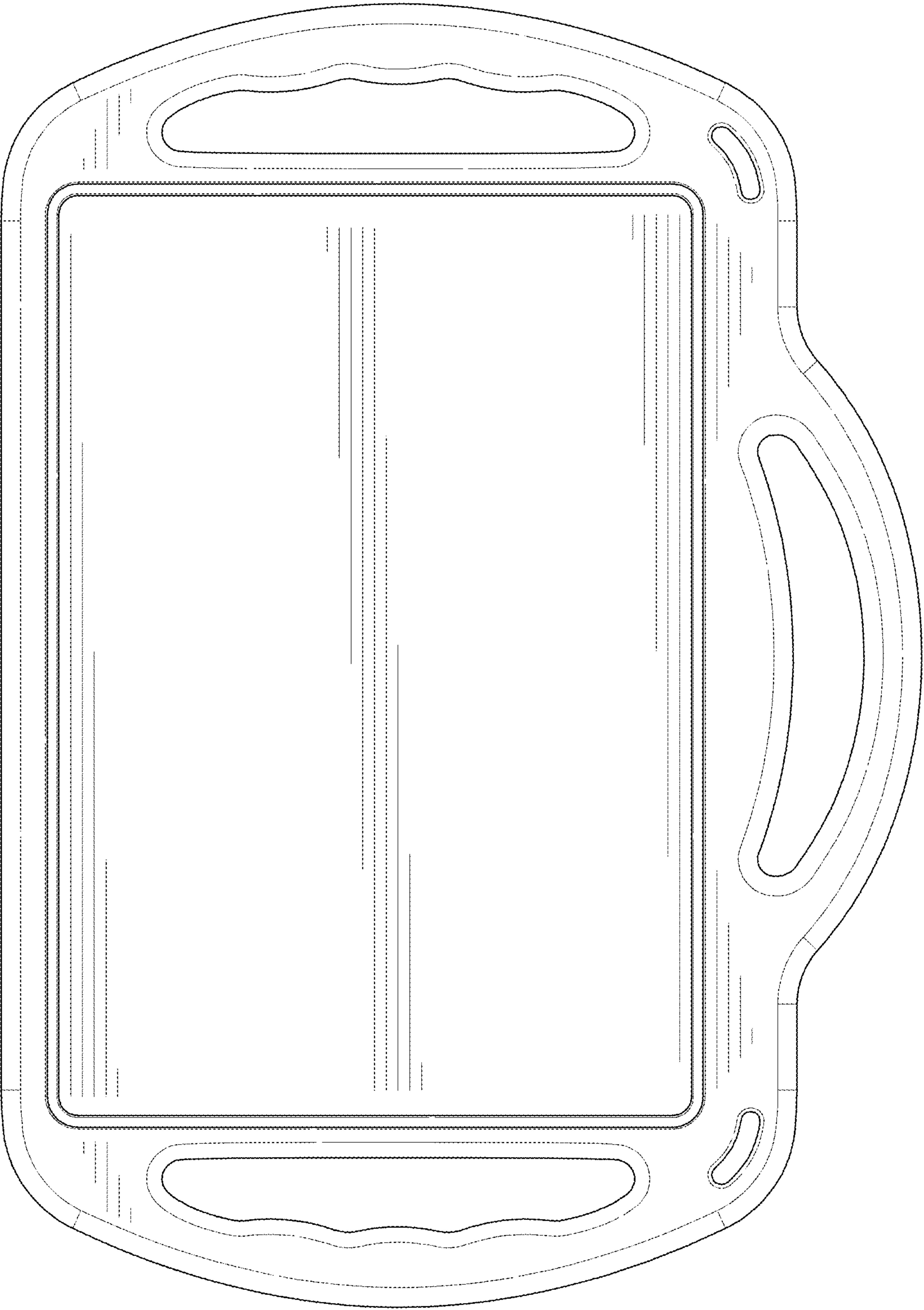


FIG. 4

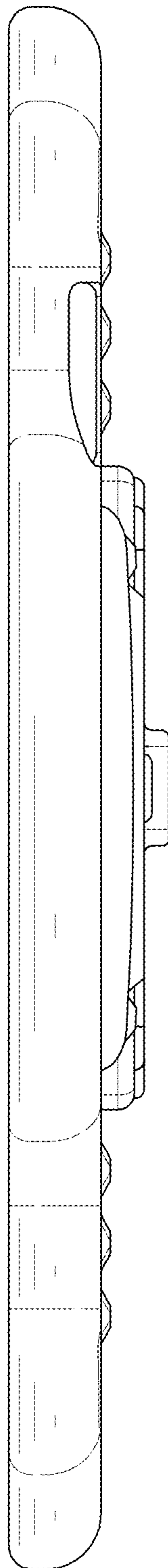


FIG. 5

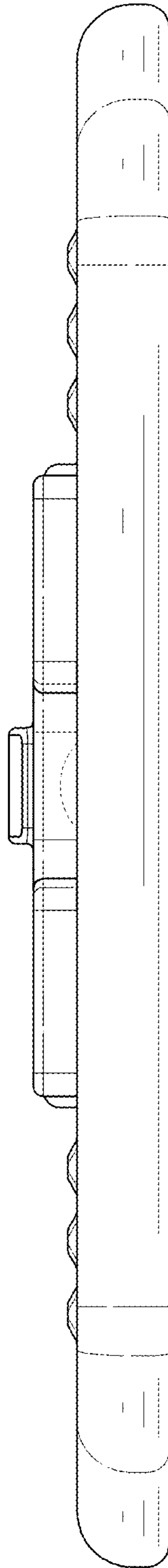


FIG. 6

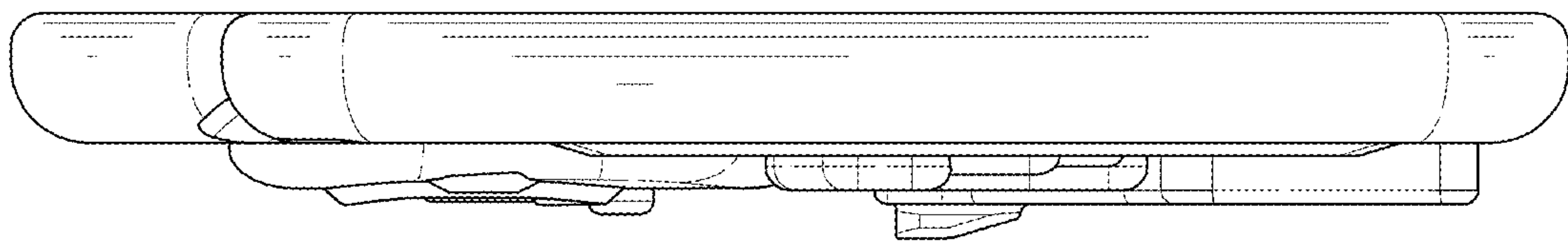


FIG. 7

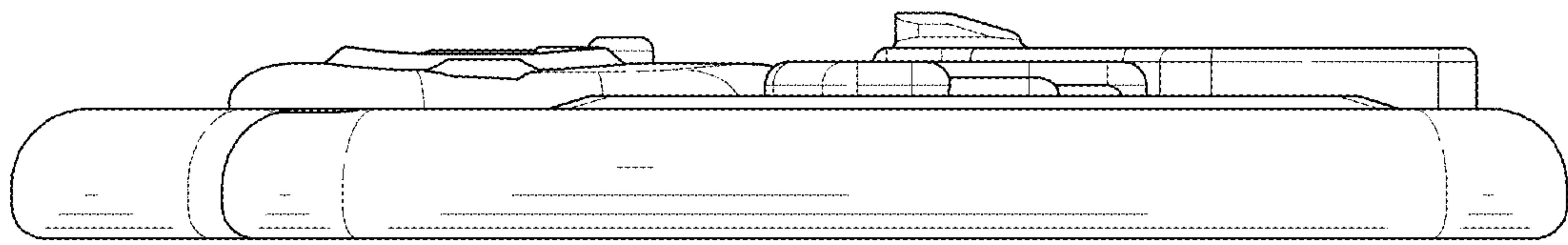


FIG. 8