



US00D977481S

(12) **United States Design Patent** (10) **Patent No.:** **US D977,481 S**  
**Troedson et al.** (45) **Date of Patent:** **\*\* Feb. 7, 2023**

- (54) **STATION FOR PORTABLE ELECTRONIC COMPUTING DEVICES**
- (71) Applicant: **Pioneer Square Brands, Inc.**, Seattle, WA (US)
- (72) Inventors: **Emelie Elna Victoria Troedson**, Seattle, WA (US); **Brian Lewis Piper**, Seattle, WA (US)
- (73) Assignee: **Pioneer Square Brands, Inc.**, McLean, VA (US)
- (\*\*) Term: **15 Years**
- (21) Appl. No.: **29/859,097**
- (22) Filed: **Nov. 7, 2022**
- (51) **LOC (14) Cl.** ..... **14-02**
- (52) **U.S. Cl.**  
USPC ..... **D14/434**
- (58) **Field of Classification Search**  
USPC ..... D14/433, 434, 435.1, 480.1-480.7, 436, D14/484.1, 155, 203.1-203.8, 240, 242, D14/133, 154, 356-358; D13/107, 108; D6/629  
CPC .... G06F 13/122; G06F 13/382; G06F 13/385; G06F 13/4022; G06F 13/4282; G06F 1/1632; G06F 1/1684; H01R 25/006; H05K 5/0278; G06K 19/07732  
See application file for complete search history.

- (56) **References Cited**  
U.S. PATENT DOCUMENTS  
D422,556 S 4/2000 Okura et al.  
D433,251 S \* 11/2000 Blazeovich ..... D6/629  
D462,657 S 9/2002 Kaneko  
D554,929 S \* 11/2007 Jajdelski ..... D6/407  
D562,762 S 2/2008 Saddlemire et al.  
D580,855 S 11/2008 Haspil et al.

- D580,856 S 11/2008 Haspil et al.
- D603,333 S 11/2009 Fahrendorff et al.
- D605,111 S 12/2009 Schoch
- D608,350 S 1/2010 Bo
- D640,699 S 6/2011 McParland
- D654,019 S 2/2012 Ikegame
- D668,605 S 10/2012 Park
- D669,430 S \* 10/2012 Budike ..... D13/108
- D709,445 S 7/2014 Yeh
- D710,797 S 8/2014 Awiszus et al.
- D712,350 S 9/2014 Smith et al.
- D722,957 S 2/2015 Kotaniemi et al.
- D722,958 S 2/2015 Kotaniemi et al.
- D726,690 S 4/2015 Andre et al.
- D736,703 S 8/2015 Kotaniemi et al.
- D743,966 S \* 11/2015 Izen ..... D14/434
- D749,042 S 2/2016 Gecawicz et al.
- D755,122 S 5/2016 Gecawicz et al.
- D757,013 S 5/2016 Sale et al.
- D801,920 S 11/2017 Yoon

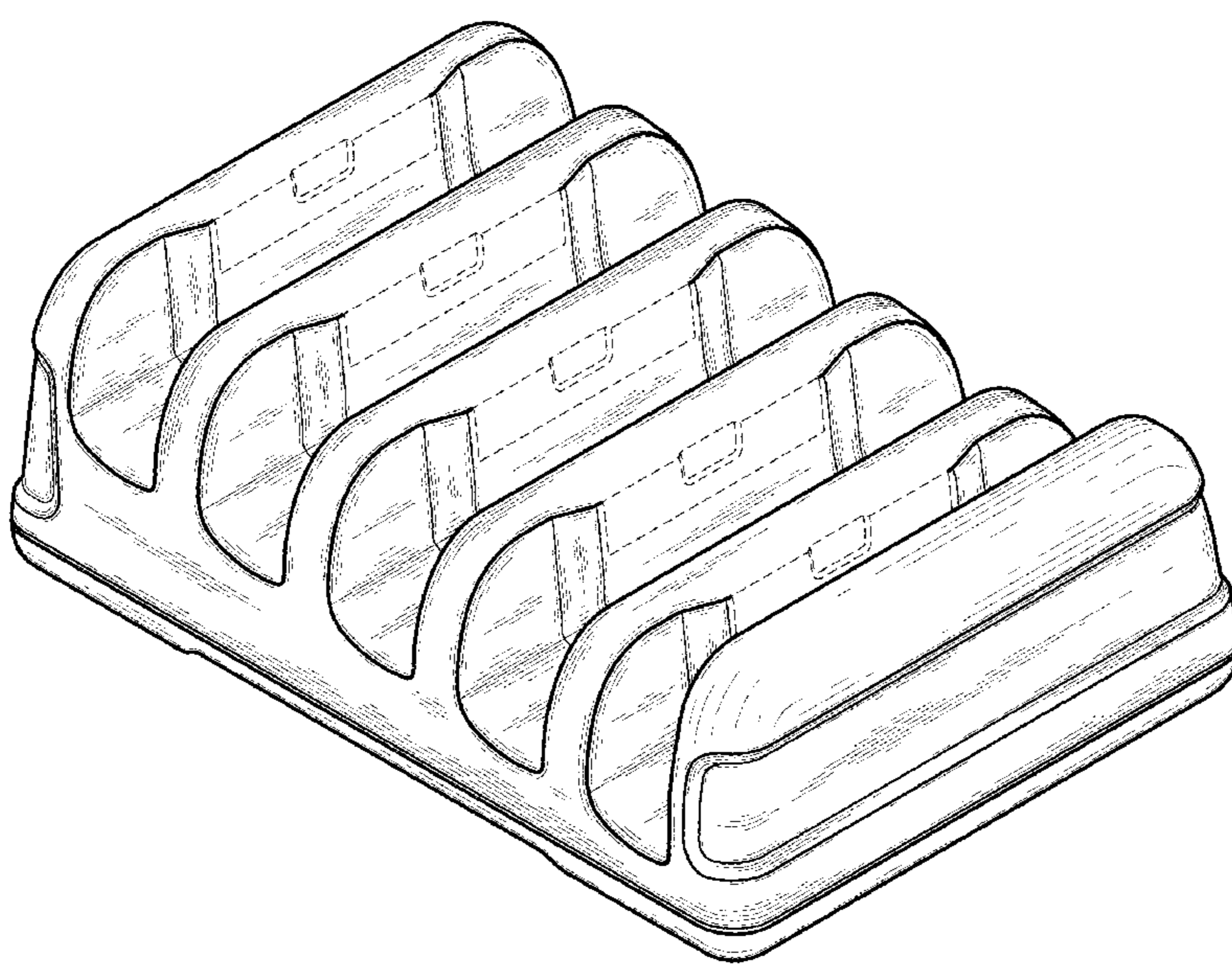
(Continued)

*Primary Examiner* — Austin Murphy  
(74) *Attorney, Agent, or Firm* — Grandview Law

(57) **CLAIM**  
The ornamental design for a station for portable electronic computing devices, as shown and described.

**DESCRIPTION**  
FIG. 1 is a top perspective view of a station for portable electronic computing devices showing my new design.  
FIG. 2 is a top plan view thereof.  
FIG. 3 is a bottom plan view thereof.  
FIG. 4 is a right elevational view thereof.  
FIG. 5 is a left elevational view thereof.  
FIG. 6 is a front elevational view thereof; and,  
FIG. 7 is a rear elevational view thereof.  
The broken lines in the figures depict features of the station for portable electronic computing devices that form no part of the claimed design.

**1 Claim, 7 Drawing Sheets**



(56)

**References Cited**

## U.S. PATENT DOCUMENTS

D808,021 S	1/2018	Coonahan et al.	
D813,241 S *	3/2018	Wengreen .....	D14/496
D823,792 S	7/2018	Komoni et al.	
D823,796 S *	7/2018	Zhang .....	D13/108
D844,617 S *	4/2019	Hühne et al. ....	D14/434
D845,234 S *	4/2019	Gao .....	D13/108
D860,132 S	9/2019	Fu	
D866,460 S *	11/2019	Komoni .....	D13/108
D868,074 S *	11/2019	Paolizzi .....	D14/453
10,483,776 B2	11/2019	Murakami et al.	
D870,657 S *	12/2019	Liang .....	D13/108
D879,713 S	3/2020	Piper	
D887,350 S *	6/2020	Yamamoto .....	D13/108
D894,906 S *	9/2020	Li .....	D14/434
D894,907 S *	9/2020	Deng .....	D14/434
D896,170 S *	9/2020	Xiao .....	D13/108
D897,286 S *	9/2020	Zhu .....	D13/108
D897,344 S *	9/2020	Li .....	D14/434
D911,947 S *	3/2021	Qiu .....	D13/108
D947,763 S	4/2022	Huang	
D949,102 S	4/2022	Zhou	
D950,486 S	5/2022	Wang	
D953,975 S	6/2022	Huang	
D962,863 S	9/2022	Tang	
D964,273 S	9/2022	Uchida et al.	
D967,760 S	10/2022	Yu	
D970,441 S *	11/2022	Qiu .....	D13/108

\* cited by examiner



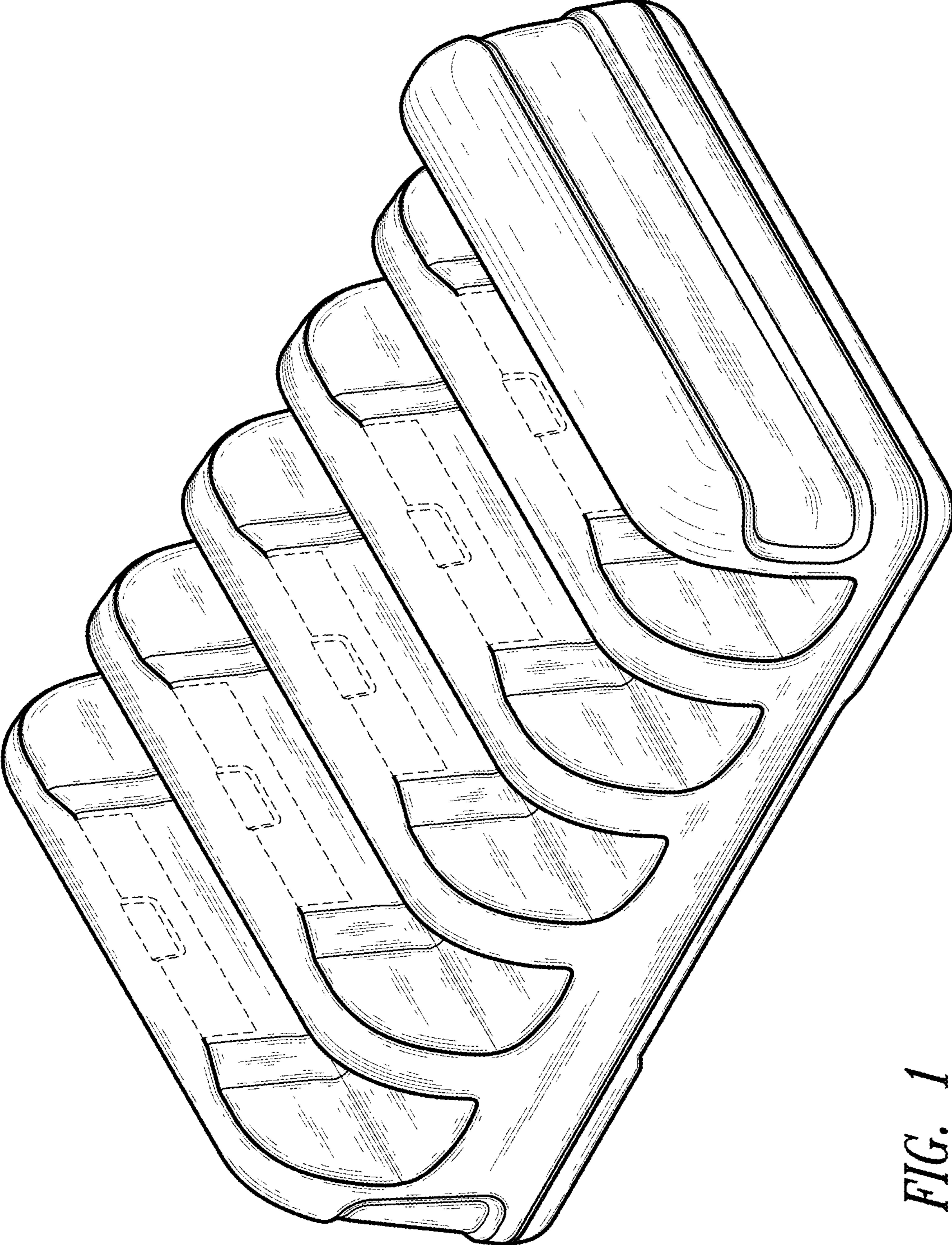
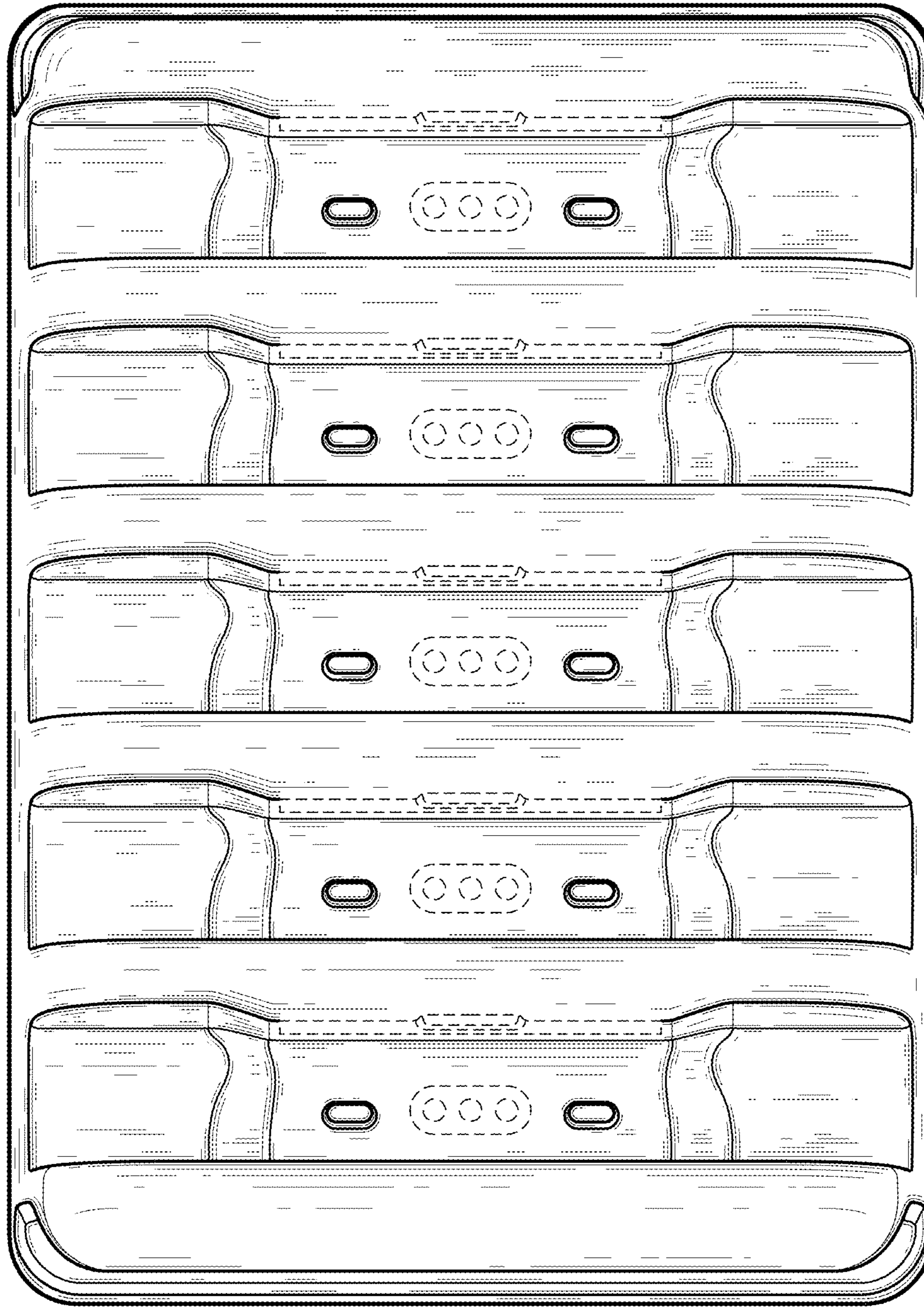
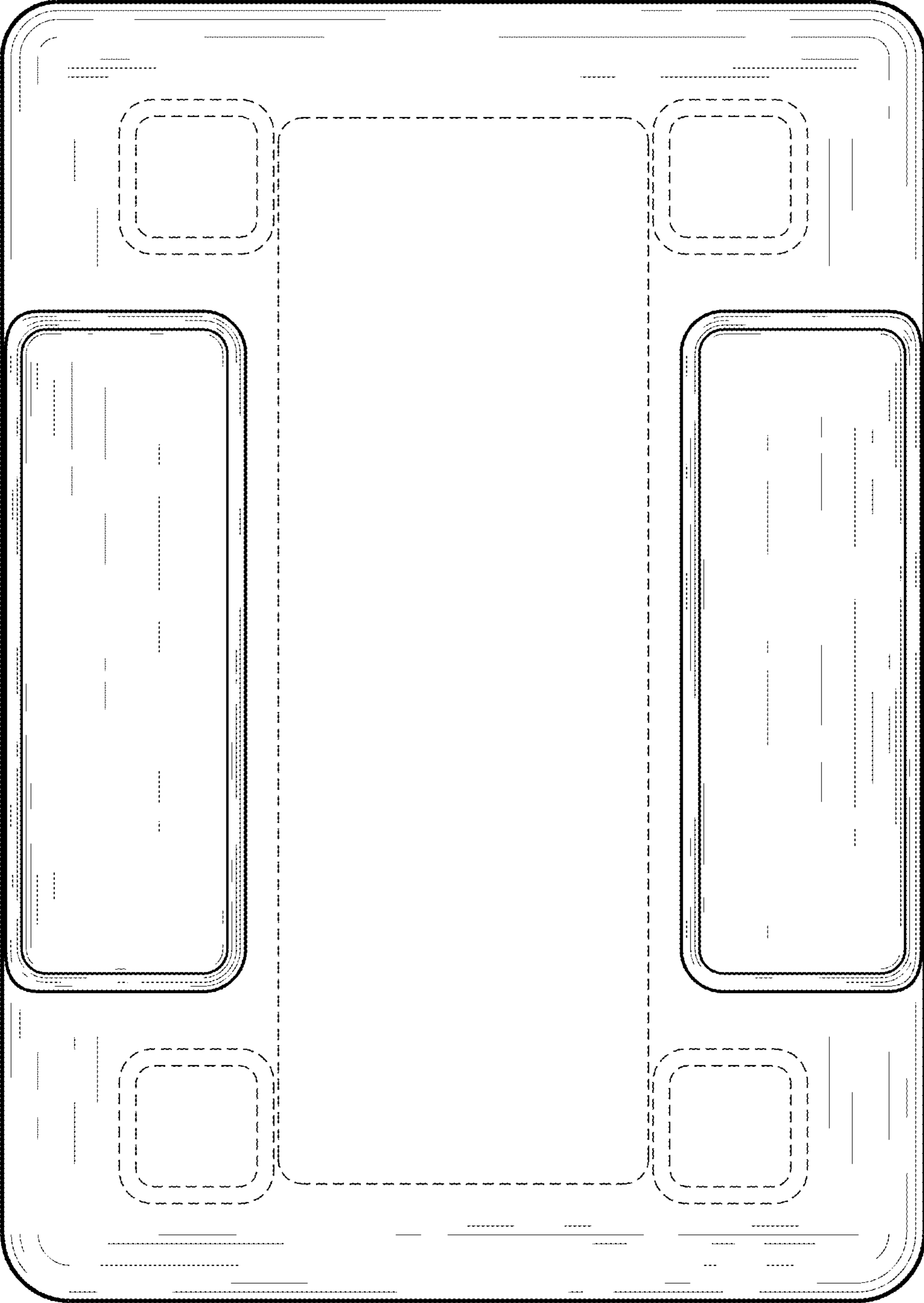


FIG. 1



*FIG. 2*



*FIG. 3*



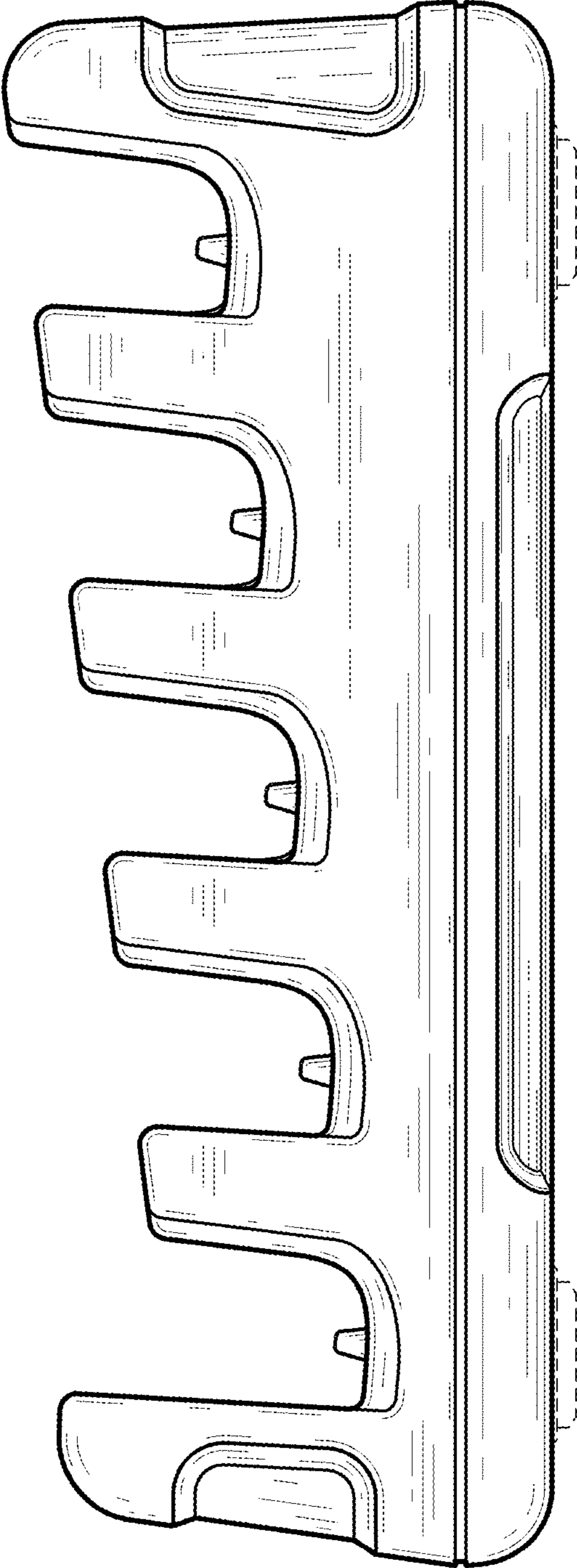
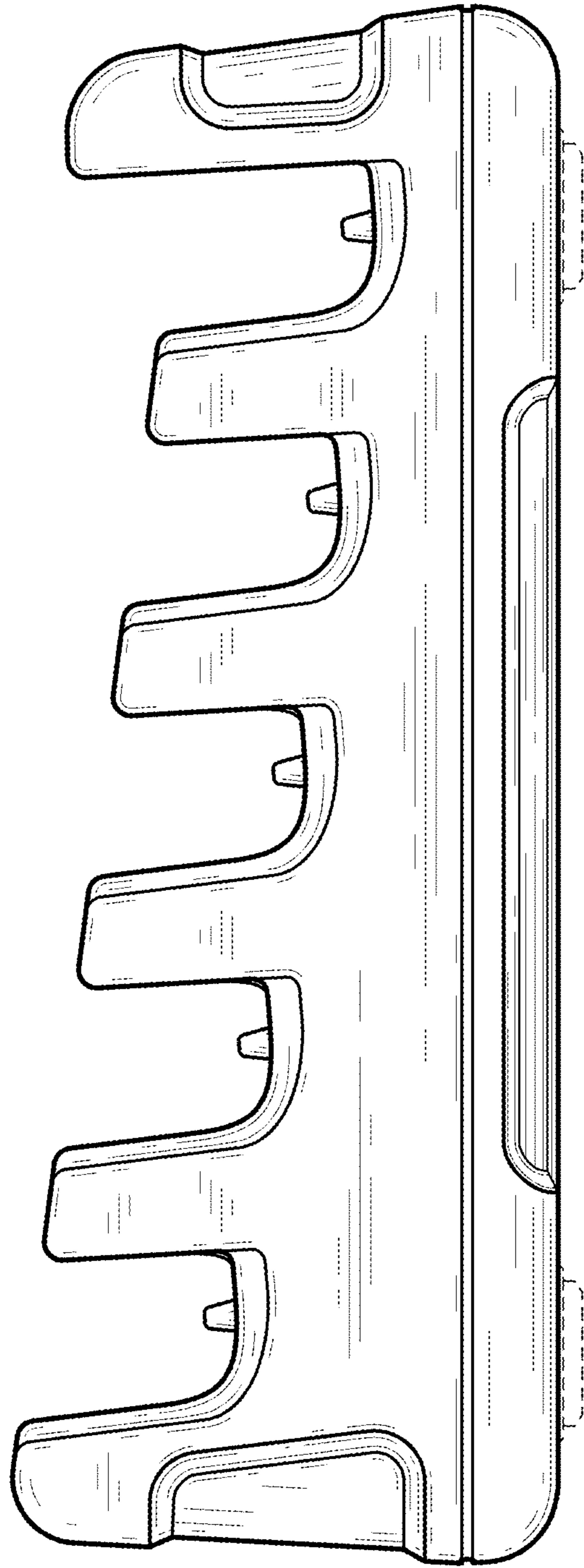


FIG. 4



*FIG. 5*



*FIG. 6*



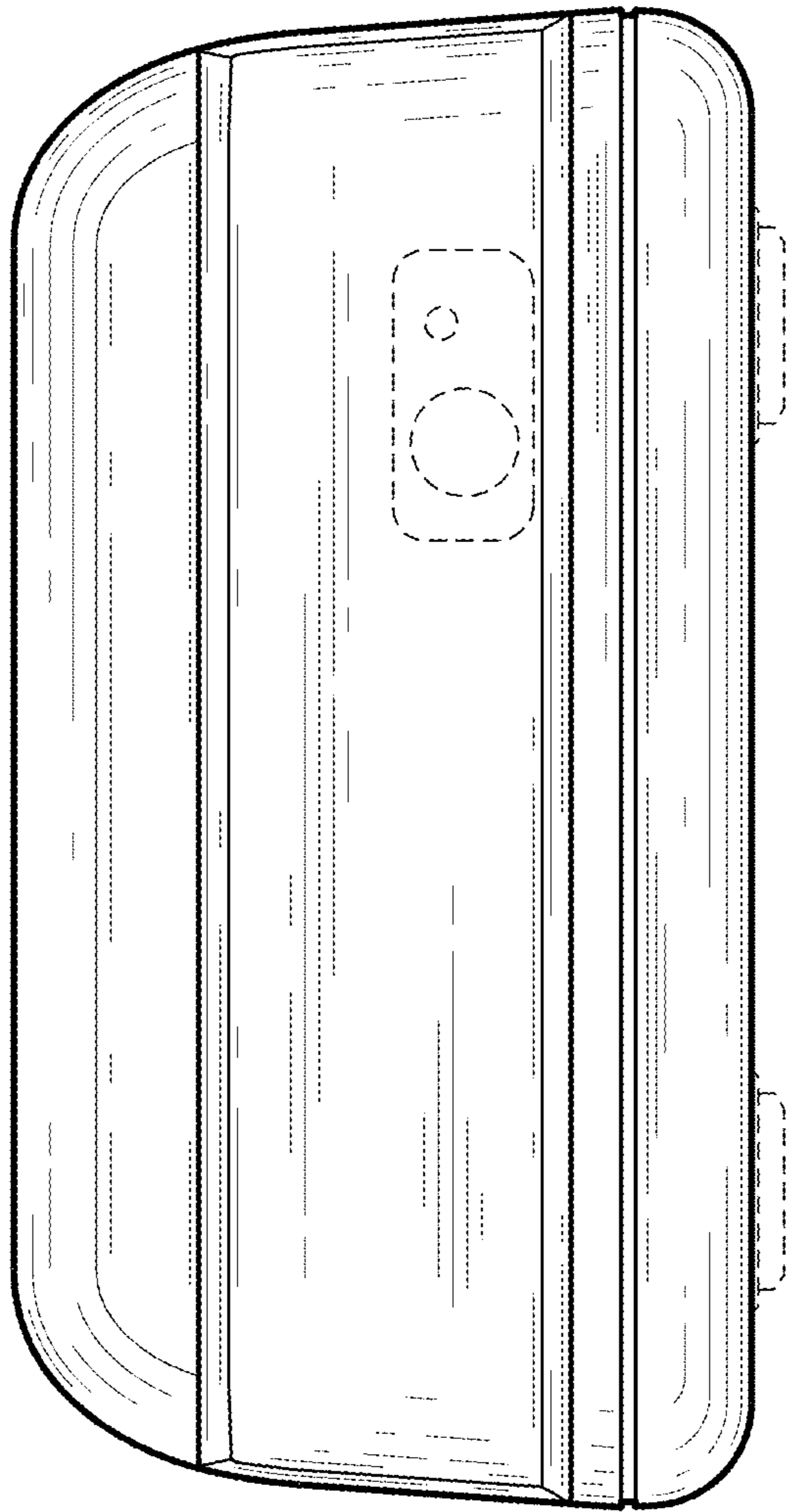


FIG. 7