



US00D977480S

(12) **United States Design Patent**
Murray et al.

(10) **Patent No.:** **US D977,480 S**

(45) **Date of Patent:** **** Feb. 7, 2023**

(54) **DEVICE FOR ILLUMINATION AND IMAGING OF A TARGET**

(71) Applicant: **Stryker European Operations Limited**, Carrigtwohill (IE)

(72) Inventors: **Gavin Michael Murray**, Vancouver (CA); **Gregory Vincent Browne**, Vancouver (CA); **James Elliott Cameron**, Victoria (CA)

(73) Assignee: **Stryker European Operations Limited**, Carrigtwohill (IE)

(**) Term: **15 Years**

(21) Appl. No.: **29/765,930**

(22) Filed: **Jan. 12, 2021**

Related U.S. Application Data

(62) Division of application No. 29/562,795, filed on Apr. 28, 2016, now Pat. No. Des. 916,294.

(51) **LOC (14) Cl.** **14-02**

(52) **U.S. Cl.**

USPC **D14/428**; D24/186

(58) **Field of Classification Search**

USPC D14/240, 341, 346, 347, 388, 420, 422, D14/426-430, 447, 451, 453, 454; D24/137, 138, 158, 180, 186, 209; D13/107, 184

CPC A47B 21/04; A47B 2097/006; A47B 2097/005; A47B 2023/049; A45C 2011/002; A45C 2011/003; F16M 2200/00; F16M 13/00; H02J 7/0044; G06K 7/10; G06K 7/10821; A45F 5/00

See application file for complete search history.

(56) **References Cited**

U.S. PATENT DOCUMENTS

1,290,744 A † 1/1919 Hollander B63G 8/38 114/34

2,453,336 A † 11/1948 Orser G02B 23/08 359/40

2,857,523 A † 10/1958 Corso G02B 27/023 378/19

3,215,029 A † 11/1965 Woodcock G02B 6/06 385/11

3,582,178 A † 6/1971 Boughton G02B 21/18 359/37

3,671,098 A † 6/1972 Rotter G03B 27/46 359/41

3,749,494 A † 7/1973 Hodges F41G 1/38 356/16

3,790,248 A † 2/1974 Kellow F41H 5/266 359/40

3,931,593 A † 1/1976 Marshall G02B 5/005 359/22

3,970,373 A † 7/1976 Pledger G02B 7/1824 359/22

3,971,068 A † 7/1976 Gerhardt G01R 13/22 382/27

4,037,866 A † 7/1977 Price A61F 9/0061 294/1

4,066,330 A † 1/1978 Jones G02B 23/16 359/50

4,115,812 A † 9/1978 Akatsu H04N 5/53 348/67

4,149,190 A † 4/1979 Wessler H04N 5/53 348/67

4,158,504 A † 6/1979 de Ponteves G02B 23/12 250/33

4,200,801 A † 4/1980 Schuresko G01N 21/6408 250/45

4,260,217 A † 4/1981 Traeger G02B 23/08 359/35

4,318,395 A † 3/1982 Tawara G02B 23/2453 359/82

4,355,325 A † 10/1982 Nakamura H04N 9/735 348/22

4,378,571 A † 3/1983 Handy H04N 5/3415 358/44

4,449,535 A † 5/1984 Renault A61B 5/0059 385/12

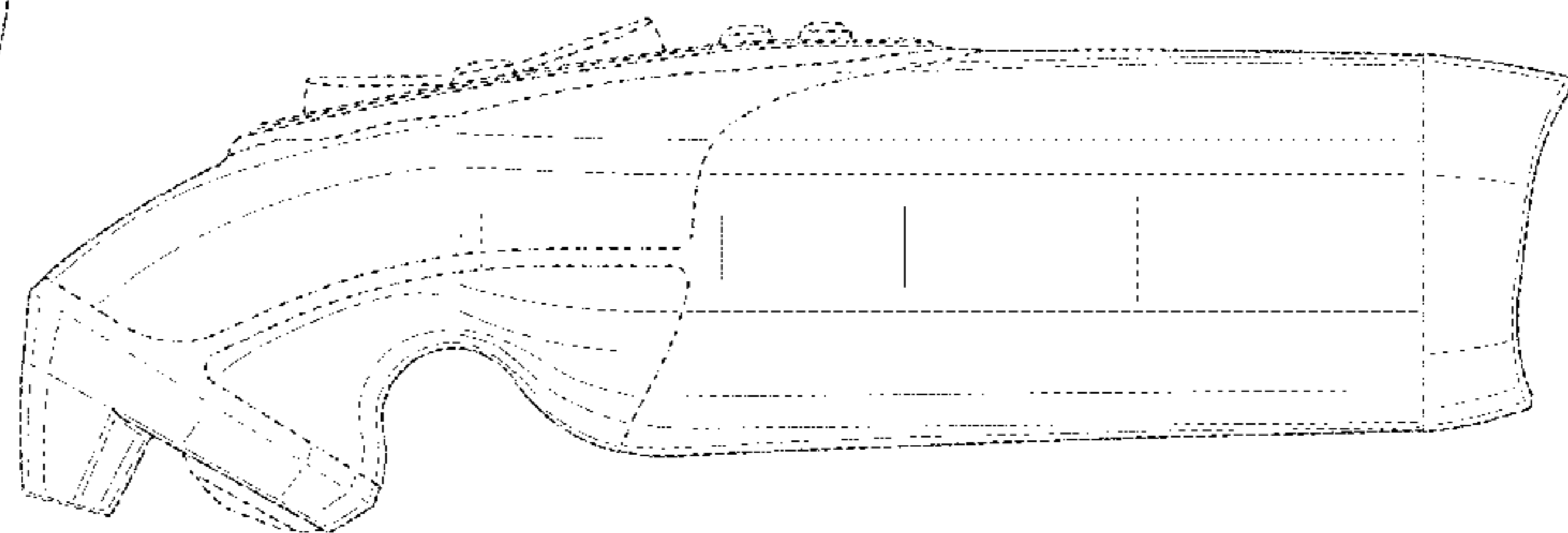
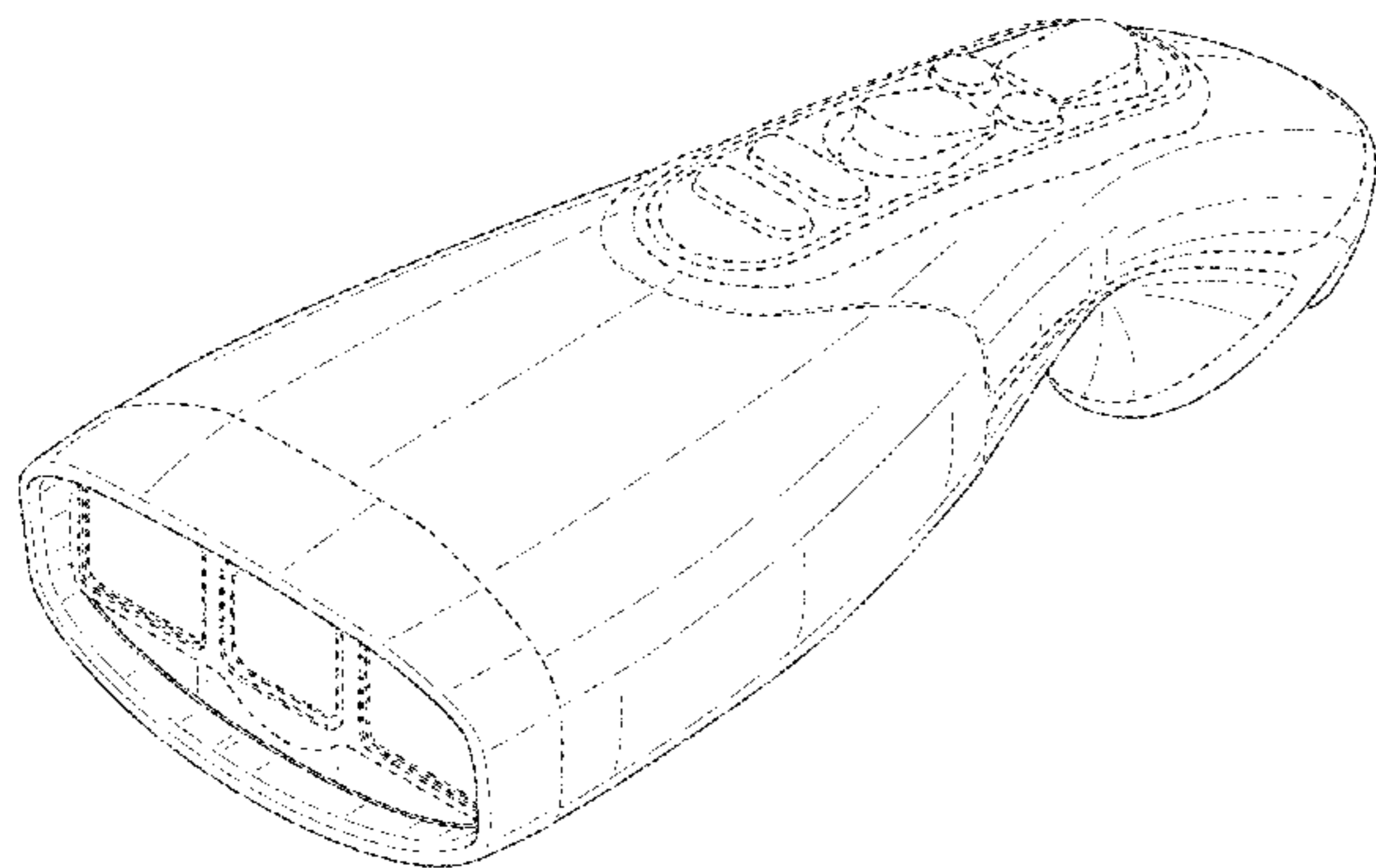
4,471,766 A † 9/1984 Terayama A61F 6/208 600/10

4,532,918 A † 8/1985 Wheeler A61B 1/0638 348/23

4,556,057 A † 12/1985 Hiruma A61B 1/043 600/43

4,575,632 A † 3/1986 Lange H04N 3/09 250/33

4,597,630 A † 7/1986 Brandstetter G03H 1/06 359/11



US D977,480 S

4,611,888	A ‡	9/1986	Prenovitz	A61B 1/042 348/75	5,255,087	A ‡	10/1993	Nakamura	A61B 1/05 348/16
4,638,365	A ‡	1/1987	Kato	H04N 5/2352 348/22	5,278,642	A ‡	1/1994	Danna	A61B 1/00096 348/26
4,656,508	A ‡	4/1987	Yokota	H04N 5/2254 348/45	5,282,082	A ‡	1/1994	Espie	G02B 23/12 359/35
4,660,982	A ‡	4/1987	Okada	A61B 1/00096 356/63	5,295,017	A ‡	3/1994	Brown	G02B 21/00 359/35
4,688,905	A ‡	8/1987	Okamura	B60R 1/002 359/40	RE34,622	E ‡	5/1994	Ledley	B30B 9/04 100/25
4,717,952	A ‡	1/1988	Kohayakawa	A61B 1/042 348/16	5,365,057	A ‡	11/1994	Morley	G02B 23/12 250/21
4,742,388	A ‡	5/1988	Cooper	H04N 9/045 348/71	5,371,355	A ‡	12/1994	Wodecki	G02B 23/125 250/21
4,768,513	A ‡	9/1988	Suzuki	A61B 5/0071 600/47	5,377,686	A ‡	1/1995	O'Rourke	A61B 3/1241 600/31
4,786,813	A ‡	11/1988	Svanberg	G01J 3/02 250/45	5,379,756	A ‡	1/1995	Pileski	A61B 1/00096 348/65
4,799,104	A ‡	1/1989	Hosoya	A61B 1/05 348/71	5,408,263	A ‡	4/1995	Kikuchi	A61B 1/00059 348/22
4,806,005	A ‡	2/1989	Schneider	G02B 23/02 359/40	5,410,363	A ‡	4/1995	Capen	H04N 5/52 348/67
4,821,117	A ‡	4/1989	Sekiguchi	A61B 1/00009 348/68	5,419,323	A ‡	5/1995	Kittrell	A61B 5/0071 600/47
4,837,625	A ‡	6/1989	Douziech	H04N 5/53 348/67	5,420,628	A ‡	5/1995	Poulsen	G01N 21/5911 348/13
4,852,985	A ‡	8/1989	Fujihara	G02B 21/08 359/38	5,421,337	A ‡	6/1995	Richards-Kortum	A61B 5/0071 600/47
4,856,495	A ‡	8/1989	Tohjoh	A61B 1/00096 600/17	5,424,841	A ‡	6/1995	Van Gelder	G01N 21/6428 250/45
4,885,634	A ‡	12/1989	Yabe	A61B 1/00039 348/71	5,426,530	A ‡	6/1995	Copenhaver	G02B 6/0005 359/35
4,895,145	A ‡	1/1990	Joffe	A61B 18/20 606/11	5,430,476	A ‡	7/1995	Hafele	A61B 1/042 348/27
4,930,516	A ‡	6/1990	Alfano	A61B 5/0059 600/47	D362,435	S ‡	9/1995	Charych	D14/428
4,930,883	A ‡	6/1990	Salzman	G02B 7/1821 359/41	5,481,401	A ‡	1/1996	Kita	G02B 21/16 359/35
4,951,135	A ‡	8/1990	Sasagawa	A61B 1/00059 348/23	5,485,203	A ‡	1/1996	Nakamura	H04N 9/093 348/24
4,953,539	A ‡	9/1990	Nakamura	A61B 1/00177 348/E0.5	5,490,015	A ‡	2/1996	Umeyama	G02B 7/08 359/81
4,954,897	A ‡	9/1990	Ejima	H04N 5/2354 348/22	5,507,287	A ‡	4/1996	Palcic	A61B 1/00186 356/31
4,974,936	A ‡	12/1990	Ams	G02B 23/2461 126/6	5,515,449	A ‡	5/1996	Tsuruoka	G06T 5/50 382/12
5,001,556	A ‡	3/1991	Nakamura	H04N 9/0455 348/70	5,535,052	A ‡	7/1996	Jorgens	G02B 21/0028 359/36
5,007,408	A ‡	4/1991	Ieoka	A61B 1/0638 600/10	5,536,236	A ‡	7/1996	Yabe	A61B 1/00089 600/12
5,028,128	A ‡	7/1991	Onuki	H04N 1/1013 353/12	5,557,451	A ‡	9/1996	Copenhaver	G02B 6/0005 359/35
5,034,888	A ‡	7/1991	Uehara	H04N 5/202 600/10	5,585,846	A ‡	12/1996	Kim	H04N 5/202 348/25
5,041,852	A ‡	8/1991	Misawa	H04N 5/23287 396/55	5,590,660	A ‡	1/1997	MacAulay	A61B 1/043 600/16
5,115,308	A ‡	5/1992	Onuki	H04N 1/00249 348/34	5,596,654	A ‡	1/1997	Tanaka	G06T 5/40 382/16
5,121,220	A ‡	6/1992	Nakamoto	G02B 7/16 359/41	D377,797	S *	2/1997	Stropkay	D14/218
5,128,803	A ‡	7/1992	Sprafke	F41G 1/40 359/40	5,646,680	A ‡	7/1997	Yajima	H04N 5/775 348/74
5,132,837	A ‡	7/1992	Kitajima	G02B 21/18 359/36	5,647,368	A ‡	7/1997	Zeng	A61B 1/00009 600/47
5,134,662	A ‡	7/1992	Bacus	G01N 15/1468 348/79	5,647,840	A ‡	7/1997	D'Amelio	A61B 1/00091 600/16
5,165,079	A ‡	11/1992	Schulz-Hennig	G01J 3/12 359/63	5,667,472	A ‡	9/1997	Finn	A61B 1/00165 600/10
5,205,280	A ‡	4/1993	Dennison, Jr.	A61B 1/04 348/75	5,677,724	A ‡	10/1997	Takizawa	H04N 1/047 347/25
5,208,651	A ‡	5/1993	Buican	G01J 3/4406 356/45	5,682,567	A ‡	10/1997	Spruck	G02B 21/06 359/36
5,214,503	A ‡	5/1993	Chiu	H04N 5/2254 348/21	5,689,354	A ‡	11/1997	Orino	H04B 10/1125 398/12
5,225,883	A ‡	7/1993	Carter	G01J 5/0018 356/45	5,695,049	A ‡	12/1997	Bauman	A45C 11/005 206/5

US D977,480 S

<p>5,697,373 A ‡ 12/1997 Richards-Kortum A61B 5/0071 356/30</p>	<p>6,148,227 A ‡ 11/2000 Wagnieres A61B 1/043 348/77</p>	
<p>5,713,364 A ‡ 2/1998 DeBaryshe A61B 1/00059 250/46</p>	<p>6,161,035 A ‡ 12/2000 Furusawa A61B 1/042 250/46</p>	
<p>5,729,382 A ‡ 3/1998 Morita G02B 21/22 359/37</p>	<p>6,181,414 B1 ‡ 1/2001 Raz G01N 15/1475 250/33</p>	
<p>5,749,830 A ‡ 5/1998 Kaneko A61B 1/00082 348/E0.5</p>	<p>6,192,267 B1 ‡ 2/2001 Scherninski A61B 5/0071 600/43</p>	
<p>5,769,792 A ‡ 6/1998 Palcic A61B 5/0071 356/31</p>	<p>6,212,425 B1 ‡ 4/2001 Irion A61B 1/00186 600/47</p>	
<p>5,772,355 A ‡ 6/1998 Ross G02B 23/24 403/32</p>	<p>6,226,126 B1 ‡ 5/2001 Conemac G02B 27/143 250/23</p>	
<p>5,772,580 A ‡ 6/1998 Utsui A61B 1/00186 348/E0.7</p>	<p>6,258,576 B1 ‡ 7/2001 Richards-Kortum A61B 5/0059 425/28</p>	
<p>5,827,190 A ‡ 10/1998 Palcic A61B 1/043 600/47</p>	<p>D446,524 S * 8/2001 Bontly D14/426</p>	
<p>5,833,617 A ‡ 11/1998 Hayashi A61B 1/00009 600/47</p>	<p>6,280,378 B1 ‡ 8/2001 Kazuhiro A61B 1/0638 348/65</p>	
<p>5,838,001 A ‡ 11/1998 Minakuchi B41J 2/471 250/23</p>	<p>6,293,911 B1 ‡ 9/2001 Imaizumi A61B 1/00009 600/16</p>	
<p>5,840,017 A ‡ 11/1998 Furusawa A61B 1/00186 600/16</p>	<p>6,315,712 B1 ‡ 11/2001 Rovegno A61B 1/00052 348/E0.7</p>	
<p>5,852,498 A ‡ 12/1998 Youvan G01J 3/12 356/41</p>	<p>6,332,092 B1 ‡ 12/2001 Deckert G02B 23/2469 600/47</p>	
<p>5,891,016 A ‡ 4/1999 Utsui A61B 5/0071 600/16</p>	<p>6,364,829 B1 ‡ 4/2002 Fulghum A61B 1/00009 600/16</p>	
<p>5,897,269 A ‡ 4/1999 Ross G02B 23/24 403/32</p>	<p>6,364,831 B1 ‡ 4/2002 Crowley A61B 5/0071 600/17</p>	
<p>5,971,918 A ‡ 10/1999 Zanger G02B 23/2469 600/16</p>	<p>D456,809 S ‡ 5/2002 Schlieffers D14/426</p>	
<p>5,973,315 A ‡ 10/1999 Saldana F41G 3/06 250/21</p>	<p>D460,074 S * 7/2002 Ponnert D14/426</p>	
<p>5,984,861 A ‡ 11/1999 Crowley A61B 5/0071 600/17</p>	<p>6,419,628 B1 ‡ 7/2002 Rudischhauser .. A61B 1/00135 600/13</p>	
<p>5,986,271 A ‡ 11/1999 Lazarev A61B 1/043 250/45</p>	<p>6,422,994 B1 ‡ 7/2002 Kaneko A61B 1/00009 600/16</p>	
<p>5,986,642 A ‡ 11/1999 Ueda H04N 1/6011 345/54</p>	<p>6,462,770 B1 ‡ 10/2002 Cline A61B 1/00009 348/65</p>	
<p>5,990,996 A ‡ 11/1999 Sharp G02F 1/0136 348/E0.5</p>	<p>6,510,338 B1 ‡ 1/2003 Irion A61B 1/00186 600/16</p>	
<p>5,999,240 A ‡ 12/1999 Sharp G02B 5/3083 348/E0.5</p>	<p>6,526,213 B1 ‡ 2/2003 Ilenda C08K 5/0041 385/14</p>	
<p>6,002,137 A ‡ 12/1999 Hayashi A61B 1/00009 250/45</p>	<p>6,529,239 B1 ‡ 3/2003 Dyck H04N 9/04559 348/27</p>	
<p>6,004,263 A ‡ 12/1999 Nakaichi A61B 1/00165 600/12</p>	<p>6,529,768 B1 ‡ 3/2003 Hakamata A61B 1/00009 600/31</p>	
<p>6,008,889 A ‡ 12/1999 Zeng A61B 5/0059 356/31</p>	<p>6,537,211 B1 ‡ 3/2003 Wang A61B 5/415 600/17</p>	
<p>6,021,344 A ‡ 2/2000 Lui A61B 5/0059 351/15</p>	<p>6,544,102 B2 ‡ 4/2003 Schafer B24B 13/005 451/25</p>	
<p>6,028,622 A ‡ 2/2000 Suzuki A61B 1/00186 348/65</p>	<p>6,571,119 B2 ‡ 5/2003 Hayashi A61B 1/00009 250/45</p>	
<p>6,030,339 A ‡ 2/2000 Tatsuno A61B 1/00195 600/11</p>	<p>6,596,996 B1 ‡ 7/2003 Stone G01J 3/427 250/34</p>	
<p>6,059,719 A ‡ 5/2000 Yamamoto A61B 1/00059 600/10</p>	<p>6,603,552 B1 ‡ 8/2003 Cline A61B 5/0071 356/41</p>	
<p>6,059,720 A ‡ 5/2000 Furusawa A61B 1/00186 348/76</p>	<p>6,639,664 B2 ‡ 10/2003 Haan G02B 23/2492 356/24</p>	
<p>6,061,591 A ‡ 5/2000 Freitag A61B 5/0071 600/47</p>	<p>6,652,452 B1 ‡ 11/2003 Seifert A61B 1/00096 600/14</p>	
<p>6,069,689 A ‡ 5/2000 Zeng A61B 5/0059 356/30</p>	<p>6,750,971 B2 ‡ 6/2004 Overbeck A61B 1/00052 356/40</p>	
<p>6,070,096 A ‡ 5/2000 Hayashi A61B 1/00009 250/45</p>	<p>6,772,003 B2 ‡ 8/2004 Kaneko A61B 1/00096 600/47</p>	
<p>6,095,982 A ‡ 8/2000 Richards-Kortum A61B 5/0071 356/30</p>	<p>6,773,392 B2 ‡ 8/2004 Kikuchi A61B 1/051 600/10</p>	
<p>6,099,466 A ‡ 8/2000 Sano A61B 1/00186 600/10</p>	<p>6,786,865 B2 ‡ 9/2004 Dhindsa A61B 1/00068 600/15</p>	
<p>6,110,106 A ‡ 8/2000 MacKinnon A61B 5/0071 600/16</p>	<p>6,821,245 B2 ‡ 11/2004 Cline A61B 1/0669 600/16</p>	
<p>6,120,435 A ‡ 9/2000 Eino H04N 5/232 600/11</p>	<p>6,826,424 B1 ‡ 11/2004 Zeng G01J 3/0289 600/40</p>	
<p>6,147,705 A ‡ 11/2000 Krauter H04N 9/735 348/22</p>	<p>6,898,458 B2 ‡ 5/2005 Zeng G01J 3/0289 600/47</p>	
	<p>6,899,675 B2 ‡ 5/2005 Cline A61B 1/00009 600/10</p>	
	<p>6,922,583 B1 ‡ 7/2005 Perelman A61B 5/0075 600/47</p>	

US D977,480 S

2002/0186478	A1 ‡	12/2002	Watanabe	G02B 7/02 359/81	2005/0273011	A1 ‡	12/2005	Hattery	A61B 5/0059 600/47
2002/0196335	A1 ‡	12/2002	Ozawa	H04N 9/735 348/70	2005/0280783	A1 ‡	12/2005	Yamasaki	G03B 37/04 353/94
2003/0002036	A1 ‡	1/2003	Haan	G02B 23/2492 356/24	2005/0288593	A1 ‡	12/2005	Georgakoudi	G01N 21/64 600/47
2003/0042493	A1 ‡	3/2003	Kazakevich	A61B 1/0607 257/98	2006/0002141	A1 ‡	1/2006	Ouderkirk	G02B 6/0026 362/60
2003/0080193	A1 ‡	5/2003	Ryan	G06K 7/12 235/49	2006/0004292	A1 ‡	1/2006	Beylin	A61B 5/0084 600/47
2003/0117491	A1 ‡	6/2003	Avni	H04N 5/2354 348/77	2006/0017913	A1 ‡	1/2006	Kawamata	G01N 21/6458 356/35
2003/0135092	A1 ‡	7/2003	Cline	A61B 1/0638 600/16	2006/0089554	A1 ‡	4/2006	Ishihara	A61B 5/0071 600/47
2003/0153811	A1 ‡	8/2003	Muckner	A61B 1/00009 600/16	2006/0094109	A1 ‡	5/2006	Trainer	G01N 21/6458 435/28
2003/0191368	A1 ‡	10/2003	Wang	G01J 3/4406 600/16	2006/0146322	A1 ‡	7/2006	Komachi	A61B 5/0075 356/30
2003/0229270	A1 ‡	12/2003	Suzuki	G02B 23/2469 600/17	2006/0149133	A1 ‡	7/2006	Sugimoto	A61B 1/00009 600/16
2004/0006276	A1 ‡	1/2004	Demos	A61B 1/0669 600/47	2006/0155166	A1 ‡	7/2006	Takahashi	A61B 1/045 600/10
2004/0010183	A1 ‡	1/2004	Dhindsa	A61B 1/00068 600/15	2006/0211915	A1 ‡	9/2006	Takeuchi	A61B 1/05 600/10
2004/0020990	A1 ‡	2/2004	Havens	G06K 7/10574 235/472.01	2006/0215406	A1 ‡	9/2006	Thrailkill	A61B 1/00039 362/24
2004/0021859	A1 ‡	2/2004	Cunningham	H05B 45/22 356/30	2006/0217594	A1 ‡	9/2006	Ferguson	A61B 1/0676 600/17
2004/0037454	A1 ‡	2/2004	Ozawa	A61B 1/0638 382/12	2006/0241496	A1 ‡	10/2006	Fengler	A61B 1/00045 600/47
2004/0044275	A1 ‡	3/2004	Hakamata	A61B 1/043 600/31	2006/0247537	A1 ‡	11/2006	Matsumoto	A61B 5/0071 600/47
2004/0046865	A1 ‡	3/2004	Ueno	A61B 1/00186 348/70	2006/0250696	A1 ‡	11/2006	McGuire	G02B 27/145 359/63
2004/0133073	A1 ‡	7/2004	Berci	G03B 17/48 600/11	2006/0258910	A1 ‡	11/2006	Stefanchik	A61B 1/00135 600/12
2004/0134990	A1 ‡	7/2004	Fitch	G06K 7/10881 235/472.01	2007/0041195	A1 ‡	2/2007	Chen	F21V 29/74 362/29
2004/0143162	A1 ‡	7/2004	Krattiger	A61B 1/00057 600/17	2007/0091634	A1 ‡	4/2007	Sakurada	H05B 31/50 362/55
2004/0148141	A1 ‡	7/2004	Tsujita	A61B 5/0084 702/19	2007/0177152	A1 ‡	8/2007	Tearney	A61B 5/0084 356/47
2004/0149998	A1 ‡	8/2004	Henson	F21S 41/24 257/98	2007/0203413	A1 ‡	8/2007	Frangioni	A61B 1/3132 600/47
2004/0156124	A1 ‡	8/2004	Okada	G02B 27/021 359/75	2007/0213593	A1 ‡	9/2007	Nakaoka	A61B 5/0084 600/18
2004/0186351	A1 ‡	9/2004	Imaizumi	A61B 5/0071 600/16	2007/0229309	A1 ‡	10/2007	Tomita	G08G 1/096844 340/99
2004/0218115	A1 ‡	11/2004	Kawana	G02B 5/201 349/71	2008/0021274	A1 ‡	1/2008	Bayer	A61B 1/0676 600/11
2004/0225222	A1 ‡	11/2004	Zeng	A61B 1/0676 600/47	2008/0027280	A1 ‡	1/2008	Fengler	A61B 1/00126 600/11
2004/0245350	A1 ‡	12/2004	Zeng	G01N 21/6456 236/43	2008/0039697	A1 ‡	2/2008	Morishita	A61B 5/0071 600/18
2004/0263643	A1 ‡	12/2004	Imaizumi	A61B 1/00009 348/22	2008/0074752	A1 ‡	3/2008	Chaves	G02B 19/0066 359/64
2005/0027166	A1 ‡	2/2005	Matsumoto	A61B 1/0669 600/16	2008/0177140	A1 ‡	7/2008	Cline	A61B 5/0071 600/11
2005/0096505	A1 ‡	5/2005	Imaizumi	A61B 1/04 600/18	2008/0208006	A1 ‡	8/2008	Farr	A61B 1/0684 600/17
2005/0140270	A1 ‡	6/2005	Henson	F21K 9/00 313/50	2008/0217411	A1 ‡	9/2008	Ledwith	G06K 7/10881 235/472.02
2005/0143627	A1 ‡	6/2005	Cline	A61B 1/00009 600/18	2008/0246920	A1 ‡	10/2008	Buczek	A61B 90/36 351/22
2005/0154319	A1 ‡	7/2005	Cline	A61B 1/00009 600/47	2009/0012361	A1 ‡	1/2009	MacKinnon	G02B 23/2446 600/11
2005/0171440	A1 ‡	8/2005	Maki	A61B 5/0042 600/47	2009/0021739	A1 ‡	1/2009	Tsujita	H04N 9/04557 356/40
2005/0182291	A1 ‡	8/2005	Hirata	A61B 1/0096 600/10	2009/0036734	A1 ‡	2/2009	Dunki-Jacobs	A61B 1/00172 600/10
2005/0182321	A1 ‡	8/2005	Frangioni	A61B 1/043 600/43	2009/0040754	A1 ‡	2/2009	Brukilacchio	F21K 9/61 362/22
2005/0203421	A1 ‡	9/2005	Zeng	G01J 3/10 600/47	2009/0052185	A1 ‡	2/2009	Toriyama	A61B 1/043 362/29
2005/0256373	A1 ‡	11/2005	Bar-Or	A61B 1/00135 600/11	2009/0114799	A1 ‡	5/2009	Maeda	A61B 1/045 250/20

2009/0114803 A1 † 5/2009 Yamaguchi A61B 1/0646
250/22
2009/0122135 A1 † 5/2009 Matsui G02B 23/2461
348/65
2009/0122152 A1 † 5/2009 Yamaguchi A61B 1/045
348/22
2009/0124854 A1 † 5/2009 Yamaguchi A61B 1/00009
600/10
2009/0153797 A1 † 6/2009 Allon A61B 3/12
351/20
2009/0181339 A1 † 7/2009 Liang A61B 1/0638
433/29
2009/0201577 A1 † 8/2009 LaPlante G01N 21/6458
359/35
2009/0218405 A1 † 9/2009 Joseph G06K 7/10732
235/462.42
2009/0290149 A1 † 11/2009 Roth G01N 21/3581
356/30
2010/0065641 A1 † 3/2010 Liu G06K 7/10831
235/46
2010/0087741 A1 † 4/2010 Douplik A61B 5/0075
600/47
2010/0094136 A1 † 4/2010 Nakaoka A61B 1/043
600/47
2010/0110168 A1 † 5/2010 Avni A61B 1/045
348/68
2010/0110393 A1 † 5/2010 Chen G03B 21/16
353/58
2010/0121146 A1 † 5/2010 Sugimoto G02B 23/2423
600/11
2010/0125164 A1 † 5/2010 LaBombard A61B 1/00101
600/10
2010/0157039 A1 † 6/2010 Sugai A61B 5/0086
348/68
2010/0168588 A1 † 7/2010 Matsumoto A61B 1/0646
600/47
2010/0198010 A1 † 8/2010 Cline A61B 5/0071
600/10
2010/0208487 A1 † 8/2010 Li G02B 6/4298
362/55
2010/0277817 A1 † 11/2010 Durell G02B 7/02
359/81
2010/0308116 A1 † 12/2010 Sani A45C 11/00
235/472.01
2011/0024506 A1 † 2/2011 Nunnink G06K 7/10732
235/472.01
2011/0073658 A1 † 3/2011 Vassura G06K 7/10881
235/472.01
2011/0235017 A1 † 9/2011 Iwasaki H04N 9/04559
356/4
2011/0270092 A1 † 11/2011 Kang G01J 3/2823
600/47
2011/0290889 A1 † 12/2011 Tamburrini G06K 7/10881
235/470
2012/0006897 A1 † 1/2012 Barkan G06K 7/10722
235/472.01
2012/0044462 A1 † 2/2012 Kaji H04N 9/3144
353/31
2012/0150046 A1 † 6/2012 Watson A61B 5/6852
600/47
2012/0256002 A1 † 10/2012 O'Donnell G06K 7/10386
235/472.01
2012/0319645 A1 † 12/2012 O'Donnell H02J 7/025
320/108
2013/0008964 A1 † 1/2013 Hawley G06K 7/10851
235/472.01
2013/0237762 A1 † 9/2013 Fengler A61B 1/00144
600/17
2014/0071328 A1 † 3/2014 Miesak H04N 5/2256
348/34
2014/0078378 A1 † 3/2014 Demers G02B 6/0005
348/35
2014/0187967 A1 † 7/2014 Wood A61B 5/0077
600/47
2014/0194687 A1 † 7/2014 Fengler A61B 1/05
600/10

2015/0184811 A1 † 7/2015 Moore A61B 1/0638
362/23
2015/0230698 A1 † 8/2015 Cline A61B 1/051
600/10
2015/0320296 A1 † 11/2015 Morita G06T 7/0012
348/65
2015/0381909 A1 † 12/2015 Butte H04N 9/04
348/68
2016/0041098 A1 † 2/2016 Hirawake G01N 21/6456
250/45
2016/0044253 A1 † 2/2016 Dainty G02B 5/005
348/34
2016/0100763 A1 † 4/2016 Fengler A61B 5/0086
600/47
2016/0249019 A1 † 8/2016 Westwick H04N 9/04561
2016/0360956 A1 † 12/2016 Moore A61B 5/0071
2017/0064257 A1 † 3/2017 Westwick A61B 1/045
2017/0064258 A1 † 3/2017 Westwick H04N 5/2256
2017/0142314 A1 † 5/2017 Moore A61B 46/10
2017/0167980 A1 † 6/2017 Dimitriadis A61B 3/14
2017/0209050 A1 † 7/2017 Fengler G01J 3/021
2017/0273567 A1 † 9/2017 Fengler A61B 1/042
2017/0354392 A1 † 12/2017 Fengler A61B 5/0071

FOREIGN PATENT DOCUMENTS

EP 2859837 A1 † 4/2015
JP 2005-149996 A † 6/2005
JP 2006-003103 A † 1/2006
JP 2011-072424 A † 4/2011
JP 2011-169819 A † 9/2011
JP 2014-123941 A † 7/2014
WO WO-2008/071240 A1 † 6/2008
WO WO-2014/176375 A2 † 10/2014

OTHER PUBLICATIONS

US 6,692,429, 02/2004, (withdrawn) †
U.S. Non Final Office Action dated Aug. 2, 2019 for U.S. Appl. No. 15/623,100, filed Jun. 14, 2017, twelve pages. †
U.S. Non Final Office Action dated Aug. 21, 2019 for U.S. Appl. No. 15/584,405, filed May 2, 2017, six pages. †
U.S. Final Office Action dated Jul. 25, 2019 for U.S. Appl. No. 15/416,876, filed Jan. 26, 2017, thirteen pages. †
Sensitization (photography), definition from Wikipedia, original language German, 6 pages (Machine Translation). †
U.S. Non-Final Office Action dated Aug. 23, 2019 for U.S. Appl. No. 14/860,687, filed Sep. 21, 2015, fourteen pages. †
U.S. Appl. No. 16/441,493, filed Jun. 14, 2019. †
U.S. Non-Final Office Action dated Aug. 23, 2019 for U.S. Appl. No. 15/343,034, filed Nov. 3, 2016, eighteen pages. †
U.S. Non-Final Office Action dated Jan. 16, 2020, for U.S. Appl. No. 15/416,876, filed Jan. 26, 2017, thirteen pages. †
U.S. Non Final Office Action dated Aug. 23, 2019 for U.S. Appl. No. 15/343,038, filed Nov. 3, 2016, fourteen pages. †
European Extended Search Report dated Oct. 16, 2019, for Patent Application No. 17743524.5, filed Jan. 26, 2017, four pages. †
European Extended Search Report dated May 7, 2019, for Patent Application No. 16863277.6, filed Nov. 10, 2016, seven pages. †
Japanese Office Action dated Jan. 10, 2020, for Japanese Patent Application No. 2018- 516161, filed Nov. 10, 2016, five pages (including English translation). †
Japanese Office Action dated Jul. 12, 2019, for Patent Application No. 2018-516161, filed Nov. 10, 2016, twenty-one pages (including English translation). †
European Search Report dated Feb. 18, 2019 for EP Patent Application No. 18178620.3 filed on Jun. 19, 2018, eight pages. †
Canadian Office Action dated Nov. 5, 2019, for Patent Application No. 3027592, filed on Jun. 14, 2017, four pages. †
Chinese Notice of Allowance dated Jan. 13, 2020, for Patent Application No. 2017-10785223.7, filed Mar. 8, 2012, six pages (including English translation). †

- Brazilian Office Action dated Aug. 5, 2019, for Patent Application No. BR1120130229977, filed Mar. 8, 2012, four pages (including English translation).‡
- Australian Notice of Allowance dated Jun. 26, 2019 for Patent Application No. 2016351730 filed on Nov. 10, 2016, three pages.‡
- U.S. Final Office Action dated May 21, 2012 for U.S. Appl. No. 11/964,330, filed Dec. 26, 2007, twelve pages.‡
- U.S. Final Office Action dated Nov. 24, 2009 for U.S. Appl. No. 11/009,965, filed Dec. 10, 2004, fourteen pages.‡
- U.S. Non Final Office Action dated Apr. 2, 2009 for U.S. Appl. No. 11/009,965, filed Dec. 10, 2004, thirteen pages.‡
- U.S. Non Final Office Action dated Apr. 3, 2019 for U.S. Appl. No. 15/416,876, filed Jan. 26, 2017, thirteen pages.‡
- U.S. Non Final Office Action dated Aug. 15, 2018 for U.S. Appl. No. 15/348,664, filed Nov. 10, 2016, eleven pages.‡
- U.S. Non Final Office Action dated Aug. 16, 2013 for U.S. Appl. No. 12/761,462, filed Apr. 16, 2010, ten pages.‡
- U.S. Non Final Office Action dated Aug. 16, 2013 for U.S. Appl. No. 12/761,523, filed Apr. 16, 2010, nine pages.‡
- U.S. Non Final Office Action dated Dec. 10, 2010 for U.S. Appl. No. 11/412,715, filed Apr. 26, 2006, ten pages.‡
- U.S. Non Final Office Action dated Dec. 14, 2011 for U.S. Appl. No. 11/412,715, filed Apr. 26, 2006, eight pages.‡
- U.S. Non Final Office Action dated Feb. 1, 2017 for U.S. Appl. No. 14/860,687, filed Sep. 21, 2015, fifteen pages.‡
- U.S. Non Final Office Action dated Feb. 3, 2010 for U.S. Appl. No. 11/626,308, filed Jan. 23, 2007, eleven pages.‡
- U.S. Non Final Office Action dated Feb. 5, 2019 for U.S. Appl. No. 15/623,100, filed Jun. 14, 2017, ten pages.‡
- U.S. Non Final Office Action dated Jan. 2, 2008 for U.S. Appl. No. 11/122,267, filed May 4, 2005, five pages.‡
- U.S. Non Final Office Action dated Jan. 20, 2016 for U.S. Appl. No. 14/629,473, filed Feb. 23, 2015, fifteen pages.‡
- U.S. Non Final Office Action dated Jan. 26, 2017 for U.S. Appl. No. 15/343,034, filed Nov. 3, 2016, seventeen pages.‡
- U.S. Non Final Office Action dated Jan. 27, 2017 for U.S. Appl. No. 15/343,038, filed Nov. 3, 2016, fifteen pages.‡
- U.S. Non Final Office Action dated Jul. 2, 2013 for U.S. Appl. No. 12/933,512, filed Nov. 24, 2010, twelve pages.‡
- U.S. Non Final Office Action dated Jul. 17, 2003 for U.S. Appl. No. 09/905,642, filed Jul. 13, 2001, six pages.‡
- U.S. Non Final Office Action dated Jun. 1, 2007 for U.S. Appl. No. 10/899,648, filed Jul. 26, 2004, seven pages.‡
- U.S. Final Office Action dated Feb. 1, 2018 for U.S. Appl. No. 15/584,405, filed May 2, 2017, ten pages.‡
- U.S. Final Office Action dated Feb. 27, 2017 for U.S. Appl. No. 15/247,419, filed Aug. 25, 2016, ten pages.‡
- U.S. Final Office Action dated Jan. 11, 2019 for U.S. Appl. No. 15/343,038, filed Nov. 3, 2016, twelve pages.‡
- U.S. Final Office Action dated Jan. 14, 2019 for U.S. Appl. No. 14/860,687, filed Sep. 21, 2015, sixteen pages.‡
- U.S. Final Office Action dated Jan. 22, 2019 for U.S. Appl. No. 15/343,034, filed Nov. 3, 2016, twelve pages.‡
- U.S. Final Office Action dated Jul. 23, 2008 for U.S. Appl. No. 11/122,267, filed May 4, 2016, six pages.‡
- U.S. Final Office Action dated Jun. 5, 2014 for U.S. Appl. No. 12/761,462, filed Apr. 16, 2010, fourteen pages.‡
- U.S. Final Office Action dated Jun. 18, 2015 for U.S. Appl. No. 14/154,177, filed Jan. 13, 2014, eight pages.‡
- U.S. Final Office Action dated Mar. 22, 2016 for U.S. Appl. No. 14/873,842, filed Oct. 2, 2015, eighteen pages.‡
- U.S. Final Office Action dated May 11, 2011 for U.S. Appl. No. 11/412,715, filed Apr. 26, 2006, eight pages.‡
- Korean Office Action dated Jun. 27, 2017 for Korean Patent Application No. 2017-7008654, filed on Mar. 29, 2017, ten pages.‡
- Lyon, R.E. et al. (2002). "Eyeing the Camera: Into the Next Century," 10 Color and Imaging Conference Final Program & Proceedings 349-355.‡
- Russian Notice of Allowance dated Aug. 19, 2016 for Russian Patent Application No. 2013144845/07, filed on Mar. 8, 2012, thirteen pages.‡
- Torok, B. et al. (May 1996). "Simultane digitale IndocyaningrOn- und Fluoreszeinangiographie (Simultaneous Digital ICG and Fluorescein Angiography)," Klin Monatsbl Augenheilkd 208(5):333-336, (with English Translation of the Introduction).‡
- U.S. Final Office Action dated Apr. 24, 2015 for U.S. Appl. No. 12/933,512, filed Nov. 24, 2010, nineteen pages.‡
- U.S. Final Office Action dated Aug. 7, 2017 for U.S. Appl. No. 15/343,038, filed Nov. 3, 2016, eleven pages.‡
- U.S. Final Office Action dated Aug. 10, 2017 for U.S. Appl. No. 15/343,034, filed Nov. 3, 2016, twelve pages.‡
- U.S. Final Office Action dated Aug. 11, 2017 for U.S. Appl. No. 14/860,687, filed Sep. 21, 2015, seventeen pages.‡
- U.S. Final Office Action dated Dec. 14, 2018 for U.S. Appl. No. 15/584,405, filed May 2, 2017, seven pages.‡
- U.S. Notice of Allowance dated Apr. 7, 2004 for U.S. Appl. No. 09/905,642, filed Jul. 13, 2001, six pages.‡
- U.S. Notice of Allowance dated Aug. 6, 2015 for U.S. Appl. No. 13/853,656, filed Mar. 29, 2013, seven pages.‡
- U.S. Notice of Allowance dated Aug. 26, 2004 for U.S. Appl. No. 10/050,601, filed Jan. 15, 2002, eight pages.‡
- U.S. Notice of Allowance dated Dec. 10, 2012 for U.S. Appl. No. 11/964,330, filed Dec. 26, 2007, seven pages.‡
- U.S. Notice of Allowance dated Dec. 30, 2016 for U.S. Appl. No. 14/873,842, filed Oct. 2, 2015, eleven pages.‡
- U.S. Notice of Allowance dated Feb. 25, 2010 for U.S. Appl. No. 11/969,974, filed Jan. 7, 2008, four pages.‡
- U.S. Notice of Allowance dated Jan. 2, 2008 for U.S. Appl. No. 10/899,648, filed Jul. 26, 2004, three pages.‡
- U.S. Notice of Allowance dated Jul. 10, 2017 for U.S. Appl. No. 15/247,419, filed Aug. 25, 2016, eight pages.‡
- U.S. Notice of Allowance dated Jun. 25, 2015 for U.S. Appl. No. 12/933,512, filed Nov. 24, 2010 fourteen pages.‡
- U.S. Notice of Allowability dated Mar. 10, 2005 for U.S. Appl. No. 10/050,601, filed Jan. 15, 2002, five pages.‡
- U.S. Notice of Allowance dated Mar. 22, 2013 for U.S. Appl. No. 11/964,330, filed Dec. 26, 2007, eight pages.‡
- U.S. Notice of Allowance dated Mar. 28, 2016 for U.S. Appl. No. 13/853,656, filed Mar. 29, 2013, eight pages.‡
- U.S. Notice of Allowance dated May 18, 2015 for U.S. Appl. No. 13/930,225, filed Jun. 28, 2013, nine pages.‡
- U.S. Notice of Allowance dated Nov. 23, 2015 for U.S. Appl. No. 13/853,656, filed Mar. 29, 2013, seven pages.‡
- U.S. Notice of Allowance dated Oct. 5, 2007 for U.S. Appl. No. 10/899,648, filed Jul. 26, 2004, six pages.‡
- U.S. Notice of Allowance dated Oct. 10, 2014 for U.S. Appl. No. 12/761,462, filed Apr. 16, 2010, ten pages.‡
- U.S. Notice of Allowance dated Sep. 10, 2013 for U.S. Appl. No. 11/412,715, filed Apr. 26, 2006, eight pages.‡
- U.S. Notice of Allowance dated Sep. 14, 2012 for U.S. Appl. No. 11/830,323, filed Jul. 30, 2007, eight pages.‡
- Written Opinion of the International Searching Authority dated Aug. 3, 2006 for International Patent Application No. PCT/CA2006/000669, filed on Apr. 27, 2006, eight pages.‡
- Written Opinion of the International Searching Authority dated Dec. 7, 2007 for International Patent Application No. PCT/CA2007/001335, filed on Jul. 30, 2007, four pages.‡
- U.S. Non Final Office Action dated Nov. 5, 2014 for U.S. Appl. No. 13/930,225, filed Jun. 28, 2013, six pages.‡
- U.S. Non Final Office Action dated Nov. 23, 2009 for U.S. Appl. No. 11/969,974, filed Jan. 7, 2008, seven pages.‡
- U.S. Non Final Office Action dated Oct. 5, 2016 for U.S. Appl. No. 15/247,419, filed Aug. 25, 2016, eight pages.‡
- U.S. Non Final Office Action dated Oct. 7, 2011 for U.S. Appl. No. 11/964,330, filed Dec. 26, 2007; ten pages.‡
- U.S. Non Final Office Action dated Oct. 23, 2013 for U.S. Appl. No. 13/415,561, filed Mar. 8, 2012, ten pages.‡
- U.S. Non Final Office Action dated Sep. 6, 2016 for U.S. Appl. No. 14/873,842, filed Oct. 2, 2015, seven pages.‡
- U.S. Non Final Office Action dated Sep. 12, 2014 for U.S. Appl. No. 14/154,177, filed Jan. 13, 2014, four pages.‡
- U.S. Non Final Office Action dated Sep. 25, 2017 for U.S. Appl. No. 15/584,405, filed May 2, 2017, eight pages.‡
- U.S. Non Final Office Action with Restriction Requirement dated Mar. 4, 2011 for U.S. Appl. No. 11/830,323, filed Jul. 30, 2007, nine pages.‡

- U.S. Appl. No. 15/810,911, filed Nov. 13, 2017.‡
U.S. Non Final Office Action dated Jun. 5, 2018 for U.S. Appl. No. 14/860,687, filed Sep. 21, 2015, eighteen pages.‡
U.S. Non Final Office Action dated Jun. 8, 2018 for U.S. Appl. No. 15/343,034, filed Nov. 3, 2016, thirteen pages.‡
U.S. Non Final Office Action dated Jun. 8, 2018 for U.S. Appl. No. 15/584,405, filed May 2, 2017, eight pages.‡
U.S. Non Final Office Action dated Jun. 9, 2011 for U.S. Appl. No. 11/830,323, filed Jul. 30, 2007, five pages.‡
U.S. Non Final Office Action dated Jun. 20, 2008 for U.S. Appl. No. 11/009,398, filed Dec. 10, 2004, fifteen pages.‡
U.S. Non Final Office Action dated Jun. 23, 2010 for U.S. Appl. No. 11/009,965, filed Dec. 10, 2004, fifteen pages.‡
U.S. Non Final Office Action dated Jun. 27, 2014 for U.S. Appl. No. 13/415,561, filed Mar. 3, 2012, fourteen pages.‡
U.S. Non Final Office Action dated May 18, 2004 for U.S. Appl. No. 10/050,601, filed Jan. 15, 2002, eight pages.‡
U.S. Non Final Office Action dated May 25, 2018 for U.S. Appl. No. 15/343,038, filed Nov. 3, 2016, eleven pages.‡
International Search Report dated Aug. 3, 2006, for International Patent Application No. PCT/CA2006/000669, filed on Apr. 27, 2006, three pages.‡
International Search Report dated Aug. 3, 2012, for International Patent Application No. PCT/IB2012/000601, filed on Mar. 8, 2012, three pages.‡
International Search Report dated Dec. 7, 2007, for International Patent Application No. PCT/CA2007/001335, filed on Jul. 30, 2007, two pages.‡
International Search Report dated Jan. 21, 2002 for International Patent Application No. PCT/US2001/022198, filed on Jul. 13, 2001, three pages.‡
International Search Report dated Jul. 22, 2009 for International Patent Application No. PCT/US09/37506, filed on Mar. 18, 2009, two pages.‡
International Search Report dated May 13, 2008 for Intentional Patent Application No. PCT/CA2008/00015, filed on Jan. 8, 2008, one page.‡
Invitation to Pay additional Fees and, where Applicable, Protest Fee, dated Dec. 22, 2016 for International Patent Application No. PCT/CA2016/051 31 5, filed on Nov. 10, 2016, two pages.‡
Japanese Final Office Action dated Aug. 2, 2013 for Japanese Application No. 2008-509275, filed on Apr. 27, 2006, four pages.‡
Japanese Notice of Allowance dated Apr. 2, 2018 for Japanese Patent Application No. 2017-018858 filed on Feb. 3, 2017, six pages.‡
Japanese Notice of Allowance dated Jan. 5, 2017 for Japanese Patent Application No. 2015-238784, filed on Dec. 7, 2015, six pages.‡
Indian Office Action dated Jun. 26, 2018 for Indian Patent Application No. 8678/DELNP/2013 filed on Mar. 8, 2012, five pages.‡
International Preliminary Report on Patentability dated Dec. 27, 2018 for International Patent Application No. PCT/CA2017/050734 filed on Jun. 14, 2017, six pages.‡
International Preliminary Report on Patentability dated Feb. 3, 2009 for International Patent Application No. PCT/CA2007/001335 filed on Jul. 30, 2007, five pages.‡
International Preliminary Report on Patentability dated May 24, 2018 for International Patent Application No. PCT/CA2016/051315 filed on Nov. 10, 2016, nine pages.‡
International Preliminary Report on Patentability dated Nov. 6, 2007 for International Patent Application No. PCT/CA2006/000669, filed on Apr. 27, 2006, nine pages.‡
International Preliminary Report on Patentability dated Sep. 21, 2010 for International Patent Application No. PCT/US2009/037506, filed on Mar. 18, 2009, seven pages.‡
International Search Report and written Opinion dated Apr. 24, 2017 for International Patent Application No. PCT/CA2017/050083, filed on Jan. 26, 2017, seven pages.‡
International Search Report and written Opinion dated Feb. 10, 2017 for International Patent Application No. PCT/CA2016/051315 filed on Nov. 10, 2016, thirteen pages.‡
International Search Report and Written Opinion dated Sep. 18, 2017 for International Patent Application No. PCT/CA2017/050734, filed on Jun. 14, 2017, eight pages.‡
Japanese Office Action dated May 26, 2014 in Japanese Patent Application No. 2013-058356, filed on Mar. 18, 2009, w/Concise Explanation of the Relevance, three pages.‡
Japanese Office Action dated Nov. 11, 2011 for Japanese Application No. 2009-521077, filed on Jul. 30, 2007, four pages.‡
Japanese Office Action dated Sep. 14, 2012 for Japanese Application No. 2008-509275, filed on Apr. 27, 2006, seven pages.‡
Japanese Office Action dated Sep. 19, 2014 for Japanese Application No. 2013-246636, filed on Apr. 27, 2006, six pages.‡
Korean Decision on the Trial Against Final Rejection from the Intellectual Property Tribunal (IPT) dated Sep. 25, 2017 for Korean Patent Application No. 2013-7026479, filed on Oct. 7, 2013, seventeen pages.‡
Korean Notice of Allowance dated Dec. 13, 2017 for Korean Patent Application No. 10-2017-7008654, filed on Mar. 29, 2017, three pages.‡
Korean Notice of Allowance dated Jan. 2, 2017 for Korean Patent Application No. 10-2015-7033310, filed on Nov. 20, 2015, three pages.‡
Korean Office Action dated Aug. 20, 2015 for Korean Patent Application No. 20137026479 filed on Mar. 8, 2012, three pages. (have the translation of the OA, but not the OA itself).‡
Korean Office Action dated Aug. 30, 2016 for Korean Patent Application No. 10-2015-7033310 filed on Mar. 8, 2012, seven pages.‡
Korean Office Action dated Dec. 8, 2015 for Korean Patent Application No. 20157033310 filed on Mar. 8, 2012, seven pages.‡
Japanese Notice of Allowance dated Nov. 17, 2017 for Japanese Application No. 2016-253736 filed on Dec. 27, 2016, six pages.‡
Japanese Notice of Allowance dated Nov. 28, 2016 for Japanese Patent Application No. 2015-245598, filed on Mar. 8, 2012, six pages.‡
Japanese Office Action dated Apr. 3, 2015 for Japanese Patent Application No. 2013-058356, filed Mar. 18, 2009, four pages.‡
Japanese Office Action dated Apr. 20, 2012 for Japanese Patent Application No. 2011-500921, filed Mar. 18, 2009, four pages.‡
Japanese Office Action dated Dec. 8, 2017 for Japanese Patent Application No. 2017-018858 filed on Feb. 3, 2017, six pages.‡
Japanese Office dated Dec. 26, 2012 for Japanese Patent Application No. 2011-500921, filed on Mar. 18, 2009, two pages.‡
Japanese Office Action dated Feb. 17, 2012 for Japanese Application No. 2008-509275, filed on Apr. 27, 2006, six pages.‡
Japanese Office Action dated Jul. 22, 2014 for Japanese Patent Application No. 2013-557187 filed Mar. 8, 2012, seven pages.‡
Japanese Office Action dated Mar. 9, 2015 for Japanese Patent Application No. 2013-557187, filed Mar. 8, 2012, five pages.‡
European Notice of Allowance dated Nov. 25, 2016 for EP Patent Application No. 08706262.6 filed on Aug. 21, 2009, eight pages.‡
European Office Action dated Apr. 6, 2017, for EP Patent Application No. 09819758.5, filed on May 4, 2011, five pages.‡
European Office Action dated Apr. 13, 2017, for EP Patent Application No. 12754208.2 filed on Oct. 4, 2013, five pages.‡
European Office Action dated Dec. 3, 2015 for EP Patent Application No. 08706262.6 filed on Jan. 23, 2008; fifteen pages.‡
European Office Action dated Jan. 23, 2017 for EP Patent Application No. 16186321.2 filed on Aug. 30, 2016, two pages.‡
European Office Action dated Nov. 3, 2015 for EP Patent Application No. 12754208.2 filed Oct. 4, 2013, four pages.‡
European Office Action dated Nov. 19, 2015 for EP Patent Application No. 07 785 001.4, filed on Jul. 30, 2007, four pages.‡
European Office Action dated Sep. 29, 2015, for EP Patent Application No. 09721252.6 filed Mar. 18, 2009; five pages.‡
European Search Report dated Dec. 21, 2016 for EP Patent Application No. 16186321.2 filed on Aug. 30, 2016, nine pages.‡
European Search Report dated Jan. 24, 2012 for EP Patent Application No. 07785001.4 filed on Jul. 30, 2007, seven pages.‡
European Search Report dated Jul. 17, 2014 for EP Patent Application No. 09721252.6 filed Mar. 18, 2009; eleven pages.‡
European Search Report dated Oct. 1, 2014 for EP Patent Application No. 12754208.2 filed on Mar. 8, 2012, five pages.‡

European Search Report dated Oct. 9, 2013, for European Patent Application No. 06721854.5, filed on May 4, 2005, seven pages.‡

European Search Report dated Sep. 20, 2013 for EP Patent Application No. 08706262.6 filed on Jan. 23, 2008, five pages.‡

Georgakoudi, I et al. (2003). “Quantitative Characterization of Biological Tissue Using Optical Spectroscopy,” in Chapter 31 of Biomedical Photonics Handbook, Tuan Vo-Dinh (ed.), CRC Press, New York, thirty three pages.‡

Georgakoudi, I et al. (Apr. 2005). “Characterization of Dysplastic Tissue Morphology and Biochemistry in Barrett’s Esophagus using Diffuse Reflectance and Light Scattering Spectroscopy,” *Techniques in Gastrointestinal Endoscopy* 7(2):100-105.‡

Hubel, P.M. et al. (2004). “Spatial Frequency Response of Color Image Sensors: Bayer Color Filters and Foveon X3,” *Proceedings of SPIE* 5301:402-406.‡

Hung, J. et al. (1991). “Autofluorescence of Normal and Malignant Bronchial Tissue,” *Lasers in Surgery and Medicine* 11(2):99-105.‡

Indian Office Action dated Jan. 31, 2018 for Indian Patent Application No. 6532/DELNP/2010 filed on Sep. 16, 2010, five pages.‡

Chinese Office Action dated Mar. 14, 2017 for Chinese Patent Application No. 201280022284.3, filed on Nov. 7, 2013, seven pages.‡

Chinese Office Action dated Nov. 24, 2015 for Chinese Patent Application No. 2012800222843 filed on Mar. 8, 2012, sixteen pages.‡

Chinese Office Action dated Sep. 26, 2018 for Chinese Patent Application No. 2018092001857100, filed on Sep. 4, 2017, nineteen pages.‡

Dawson, J.B. et al. (Jul. 1980). “A Theoretical and Experimental Study of Light Absorption and Scattering by In Vivo Skin,” *Phys. Med. Biol.* 25(4):695-709.‡

European Notice of Allowance dated Feb. 28, 2018 for EP Patent Application No. 12754208.2 filed Oct. 4, 2013, six pages.‡

European Notice of Allowance dated Jul. 12, 2018 for EP Patent Application No. 12754208.2 filed Oct. 4, 2013, two pages.‡

European Notice of Allowance dated Jun. 22, 2017 for EP Patent Application No. 08706262.6 filed on Aug. 21, 2009, two pages.‡

European Notice of Allowance dated Mar. 6, 2018 for EP Patent Application No. 13180297.7 filed Aug. 13, 2013, seven pages.‡

European Notice of Allowance dated Mar. 18, 2019 for EP Patent Application No. 09819758.5, filed on May 4, 2011, seven pages.‡

European Notice of Allowance dated May 25, 2018 for EP Patent Application No. 13180297.7 filed Aug. 13, 2013, two pages.‡

Alfano, R.R. et al. (Oct. 1987). “Fluorescence Spectra From Cancerous and Normal Human Breast and Lung Tissues,” *IEEE Journal of Quantum Electronics* QE-23(10):1806-1811.‡

Andersson-Engels, S. et al. (Mar. 1989). “Tissue Diagnostics Using Laser Induced Fluorescence,” *Ber. Bunsenges Physical Chemistry* 93(3):335-342.‡

Australian Office Action dated Jun. 28, 2018 for Australian Patent Application No. 2016351730 filed on Nov. 10, 2016, five pages.‡

Australian Office Action dated May 10, 2019 for Australian Patent Application No. 2016351730 filed on Nov. 10, 2016, ten pages.‡

Bhunchet, E. et al. (Apr. 2002). “Fluorescein Electronic Endoscopy: A Novel Method for Detection of Early Stage Gastric Cancer Not Evident to Routine Endoscopy,” *Gastrointestinal Endoscopy* 55(4):562-571.‡

Canadian Office Action dated Feb. 1, 2017 for Canadian Patent Application No. 171282, filed on Oct. 27, 2016, two pages.‡

Canadian Office Action dated Feb. 19, 2019 for CA Patent Application No. 2,998,920 filed on Mar. 16, 2018, four pages.‡

Chinese Notice of Allowance dated Jun. 19, 2017 for Chinese Patent Application No. 201280022284.3, filed on Nov. 7, 2013, four pages.‡

Chinese Office Action dated Jul. 29, 2016 for Chinese Patent Application No. 2012800222843 filed on Mar. 8, 2012, eight pages.‡

* cited by examiner

‡ imported from a related application

Primary Examiner — Keli L Hill

(74) *Attorney, Agent, or Firm* — Morrison & Foerster LLP

(57)

CLAIM

We claim the ornamental design for a device for illumination and imaging of a target, as shown and described.

DESCRIPTION

FIG. 1 is a perspective view of a device for illumination and imaging of a target showing our new design;

FIG. 2 is a front view thereof;

FIG. 3 is a rear view thereof;

FIG. 4 is a left-side view thereof;

FIG. 5 is a right-side view thereof;

FIG. 6 is a top view thereof; and,

FIG. 7 is a bottom view thereof.

The broken lines in the drawings represent portions of the device for illumination and imaging of a target that form no part of the claimed design.

1 Claim, 7 Drawing Sheets

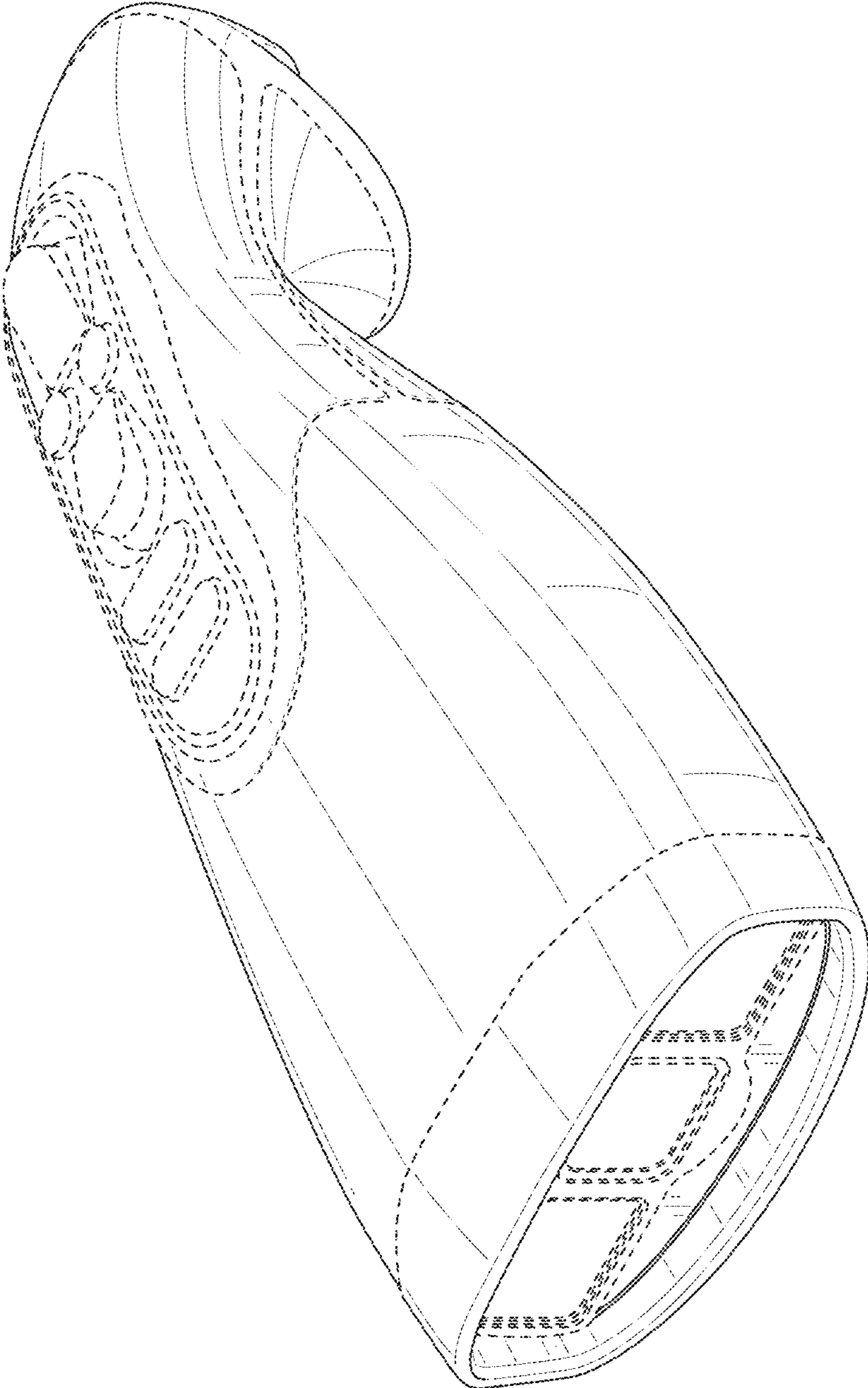


FIG. 1

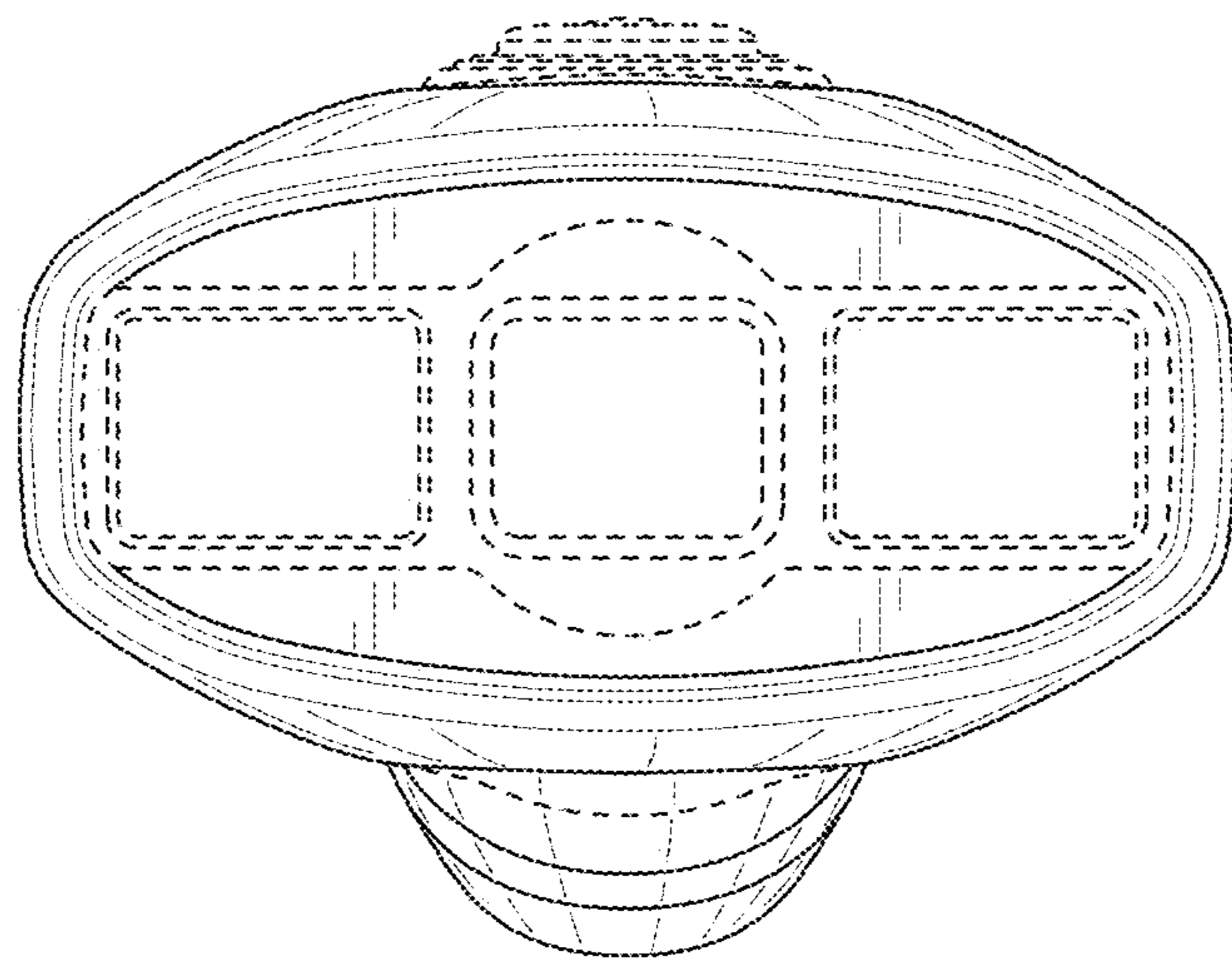


FIG. 2

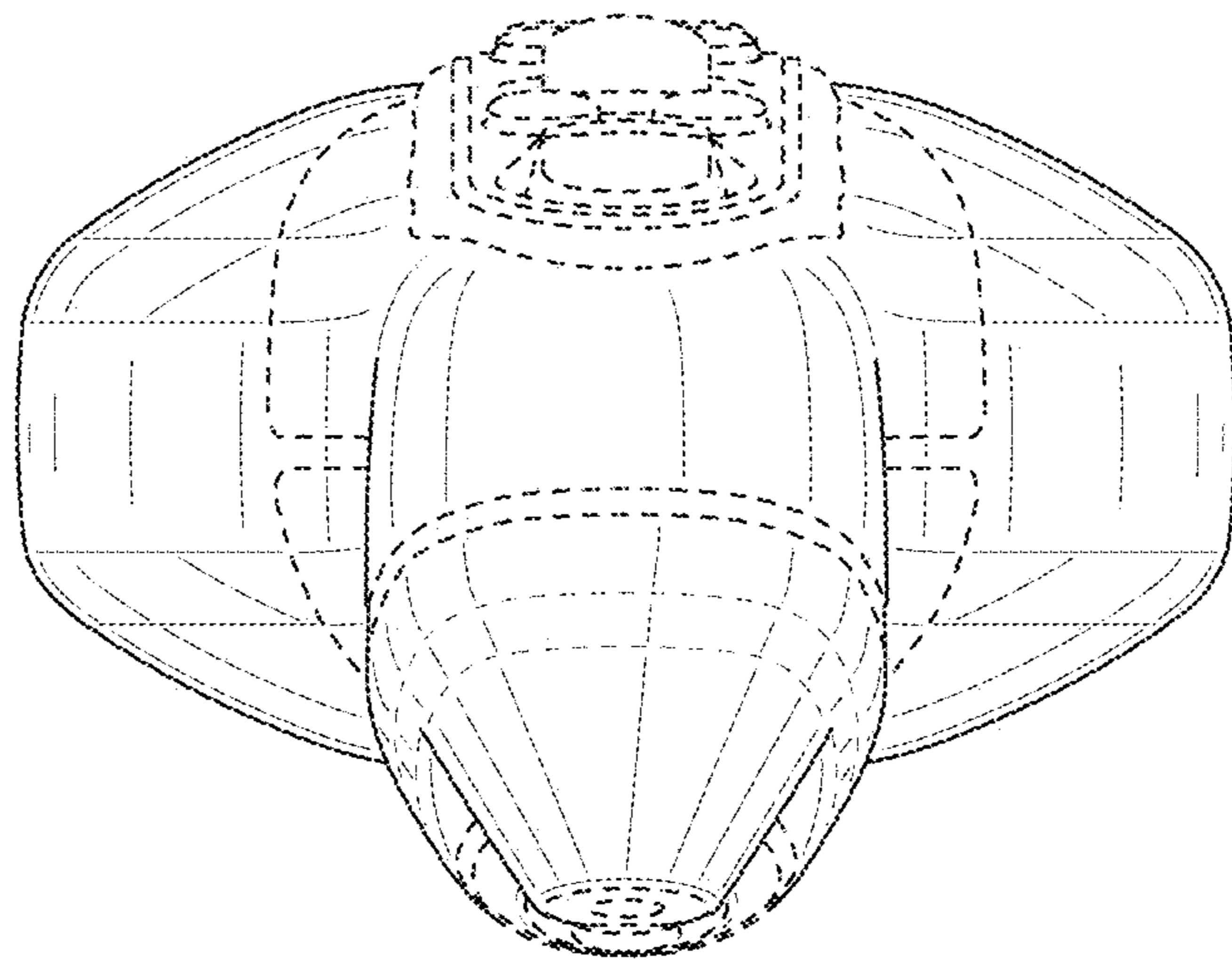


FIG. 3

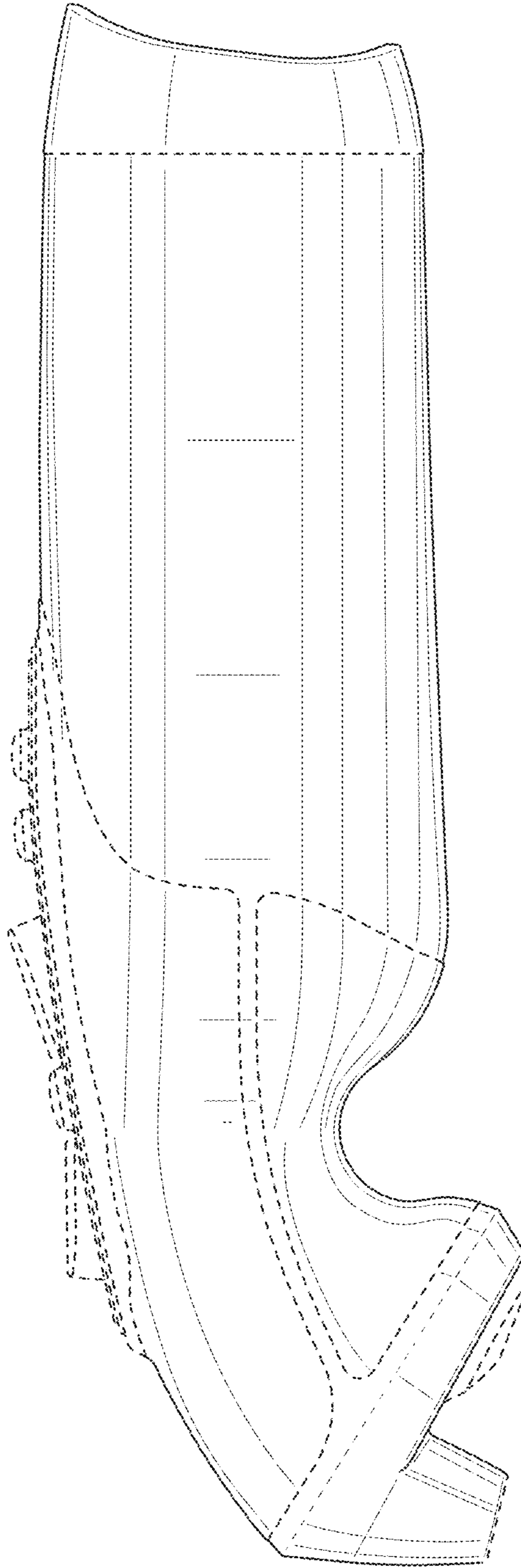


FIG. 4

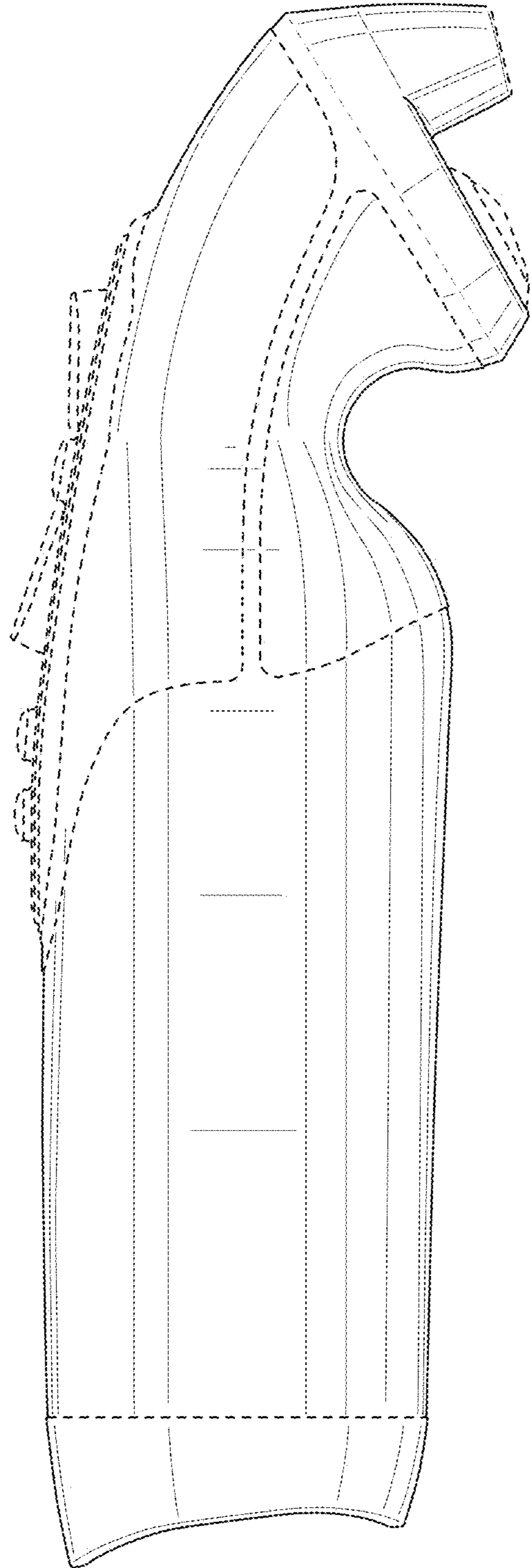


FIG. 5

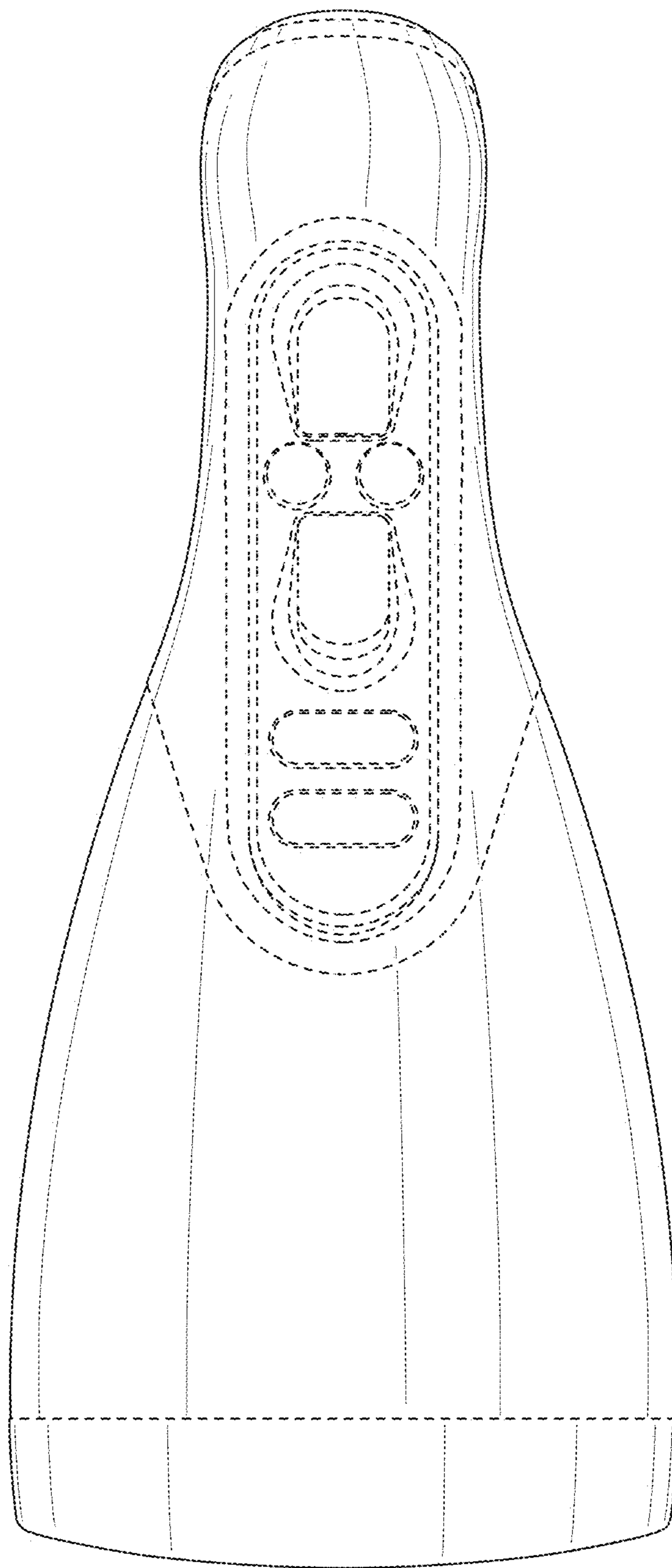


FIG. 6

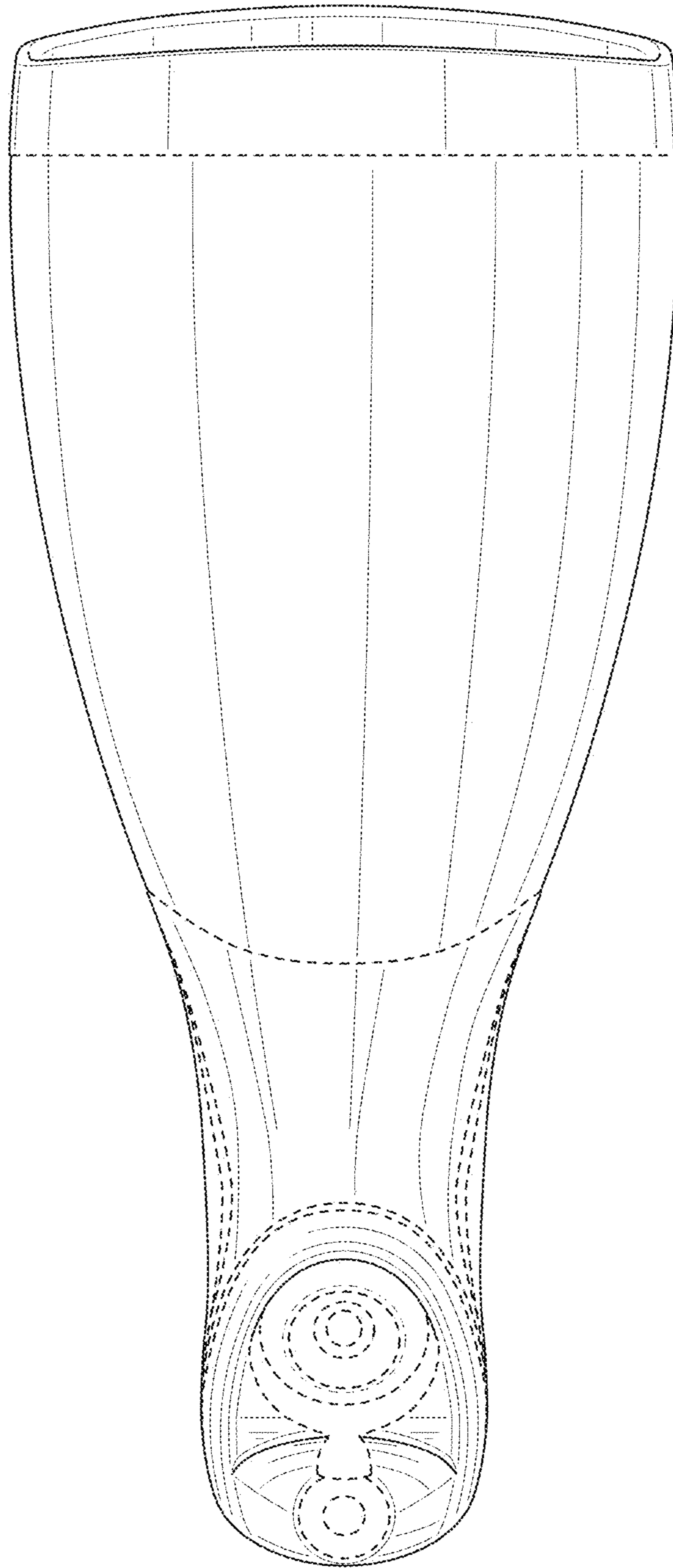


FIG. 7