



US00D977475S

(12) **United States Design Patent**  
**He et al.**

(10) **Patent No.:** **US D977,475 S**

(45) **Date of Patent:** **\*\* Feb. 7, 2023**

(54) **SMART WATCH**

(71) Applicant: **SHENZHEN DO INTELLIGENT TECHNOLOGY CO., LTD.**,  
Guangdong (CN)

(72) Inventors: **An He**, Guangdong (CN); **Peng Li**,  
Guangdong (CN)

(73) Assignee: **SHENZHEN DO INTELLIGENT TECHNOLOGY CO., LTD.**, Shenzhen  
(CN)

(\*\*) Term: **15 Years**

(21) Appl. No.: **29/757,823**

(22) Filed: **Nov. 10, 2020**

(30) **Foreign Application Priority Data**

Sep. 21, 2020 (CN) ..... 202030560595.2

(51) **LOC (14) Cl.** ..... **14-02**

(52) **U.S. Cl.**  
USPC ..... **D14/344**

(58) **Field of Classification Search**  
USPC ..... D5/56, 59-60, 99; D10/30-39, 70, 98,  
D10/1-2, 5, 10, 14-15, 21, 30-41;  
D11/3, 4, 5, 8, 26, 93-94, 78.1, 79, 86,  
D11/99; D14/138 R, 144, 341, 344, 358,  
D14/388, 218; D24/167, 186-190, 164,  
D24/169  
See application file for complete search history.

(56) **References Cited**

**U.S. PATENT DOCUMENTS**

D728,624 S \* 5/2015 Akana ..... D14/496  
D741,726 S \* 10/2015 Akana ..... D10/70  
D743,393 S \* 11/2015 Lim ..... D14/344  
D745,005 S \* 12/2015 Kim ..... D14/344

D754,793 S \* 4/2016 Akana ..... D20/23  
D758,219 S \* 6/2016 Akana ..... D10/70  
D759,011 S \* 6/2016 Akana ..... D14/344

(Continued)

**FOREIGN PATENT DOCUMENTS**

IN 336869-001-0001 \* 7/2022  
IN 362270-001-0001 \* 9/2022

(Continued)

**OTHER PUBLICATIONS**

Fitpolo—Amazon, Announced on Sep. 20, 2019 [online], Retrieved on Sep. 23, 2022, retrieved from internet, [https://www.amazon.com/Fitpolo-Waterproof-Monitoring-Pedometer-Activity/dp/B07Y4PT2NH/ref=asc\\_df\\_B07Y4PT2NH](https://www.amazon.com/Fitpolo-Waterproof-Monitoring-Pedometer-Activity/dp/B07Y4PT2NH/ref=asc_df_B07Y4PT2NH) (Year: 2019).\*

(Continued)

*Primary Examiner* — Messina L Smith

*Assistant Examiner* — Noah Perez

(74) *Attorney, Agent, or Firm* — Merchant & Gould P.C.

(57) **CLAIM**

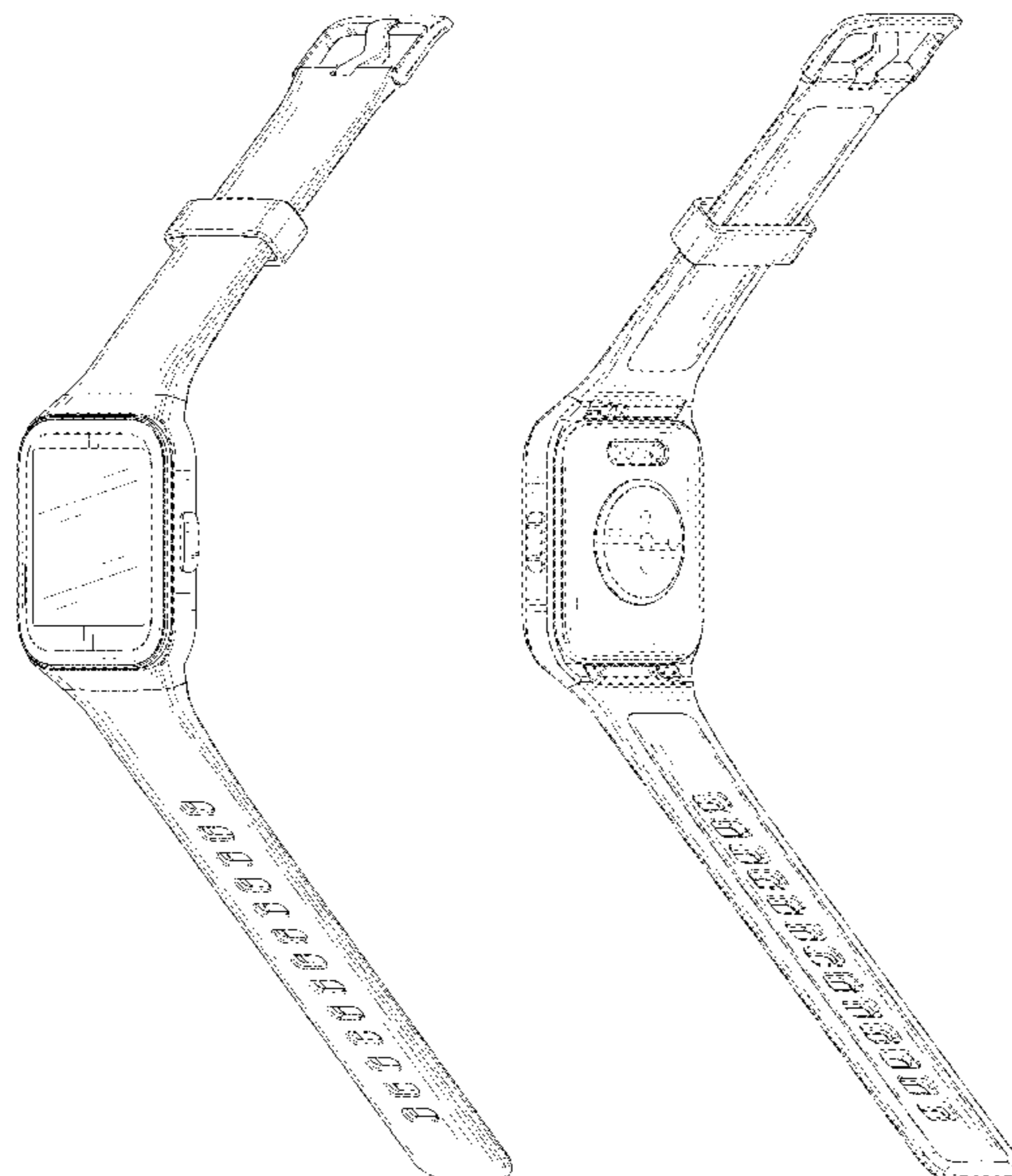
The ornamental design for the smart watch, as shown and described.

**DESCRIPTION**

FIG. 1 is a front and right-side perspective view of a smart watch showing our new design;  
FIG. 2 is a rear and left-side perspective view thereof;  
FIG. 3 is a front elevational view thereof;  
FIG. 4 is a rear elevational view thereof;  
FIG. 5 is a left-side elevational view thereof;  
FIG. 6 is a right-side elevational view thereof;  
FIG. 7 is a top plan view thereof; and,  
FIG. 8 is a bottom plan view thereof.

The broken lines shown in the drawings represent portions of the smart watch that form no part of the claimed design.

**1 Claim, 8 Drawing Sheets**



(56)

References Cited

U.S. PATENT DOCUMENTS

D759,120 S \* 6/2016 Akana ..... D14/203.7  
 D759,725 S \* 6/2016 Akana ..... D14/496  
 D782,537 S \* 3/2017 Akana ..... D14/511  
 D805,513 S \* 12/2017 Akana ..... D14/344  
 D807,765 S \* 1/2018 Akana ..... D10/70  
 D816,524 S \* 5/2018 Akana ..... D10/126  
 D828,352 S \* 9/2018 Akana ..... D14/344  
 D832,252 S \* 10/2018 Akana ..... D14/344  
 D837,082 S \* 1/2019 Akana ..... D11/3  
 D842,740 S \* 3/2019 Akana ..... D10/122  
 D842,855 S \* 3/2019 Akana ..... D14/344  
 D850,945 S \* 6/2019 Akana ..... D10/70  
 D855,813 S \* 8/2019 Hu ..... D10/70  
 D866,350 S \* 11/2019 Park ..... D14/344  
 D874,458 S \* 2/2020 Akana ..... D14/344  
 D875,092 S \* 2/2020 Akana ..... D14/344  
 D876,244 S \* 2/2020 Park ..... D10/32  
 D879,628 S \* 3/2020 Akana ..... D10/70  
 D882,563 S \* 4/2020 Akana ..... D14/344  
 D883,279 S \* 5/2020 Akana ..... D14/344  
 D883,976 S \* 5/2020 Akana ..... D14/344  
 D883,977 S \* 5/2020 Akana ..... D14/344  
 D891,425 S \* 7/2020 Lin ..... D10/70  
 D900,809 S \* 11/2020 Gao ..... D14/344  
 D901,493 S \* 11/2020 Gao ..... D14/344  
 D905,051 S \* 12/2020 Akana ..... D14/344  
 D912,665 S \* 3/2021 Zhang ..... D14/344  
 D916,699 S \* 4/2021 Akana ..... D14/344  
 D917,467 S \* 4/2021 Akana ..... D14/344  
 D917,470 S \* 4/2021 Akana ..... D14/344  
 D919,617 S \* 5/2021 Akana ..... D14/344  
 D922,378 S \* 6/2021 Lin ..... D14/344  
 D923,622 S \* 6/2021 Akana ..... D14/344  
 D927,999 S \* 8/2021 Paschke ..... D10/70  
 D931,853 S \* 9/2021 Xu ..... D14/344  
 D933,651 S \* 10/2021 Cheng ..... D14/344  
 D934,860 S \* 11/2021 King ..... D14/344  
 D937,701 S \* 12/2021 Akana ..... D11/3  
 D939,372 S \* 12/2021 Akana ..... D10/128  
 D940,583 S \* 1/2022 Akana ..... D11/5  
 D942,277 S \* 2/2022 Akana ..... D10/32  
 D946,444 S \* 3/2022 Akana ..... D10/122  
 D947,053 S \* 3/2022 Akana ..... D10/122  
 D947,180 S \* 3/2022 Akana ..... D14/344

D947,181 S \* 3/2022 Akana ..... D14/344  
 D947,182 S \* 3/2022 Akana ..... D14/344  
 D947,692 S \* 4/2022 Akana ..... D10/70  
 D947,839 S \* 4/2022 Akana ..... D14/344  
 D947,841 S \* 4/2022 Akana ..... D14/344  
 D947,842 S \* 4/2022 Akana ..... D14/344  
 D948,358 S \* 4/2022 Akana ..... D10/70  
 D953,323 S \* 5/2022 Akana ..... D14/344  
 D953,324 S \* 5/2022 Akana ..... D14/344  
 D954,702 S \* 6/2022 Park ..... D14/344  
 D955,380 S \* 6/2022 Akana ..... D14/344  
 D962,230 S \* 8/2022 Gao ..... D14/344  
 D962,930 S \* 9/2022 Akana ..... D14/344  
 D962,932 S \* 9/2022 He ..... D14/344  
 D962,933 S \* 9/2022 Akana ..... D14/344  
 D962,934 S \* 9/2022 Akana ..... D14/344  
 D962,935 S \* 9/2022 Akana ..... D14/344  
 D962,936 S \* 9/2022 Akana ..... D14/344  
 D962,937 S \* 9/2022 Akana ..... D14/344  
 D963,639 S \* 9/2022 Zhang ..... D14/344

FOREIGN PATENT DOCUMENTS

JP D1723258 \* 8/2022  
 JP D1725096 \* 9/2022  
 JP D1725231 \* 9/2022

OTHER PUBLICATIONS

Manuals+, Announced on Jan. 20, 2022 [online], retrieved on Sep. 23, 2022, retrieved from internet, <https://manuals.plus/shenzhen-xiaoiu-intelligent-technology/c01-smartwatch-manual#axzz7amK2tuRk> (Year: 2022).\*

T42—Walmart, No Announcement Date [online], retrieved on Sep. 23, 2022, retrieved from internet, <https://www.walmart.com/ip/T42-Smart-Watch-Bluetooth-Call-Heart-Rate-Monitor-Waterproof-Men-Women-Fitness-Tracker-Sports-Smart-Watch-Compatible-IOS-Android/291119635>.\*

AliExpress, No Announcement Date [online], retrieved on Sep. 23, 2022, retrieved from internet, [https://www.aliexpress.us/item/3256803418846626.html?gatewayAdapt=glo2usa4itemAdapt&\\_randl\\_shipto=US](https://www.aliexpress.us/item/3256803418846626.html?gatewayAdapt=glo2usa4itemAdapt&_randl_shipto=US).\*

Ebay, No Announcement Date [online], retrieved Sep. 23, 2022, retrieved from internet, <https://www.ebay.com/itm/224753223986>.\*

\* cited by examiner

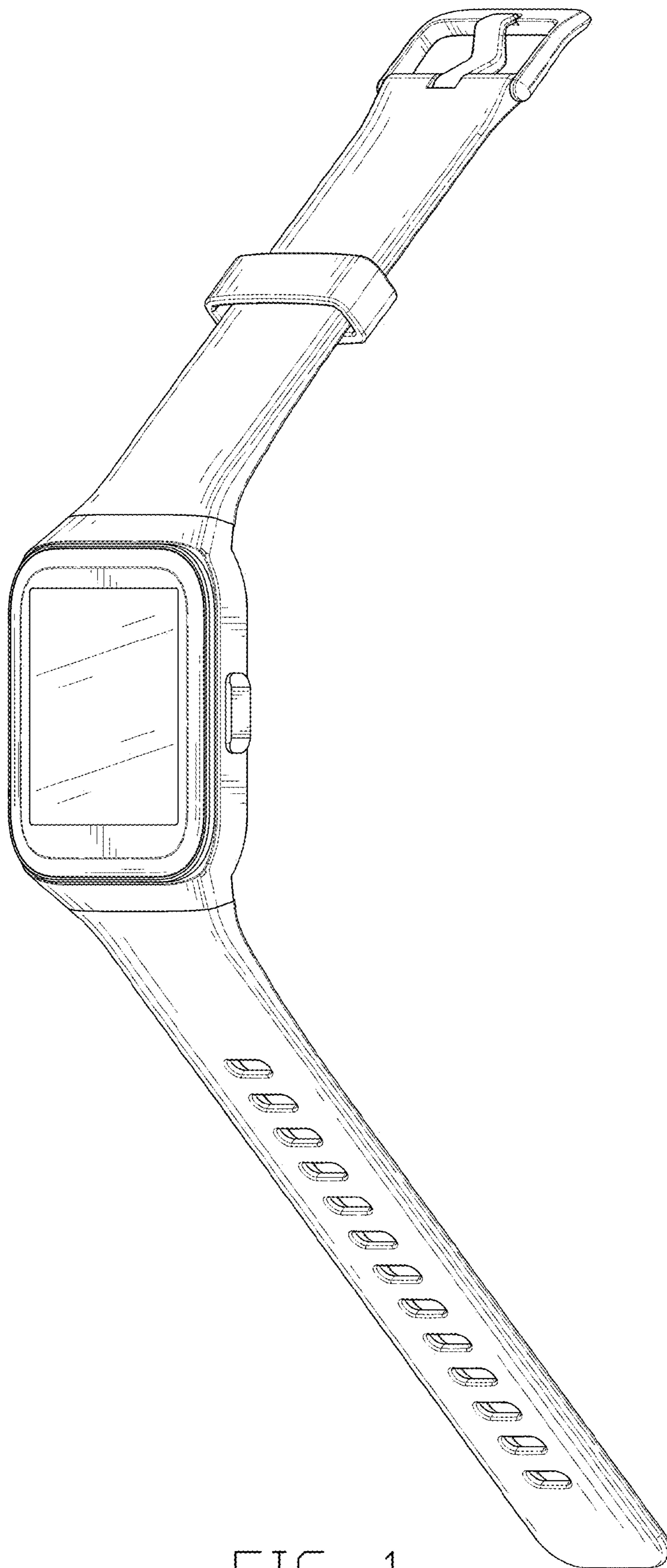


FIG. 1



FIG. 2

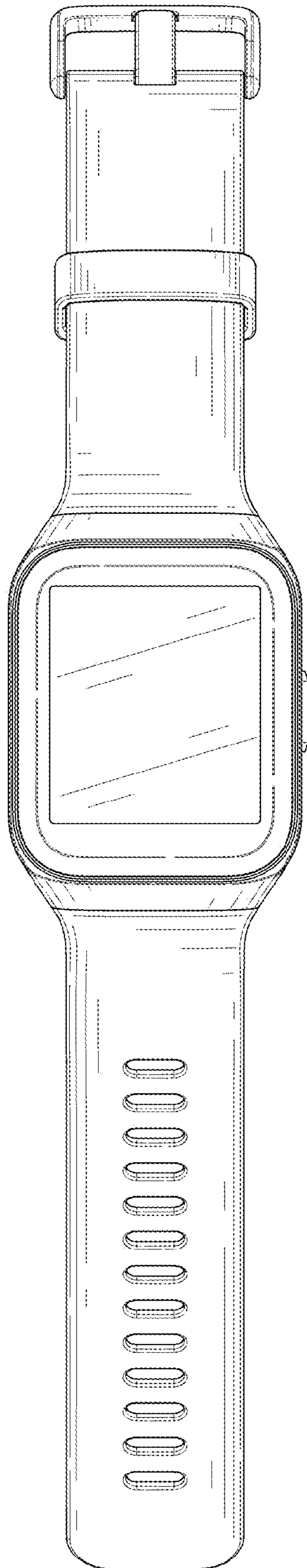


FIG. 3

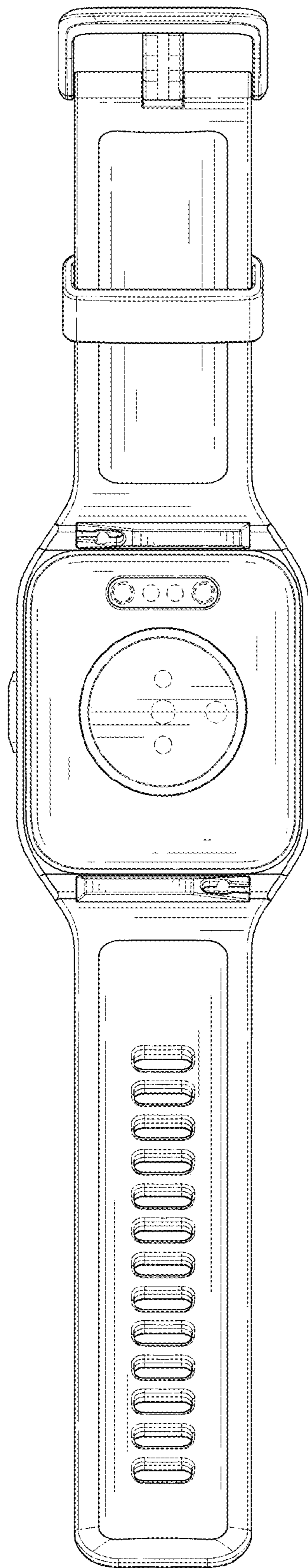


FIG. 4

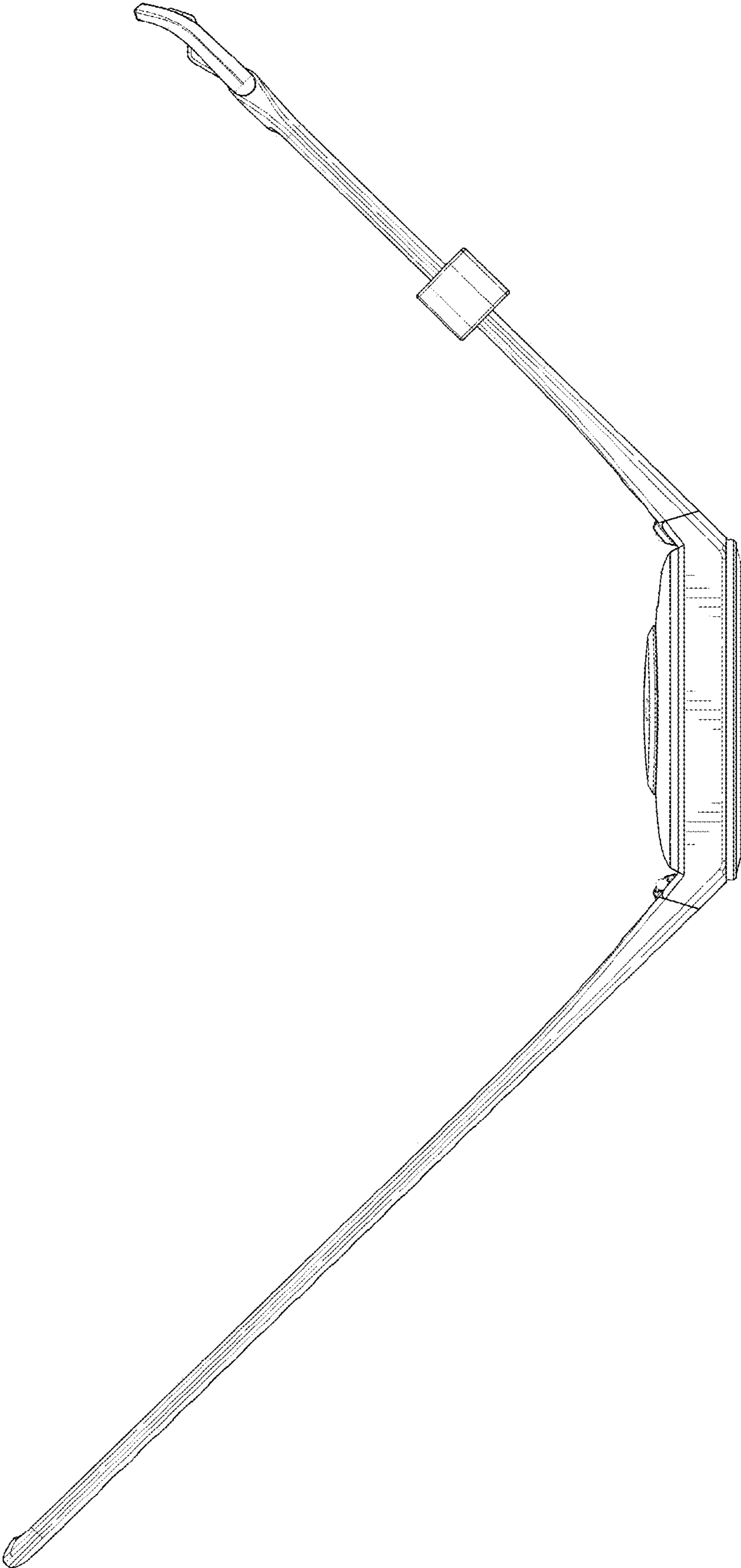


FIG. 5

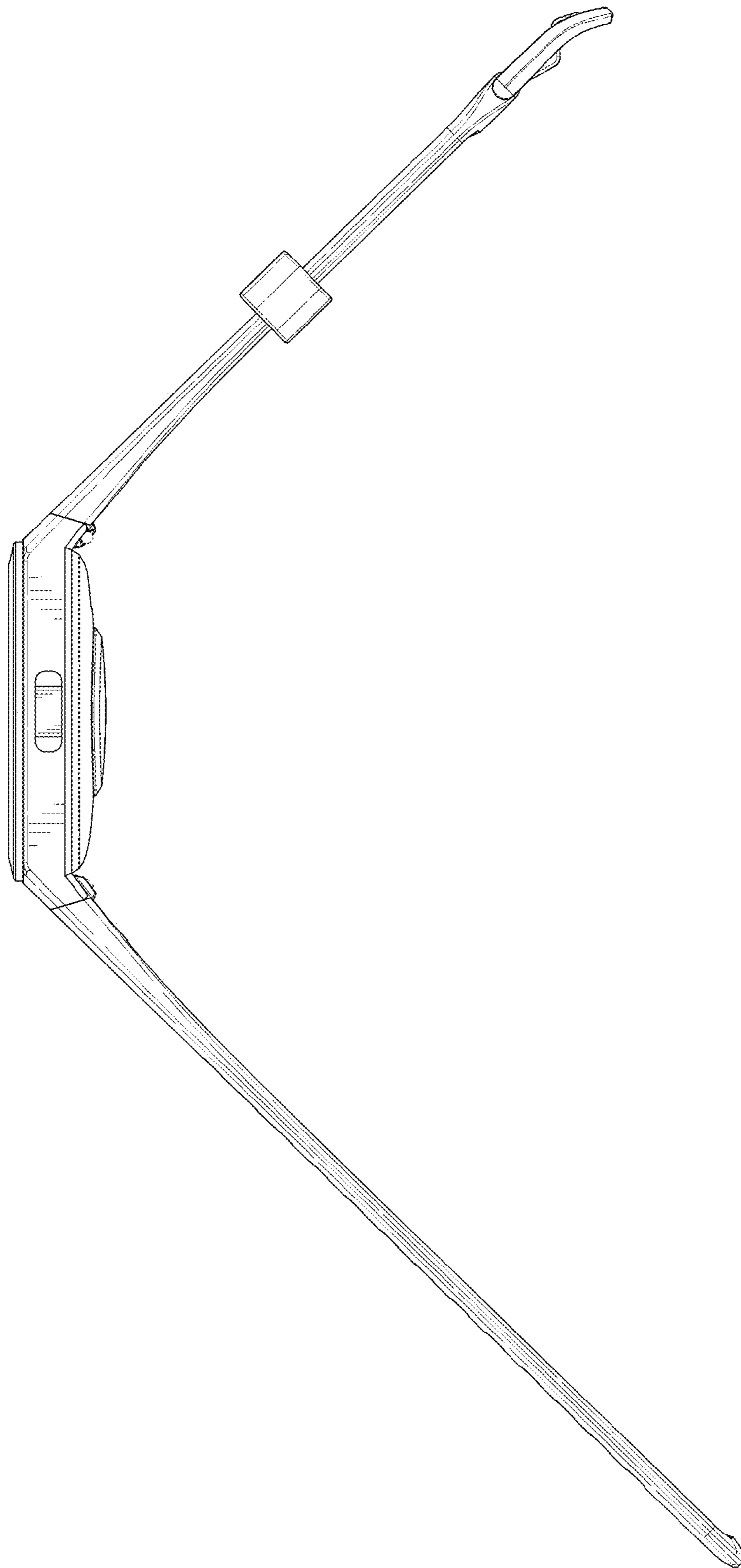


FIG. 6



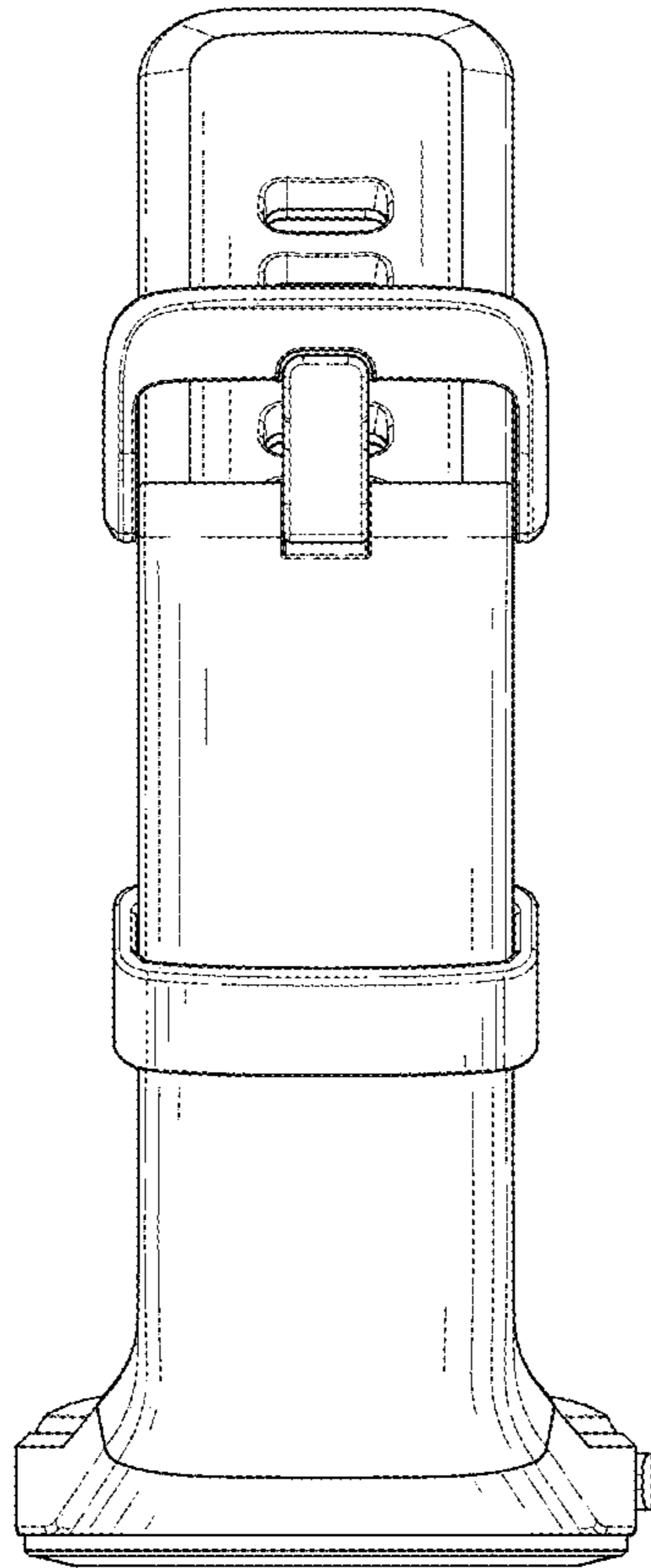


FIG. 7

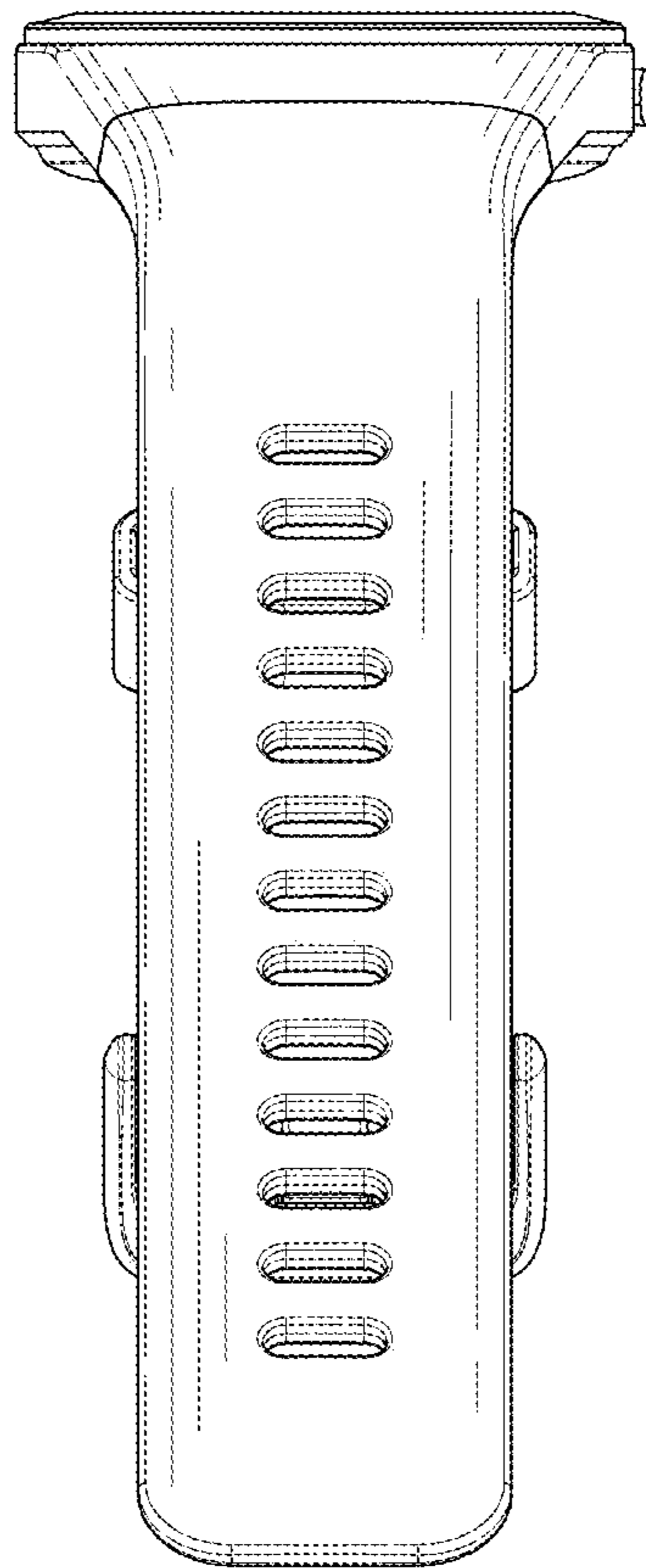


FIG. 8