



US00D977473S

(12) **United States Design Patent**
Tang

(10) **Patent No.:** **US D977,473 S**

(45) **Date of Patent:** **** Feb. 7, 2023**

(54) **PHONE HOLDER**

D949,841 S * 4/2022 Qiu D12/407
D949,842 S * 4/2022 Qiu D12/407
D963,636 S * 9/2022 Gan D14/253

(71) Applicant: **SHENZHEN ODIER SPORTS TECHNOLOGY CO., LIMITED**,
Shenzhen (CN)

FOREIGN PATENT DOCUMENTS

(72) Inventor: **Guanfu Tang**, Shenzhen (CN)

CN 202130608310.2 * 2/2022
EM 008684039-0001 * 9/2021

(73) Assignee: **SHENZHEN ODIER SPORTS TECHNOLOGY CO., LIMITED**,
Shenzhen (CN)

* cited by examiner

Primary Examiner — Janice Hallmark

(**) Term: **15 Years**

(57) **CLAIM**

The ornamental design for a phone holder, as shown and described.

(21) Appl. No.: **29/807,657**

DESCRIPTION

(22) Filed: **Sep. 14, 2021**

(51) **LOC (14) Cl.** **14-03**

(52) **U.S. Cl.**
USPC **D14/253**

(58) **Field of Classification Search**
USPC D14/250–253, 440, 447; D12/415, 419,
D12/114

CPC B60R 11/0252; H04M 1/04; H04M 1/06;
A45F 2200/0516

See application file for complete search history.

FIG. 1 is a perspective view of a phone holder showing my new design;

FIG. 2 is another perspective view thereof;

FIG. 3 is a front elevational view thereof;

FIG. 4 is a rear elevational view thereof;

FIG. 5 is a left side elevational view thereof;

FIG. 6 is a right side elevational view thereof;

FIG. 7 is a top plan view thereof;

FIG. 8 is a bottom plan view thereof;

FIG. 9 is a perspective view of the phone holder where the phone holder is in a configuration of use; and,

FIG. 10 is an enlarged view of portion 10 shown in FIG. 1.

The dash-dash broken lines in the drawings depict portions of the phone holder that form no part of the claimed design.

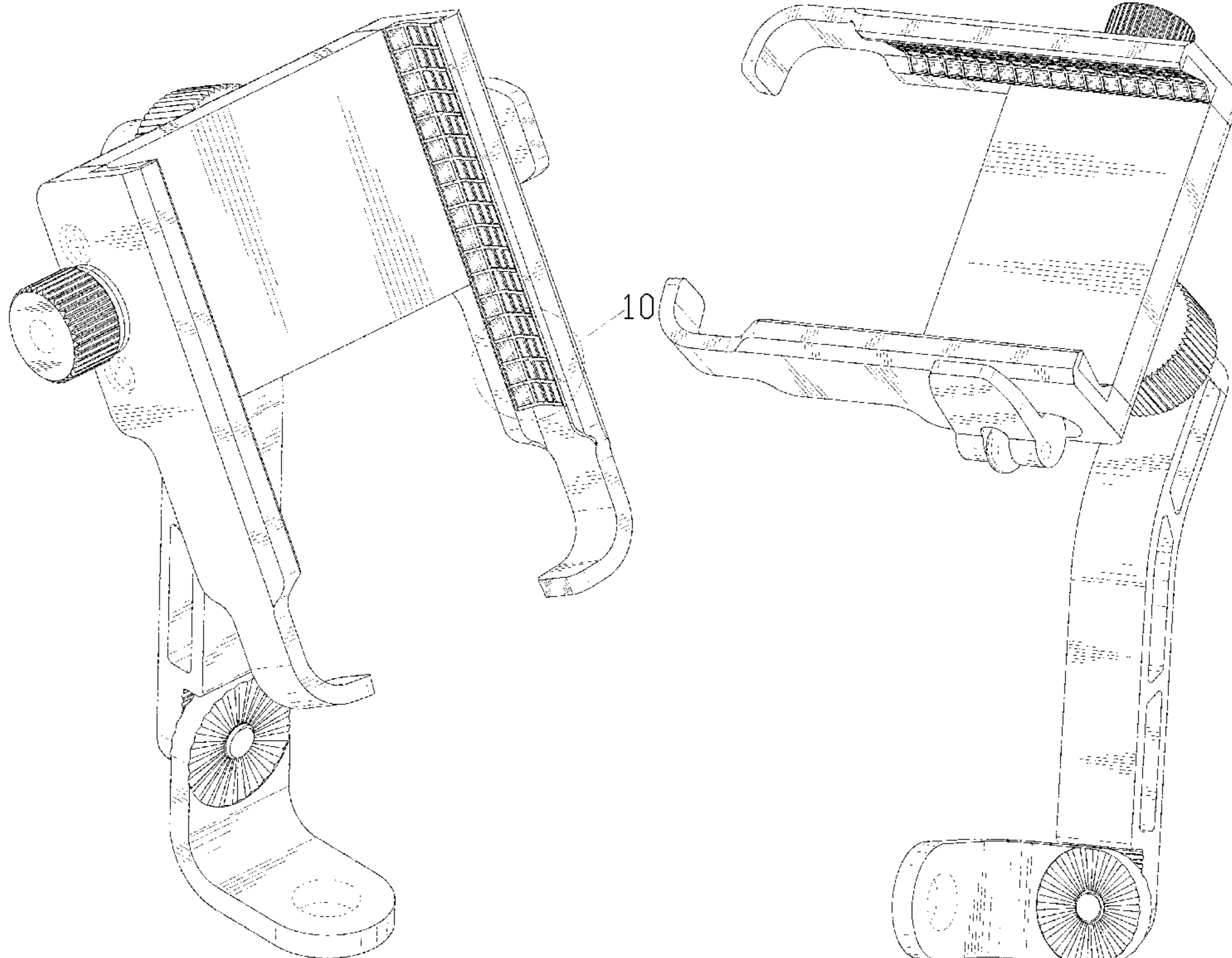
The dot-dash broken lines represent boundaries of the enlarged portion and form no part of the claimed design.

(56) **References Cited**

U.S. PATENT DOCUMENTS

D903,652 S * 12/2020 Qiu D14/253
D945,409 S * 3/2022 Tang D14/253
D945,410 S * 3/2022 Tang D14/253
D946,565 S * 3/2022 Liu D3/218

1 Claim, 10 Drawing Sheets



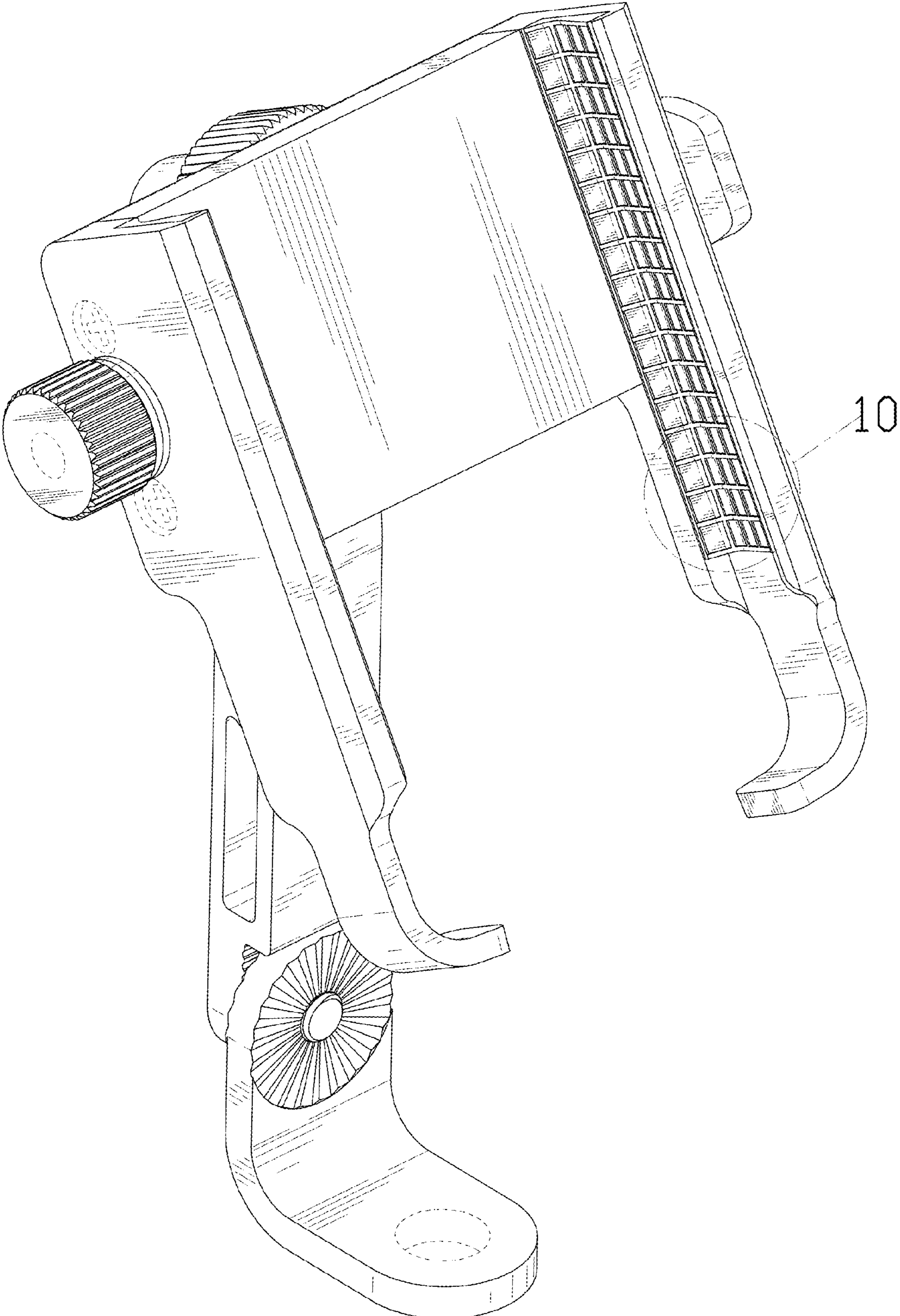


FIG. 1

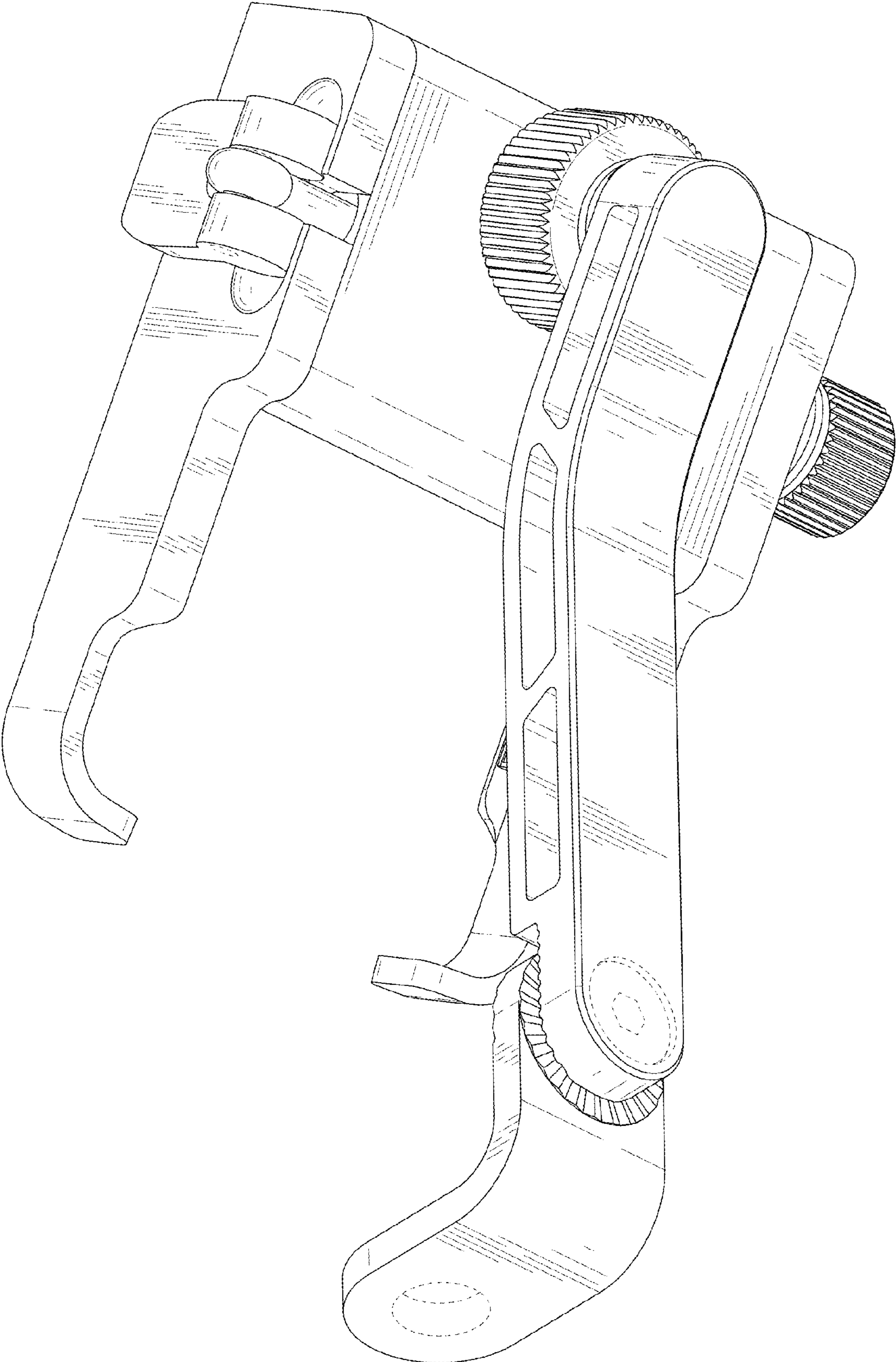


FIG. 2

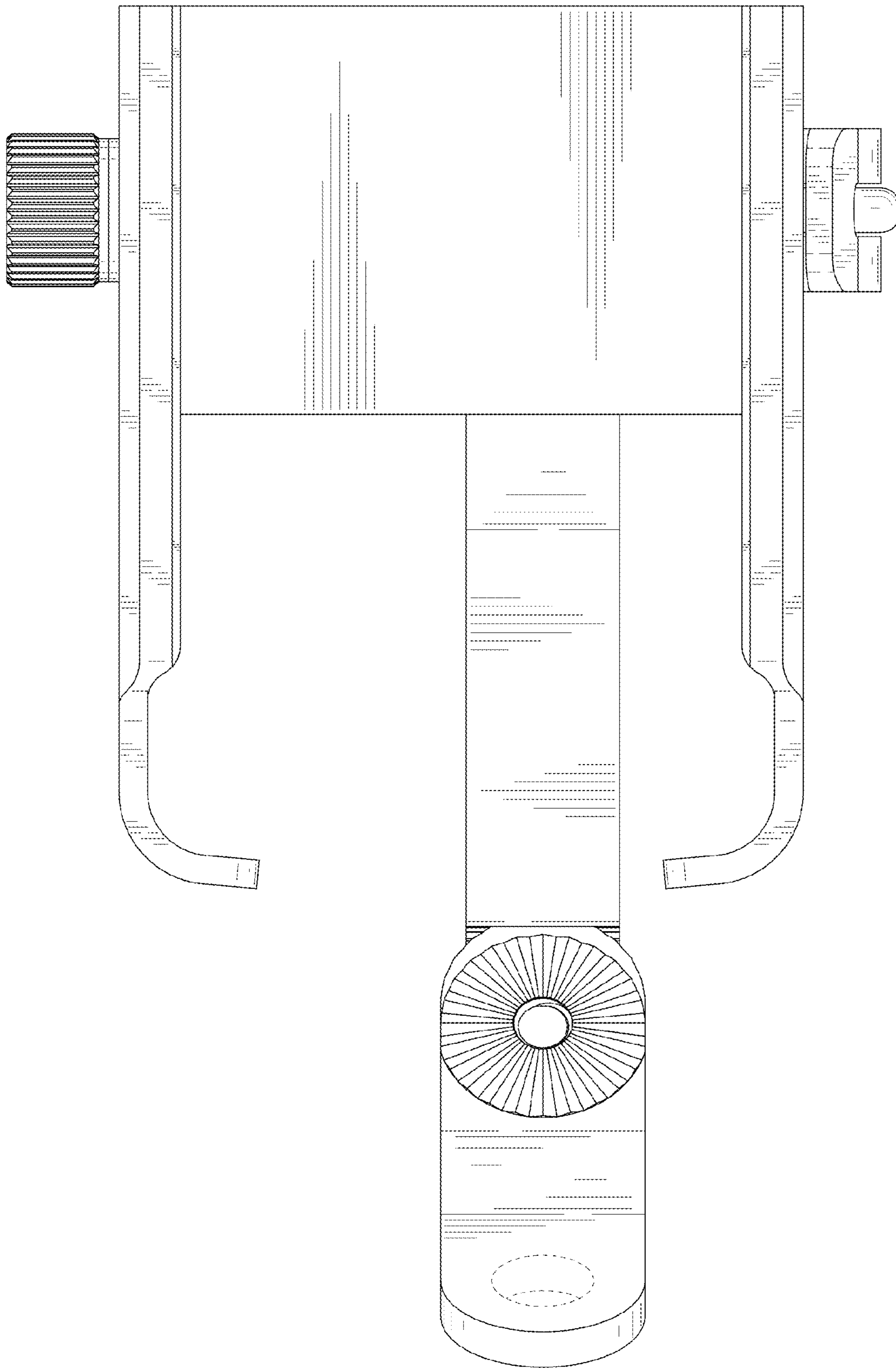


FIG. 3

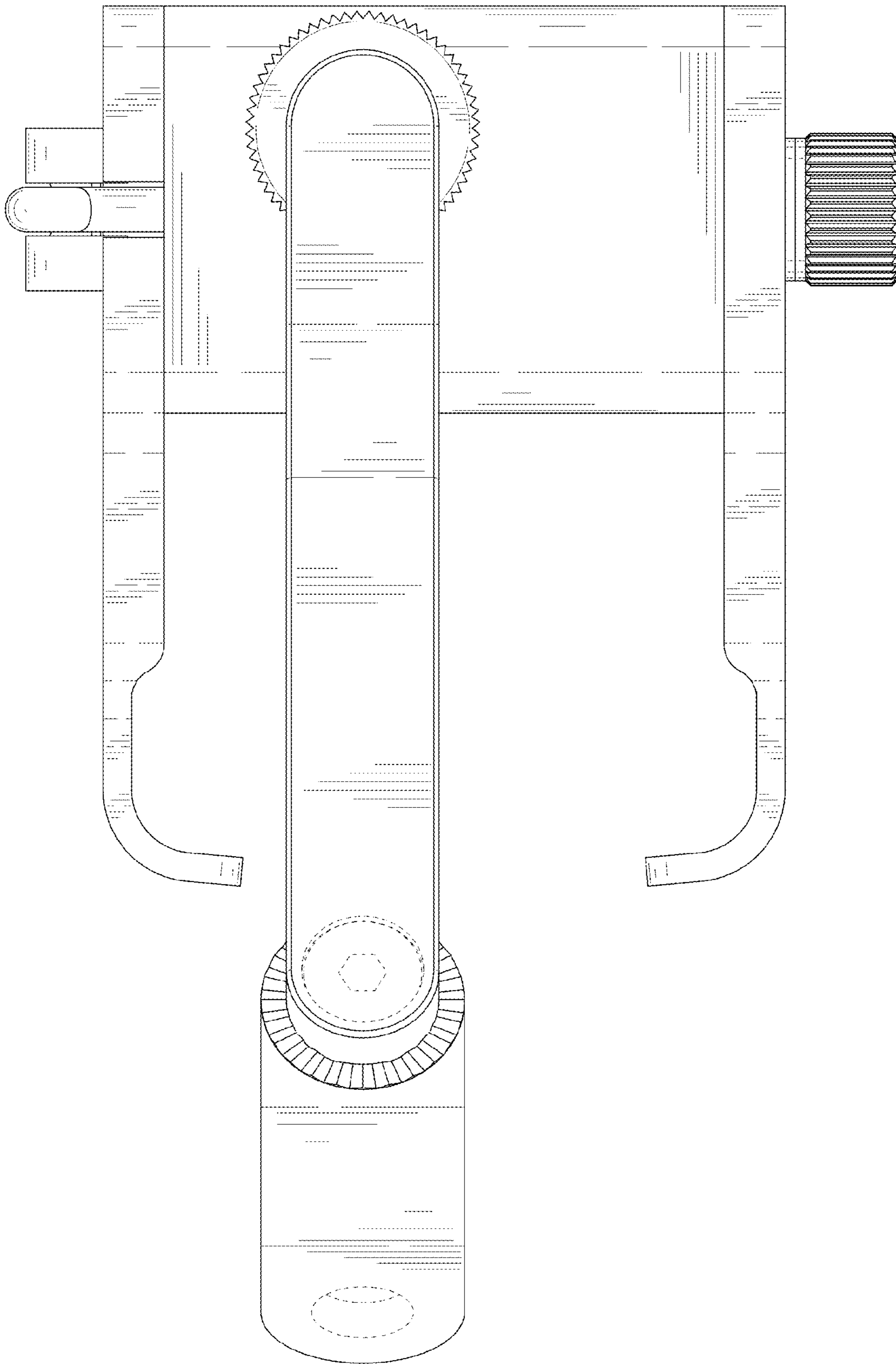


FIG. 4

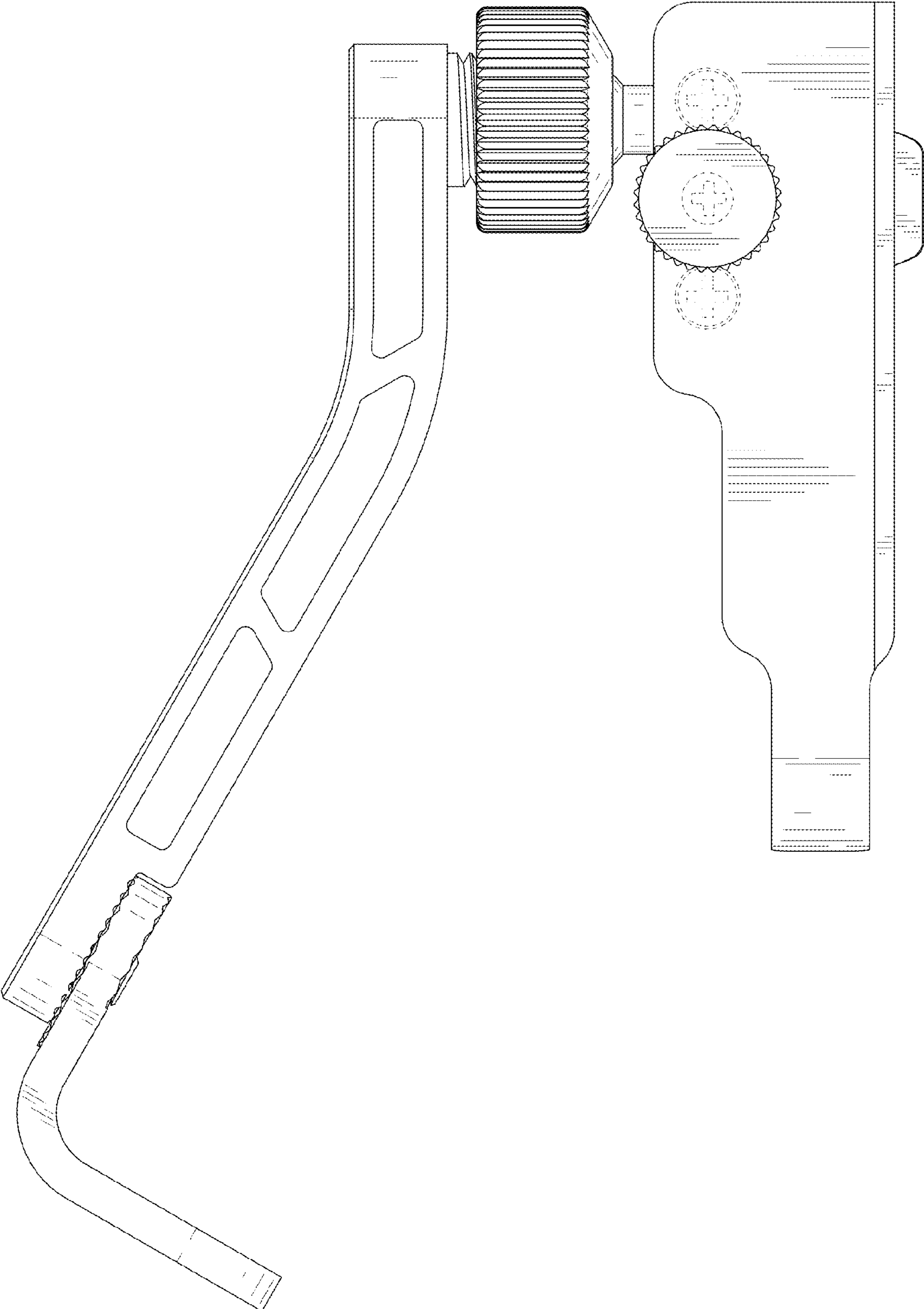


FIG. 5

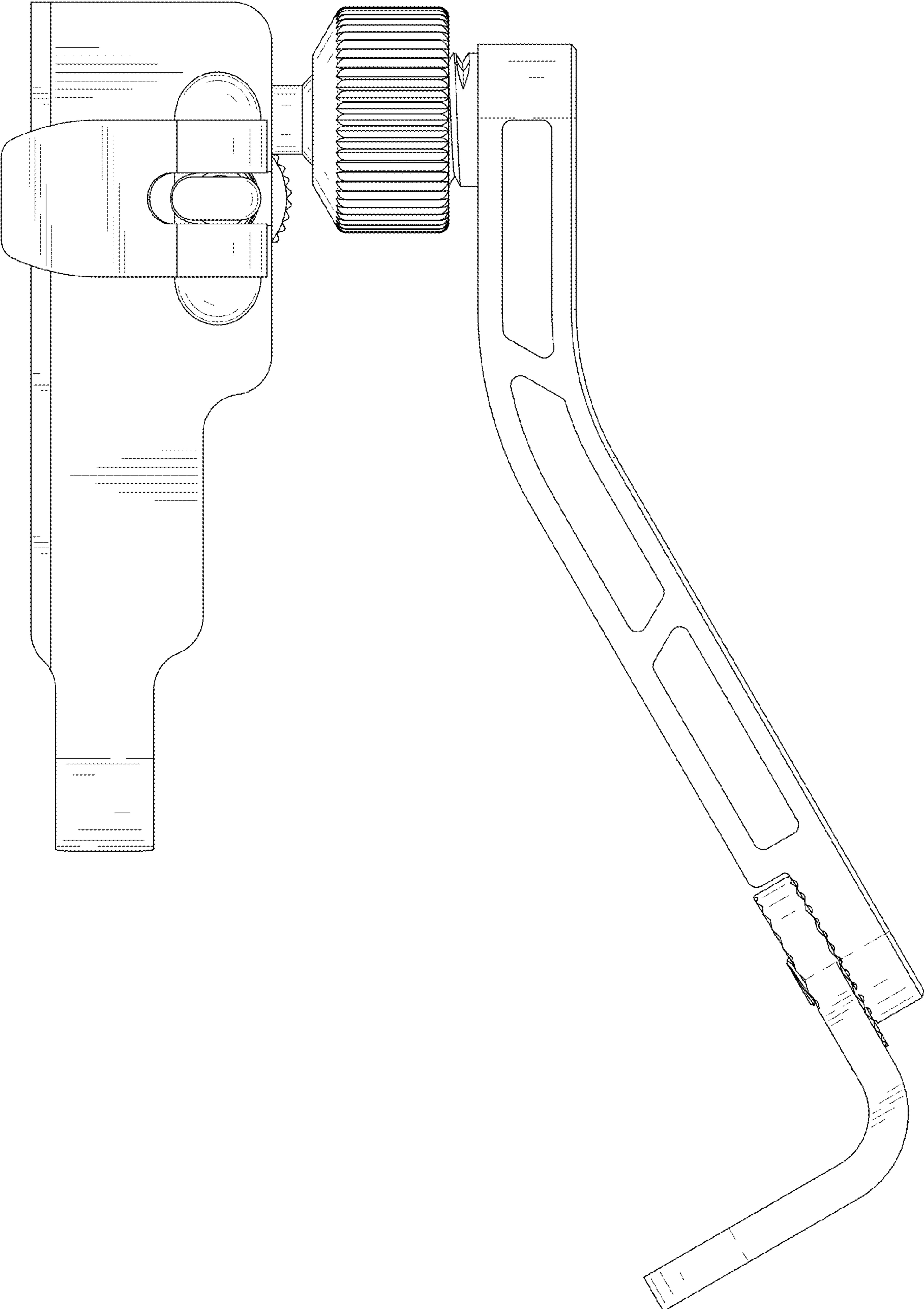


FIG. 6

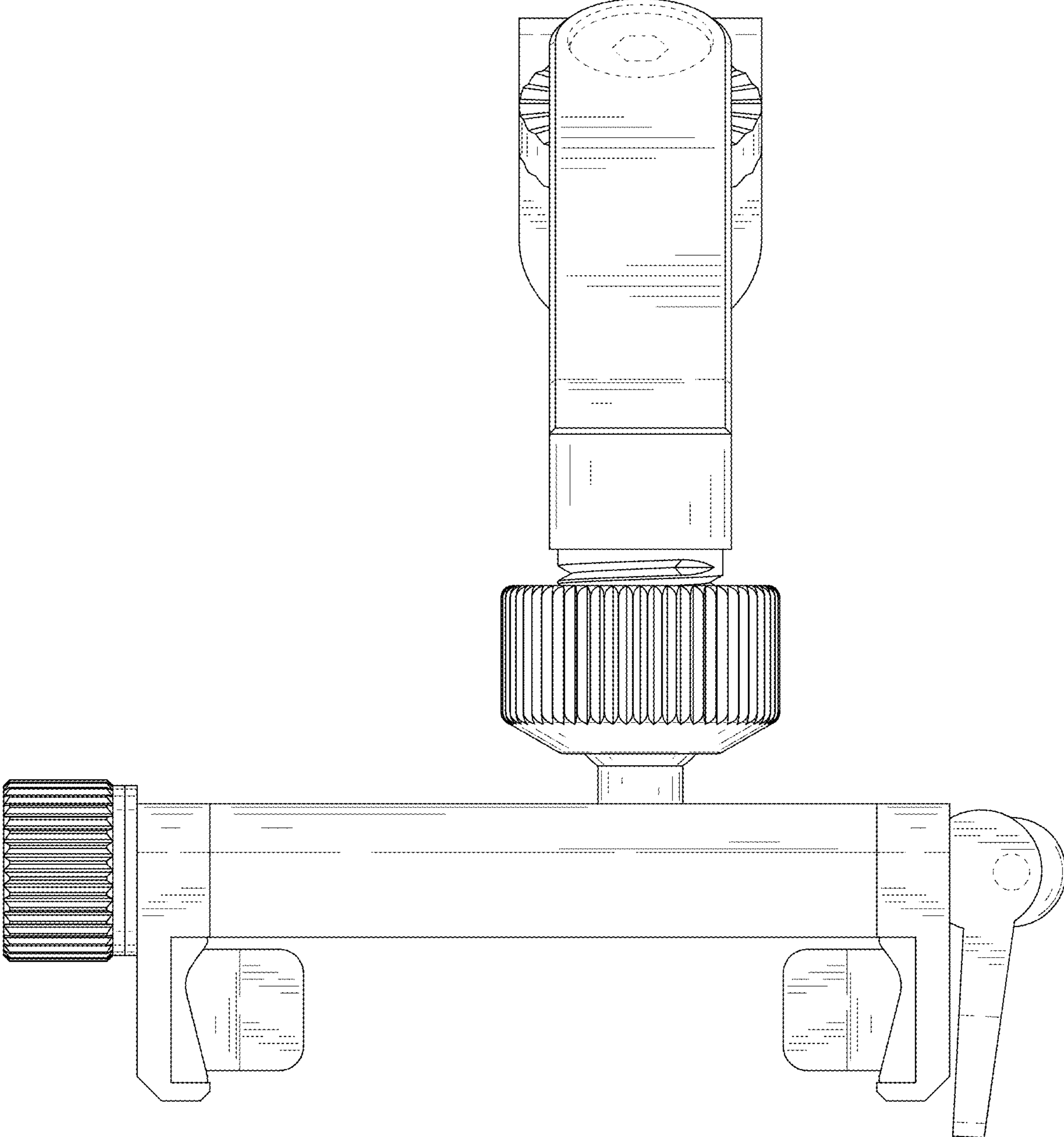


FIG. 7

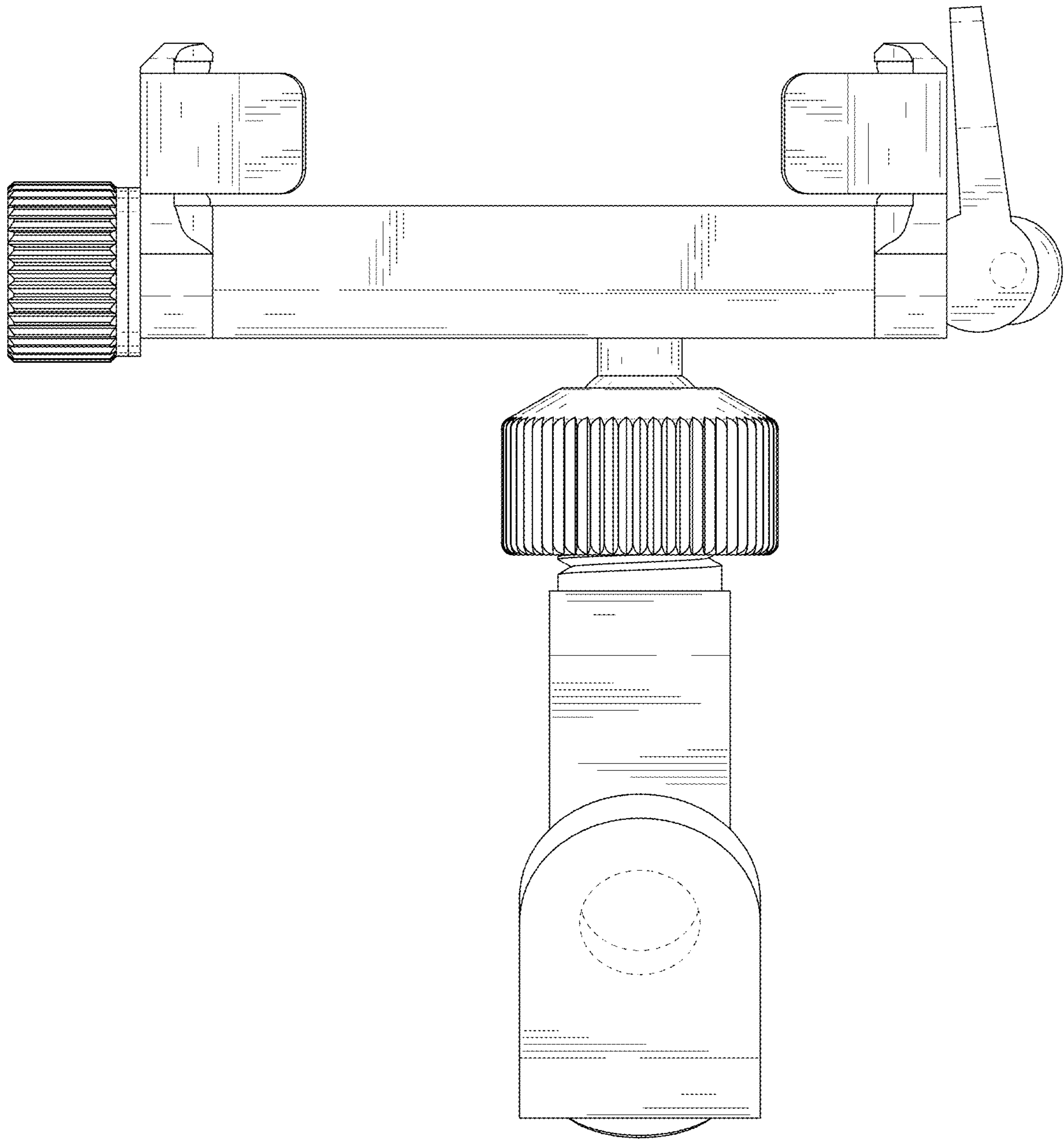


FIG. 8

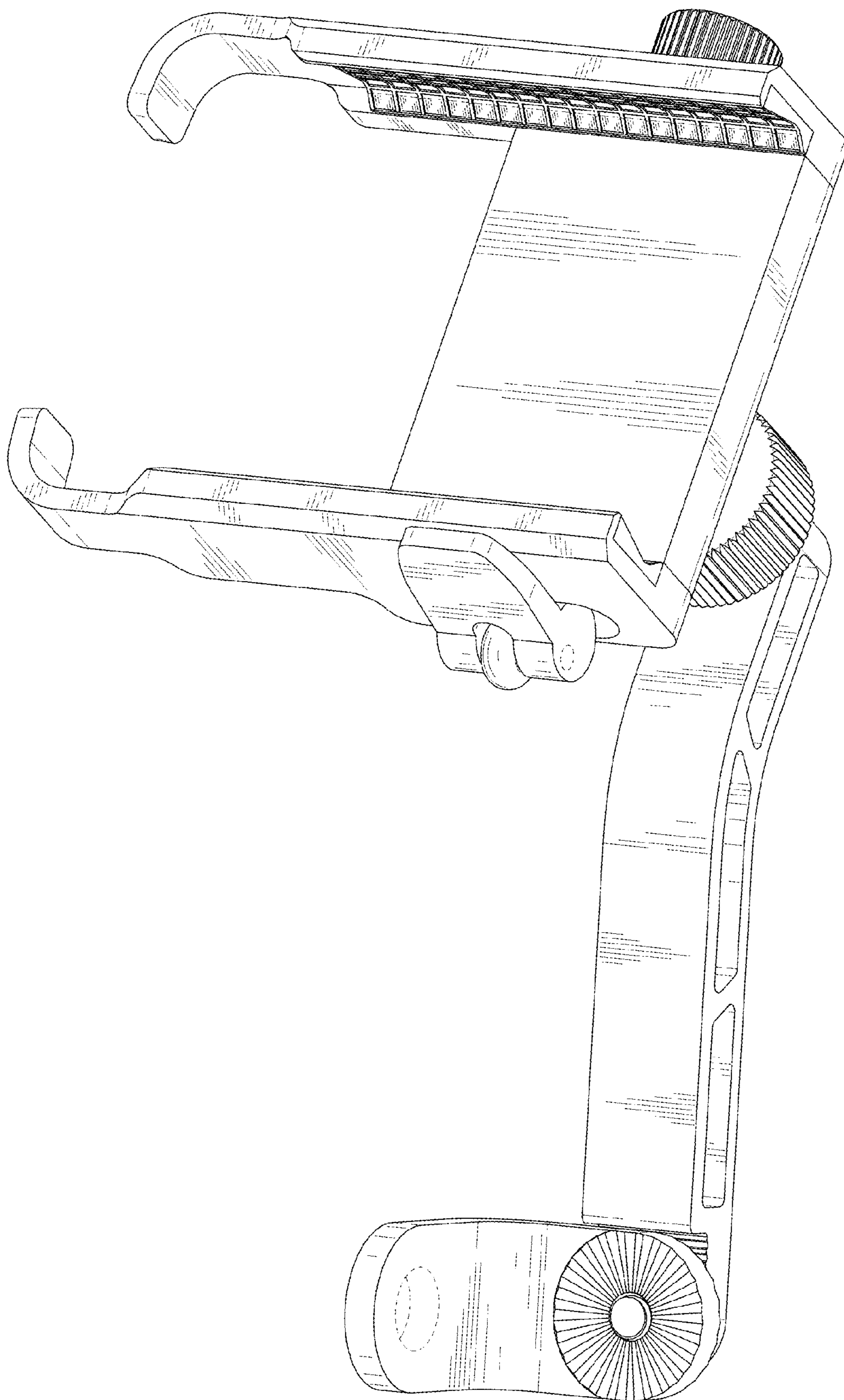


FIG. 9

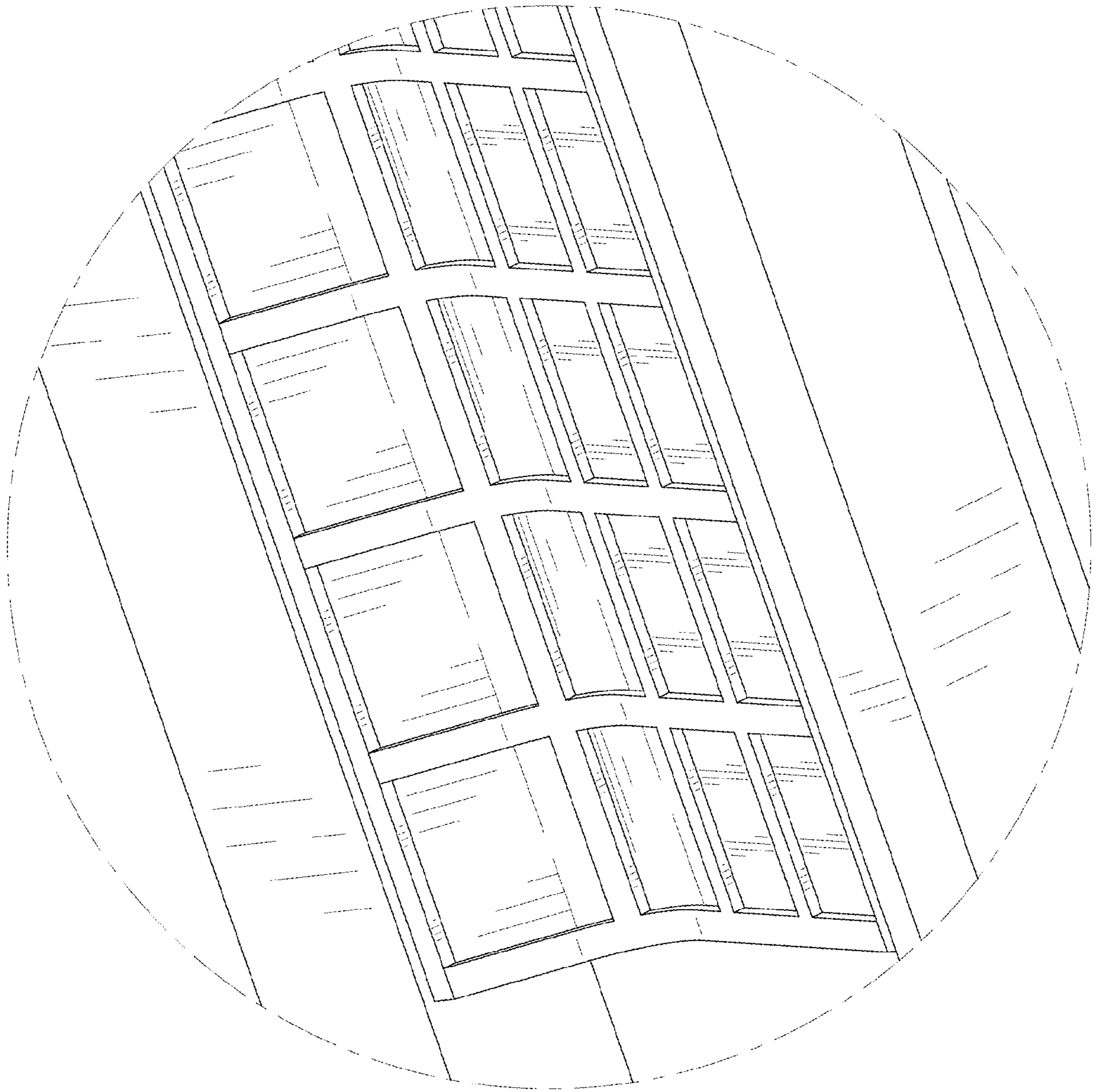


FIG. 10