



US00D977472S

(12) **United States Design Patent**  
**Fan**

(10) **Patent No.:** **US D977,472 S**  
(45) **Date of Patent:** **\*\* Feb. 7, 2023**

(54) **MOBILE PHONE STAND**

(71) Applicant: **TIANJIN YONGLIN TECHNOLOGY CO., LTD.**, Tianjin (CN)

(72) Inventor: **Chao Fan**, Tianjin (CN)

(73) Assignee: **TIANJIN YONGLIN TECHNOLOGY CO., LTD.**, Tianjin (CN)

(\*\*) Term: **15 Years**

(21) Appl. No.: **29/799,078**

(22) Filed: **Jul. 13, 2021**

(51) **LOC (14) Cl.** ..... **14-03**

(52) **U.S. Cl.**  
USPC ..... **D14/253**

(58) **Field of Classification Search**  
USPC ..... D14/250–253, 440, 447; D12/415, 419, D12/114  
CPC ..... B60R 11/0252; H04M 1/04; H04M 1/06; A45F 2200/0516  
See application file for complete search history.

(56) **References Cited**

**U.S. PATENT DOCUMENTS**

D903,652 S \* 12/2020 Qiu ..... D14/253  
D945,410 S \* 3/2022 Tang ..... D14/253

D946,565 S \* 3/2022 Liu ..... D3/218  
D949,841 S \* 4/2022 Qiu ..... D12/407  
D949,842 S \* 4/2022 Qiu ..... D12/407  
D963,636 S \* 9/2022 Gan ..... D14/253

\* cited by examiner

*Primary Examiner* — Janice Hallmark

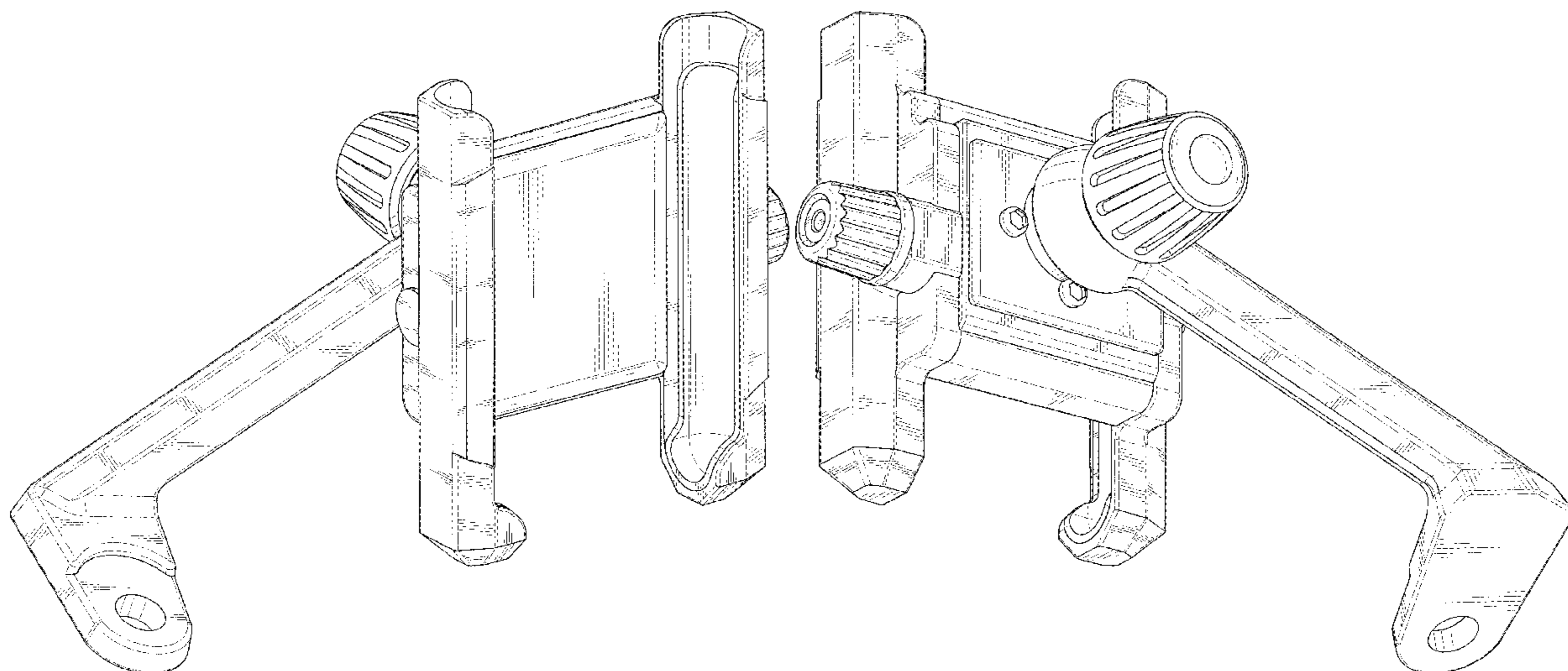
(57) **CLAIM**

The ornamental design for a mobile phone stand, as shown and described.

**DESCRIPTION**

FIG. 1 is a perspective view of a mobile phone stand showing my new design;  
FIG. 2 is another perspective view thereof;  
FIG. 3 is a front elevational view thereof;  
FIG. 4 is a rear elevational view thereof;  
FIG. 5 is a left side elevational view thereof;  
FIG. 6 is a right side elevational view thereof;  
FIG. 7 is a top plan view thereof; and,  
FIG. 8 is a bottom plan view thereof.  
The broken lines in the drawings depict portions of the mobile phone stand that form no part of the claimed design.

**1 Claim, 8 Drawing Sheets**



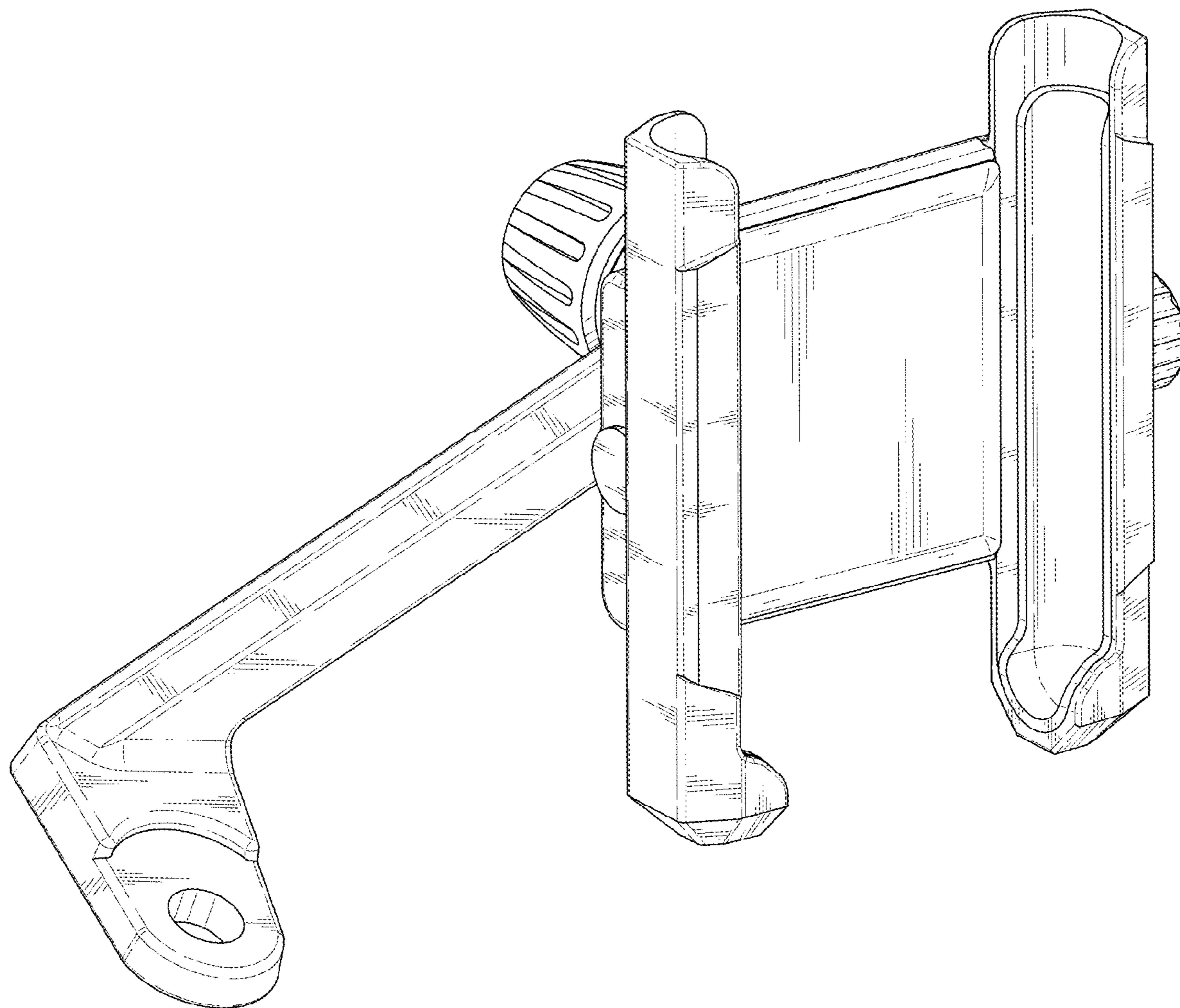


FIG. 1

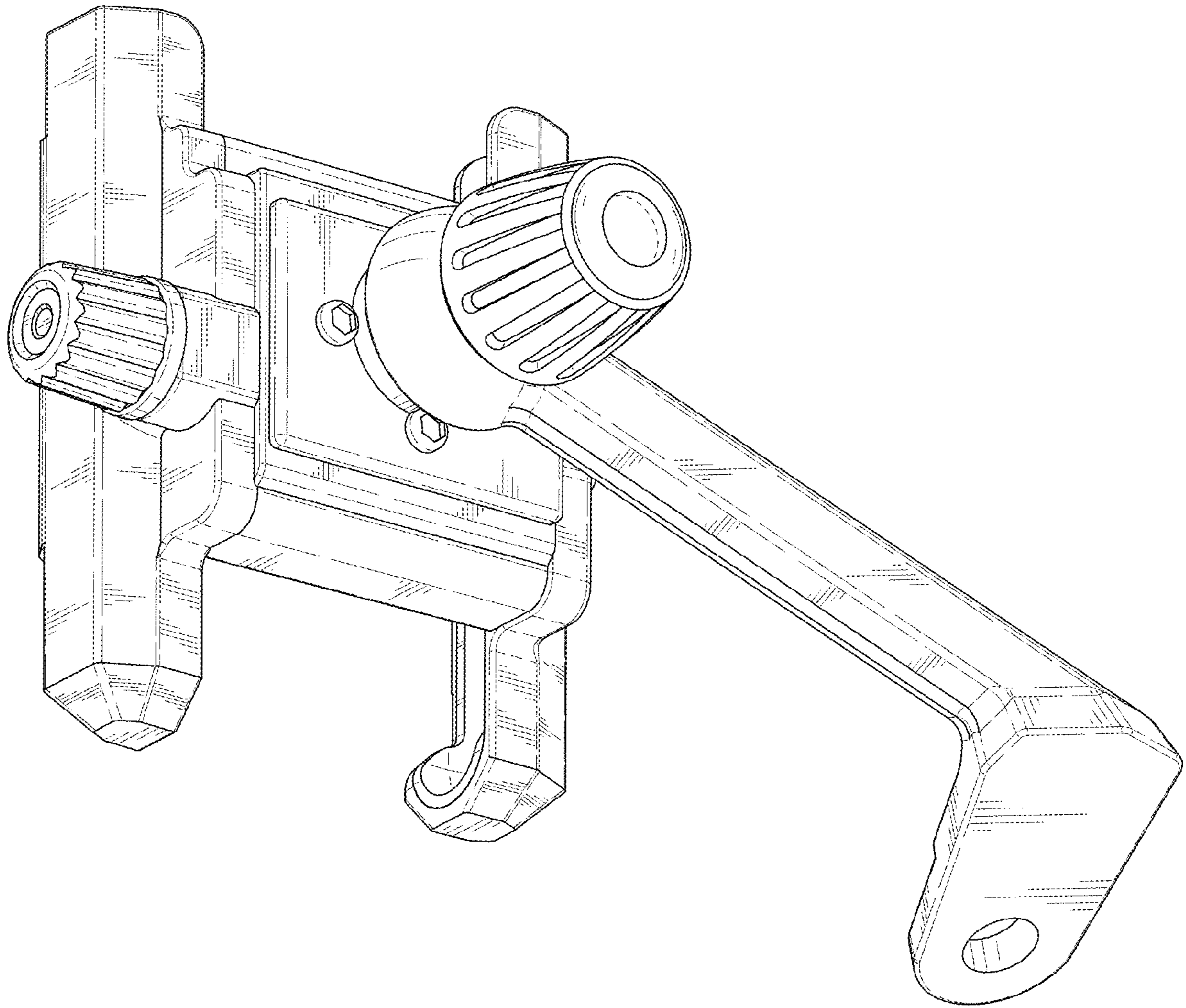


FIG. 2

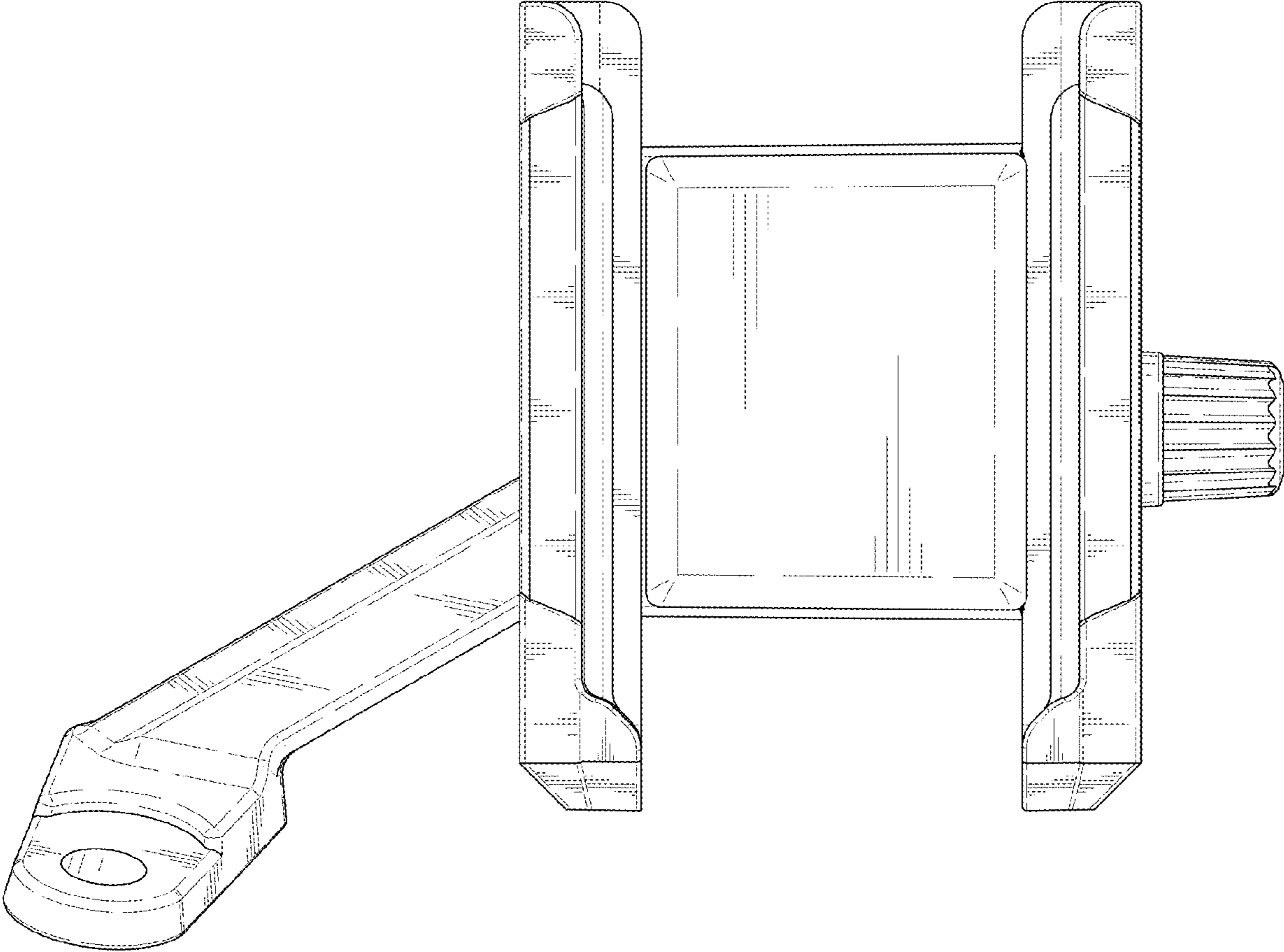


FIG. 3

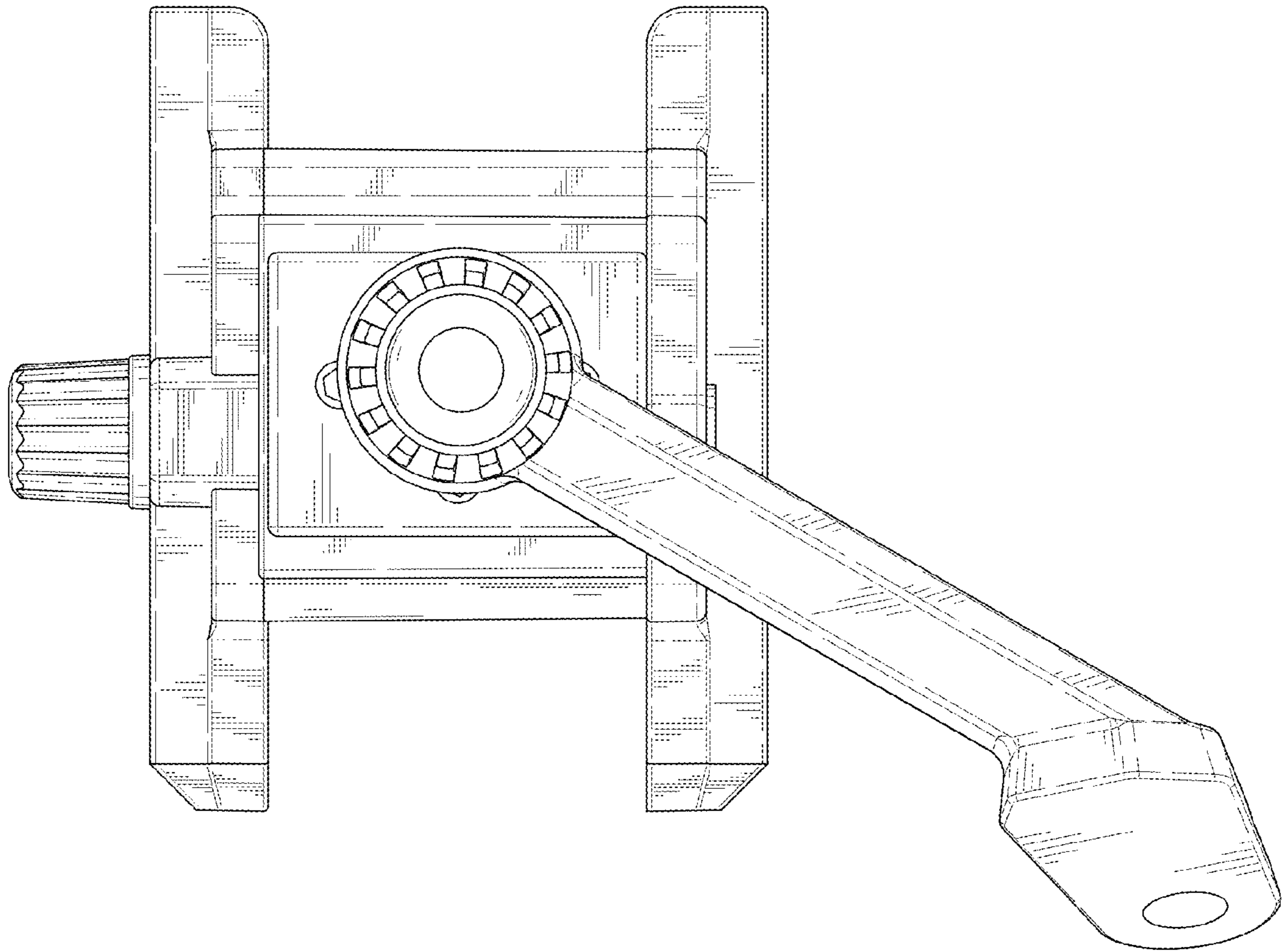


FIG. 4

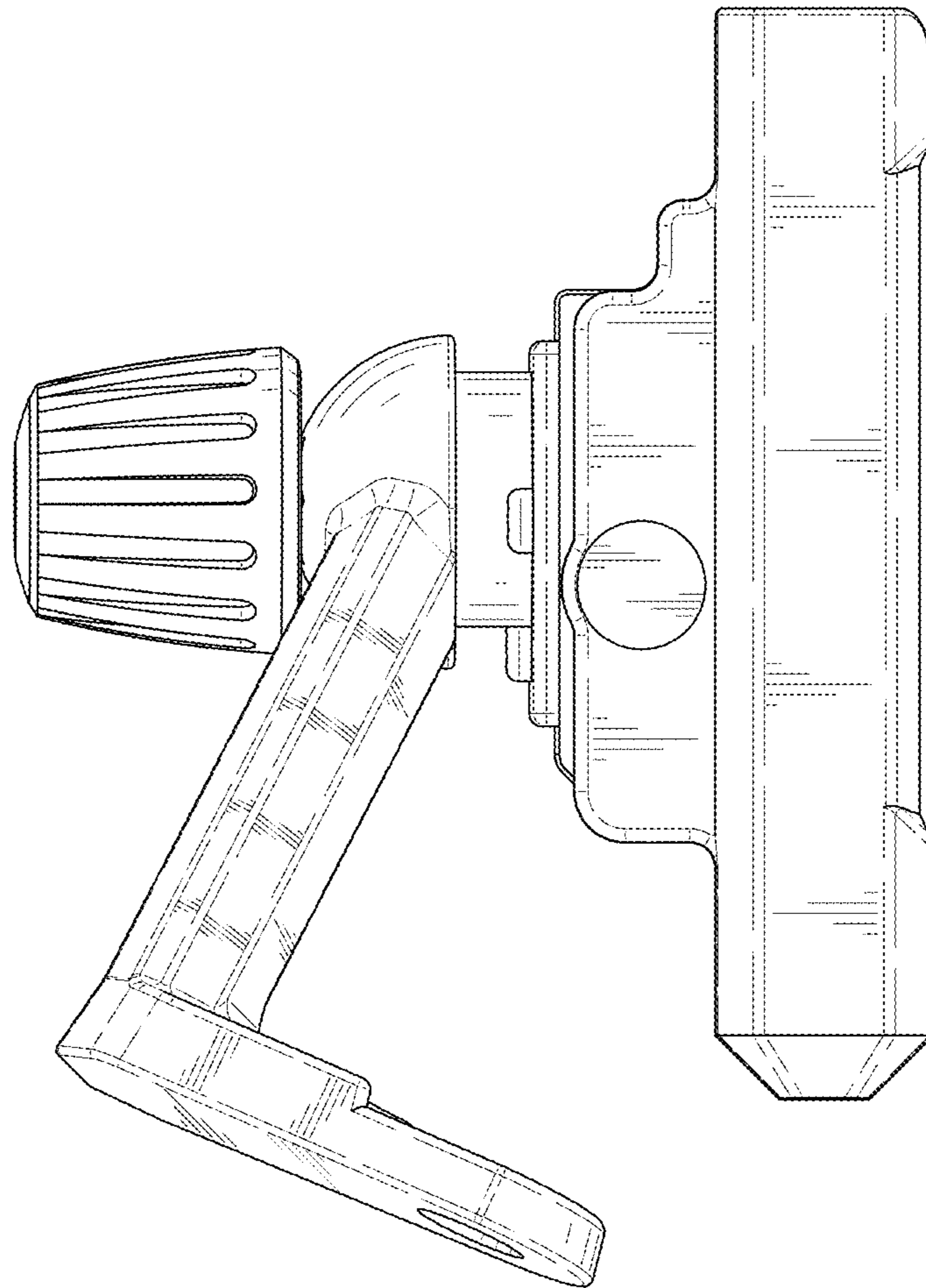


FIG. 5

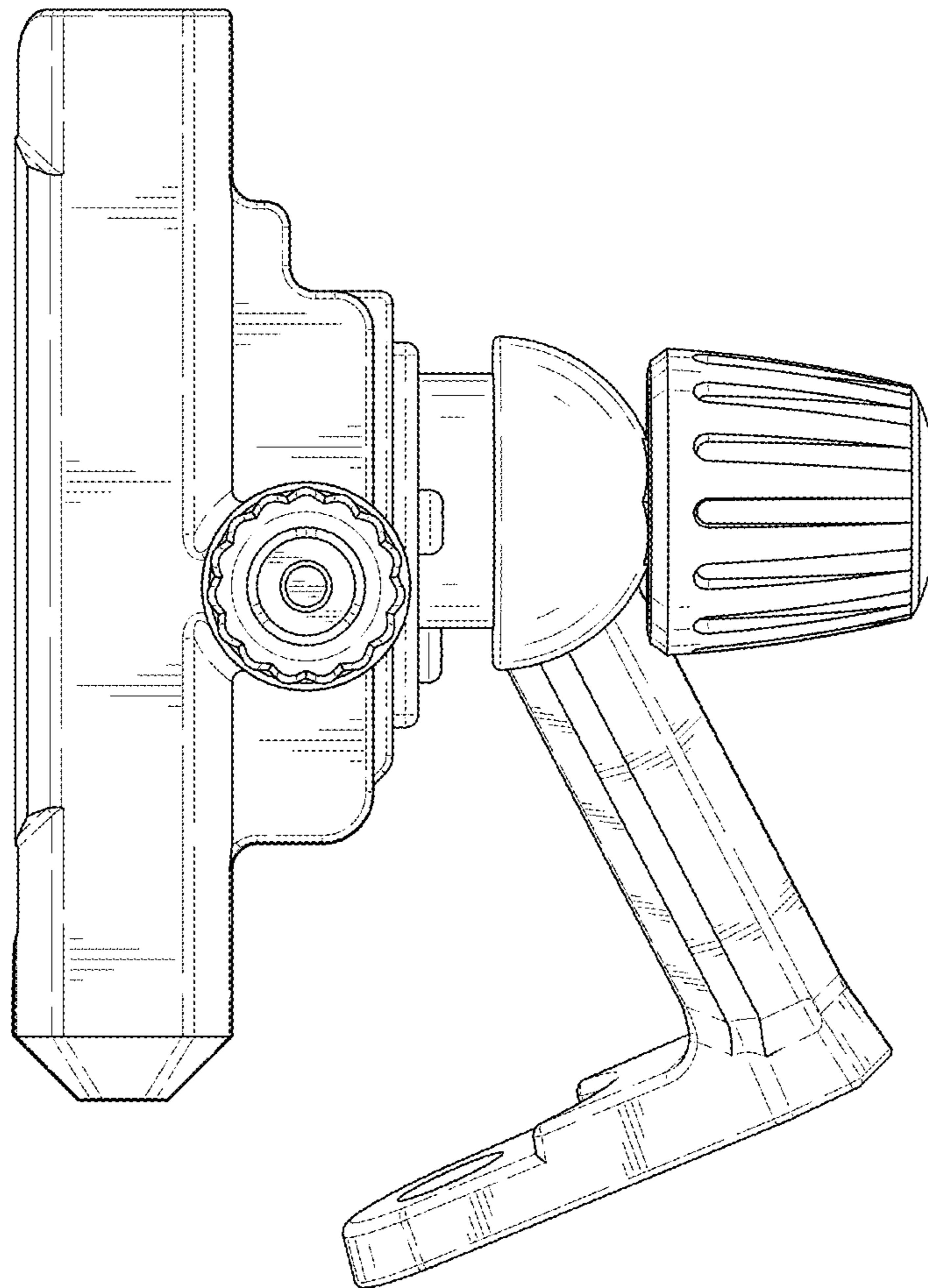


FIG. 6

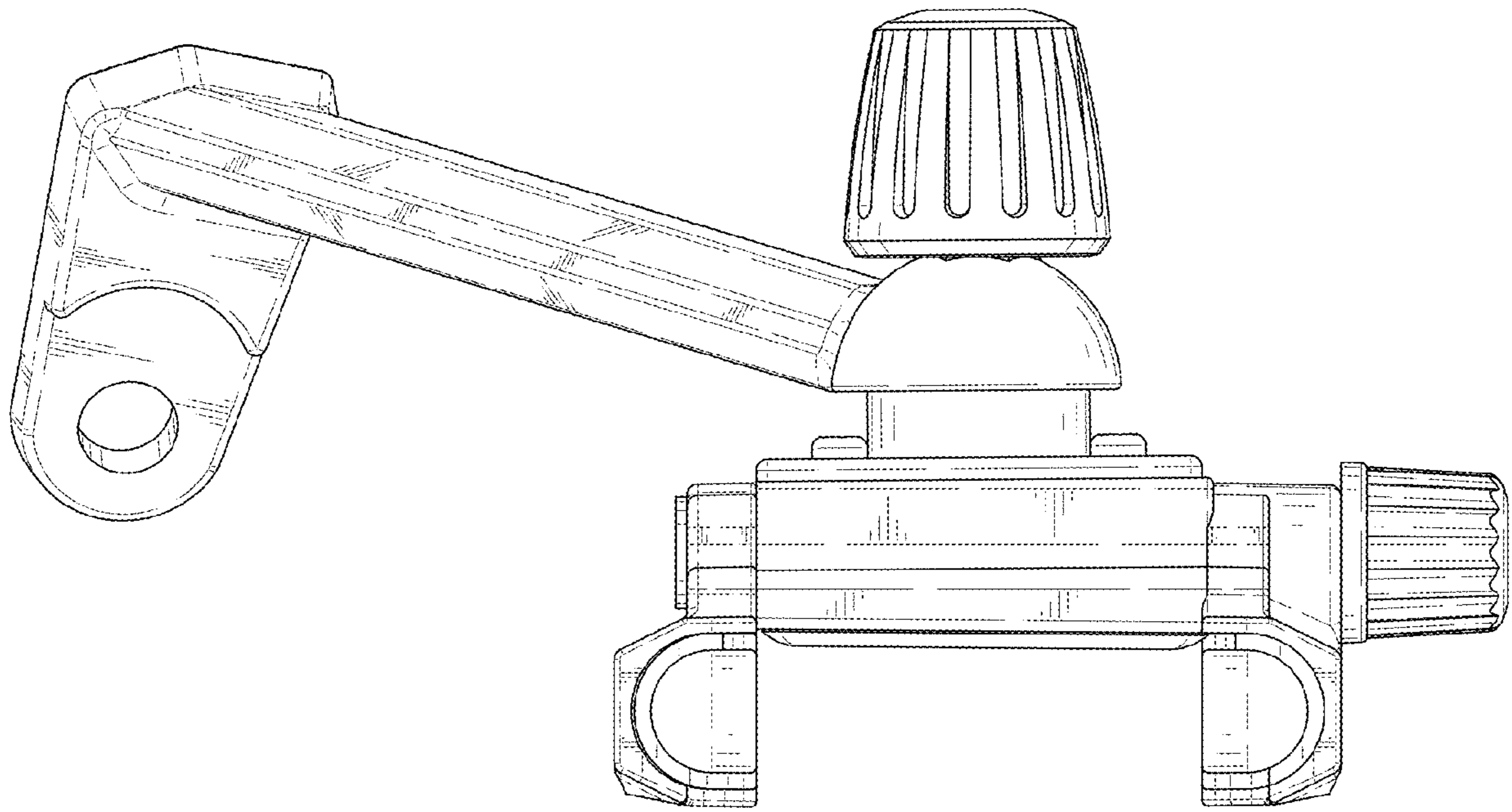


FIG. 7



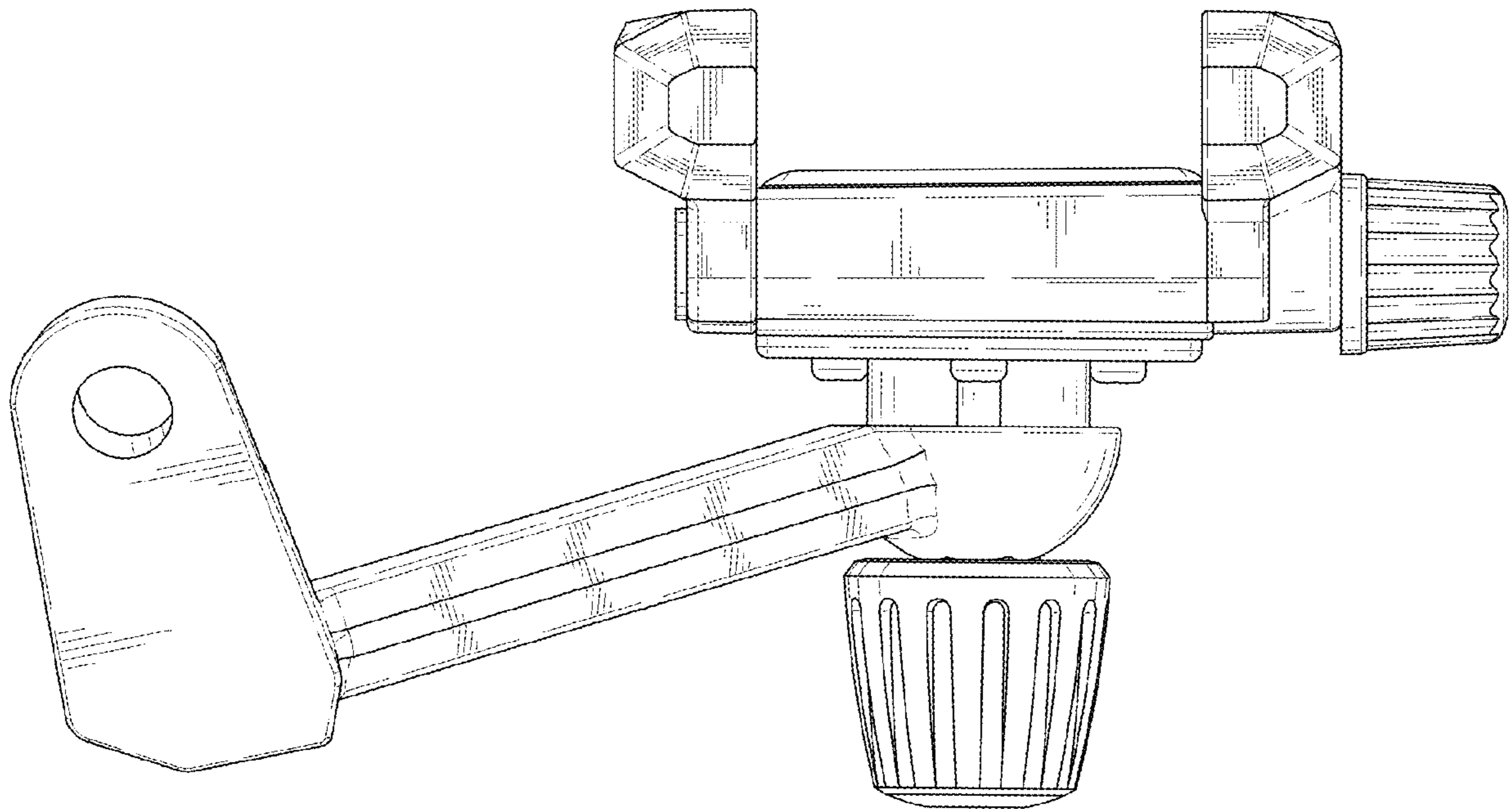


FIG. 8