



US00D977470S

(12) **United States Design Patent**  
**Mizrahi et al.**

(10) **Patent No.:** **US D977,470 S**  
(45) **Date of Patent:** **\*\* Feb. 7, 2023**

(54) **EXPANDABLE ELECTRONIC DEVICE ACCESSORY**

D784,978 S \* 4/2017 Hobbs ..... D14/253  
D794,607 S \* 8/2017 Srour ..... D14/217  
D799,468 S \* 10/2017 Chen ..... D14/253

(71) Applicant: **Bytech IP Holdings, LLC**, Brooklyn, NY (US)

(Continued)

*Primary Examiner* — Rebekah A Caruso

(72) Inventors: **Victor Mizrahi**, Brooklyn, NY (US);  
**Solomon Mizrahi**, Brooklyn, NY (US);  
**Eli Mizrahi**, Brooklyn, NY (US);  
**Daniel Mizrahi**, Brooklyn, NY (US)

(57) **CLAIM**

The ornamental design for an expandable electronic device accessory, as shown and described.

(73) Assignee: **Bytech IP Holdings, LLC**, Brooklyn, NY (US)

**DESCRIPTION**

(\*\*) Term: **15 Years**

FIG. 1 is a top plan view of a first embodiment of an expandable electronic device accessory showing our new design;

(21) Appl. No.: **29/736,694**

FIG. 2 is a bottom plan view thereof;

(22) Filed: **Jun. 2, 2020**

FIG. 3 is a bottom perspective view thereof, with the bottom surface of the accessory visible at the top of the figure;

(51) **LOC (14) Cl.** ..... **14-99**

FIG. 4 is a right side view thereof, which is a mirror image of a left side view thereof;

(52) **U.S. Cl.**

USPC ..... **D14/253**

FIG. 5 is a front plan view thereof, which is a mirror image of a rear plan view thereof; and

(58) **Field of Classification Search**

USPC .... D14/251–253, 224, 224.1, 432–434, 447, D14/451, 452; D12/415, 426.1, 223, 406, D12/407; D16/242, 244, 245; D3/218; D13/108; D8/310

FIG. 6 is a top perspective view thereof, with the top surface of the accessory visible at the top of the figure.

CPC ..... B60R 11/00; B60R 11/02; B60R 11/0241; B60R 11/0252; B60R 2011/0003; B60R 2011/0005; B60R 2011/0008; H04M 1/04; F16M 11/00; F16M 11/04; F16M 11/041; F16M 11/06

FIG. 7 is a top plan view of a second embodiment of an expandable electronic device accessory showing our new design;

See application file for complete search history.

FIG. 8 is a bottom plan view thereof;

(56) **References Cited**

**U.S. PATENT DOCUMENTS**

D176,713 S \* 1/1956 Ellis ..... D8/310  
D613,291 S \* 4/2010 Carver ..... D14/432  
D653,521 S \* 2/2012 Wike ..... D8/310  
8,560,031 B2 \* 10/2013 Barnett ..... F16M 13/00  
455/575.8

FIG. 9 is a bottom perspective view thereof, with the bottom surface of the accessory visible at the top of the figure;

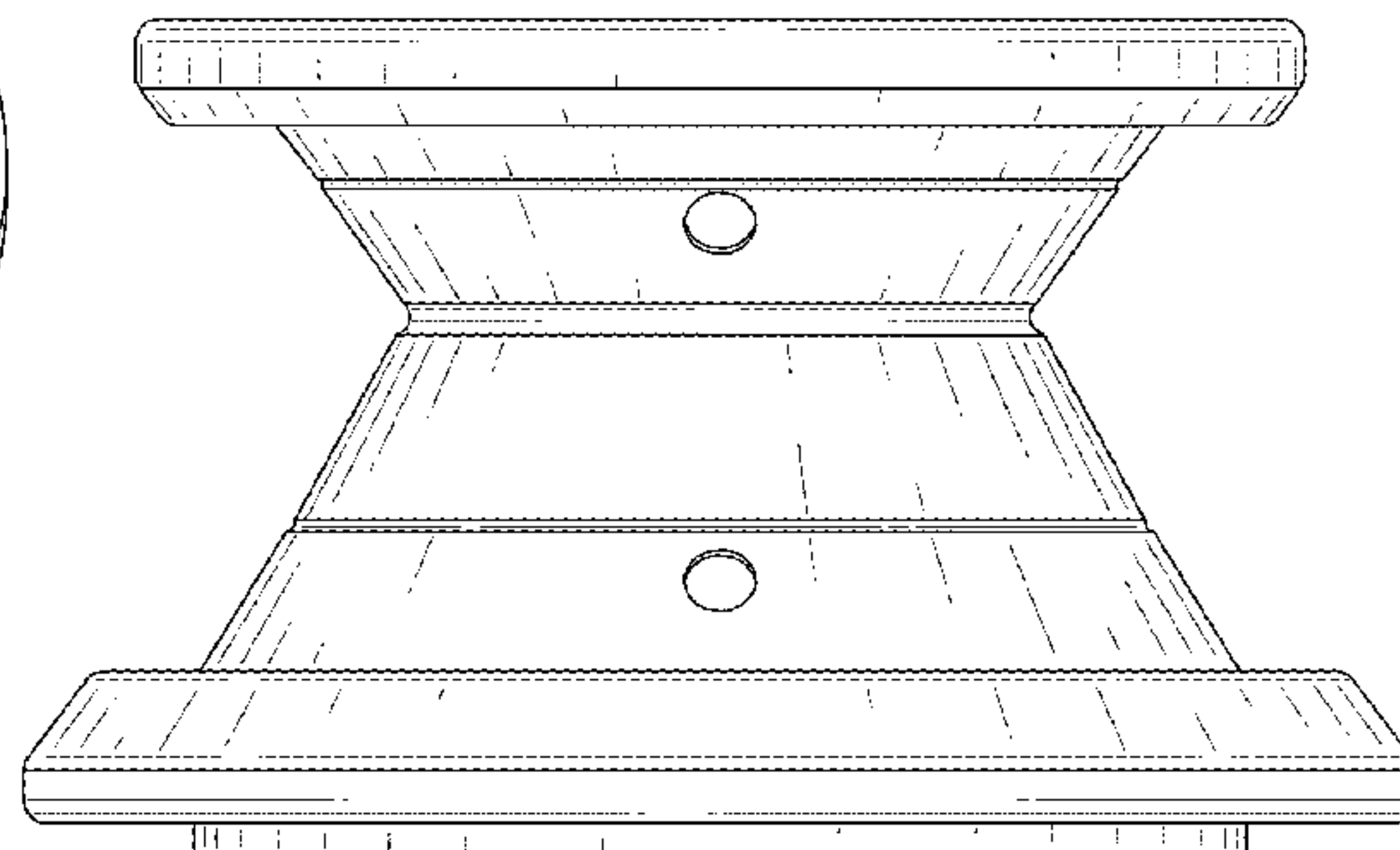
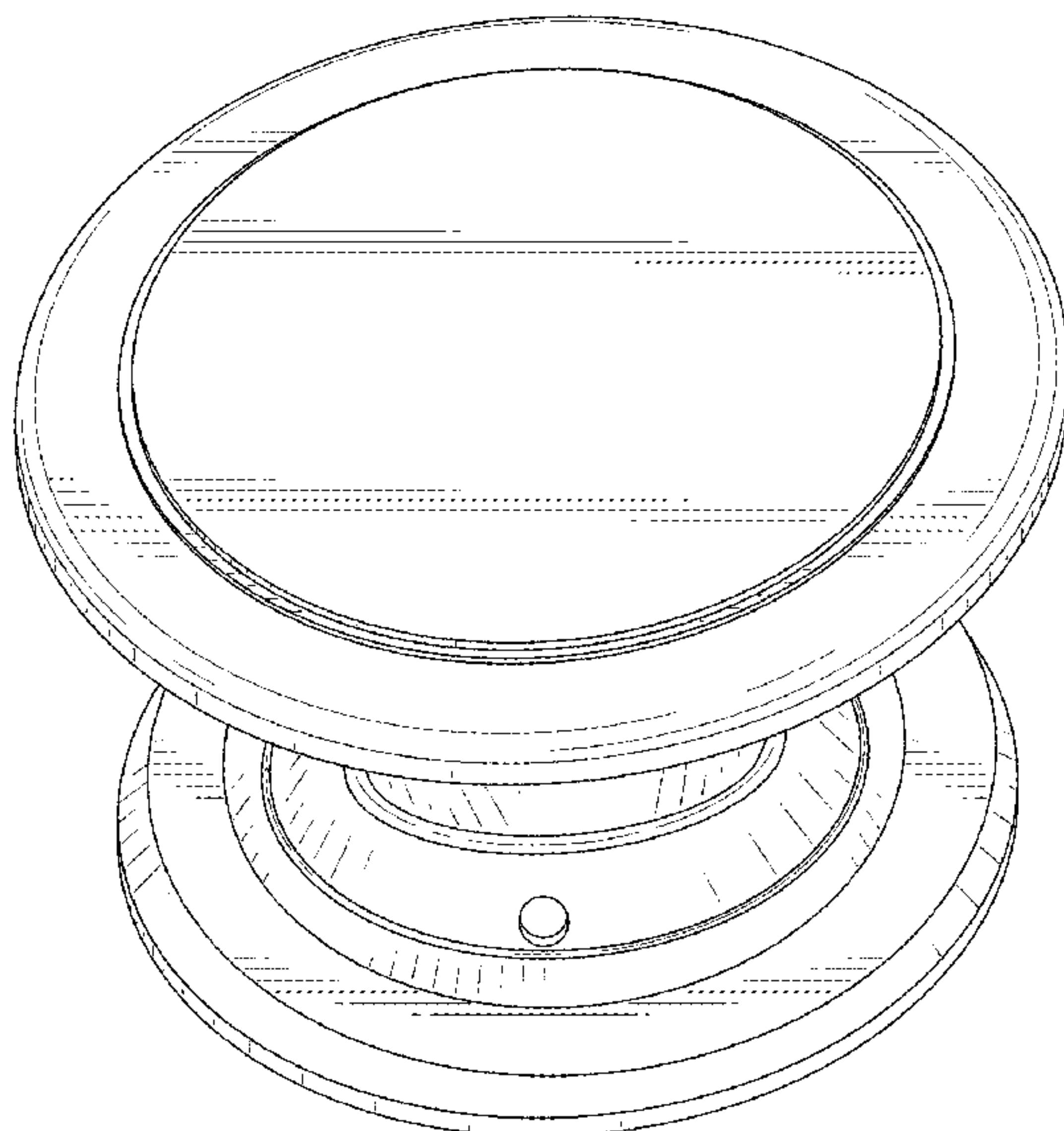
FIG. 10 is a right side view thereof, which is a mirror image of a left side view thereof;

FIG. 11 is a front plan view thereof, which is a mirror image of a rear plan view thereof; and

FIG. 12 is a top perspective view thereof, with the top surface of the accessory visible at the top of the figure.

It is noted that any broken line illustration of environmental structure in the drawings is not part of the design sought to be patented.

**1 Claim, 12 Drawing Sheets**



(56)

**References Cited**

U.S. PATENT DOCUMENTS

D835,091	S *	12/2018	Torrance	.....	D14/253
D847,805	S *	5/2019	Lederer	.....	D14/250
D861,003	S *	9/2019	Vogel	.....	D14/447
D879,087	S *	3/2020	Webb	.....	D14/253
10,694,835	B2 *	6/2020	Peterson	.....	A45C 11/00
10,750,844	B2 *	8/2020	Peterson	.....	A45C 11/00
10,962,169	B1 *	3/2021	White	.....	F16M 11/38
D919,963	S *	5/2021	Fabec	.....	D3/218
2012/0118770	A1 *	5/2012	Valls	.....	F16M 13/04
					206/320
2018/0004250	A1 *	1/2018	Barnett	.....	H01R 13/6315
2018/0288204	A1 *	10/2018	Nahum	.....	H04M 1/04
2019/0140682	A1 *	5/2019	Barnett	.....	H04B 1/3877
2019/0208871	A1 *	7/2019	Barnett	.....	A45F 5/00
2019/0215391	A1 *	7/2019	Chiang	.....	F16M 13/022
2019/0245960	A1 *	8/2019	Nahum	.....	F16M 11/046
2020/0217449	A1 *	7/2020	Barnett	.....	H04M 1/04
2022/0166455	A1 *	5/2022	Kim	.....	H04M 1/04

\* cited by examiner

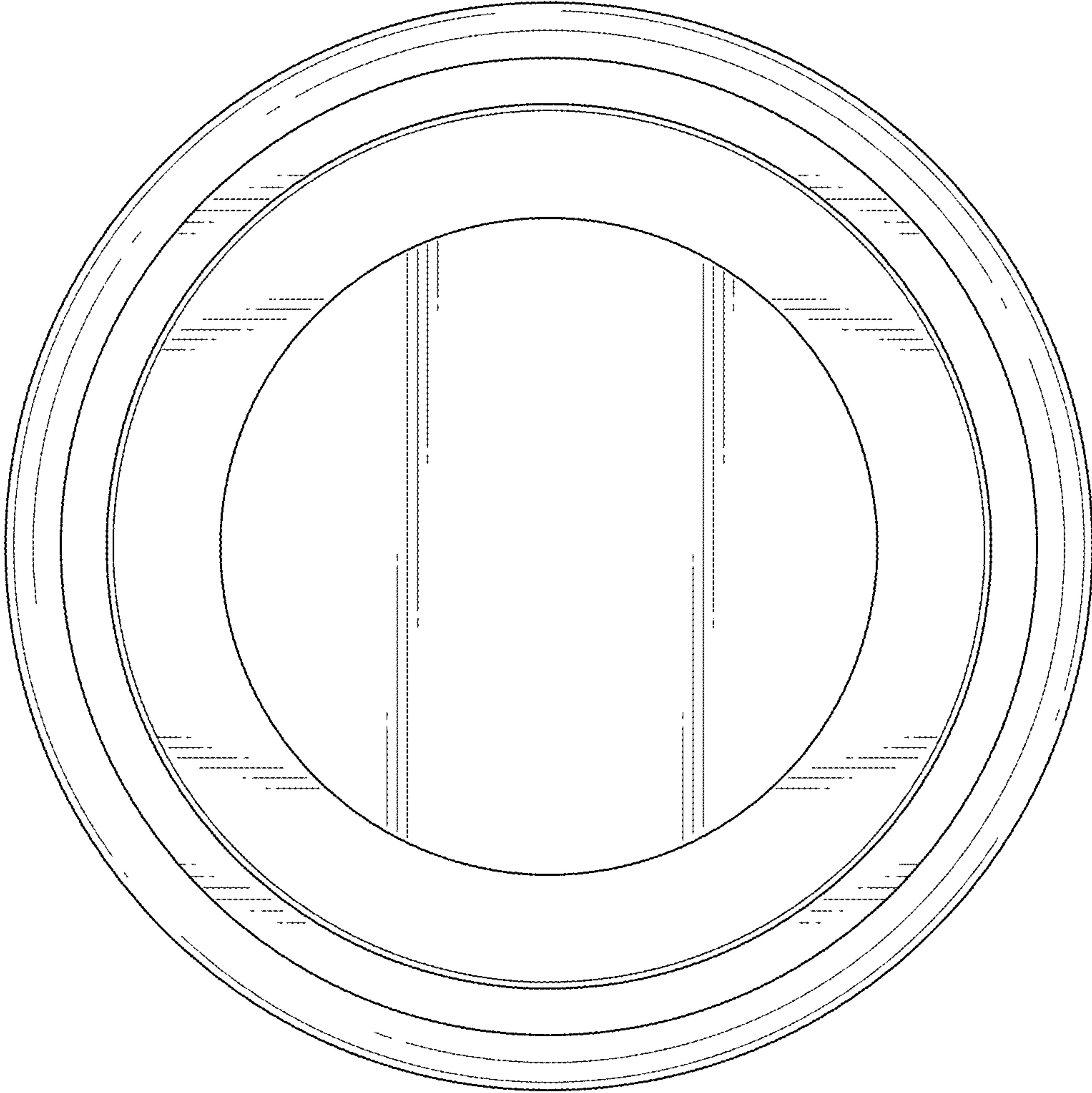


FIG. 1

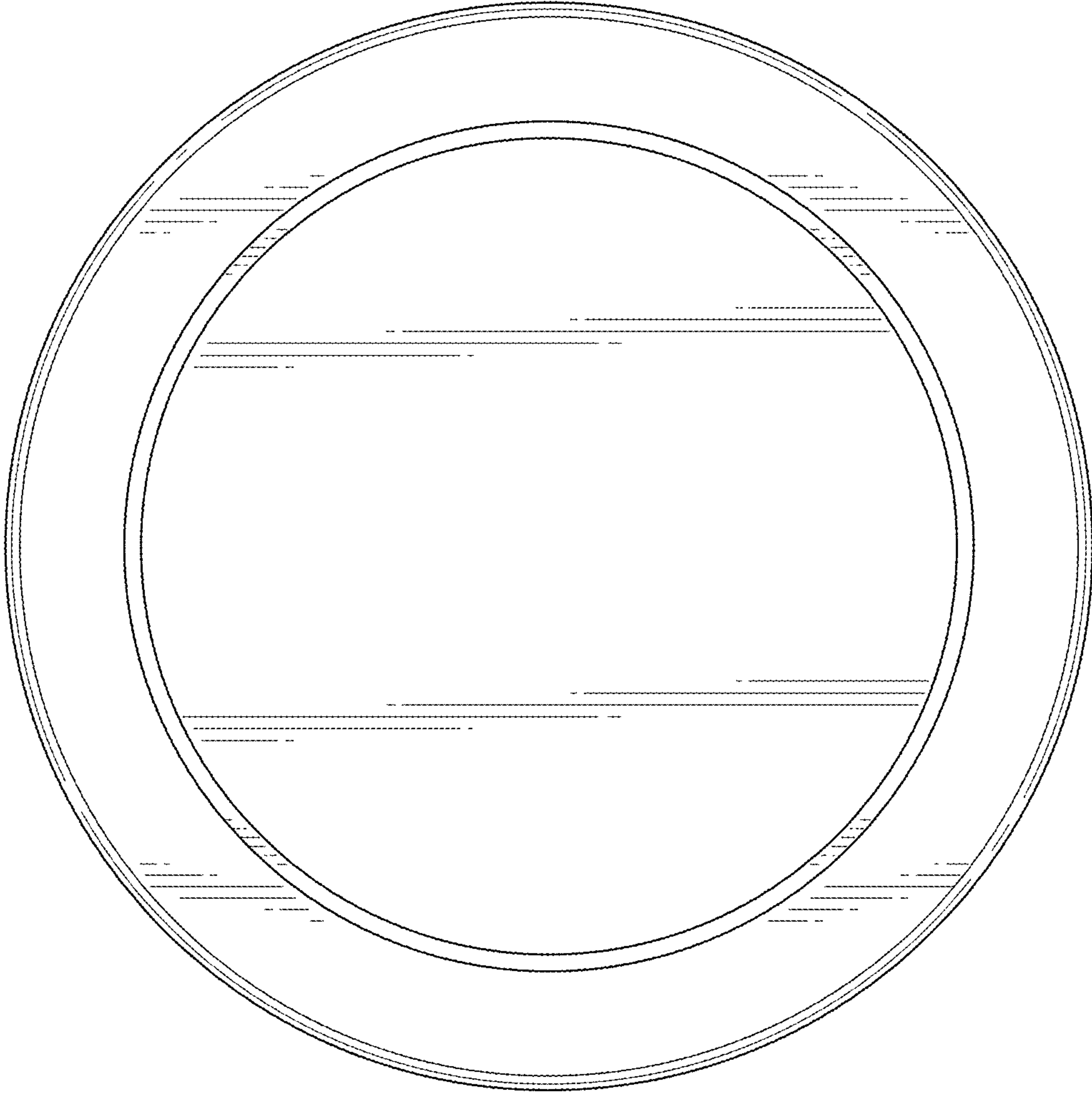


FIG. 2



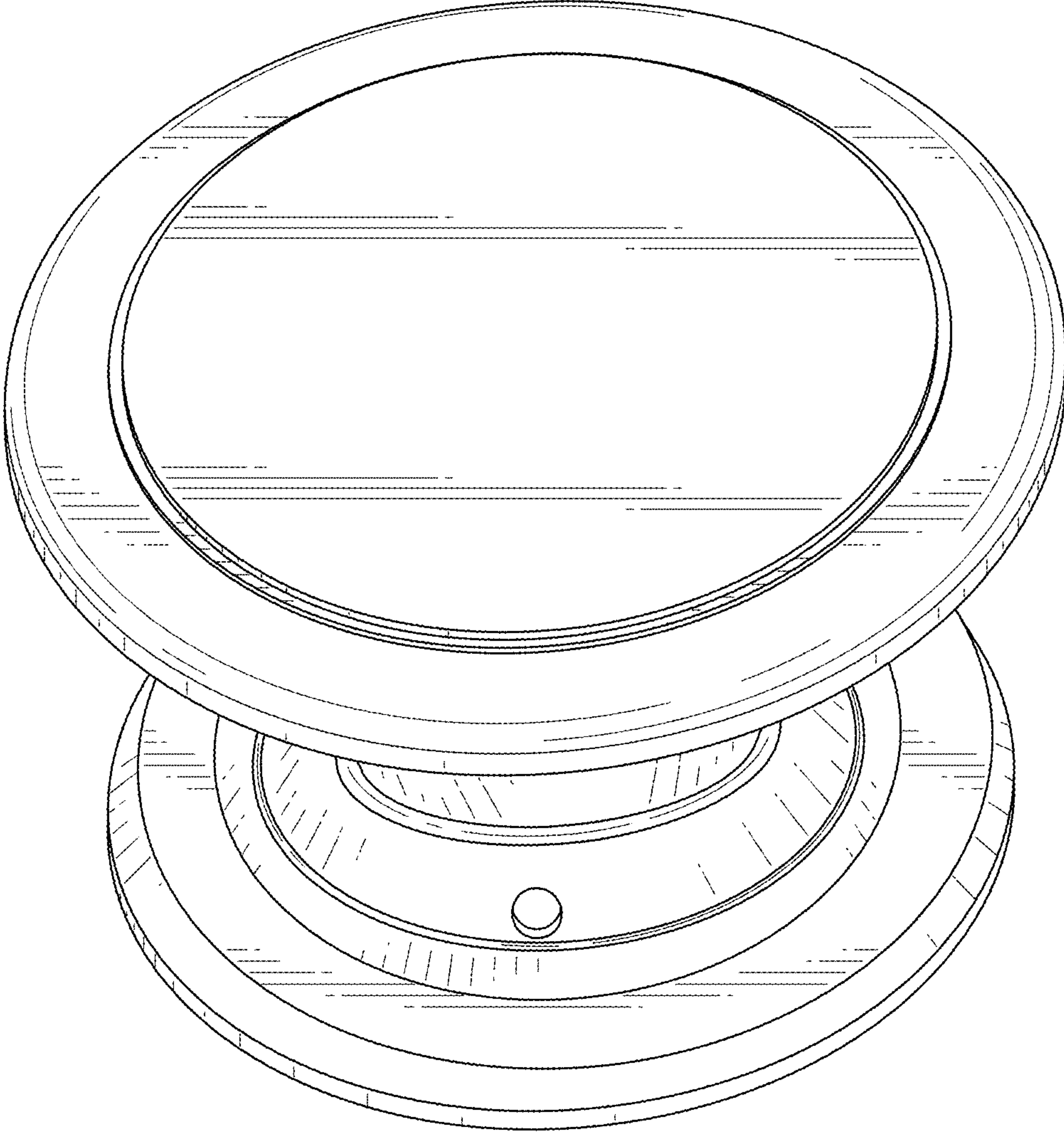


FIG. 3

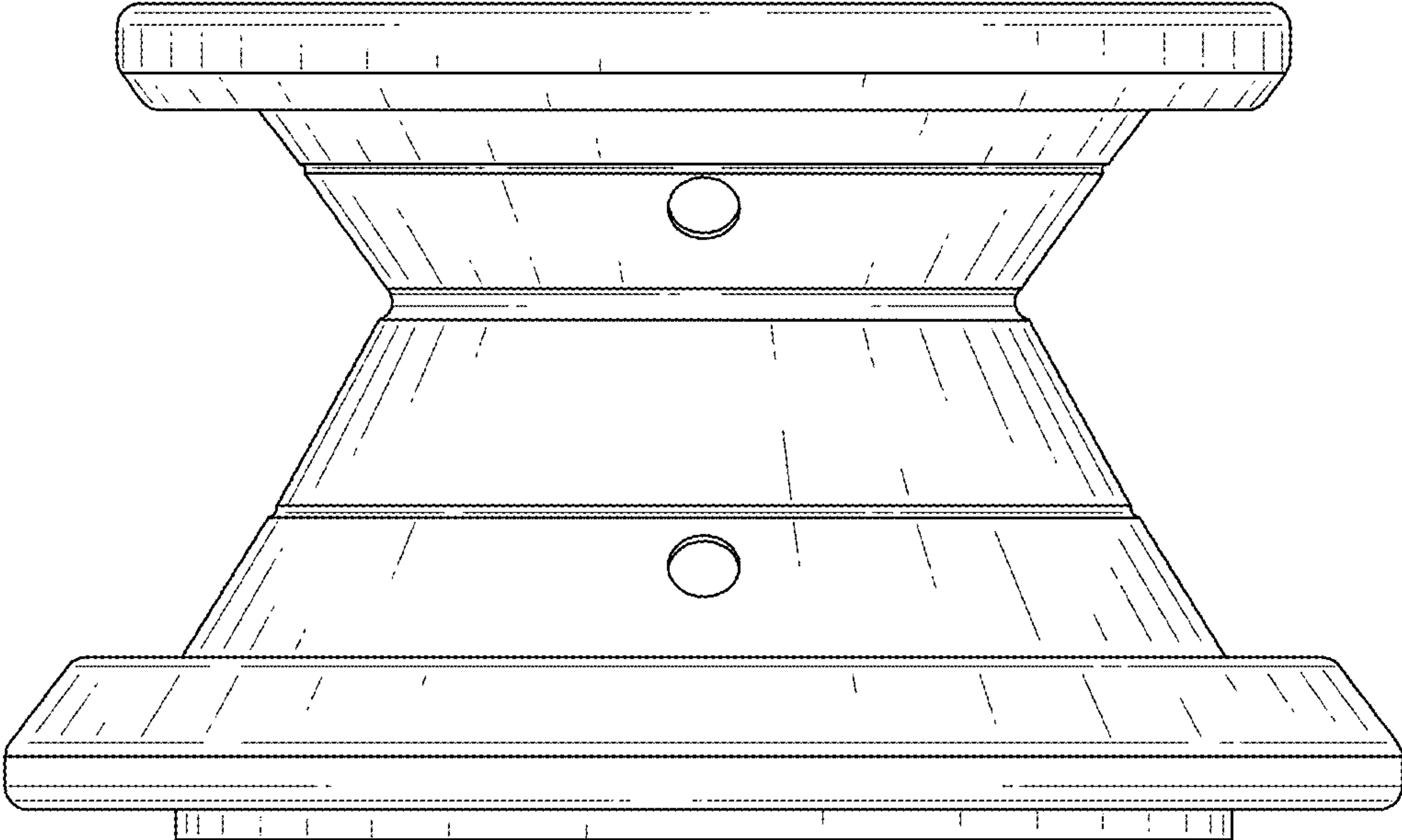


FIG. 4

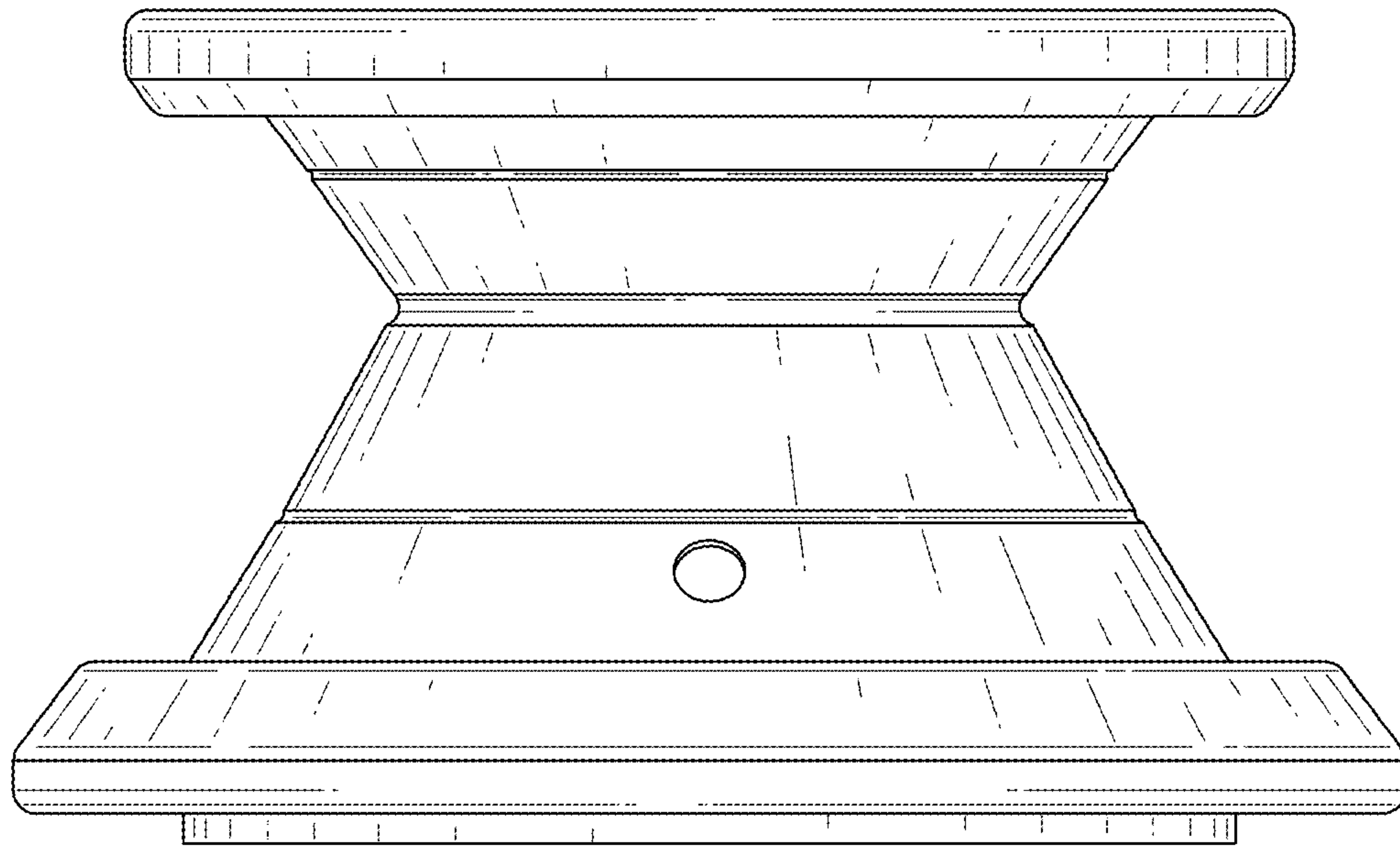


FIG. 5

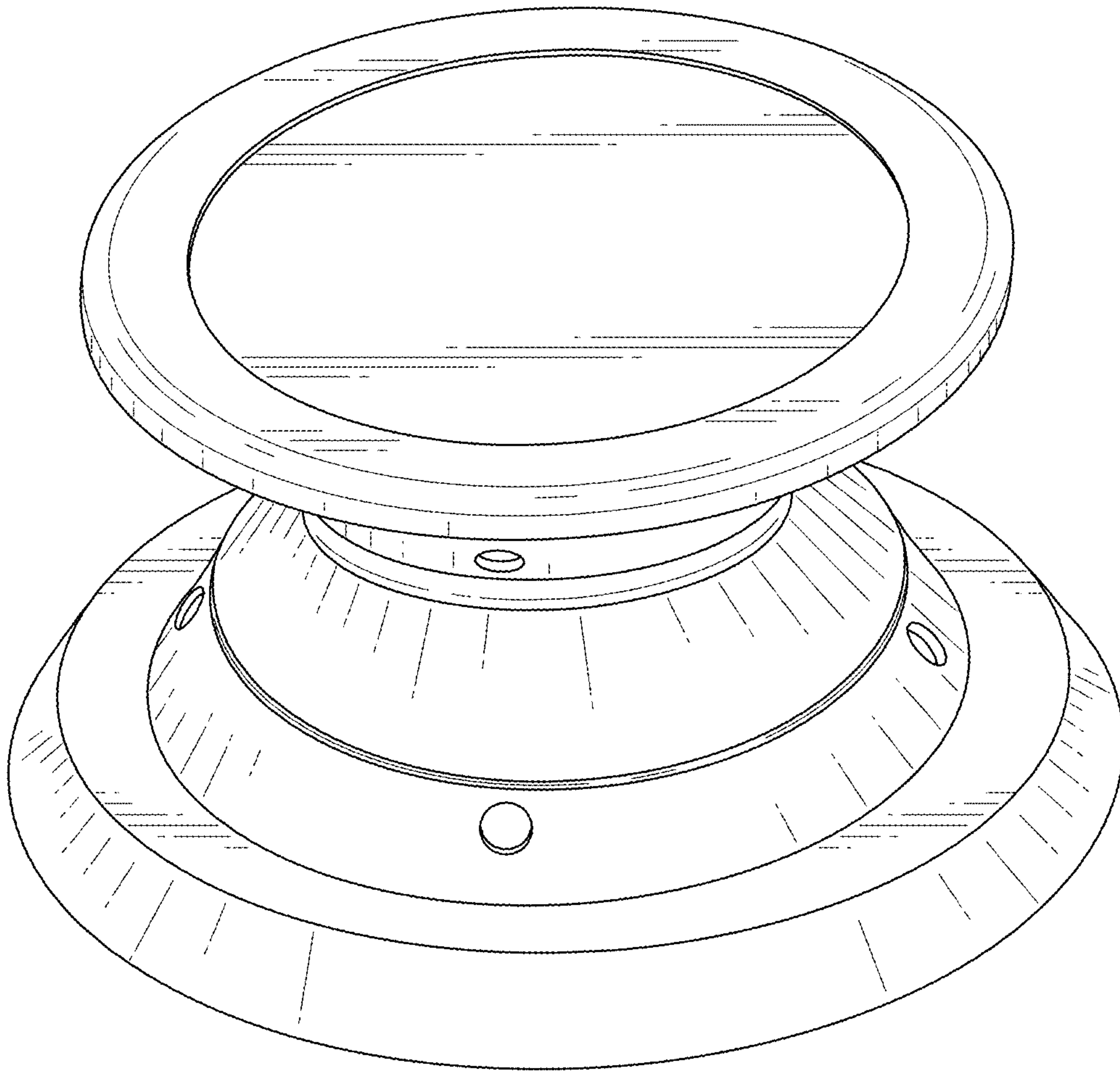


FIG. 6



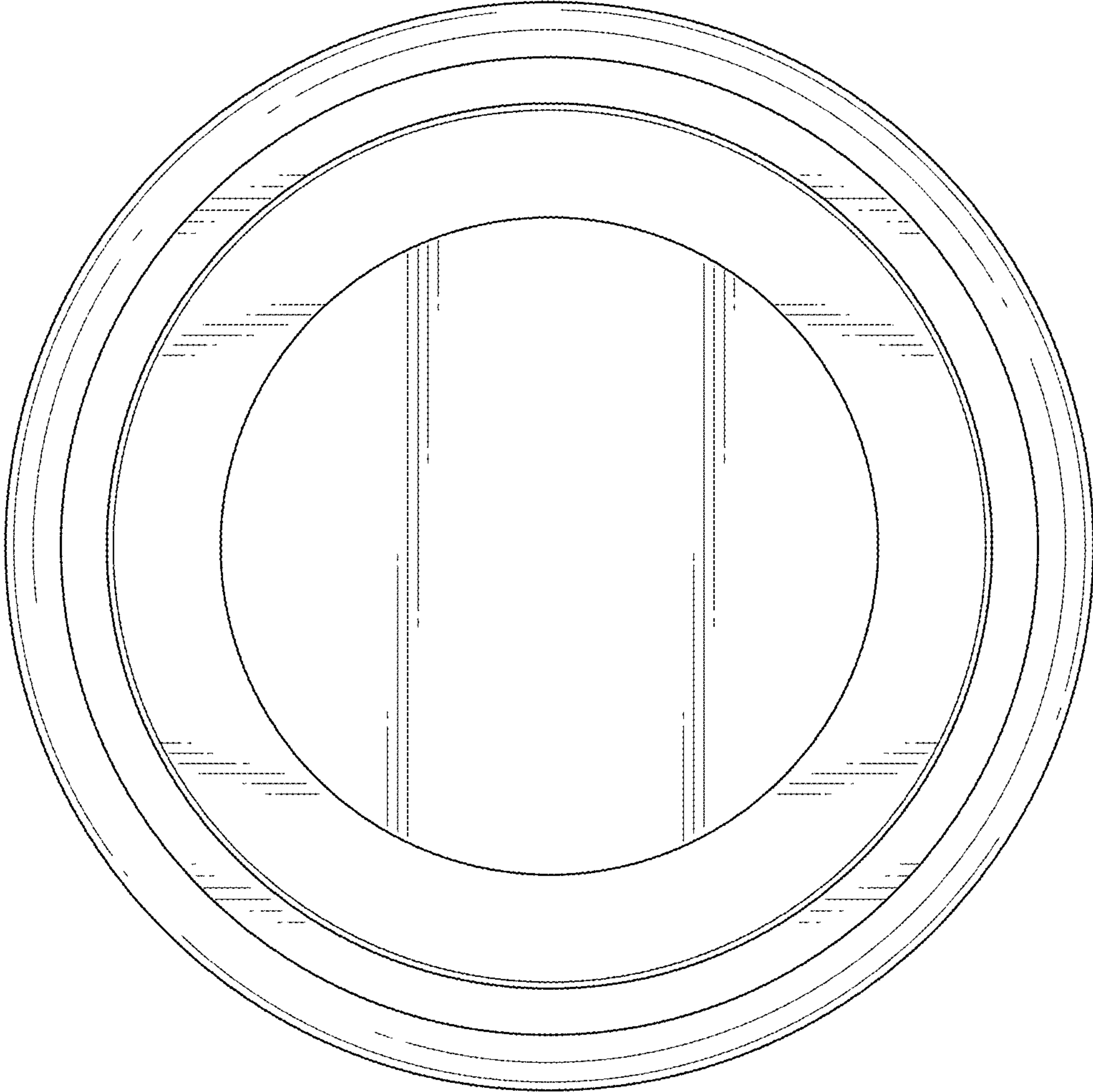


FIG. 7

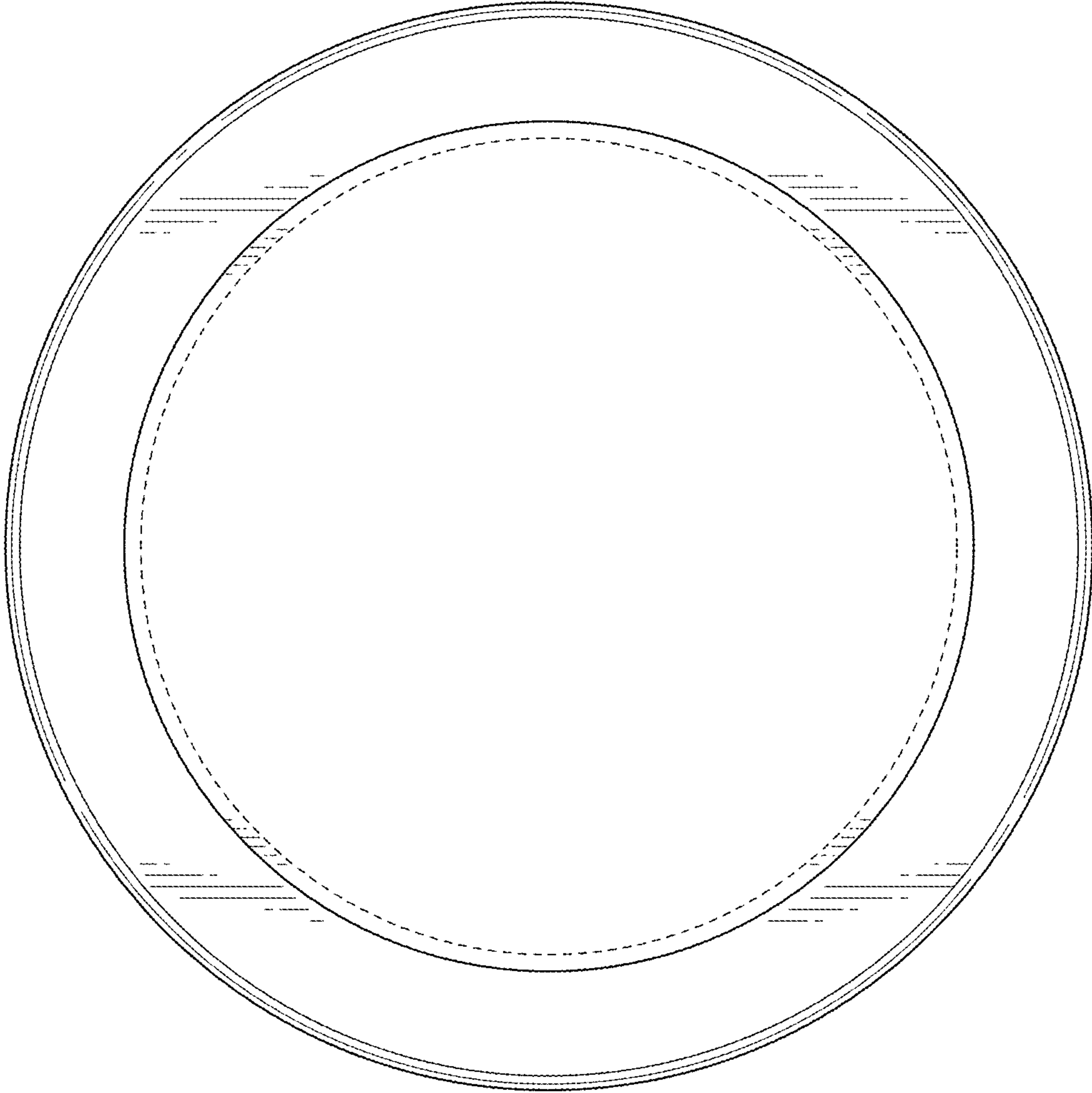


FIG. 8

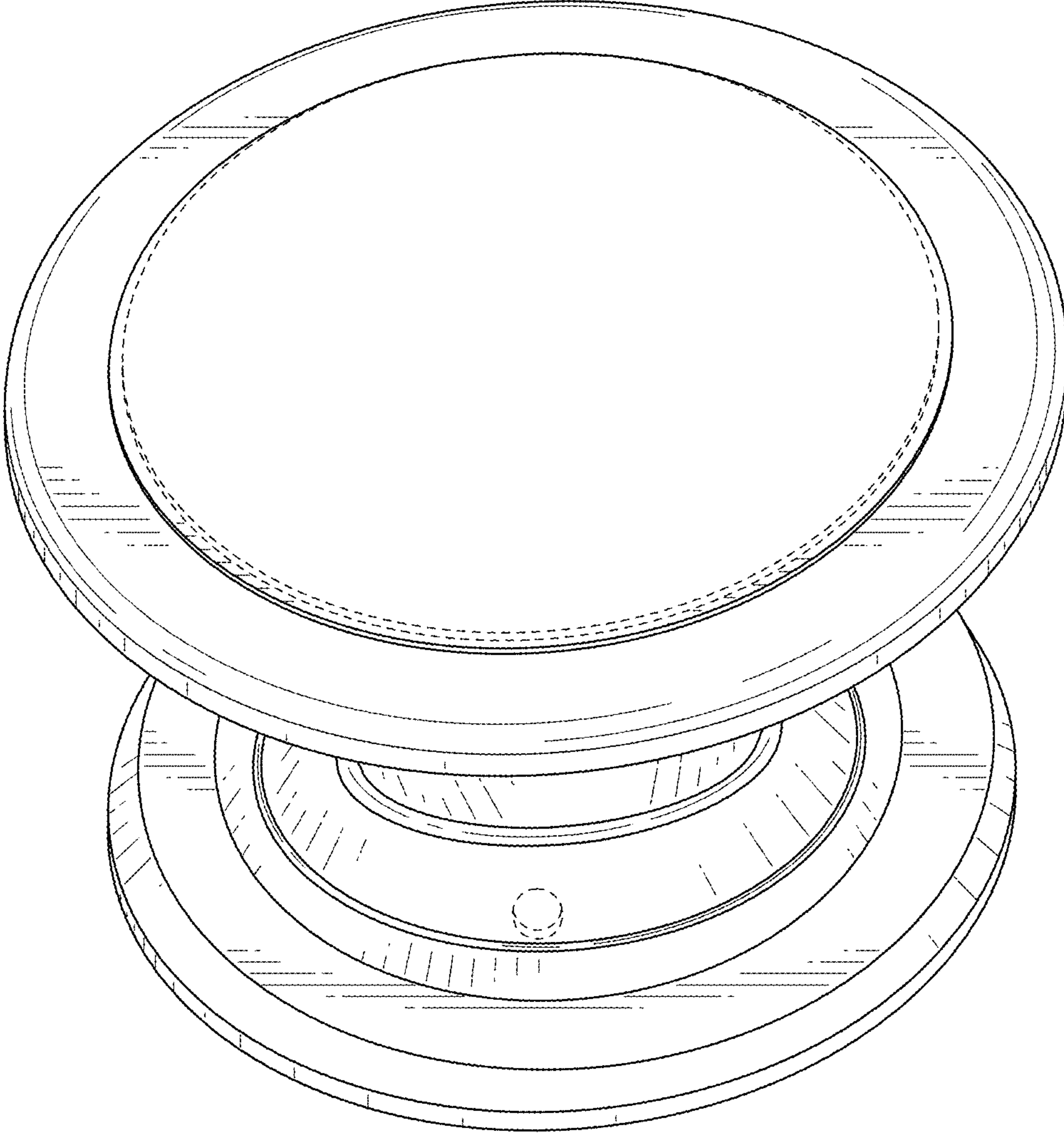


FIG. 9

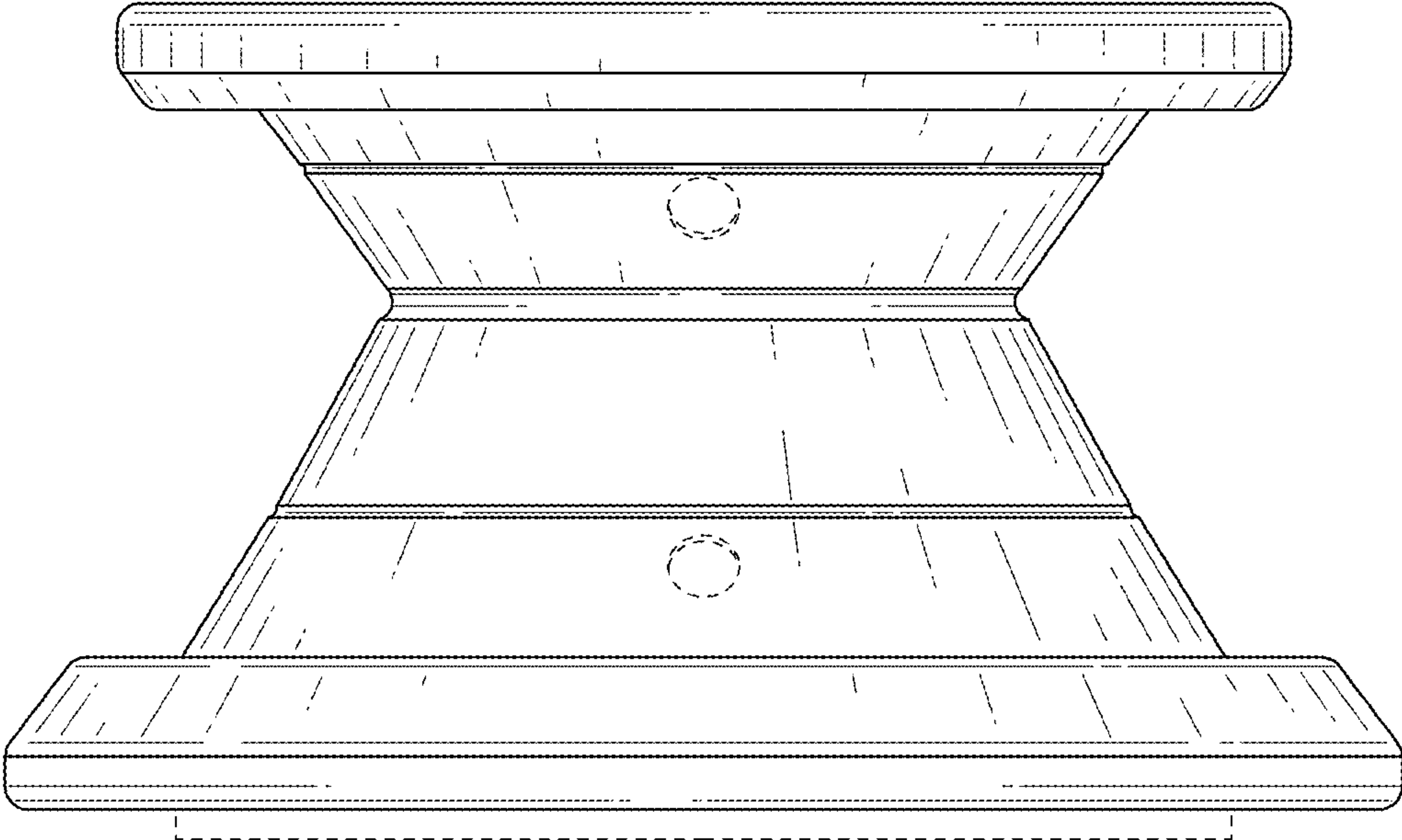


FIG. 10

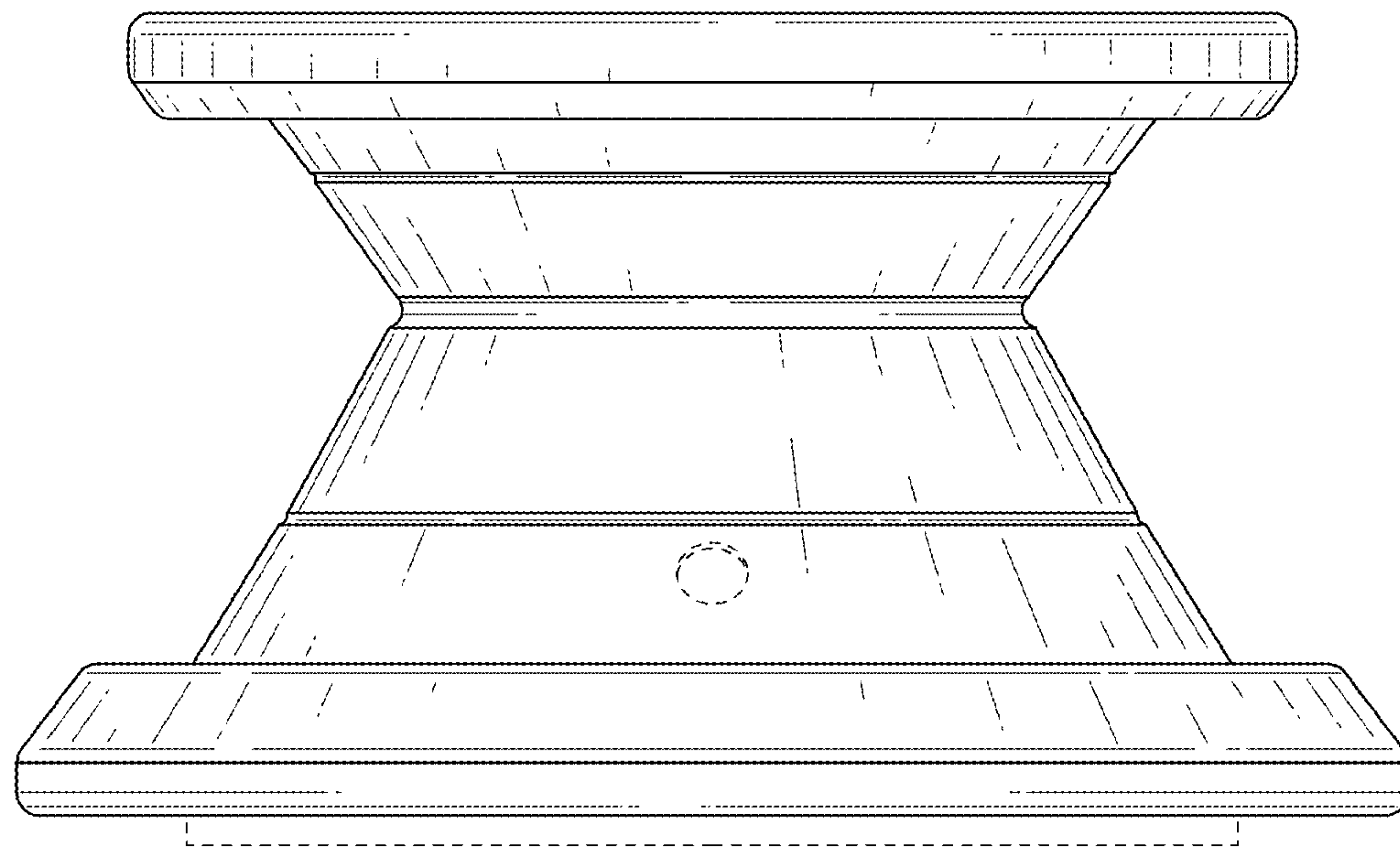


FIG. 11



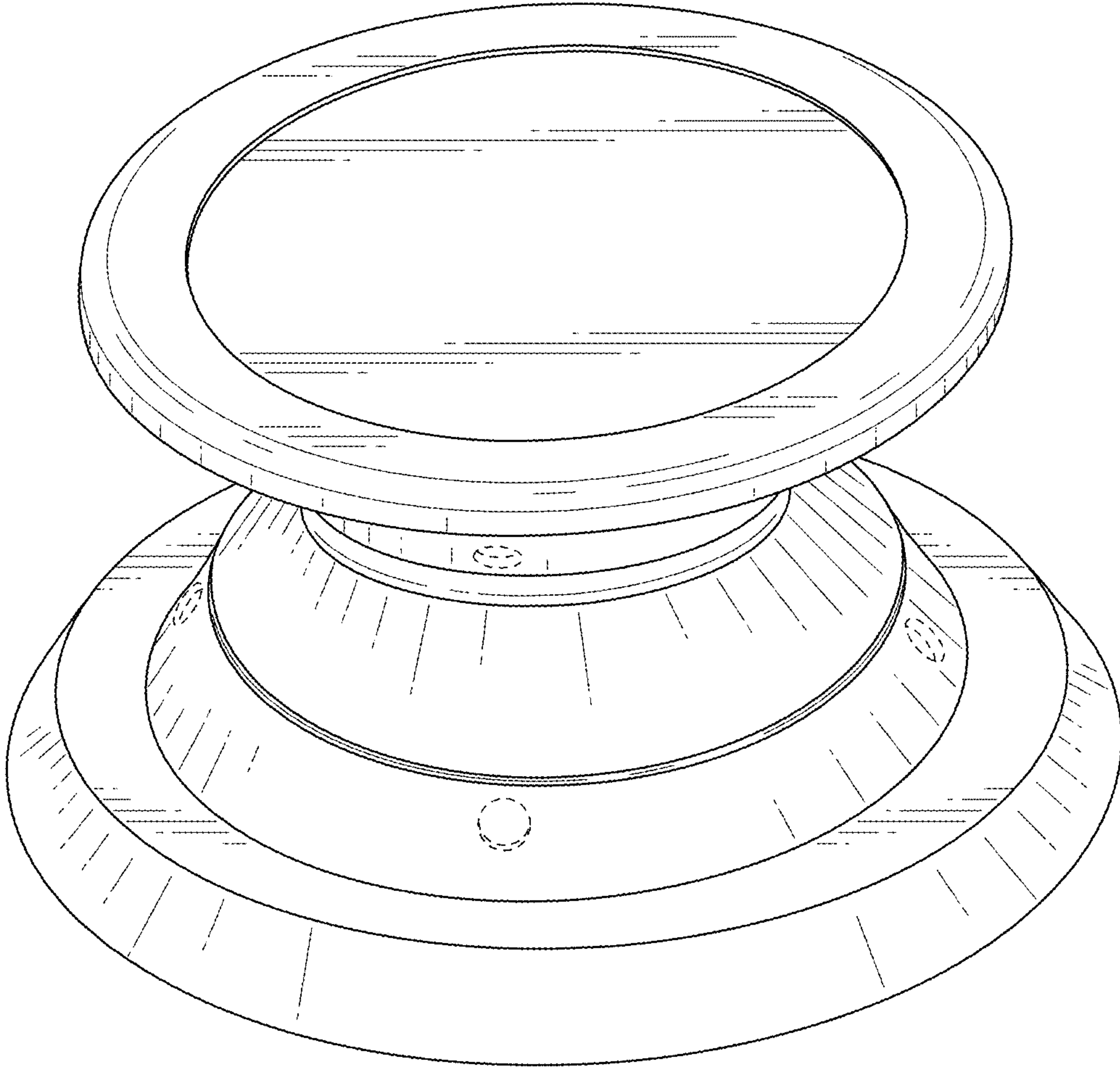


FIG. 12