

US00D977467S

(12) **United States Design Patent**
Boqueho

(10) **Patent No.:** **US D977,467 S**
(45) **Date of Patent:** **** Feb. 7, 2023**

(54) **NETWORK GATEWAY**
(71) Applicant: **SAGEMCOM BROADBAND SAS**,
Rueil-Malmaison (FR)
(72) Inventor: **Jérémie Boqueho**, Rueil Malmaison
(FR)

D799,016 S * 10/2017 Su D23/364
D804,460 S * 12/2017 Li D14/242
D815,610 S * 4/2018 Lee D14/125
D842,847 S * 3/2019 Walliser D14/240
D854,509 S * 7/2019 Wu D14/204
D859,415 S * 9/2019 Liao D14/240
D862,438 S * 10/2019 Lee D14/242
D865,148 S * 10/2019 Yoon D23/364

(Continued)

(**) Term: **15 Years**

(21) Appl. No.: **35/513,056**

(22) Filed: **Nov. 17, 2021**

(80) **Hague Agreement Data**

Int. Filing Date: **Nov. 17, 2021**

Int. Reg. No.: **DM/217485**

Int. Reg. Date: **Nov. 17, 2021**

Int. Reg. Pub. Date: **Dec. 3, 2021**

(51) **LOC (14) Cl.** **14-03**

(52) **U.S. Cl.**
USPC **D14/242**

(58) **Field of Classification Search**
USPC D14/240, 242, 357, 358, 140-140.9, 155,
D14/125, 137, 139, 243, 348, 349, 351,
D14/354, 355
CPC H04L 12/00; H03K 17/00; H04W 88/00;
H04W 88/005; H04W 88/02; H04W
88/08; H04W 88/085; H04W 88/10;
H04W 88/12; H04W 88/14; H04B 1/38

See application file for complete search history.

(56) **References Cited**

U.S. PATENT DOCUMENTS

D411,185 S * 6/1999 Isshiki D14/358
D526,640 S * 8/2006 Chin D14/188
D535,075 S * 1/2007 Weiss D34/1
D674,778 S * 1/2013 Skurdal D14/214
D713,405 S * 9/2014 Akana D14/356
D746,263 S * 12/2015 Carbone D14/214
D753,628 S * 4/2016 McManigal D14/214
D755,942 S * 5/2016 Kim D23/364
D791,297 S * 7/2017 Ljungstrom D23/364

FOREIGN PATENT DOCUMENTS

EM 006613170-0001 * 7/2019
WO D217485-001 * 12/2021

OTHER PUBLICATIONS

T-Mobile Home Internet Adds Another 5G Cellular Gateway Inter-
net Publication by Andrew McNabb, Publication Date: Aug. 2,
2022, [online], [retrieved on Nov. 7, 2022]. Retrieved from
Internet, <URL: <https://www.rvmobileinternet.com/t-mobile-home-internet-adds-another-5g-cellular-gateway-the-sagecom-fast-5688w/>>.*

(Continued)

Primary Examiner — Bridget L Eland

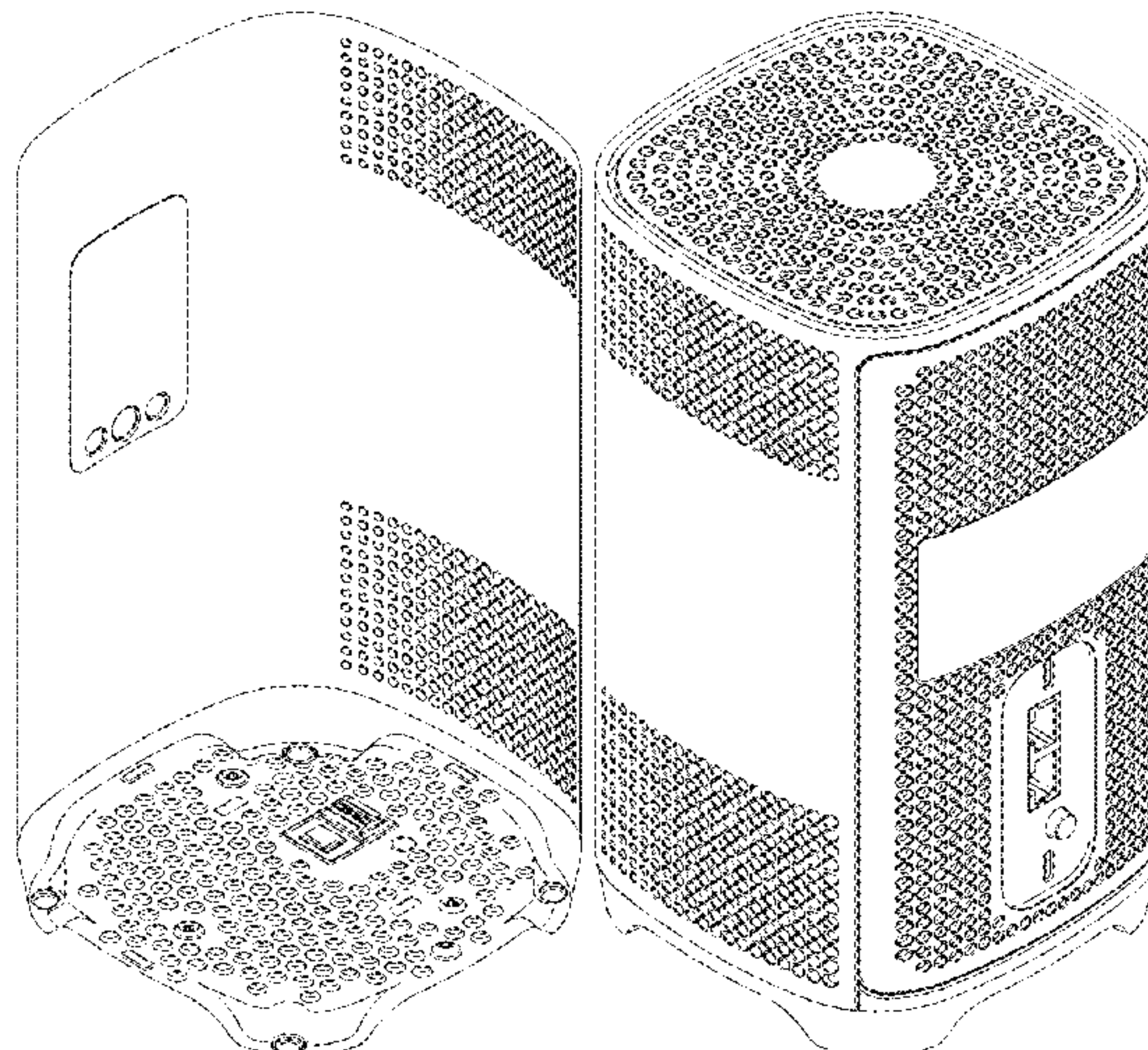
(57) **CLAIM**

The ornamental design for a network gateway, as shown and
described.

DESCRIPTION

1. Network gateway
FIG. 1.1 is a front view of a network gateway showing my
new design;
FIG. 1.2 is a left side view thereof;
FIG. 1.3 is a right side view thereof;
FIG. 1.4 is a back view thereof;
FIG. 1.5 is a top plan view thereof;
FIG. 1.6 is a front perspective view thereof;
FIG. 1.7 is a bottom perspective view thereof;
FIG. 1.8 is a back perspective view thereof; and
FIG. 1.9 is a bottom plan view thereof.

1 Claim, 9 Drawing Sheets



(56)

References Cited

U.S. PATENT DOCUMENTS

D877,127	S	*	3/2020	Bentley	D14/240
D891,406	S	*	7/2020	Hulick	D14/240
D915,351	S	*	4/2021	Liao	D14/214
D940,117	S	*	1/2022	Li	D14/242
D954,709	S	*	6/2022	Ledbetter	D14/349
D960,137	S	*	8/2022	Kim	D14/240

OTHER PUBLICATIONS

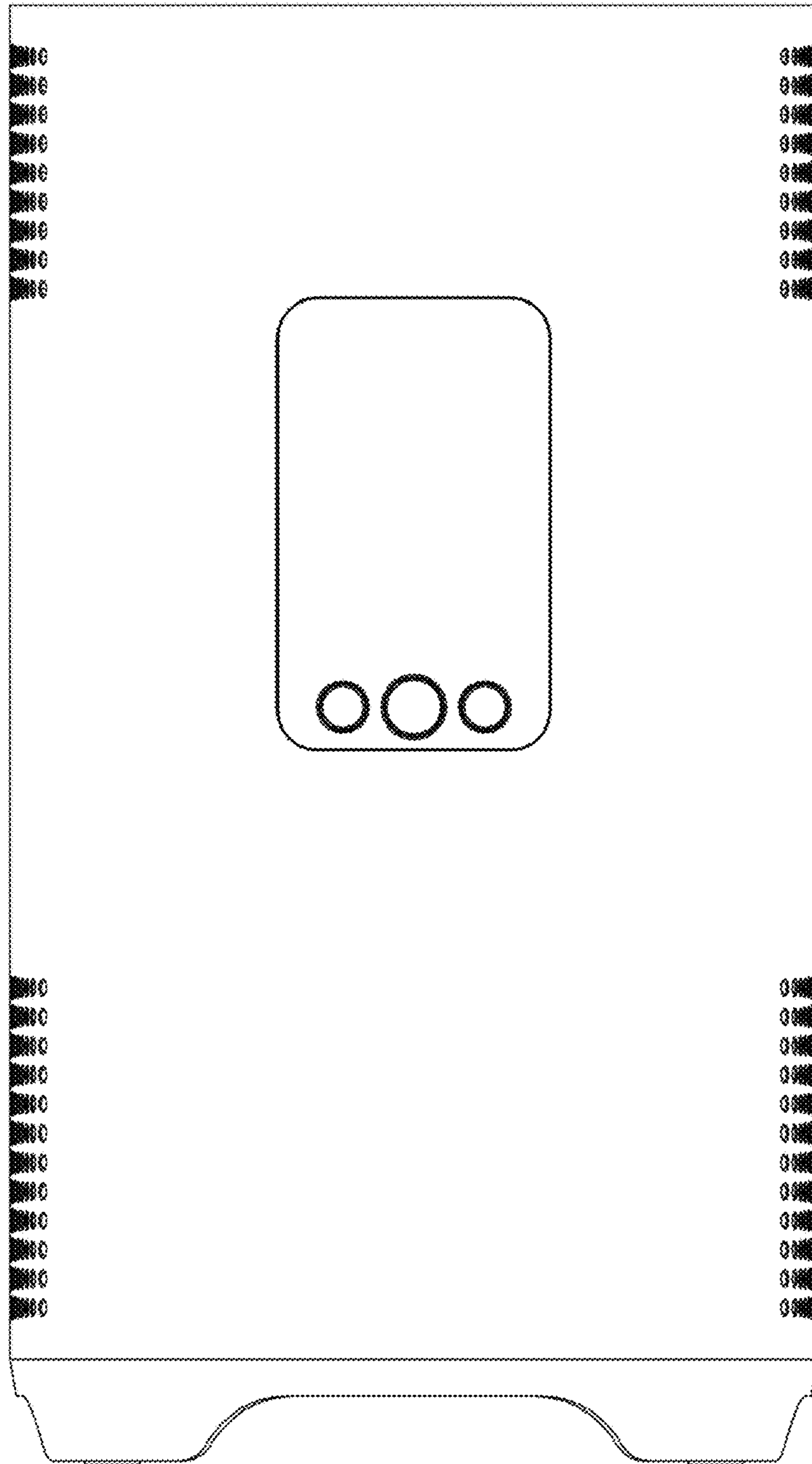
T-Mobile Users Guide Internet Publication, Wayback Machine Publication Date: Aug. 3, 2022, [online], [retrieved on Nov. 7, 2022]. Retrieved from Internet ,<URL: https://web.archive.org/web/20220803111611/https://www.t-mobile.com/support/public-files/attachments/hint-gateway/Sagemcom%205G%20Gateway%20User%20Guide_English.pdf>.*

Get to know you Sagemcom Fas 5688W Gateway Internet Publication, Wayback Machine Publication Date: Aug. 18, 2022, [online], [retrieved on Nov. 7, 2022]. Retrieved from Internet ,<URL: <https://web.archive.org/web/20220818125556/https://www.t-mobile.com/support/devices/get-to-know-your-sagemcom-gateway>>.*

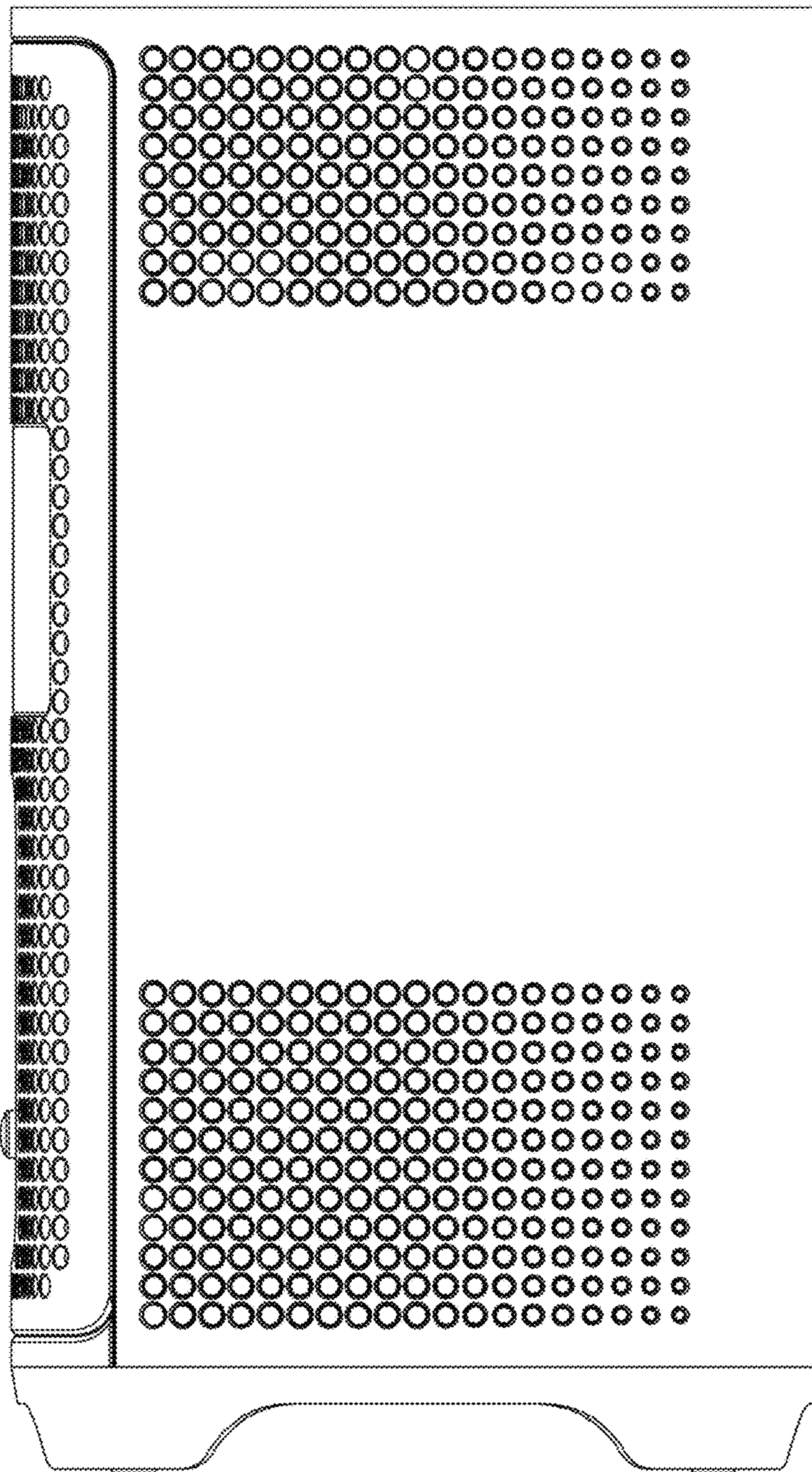
YouTube Internet Publication by NaterTater, I Took It Apart!—T-Mobile 5G Home Internet—Sagemcom Fast 5688WW, Publication Date: Oct. 2, 2022, [online], [retrieved on Nov. 7, 2022]. Retrieved from Internet ,<URL: <https://www.youtube.com/watch?v=z-v6PajM4Js>>.*

* cited by examiner

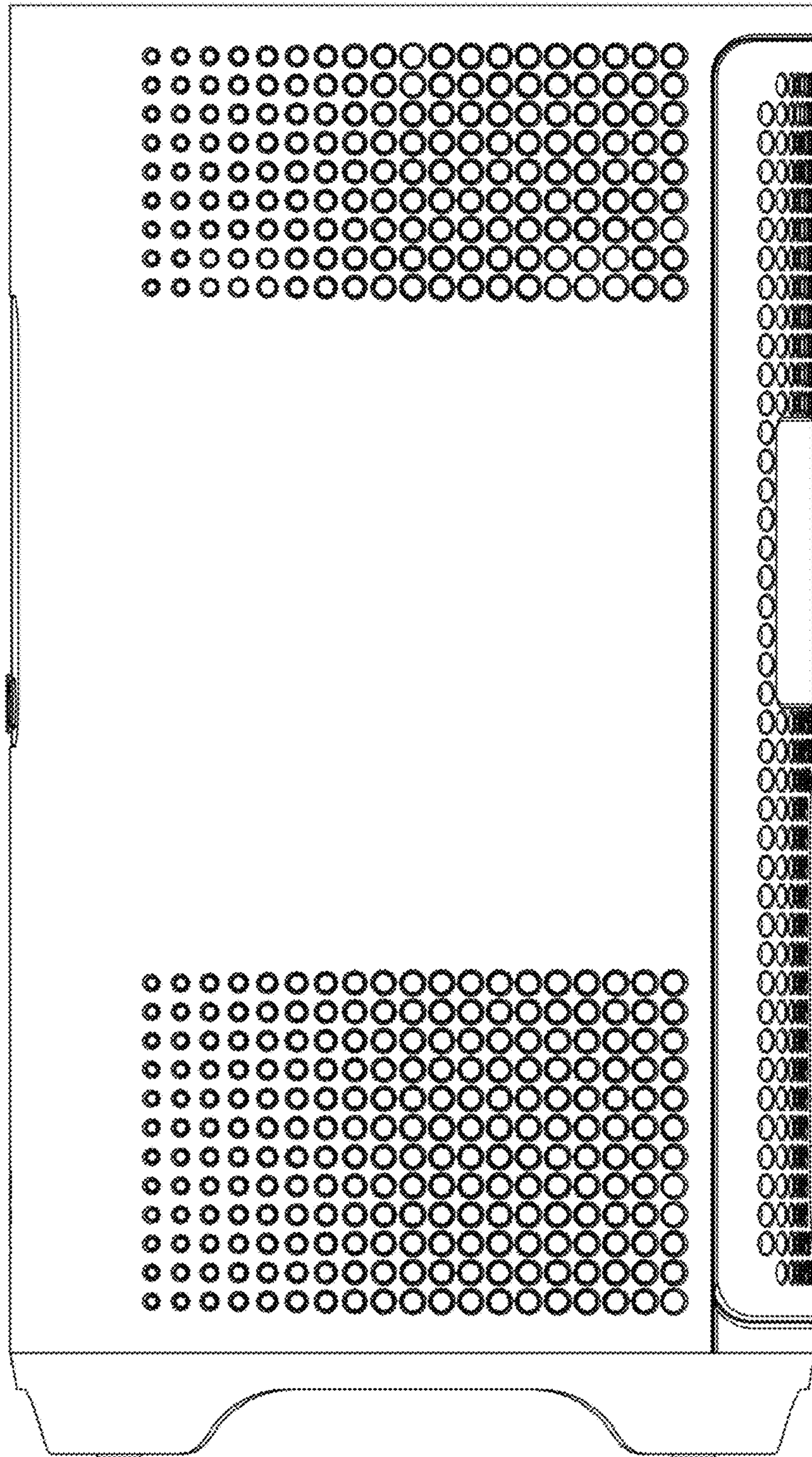
1.1



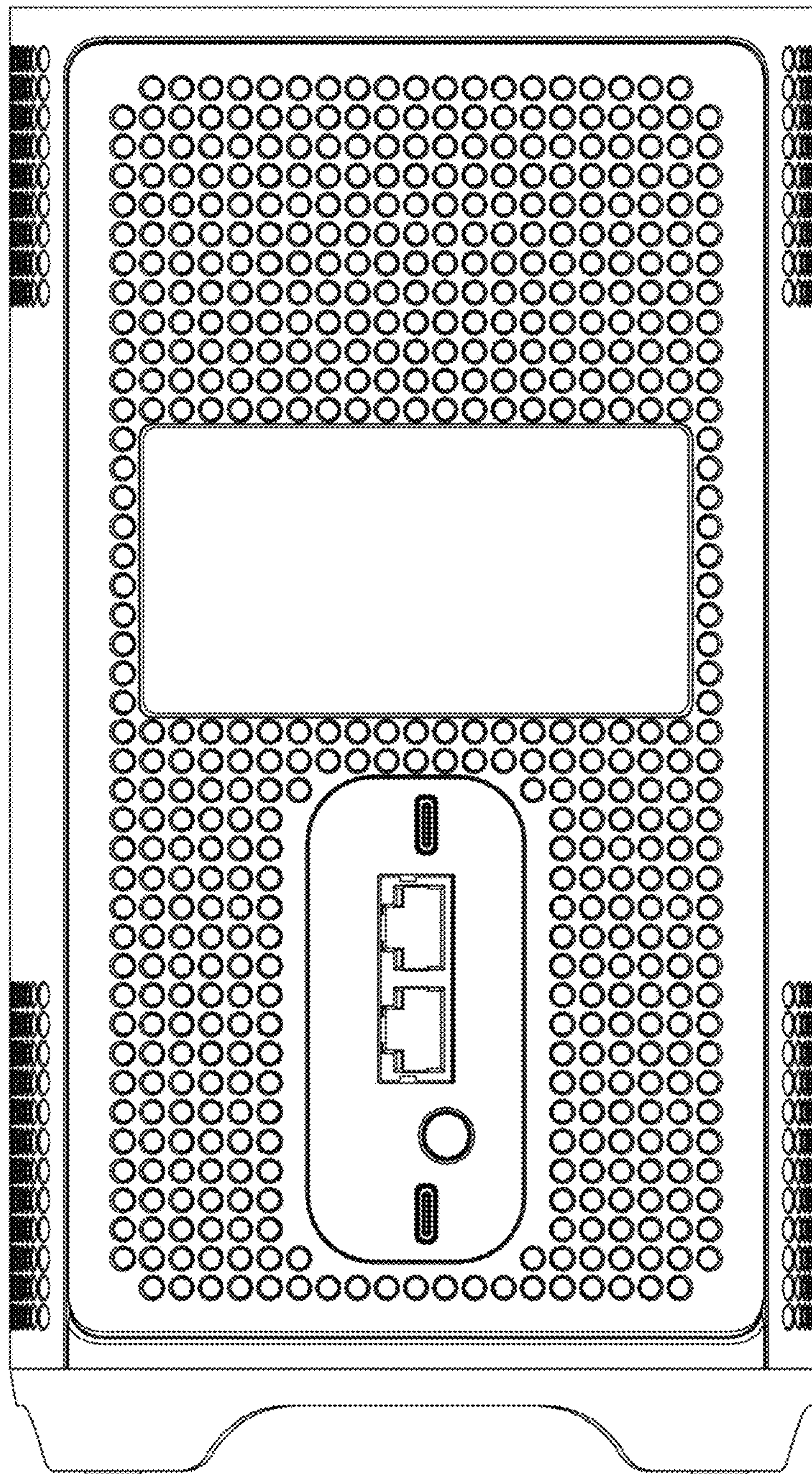
1.2



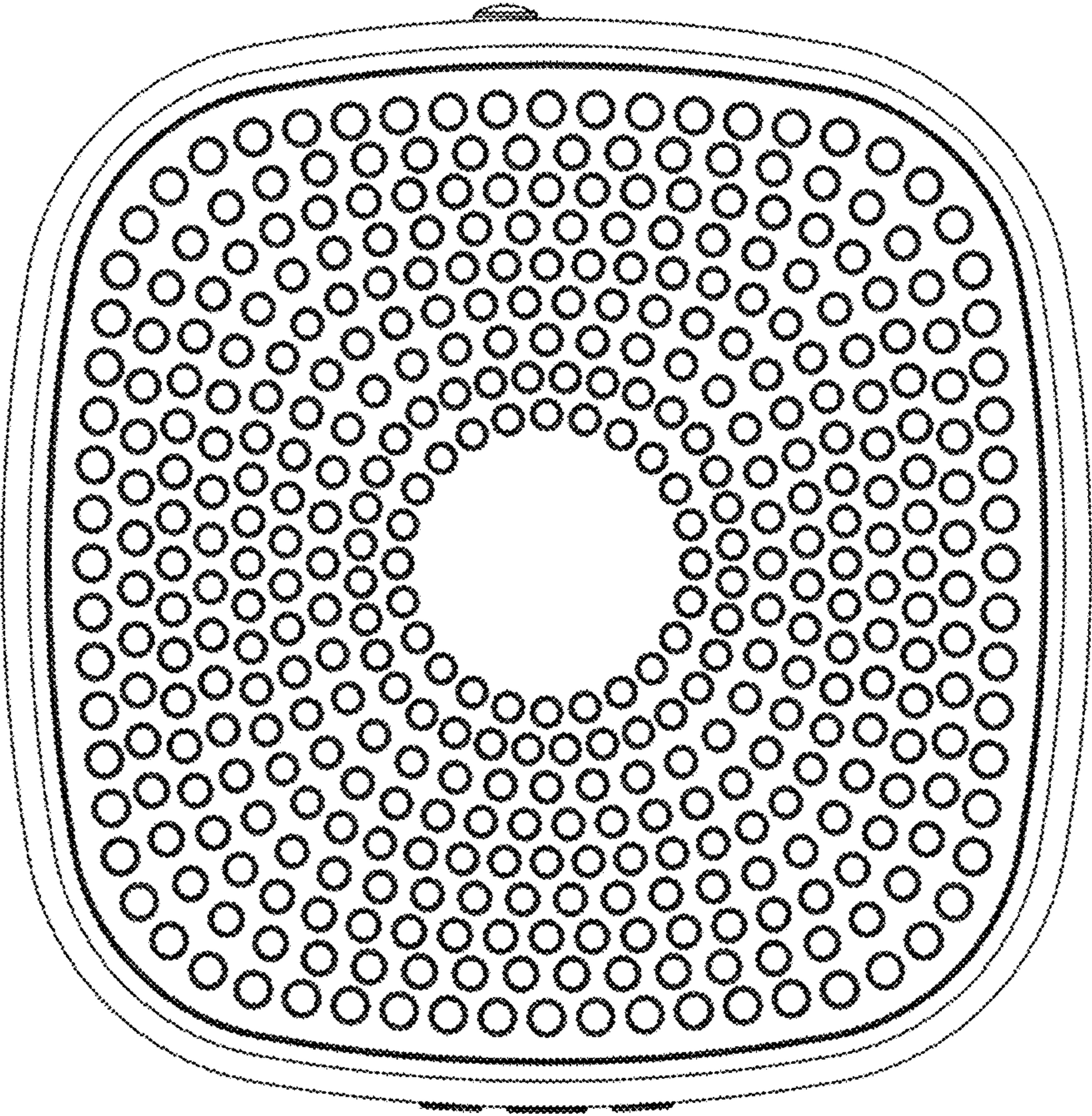
1.3



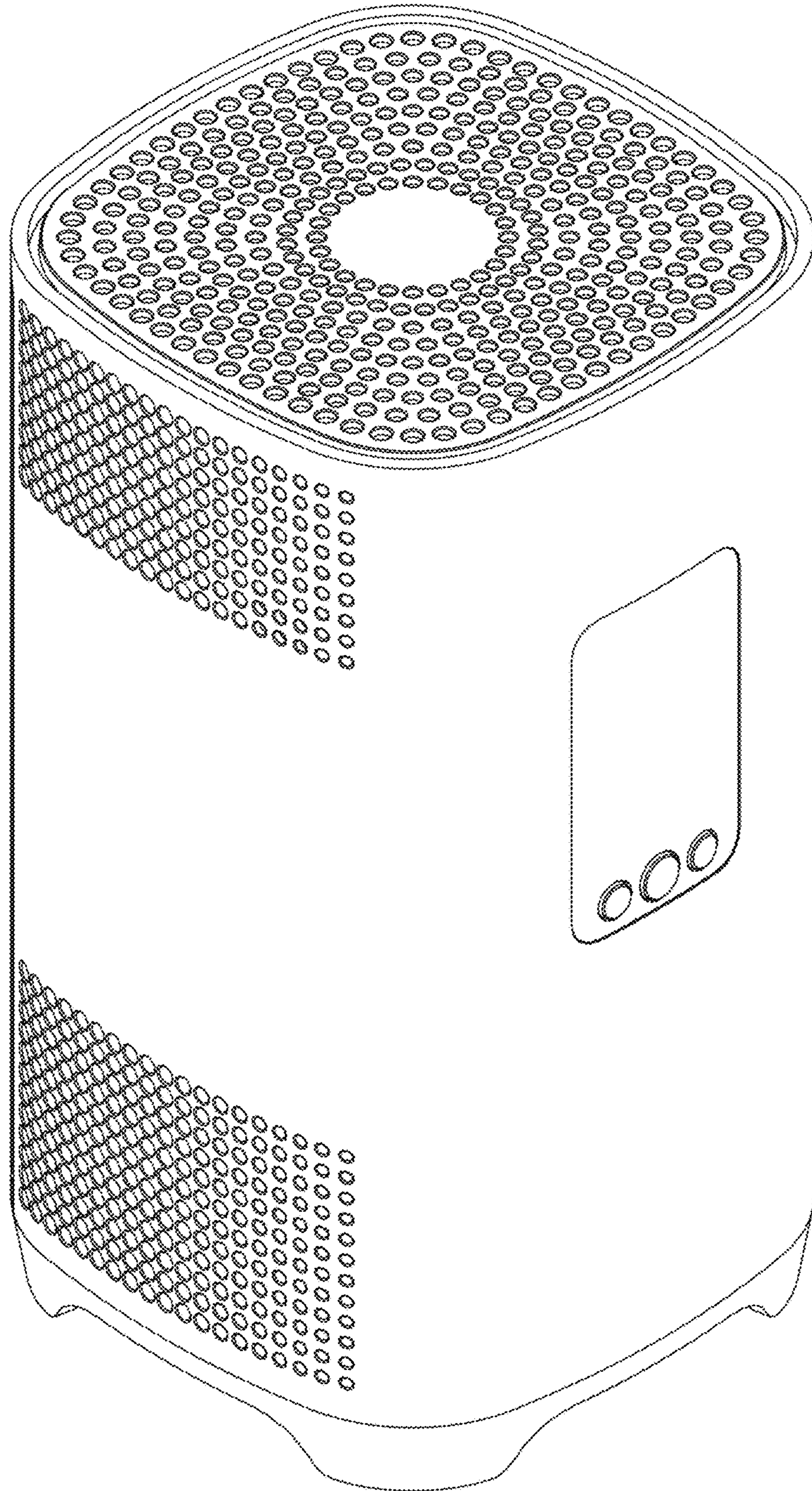
1.4



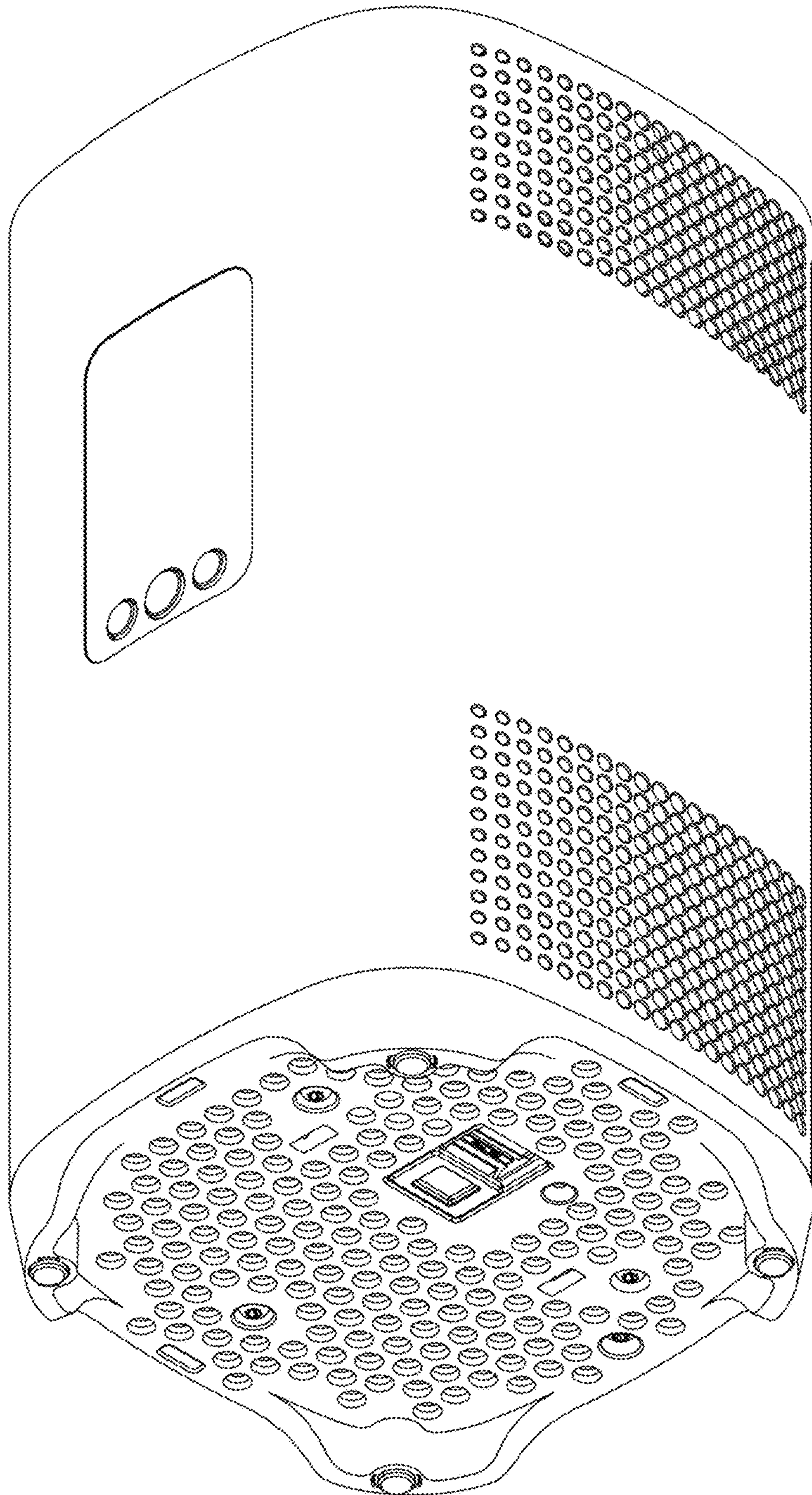
1.5



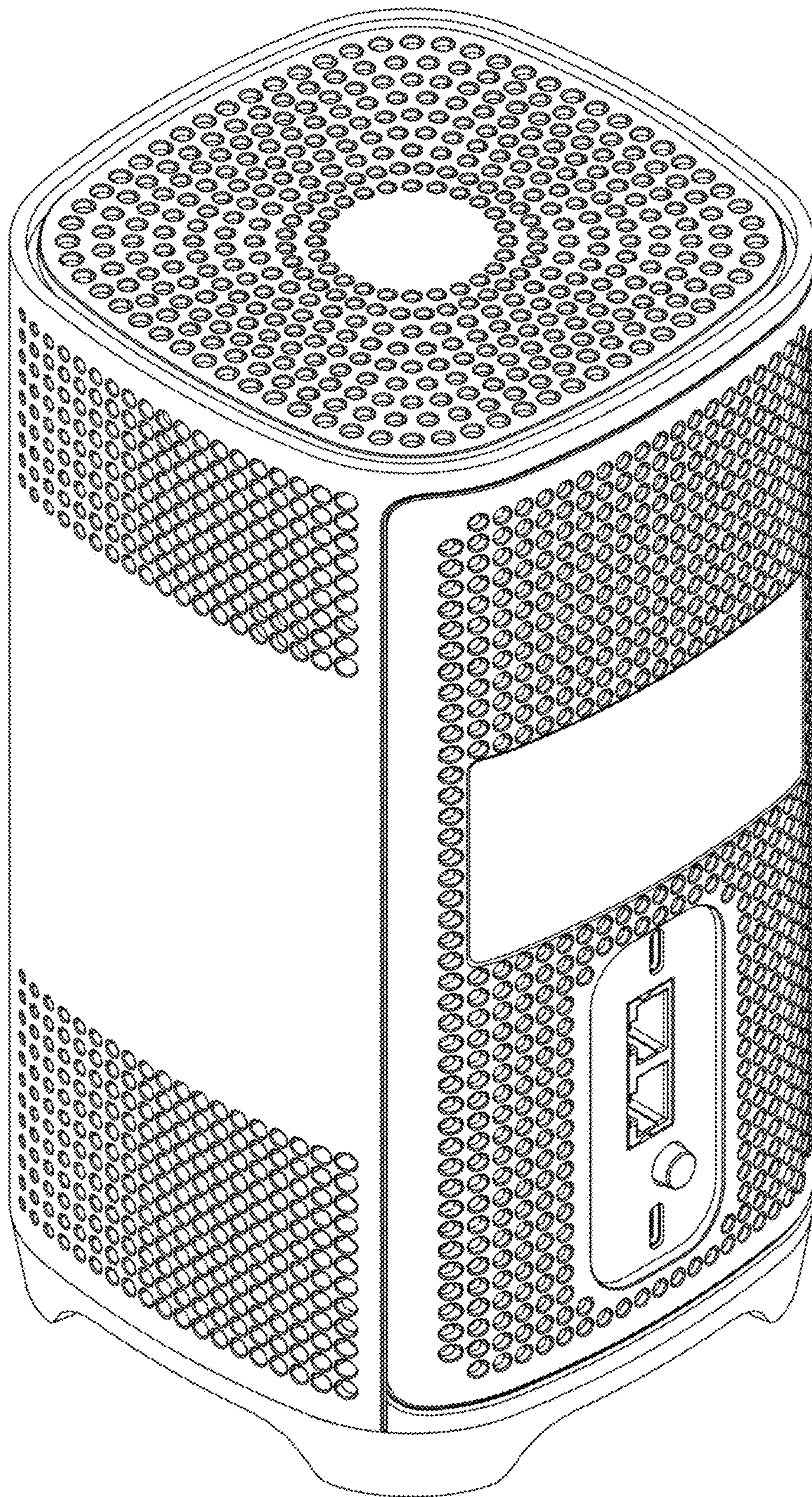
1.6



1.7



1.8



1.9

