



US00D977466S

(12) **United States Design Patent**
van Til et al.

(10) **Patent No.:** **US D977,466 S**

(45) **Date of Patent:** **** Feb. 7, 2023**

(54) **TELEVISION SUPPORT TILT MECHANISM**

D700,674 S * 3/2014 Prieto D22/109
D744,473 S * 12/2015 Tsai D14/251
2008/0237411 A1* 10/2008 Kim F16M 11/046
248/122.1

(71) Applicant: **Universal Electronics Inc.**, Santa Ana,
CA (US)

(72) Inventors: **Peter Martin van Til**, Enschede (NL);
Niek Fox, Hengelo (NL); **Luigi**
D'Andrea, Hengelo (NL)

(73) Assignee: **Universal Electronics Inc.**, Santa Ana,
CA (US)

(**) Term: **15 Years**

(21) Appl. No.: **29/740,169**

(22) Filed: **Jul. 1, 2020**

(51) **LOC (14) Cl.** **14-03**

(52) **U.S. Cl.**
USPC **D14/239**

(58) **Field of Classification Search**
USPC D22/109; D14/239
CPC A47B 96/07; F16M 11/04
See application file for complete search history.

(56) **References Cited**

U.S. PATENT DOCUMENTS

6,158,978 A * 12/2000 Norbury, Jr. F04D 25/082
248/638
D504,767 S * 5/2005 DiMarchi D3/208
D675,281 S * 1/2013 Speroni D22/109

OTHER PUBLICATIONS

U.S. Patent and Trademark Office, Final Office Action issued in U.S.
Appl. No. 16/984,404, dated Nov. 15, 2021, 7 pgs.

* cited by examiner

Primary Examiner — Khawaja Anwar

Assistant Examiner — Megan Tiana Rakos

(74) *Attorney, Agent, or Firm* — Greenberg Traurig, LLP

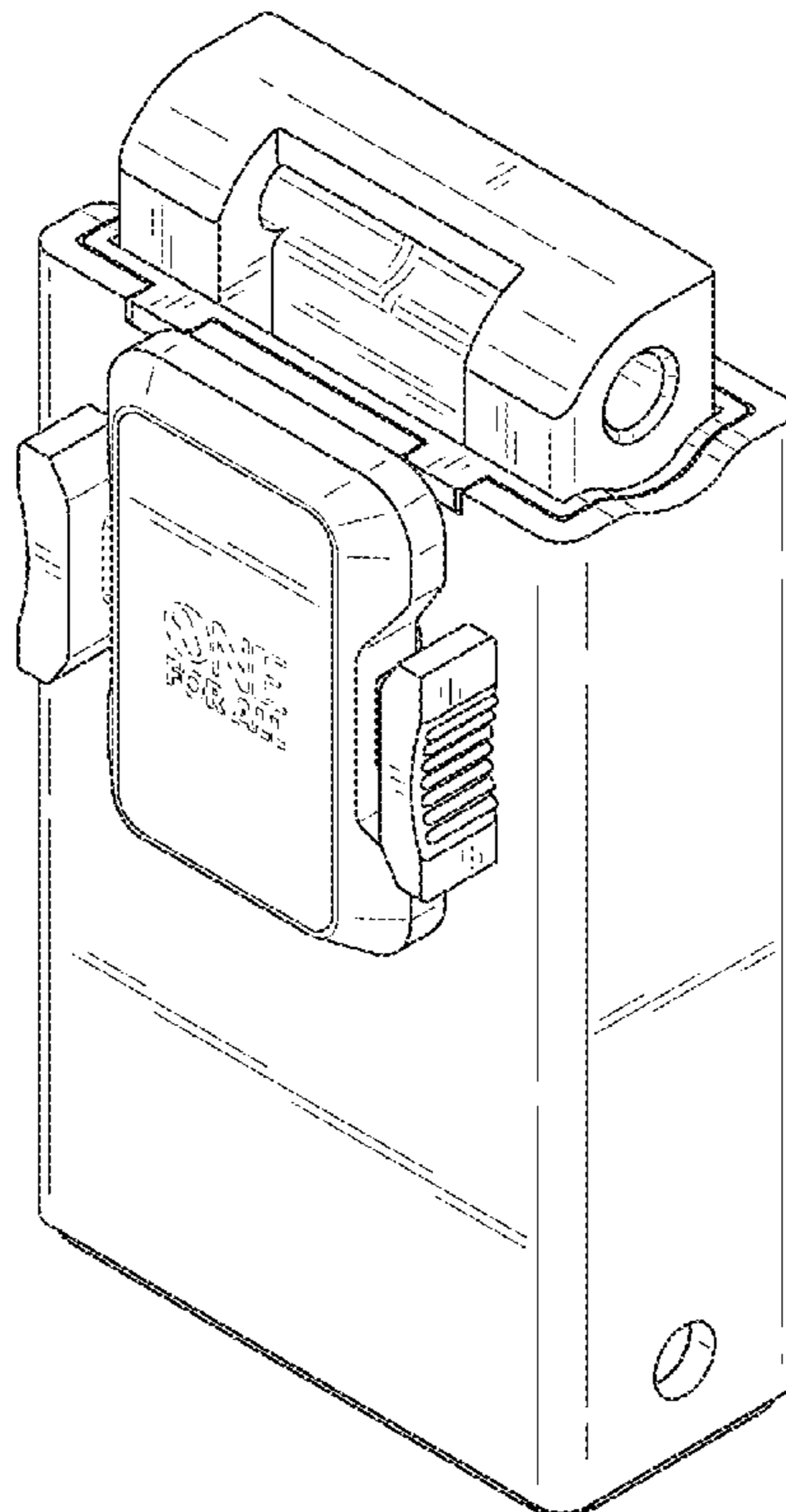
(57) **CLAIM**

The ornamental design for a television support tilt mechanism, as shown and described.

DESCRIPTION

FIG. 1 is a top, front perspective view of a television support tilt mechanism showing our new design;
FIG. 2 is front side elevational view thereof;
FIG. 3 is a rear side elevational view thereof;
FIG. 4 is a left side elevational view thereof;
FIG. 5 is a right side elevational view thereof;
FIG. 6 is a top plan view thereof;
FIG. 7 is a bottom plan view thereof; and,
FIG. 8 is a top, front perspective view thereof, showing the inner mechanism partially extended.
The broken lines depict portions of the television support tilt mechanism that form no part of the claimed design.

1 Claim, 5 Drawing Sheets



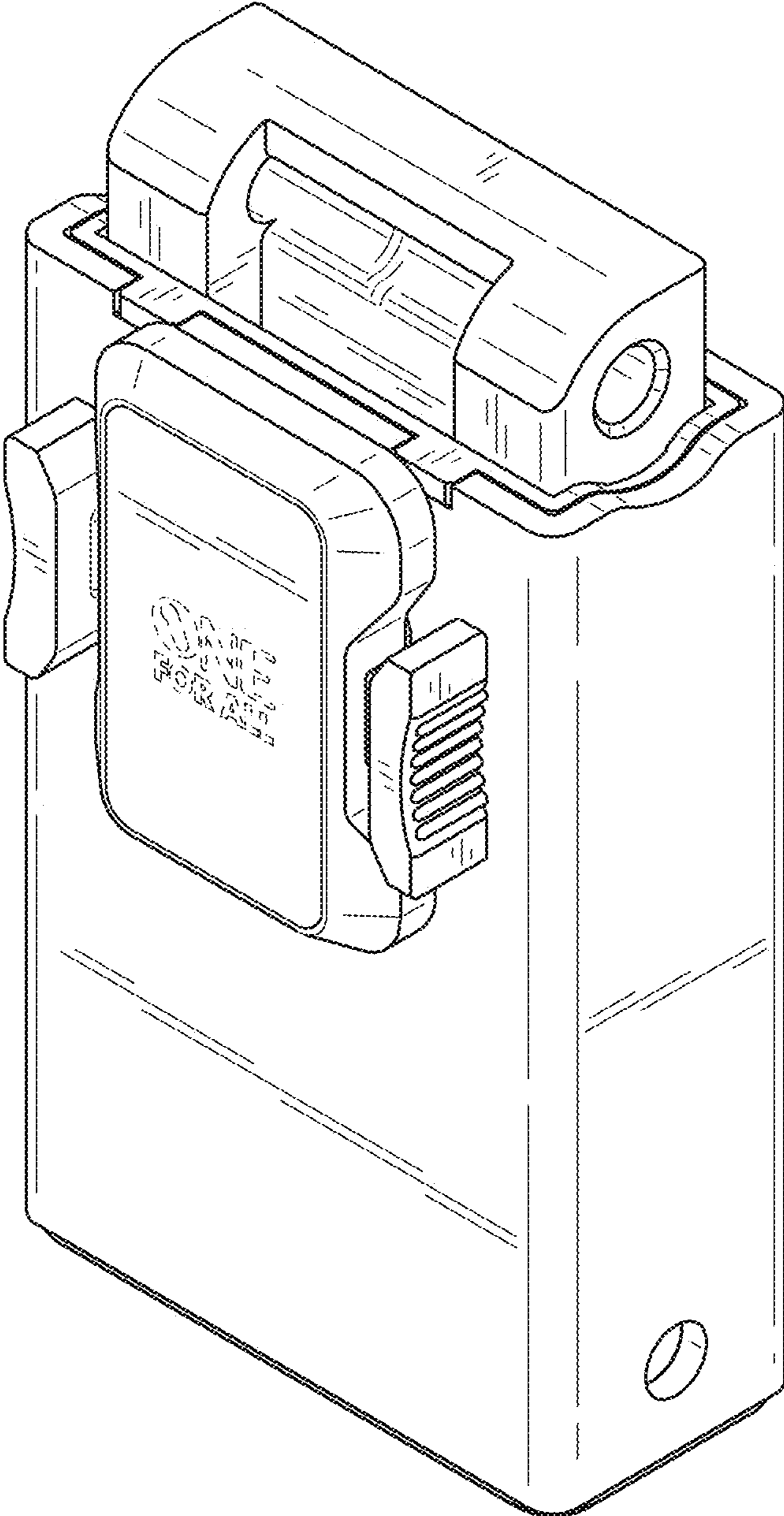


FIG. 1

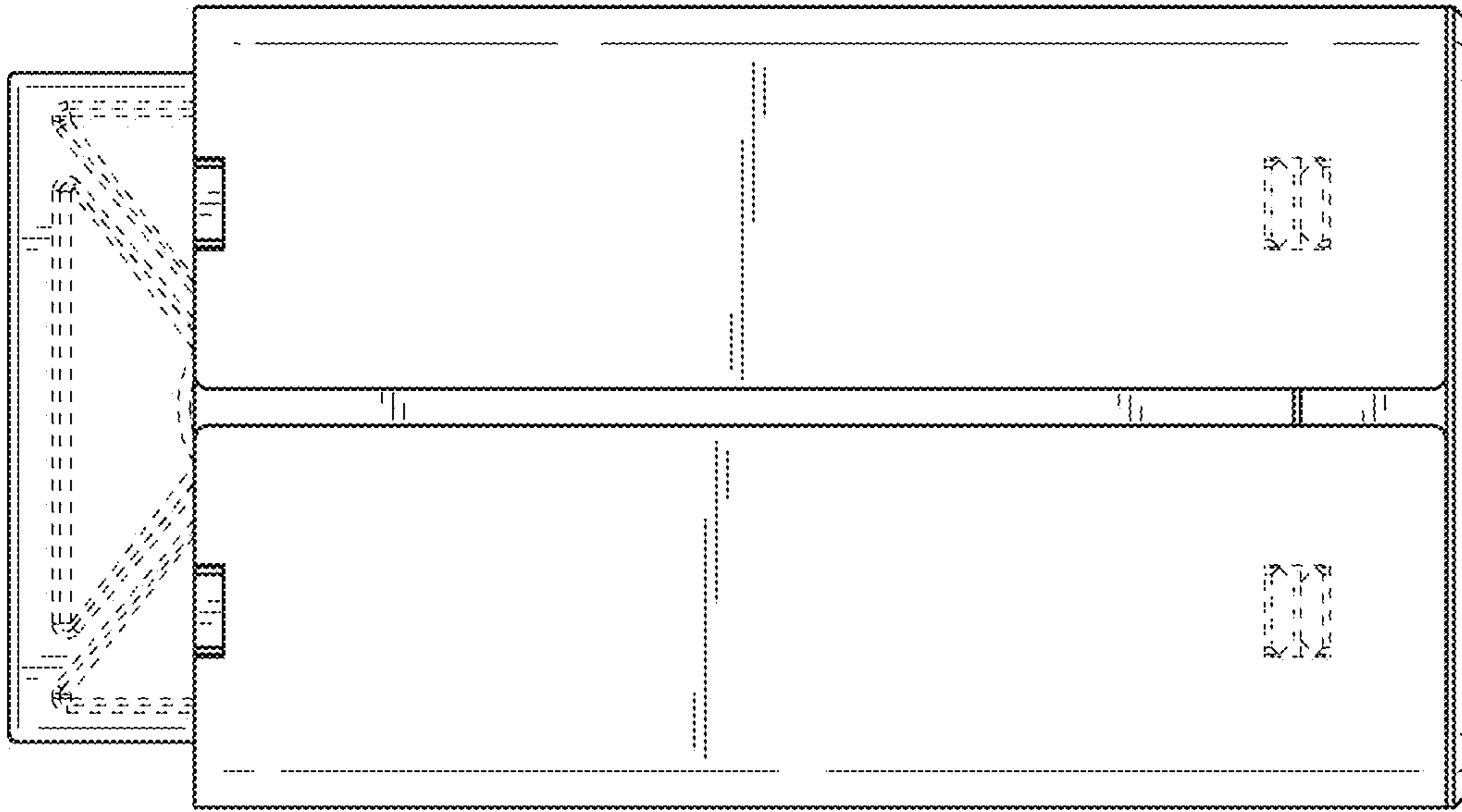


FIG. 3

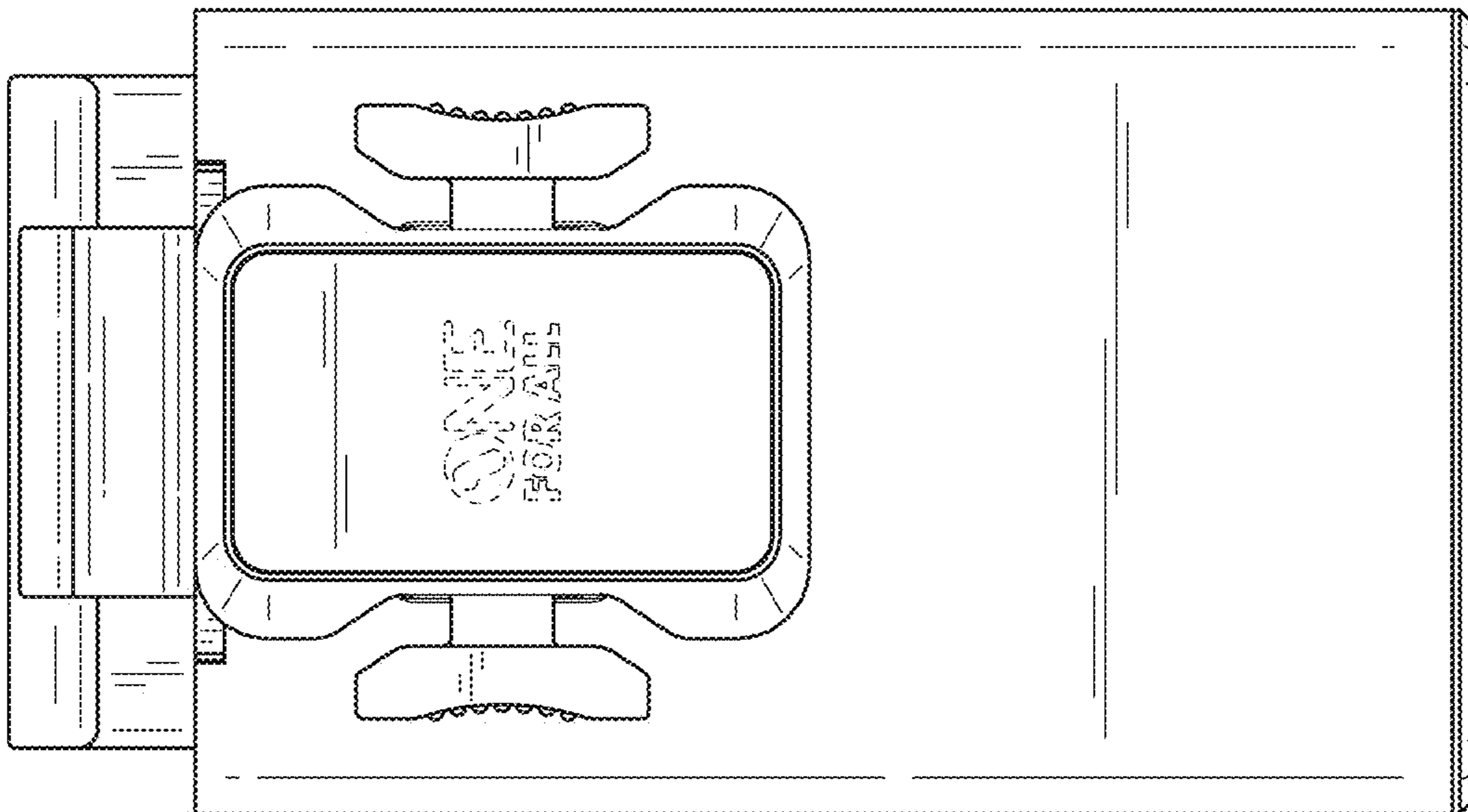


FIG. 2

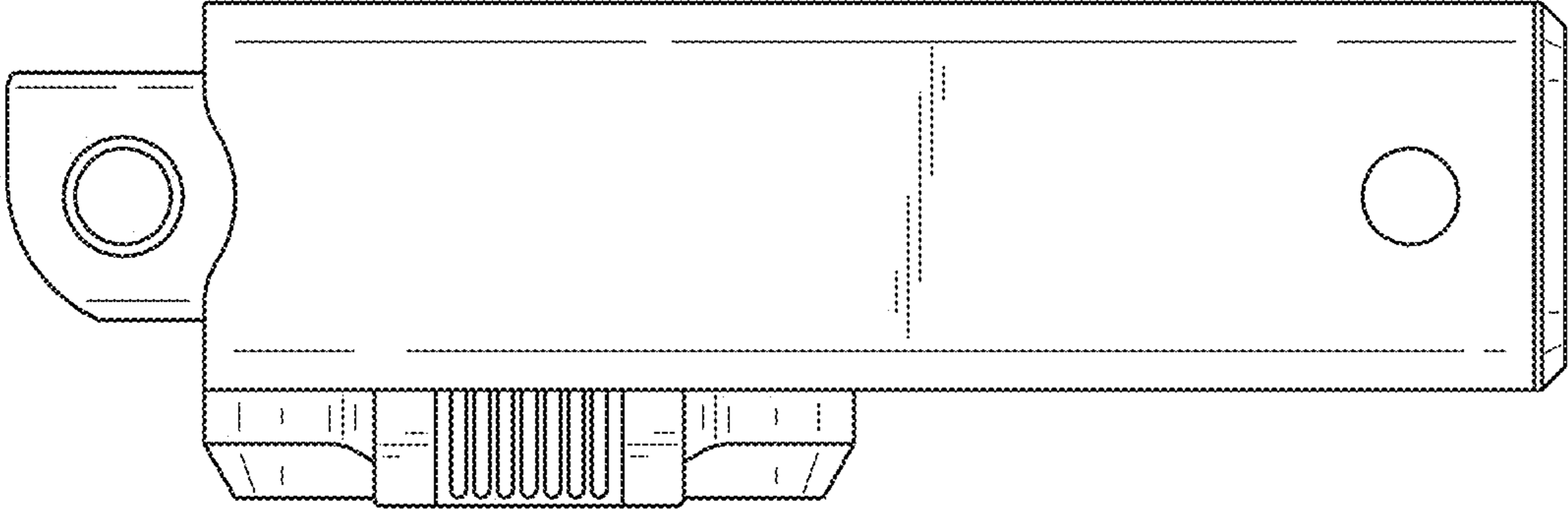


FIG. 5

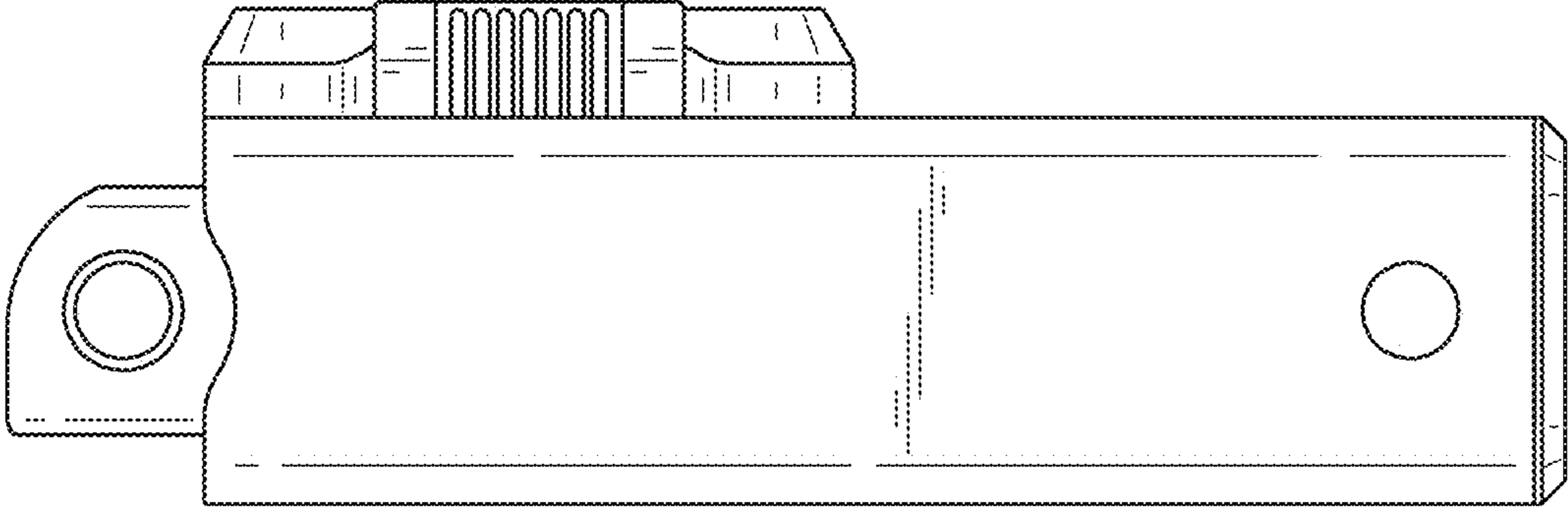


FIG. 4

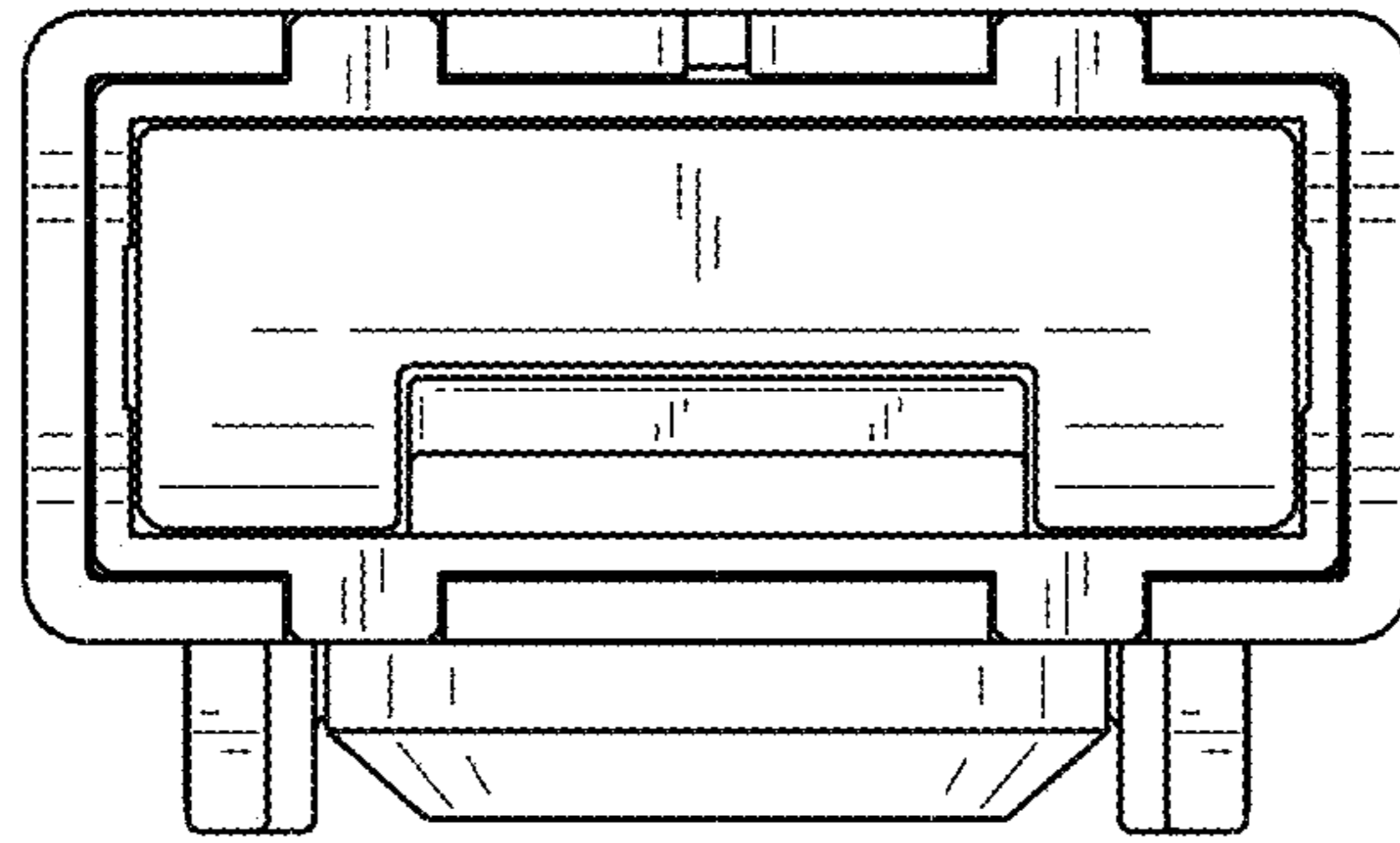


FIG. 6

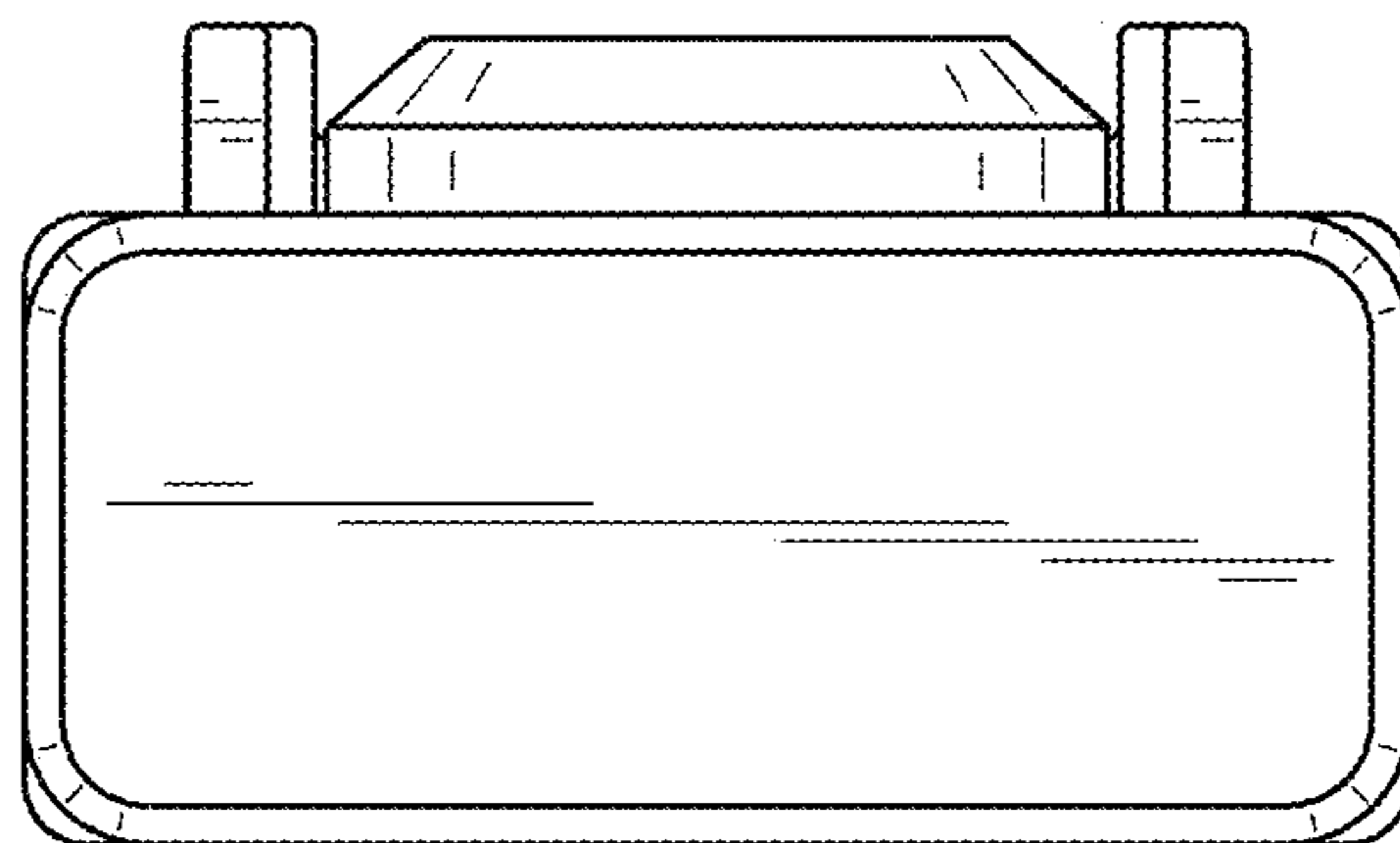


FIG. 7

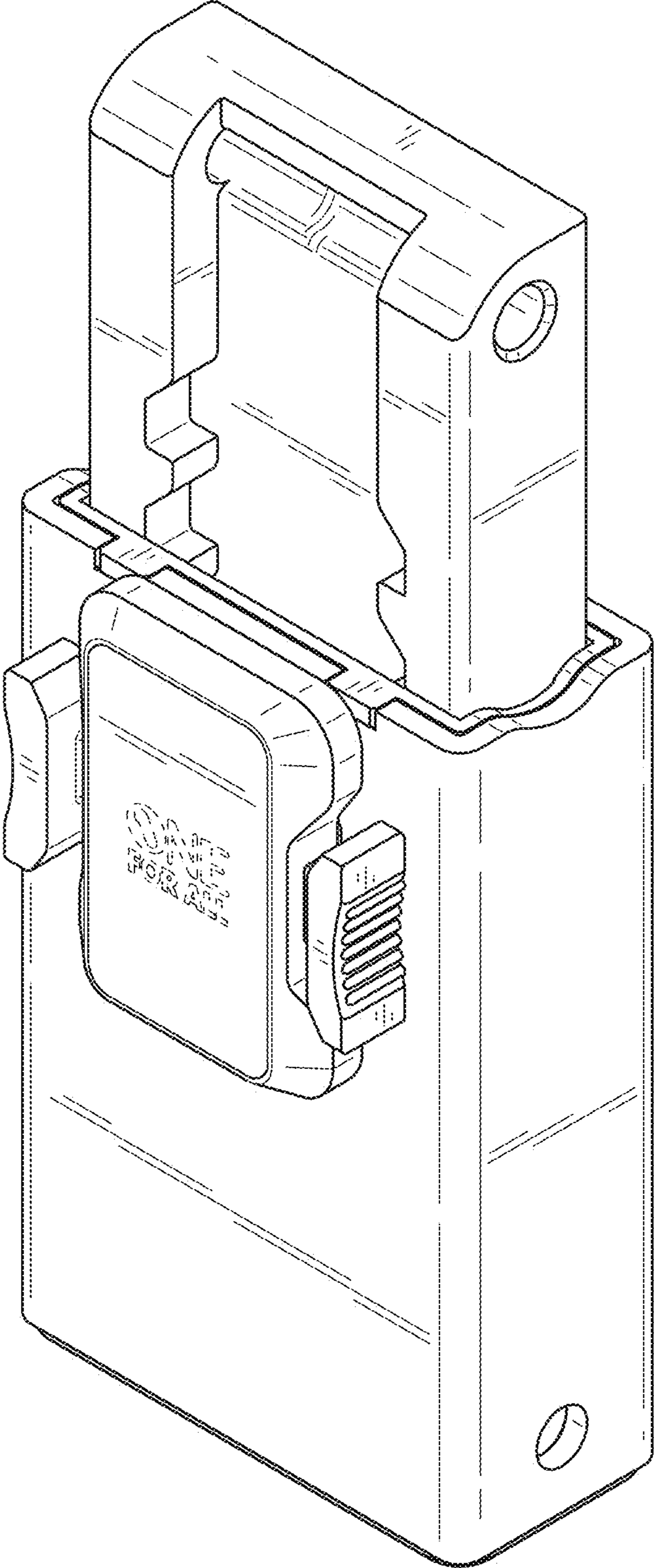


FIG. 8