



US00D977463S

(12) **United States Design Patent**
Zhou

(10) **Patent No.:** **US D977,463 S**

(45) **Date of Patent:** **** Feb. 7, 2023**

- (54) **MICROPHONE**
- (71) Applicant: **Shenzhen aierji Communication Co., Ltd.**, Shenzhen (CN)
- (72) Inventor: **Hong Zhou**, Neijiang (CN)
- (73) Assignee: **Shenzhen Aierji Communication Co., Ltd.**

- 4,622,507 A * 11/1986 Persen H01M 10/46
320/DIG. 23
- D295,404 S * 4/1988 Tokiyama D14/137
- D307,012 S * 4/1990 Berkheij D14/191
- 4,972,508 A * 11/1990 King H04B 1/086
455/347
- D349,096 S * 7/1994 Hyvonen D13/107
- 5,859,594 A * 1/1999 King G08B 5/225
340/7.43

(Continued)

(**) Term: **15 Years**

FOREIGN PATENT DOCUMENTS

(21) Appl. No.: **29/773,468**

- CN 305947947 * 7/2020
- TW 179473-0001 * 9/2015

(22) Filed: **Mar. 9, 2021**

Primary Examiner — Paula Allen Greene

(51) **LOC (14) Cl.** **14-01**

(74) *Attorney, Agent, or Firm* — Justin Lampel

(52) **U.S. Cl.**
USPC **D14/225**

(57) **CLAIM**

(58) **Field of Classification Search**
 USPC D14/225, 217, 188, 155, 191, 192, 140,
 D14/240, 243, 256, 229; D13/168;
 381/380, 381, 111, 113, 122, 355
 CPC H04R 25/00; H04R 1/08; H04R 11/04;
 H04R 3/00; H04R 9/08; H04R 1/1091;
 H01R 39/00; H04M 9/00
 See application file for complete search history.

The ornamental design for a microphone, as shown and described.

DESCRIPTION

(56) **References Cited**

U.S. PATENT DOCUMENTS

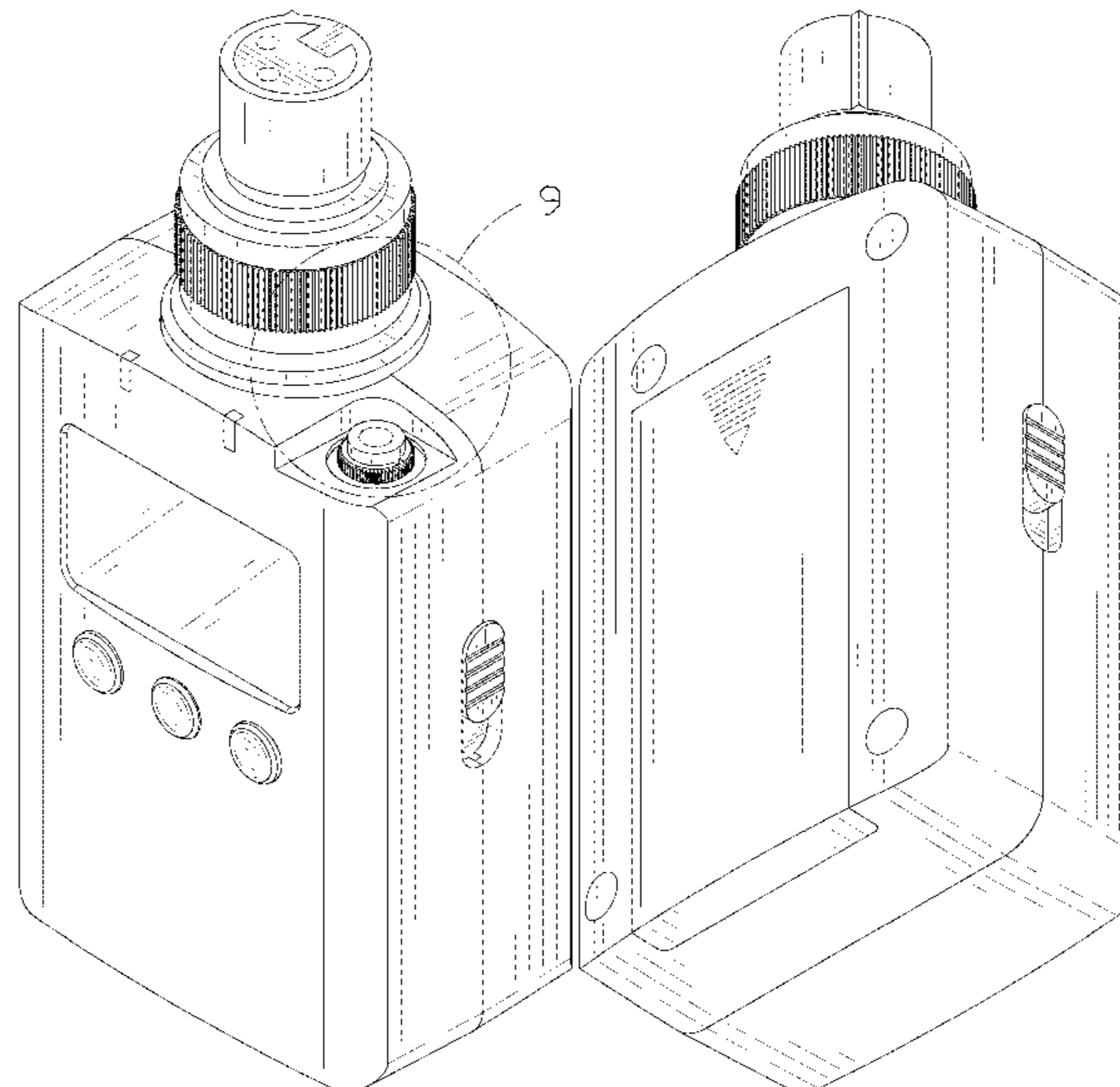
- 2,910,539 A * 10/1959 Hartsfield H04R 19/04
381/174
- 3,007,012 A * 10/1961 Olson H04R 19/04
381/174
- 3,718,862 A * 2/1973 Norris H04R 1/08
455/117
- 4,199,721 A * 4/1980 Ono H04B 1/3822
455/77
- 4,396,800 A * 8/1983 McDonnell H04R 3/005
379/167.01
- D272,244 S * 1/1984 Scheid D14/191
- D277,852 S * 3/1985 Watson D14/228

FIG. 1 is a front, right, and top perspective view of a microphone, showing my design.
 FIG. 2 is a rear, left, and bottom perspective view thereof.
 FIG. 3 is a front elevation view thereof.
 FIG. 4 is a rear elevation view thereof.
 FIG. 5 is a left side elevation view thereof.
 FIG. 6 is a right side elevation view thereof.
 FIG. 7 is a top plan view thereof.
 FIG. 8 is a bottom plan view thereof; and,
 FIG. 9 is a partial enlarged view of an area labeled 9 in FIG. 1 comprising an adjusting knob.

The broken lines shown in the drawings are included for the purpose of illustrating portions of the microphone that form no part of the claimed design.

The dot-dash broken lines encircling portions of the microphone in FIG. 1 and illustrated in the enlarged view of FIG. 9 form no part of the claimed design.

1 Claim, 9 Drawing Sheets



(56)

References Cited

U.S. PATENT DOCUMENTS

D405,424 S * 2/1999 Winkler D13/168
D412,705 S * 8/1999 Laiacona D14/214
D439,852 S * 4/2001 Hisatsune D10/104.1
D441,744 S * 5/2001 Miyazaki D14/137
D442,932 S * 5/2001 Koike D14/155
6,232,785 B1 * 5/2001 Kelsey G01R 31/50
324/555
D451,904 S * 12/2001 Bauman D14/188
6,463,159 B1 * 10/2002 Ming-Cheng H04R 1/08
429/100
D490,706 S * 6/2004 Smith D9/434
D549,209 S * 8/2007 Bauman D14/155
D567,768 S * 4/2008 Lee D13/168
D579,887 S * 11/2008 Yamane D16/202
D599,786 S * 9/2009 Metlen D14/225
D604,723 S * 11/2009 Bodley D14/225
D609,701 S * 2/2010 Hou D14/240
D628,560 S * 12/2010 Bodley D14/217
D649,139 S * 11/2011 Waay D14/225
8,180,087 B2 * 5/2012 Wu H01R 31/06
381/189
D686,185 S * 7/2013 Nee D14/155
D791,742 S * 7/2017 Lai D14/225
D893,445 S * 8/2020 Wall D14/188
D934,206 S * 10/2021 Liu D14/225
2005/0157892 A1 * 7/2005 Chiu H04B 5/06
381/113
2006/0217162 A1 * 9/2006 Bodley H04R 1/406
455/90.3
2011/0044477 A1 * 2/2011 Huang H04R 1/083
381/122

* cited by examiner

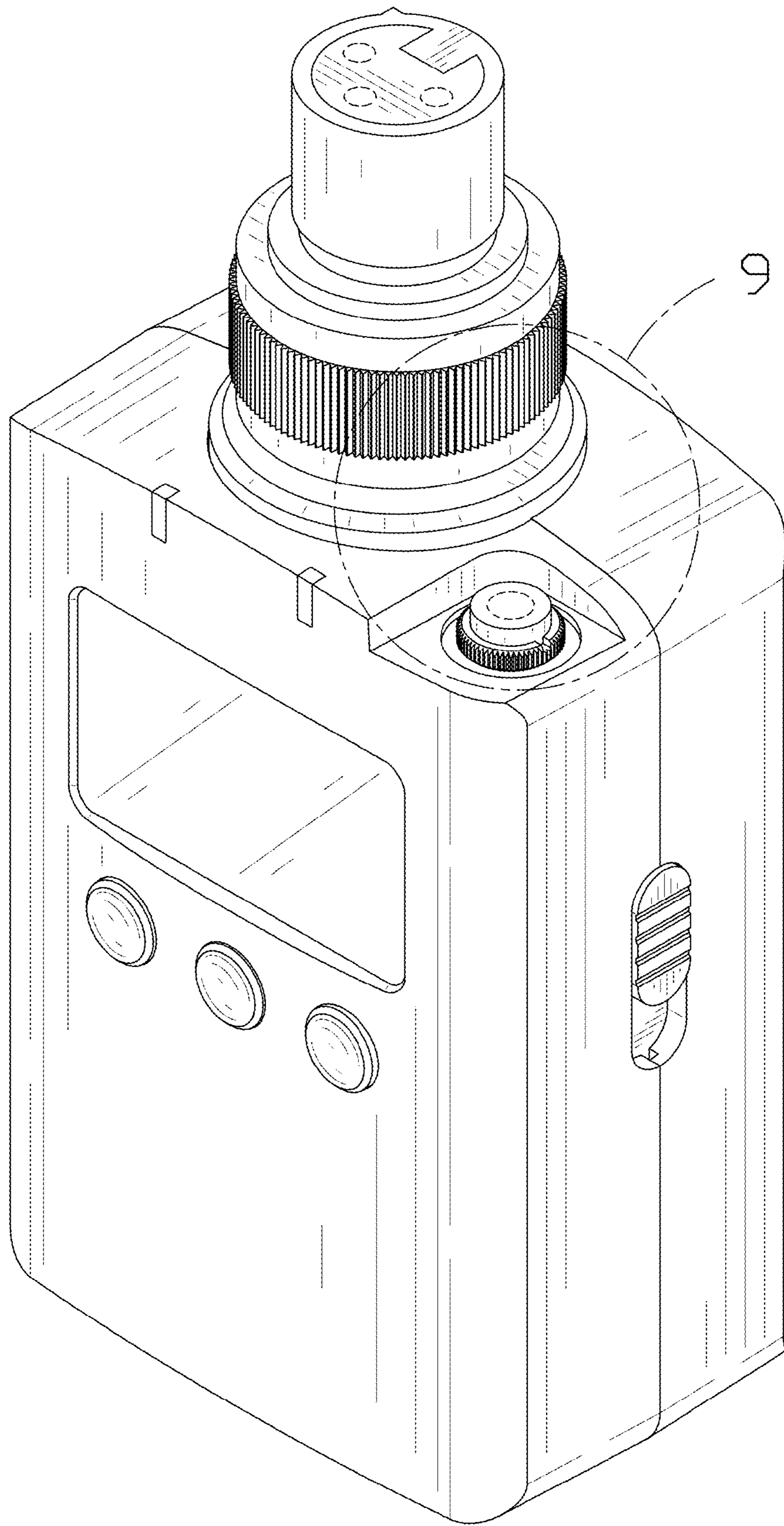


FIG. 1

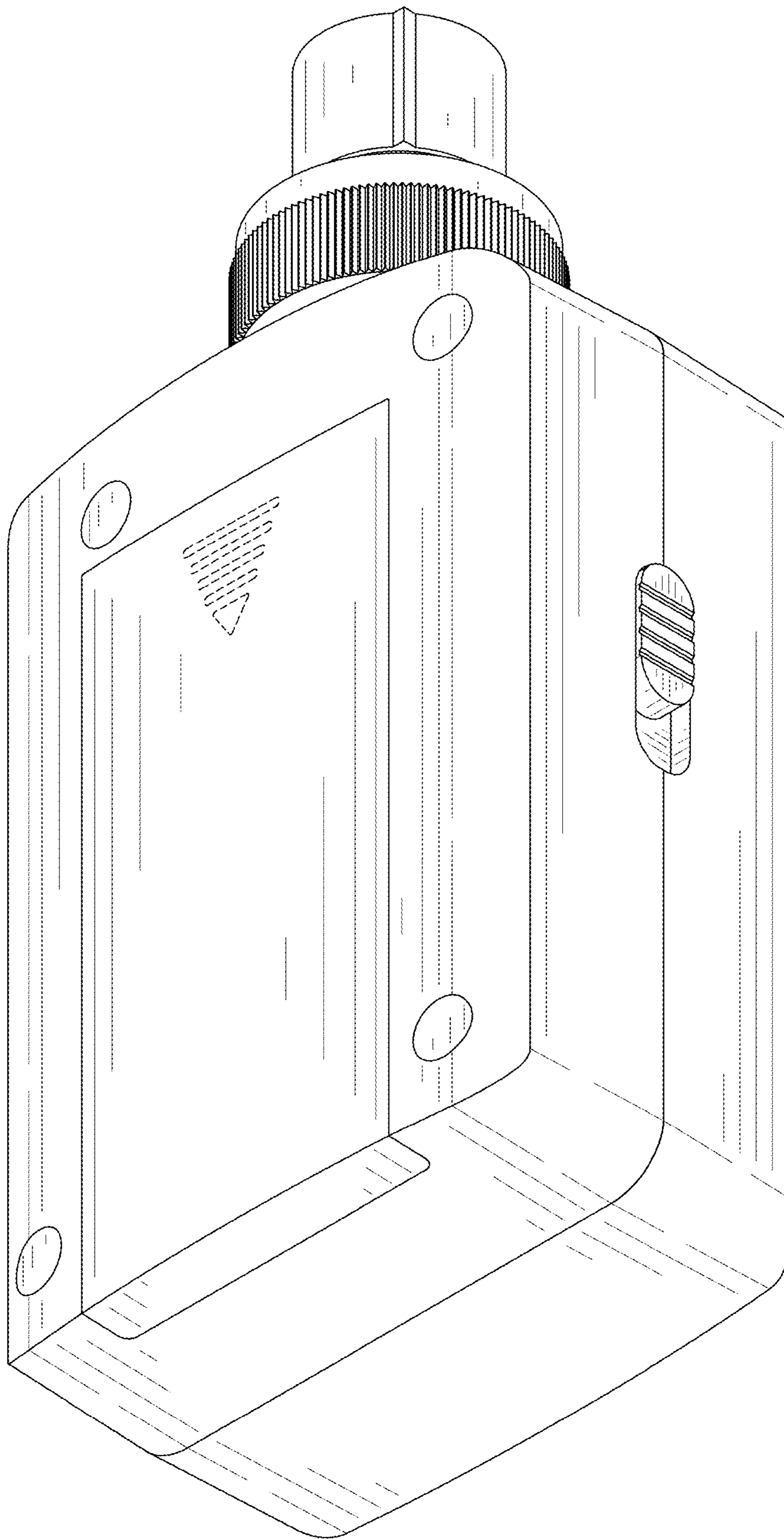


FIG. 2

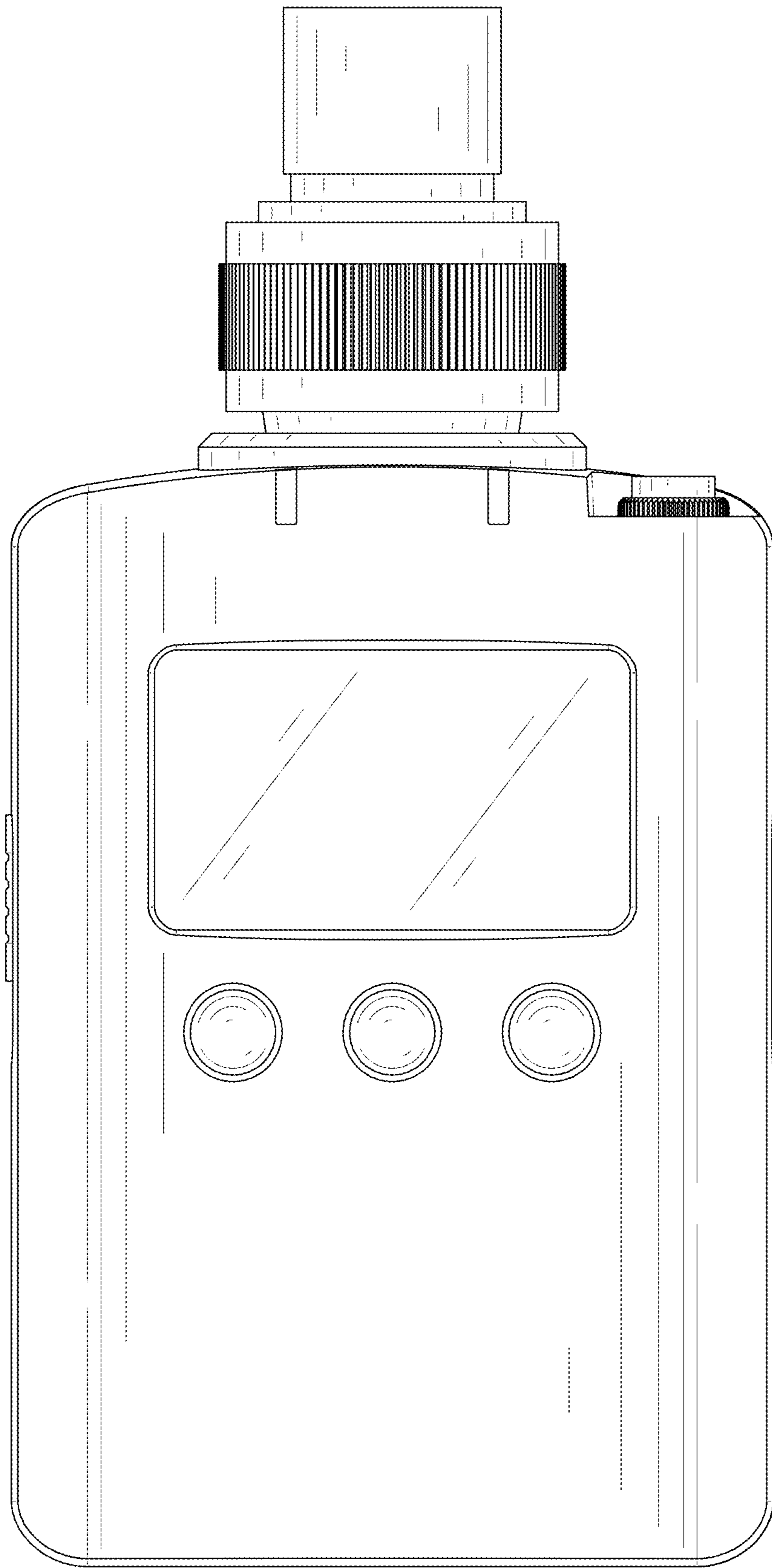


FIG. 3

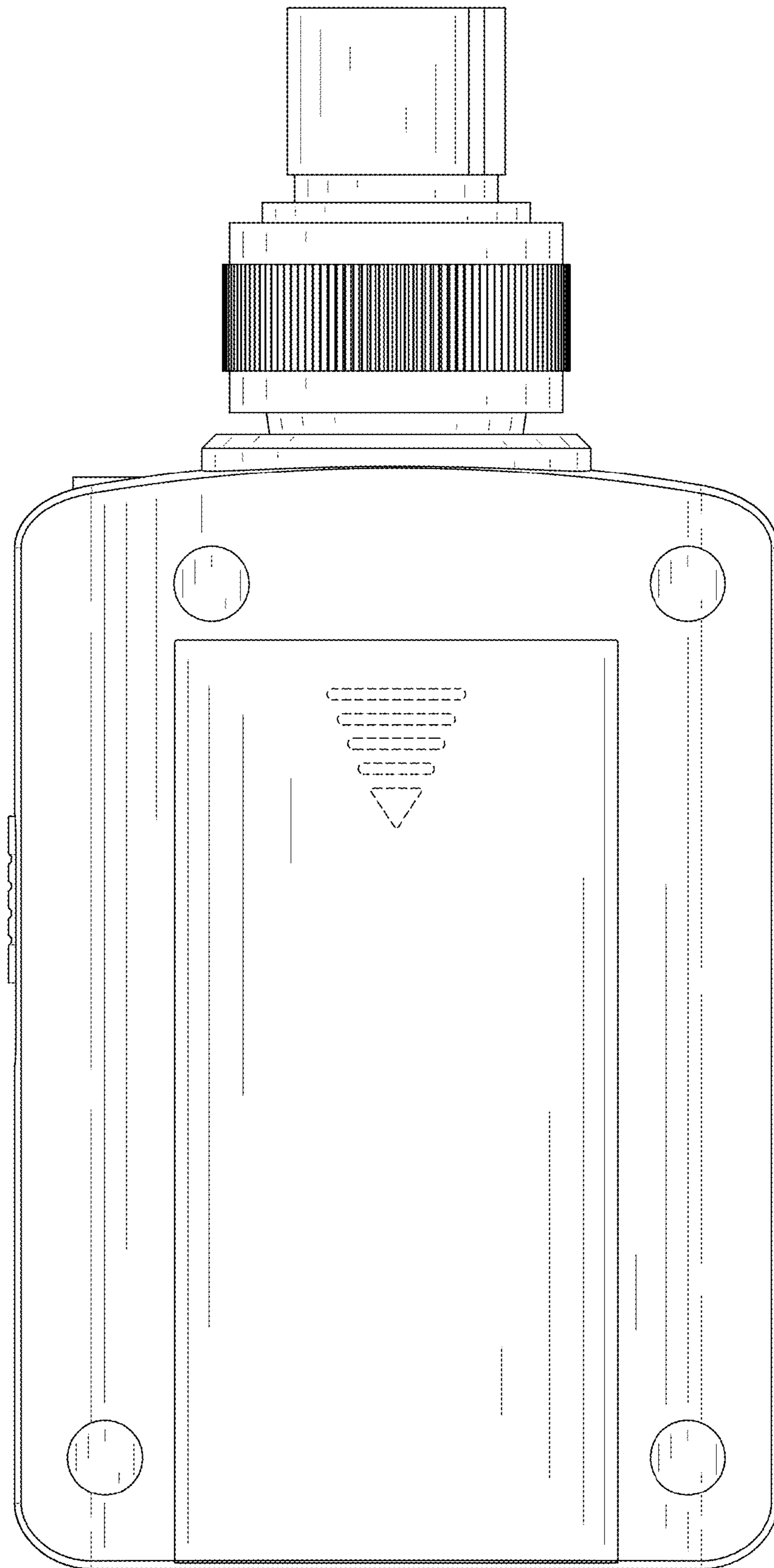


FIG. 4

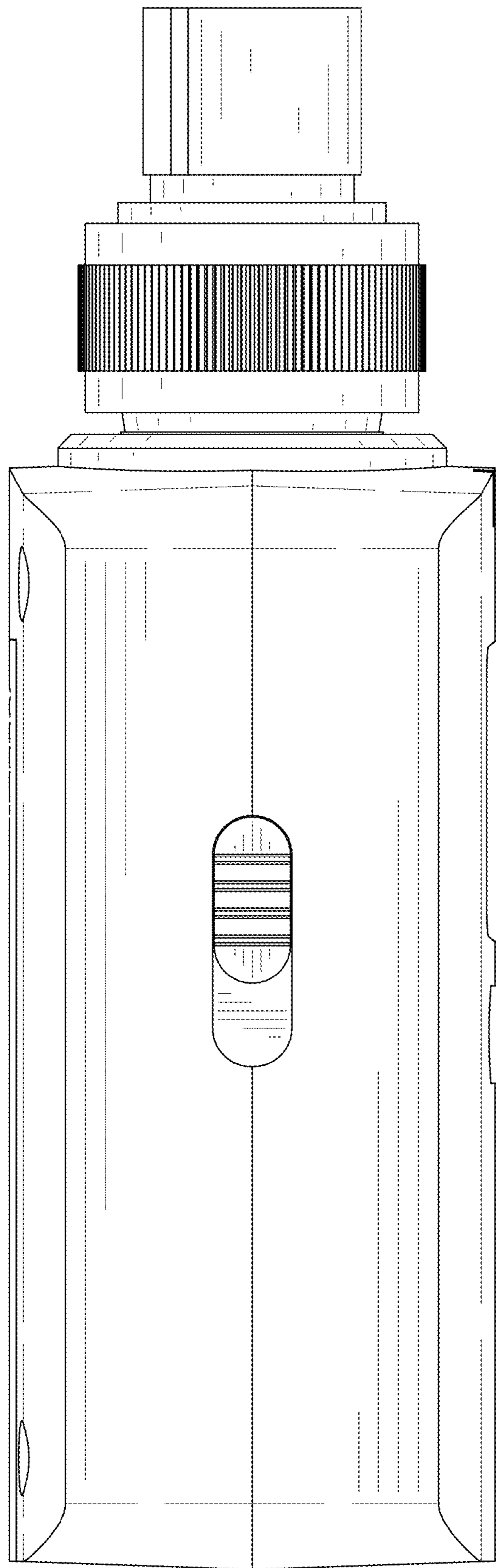


FIG. 5

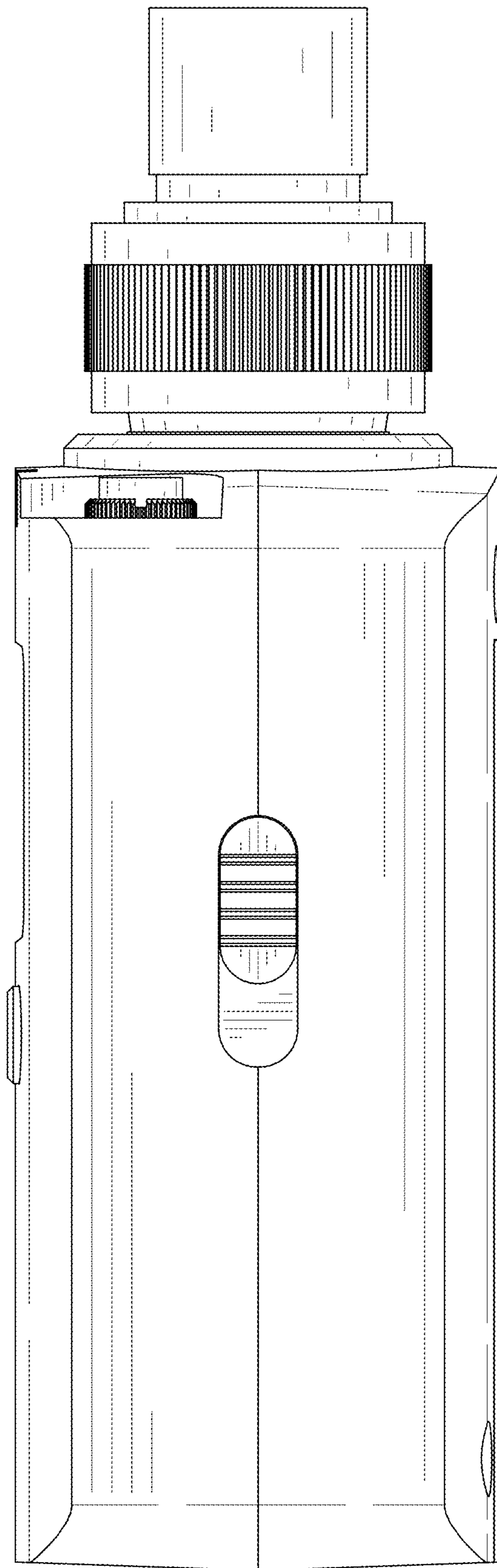


FIG. 6

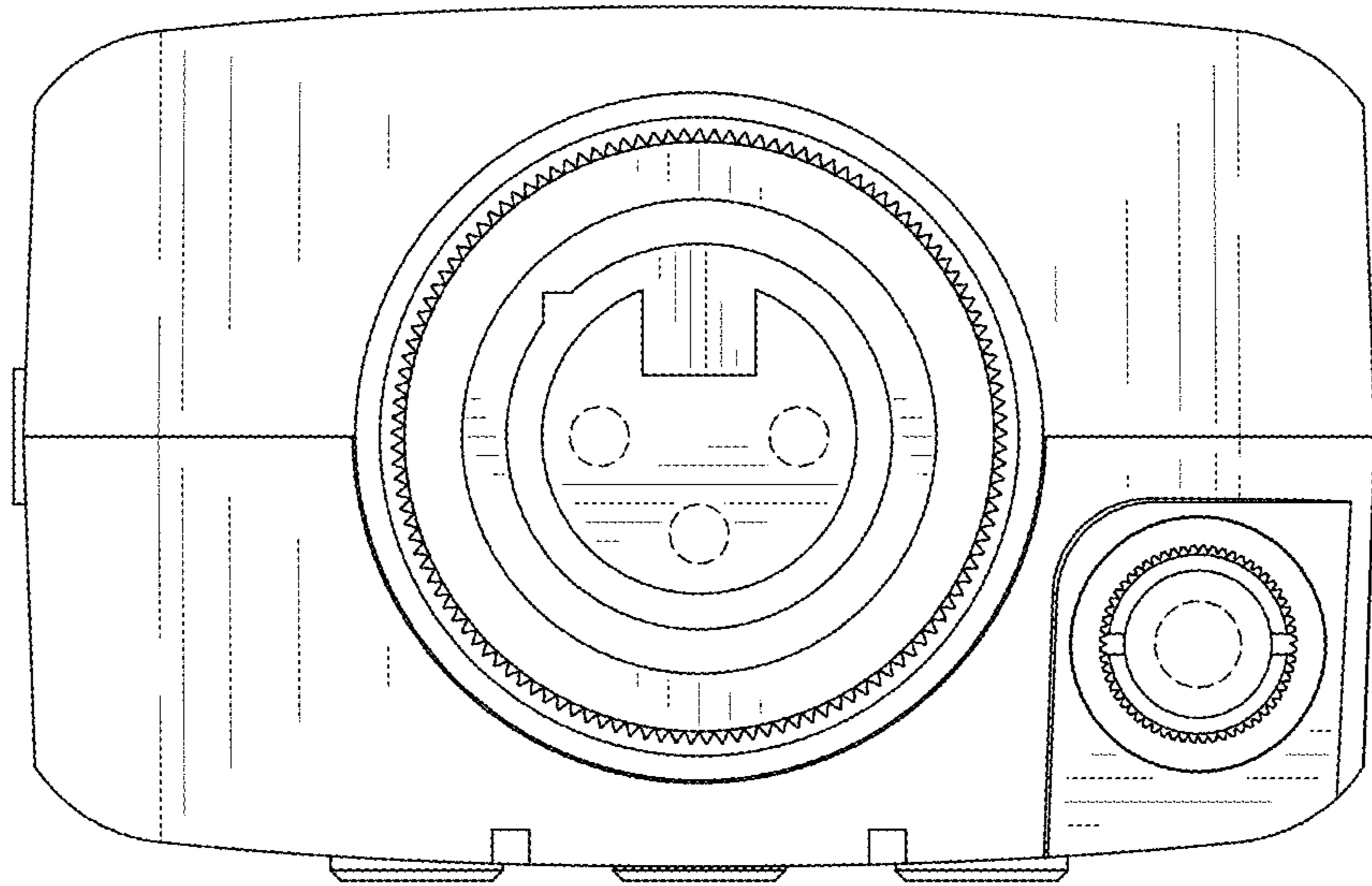


FIG. 7

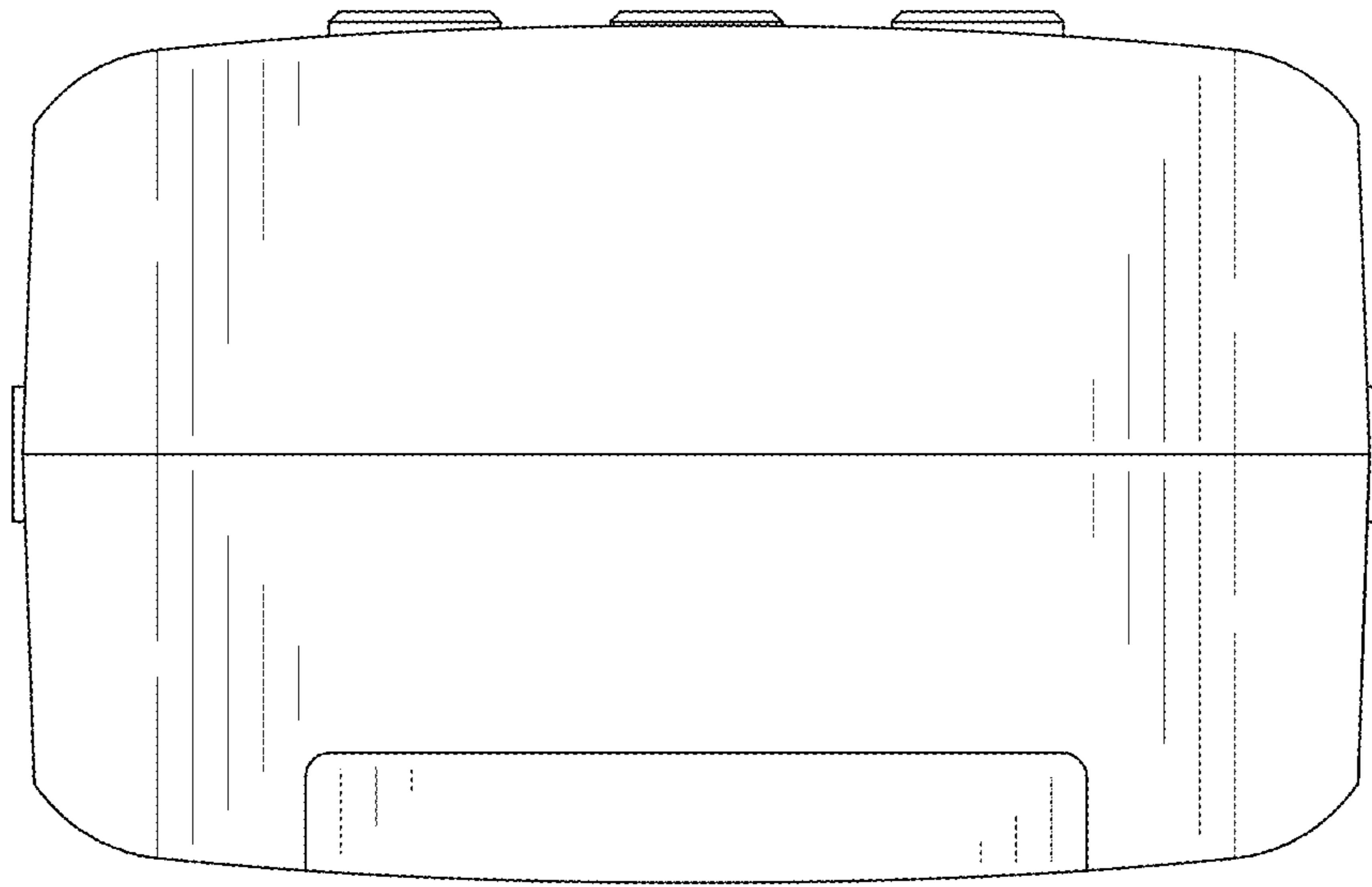


FIG. 8

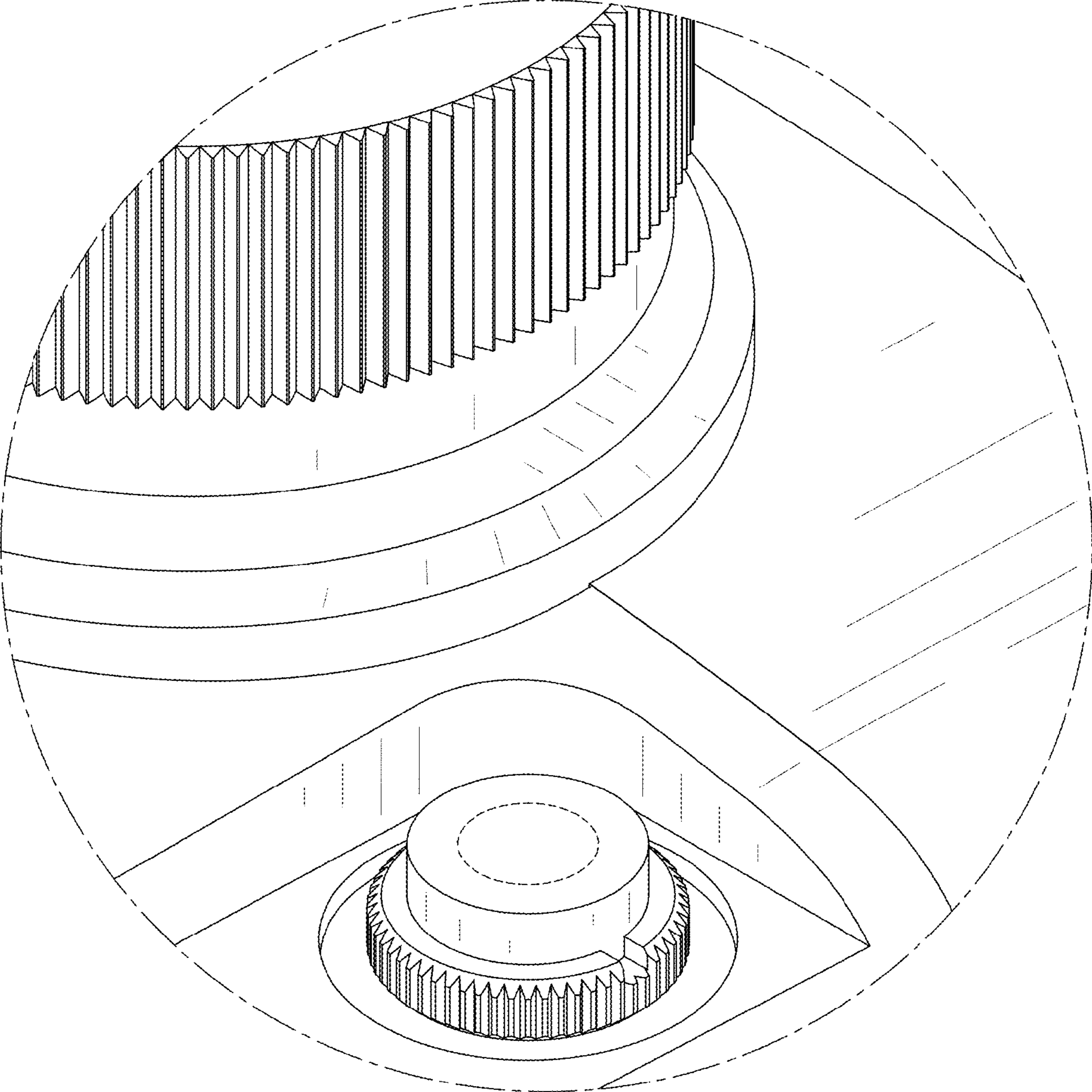


FIG. 9