



US00D977461S

(12) **United States Design Patent** (10) **Patent No.:** **US D977,461 S**  
**Lin** (45) **Date of Patent:** **\*\* Feb. 7, 2023**

(54) **EARPHONE**

(71) Applicant: **Shenzhen Shengling Technology Co., Ltd**, Shenzhen (CN)

(72) Inventor: **Hua Lin**, Shenzhen (CN)

(\*\*) Term: **15 Years**

(21) Appl. No.: **29/861,766**

(22) Filed: **Dec. 2, 2022**

(51) **LOC (14) Cl.** ..... **14-01**

(52) **U.S. Cl.**  
USPC ..... **D14/223**

(58) **Field of Classification Search**  
USPC ..... D14/223, 205; D13/108; D24/174;  
128/864-866; 381/380-381  
CPC ..... H04R 1/10; H04R 25/00; H04R 25/02;  
H04R 1/1066; H04R 1/1016; H04R  
5/033; H04R 5/0335; H04R 1/1058;  
H04R 1/1083; H04R 1/1091; H02J  
7/0044

See application file for complete search history.

(56) **References Cited**

**U.S. PATENT DOCUMENTS**

D487,077 S \* 2/2004 Obata ..... D14/223  
D515,070 S \* 2/2006 Andre ..... D14/205  
D554,109 S \* 10/2007 Ledbetter ..... D14/223  
D555,152 S \* 11/2007 Wang ..... D14/223  
D557,689 S \* 12/2007 Huang ..... D14/223  
D573,977 S \* 7/2008 Ledbetter ..... D14/205  
D671,531 S \* 11/2012 Kim ..... D14/223  
D681,015 S \* 4/2013 Akana ..... H04R 1/10  
D14/223  
8,515,116 B2 \* 8/2013 Lee ..... H04R 1/1041  
381/373  
9,042,588 B2 \* 5/2015 Aase ..... H04R 1/1091  
381/74  
D733,101 S \* 6/2015 Pi ..... D14/223  
D869,445 S \* 12/2019 Hu ..... D14/223

D878,337 S \* 3/2020 Yang ..... D14/223  
D885,373 S \* 5/2020 Lundback ..... D14/223  
D900,065 S \* 10/2020 Distefano ..... D14/223  
D901,457 S \* 11/2020 Zhang ..... D14/223  
D903,639 S \* 12/2020 Yang ..... D14/223  
D914,646 S \* 3/2021 Yang ..... D14/223  
D914,648 S \* 3/2021 Zhou ..... D14/223  
D914,652 S \* 3/2021 Chen ..... D14/223  
D916,684 S \* 4/2021 Fang ..... D14/223  
D916,685 S \* 4/2021 Fang ..... D14/223

(Continued)

**FOREIGN PATENT DOCUMENTS**

CN 306401934 \* 3/2021  
CN 306904722 \* 12/2021

(Continued)

*Primary Examiner* — Paula Allen Greene

(74) *Attorney, Agent, or Firm* — Daniel M. Cohn;  
Howard M. Cohn

(57) **CLAIM**

The ornamental design for an earphone, as shown and described.

**DESCRIPTION**

FIG. 1 is a perspective view of an earphone showing my new design;

FIG. 2 is another perspective view thereof;

FIG. 3 is a front elevational view thereof;

FIG. 4 is a rear elevational view thereof;

FIG. 5 is a left side elevational view thereof;

FIG. 6 is a right side elevational view thereof;

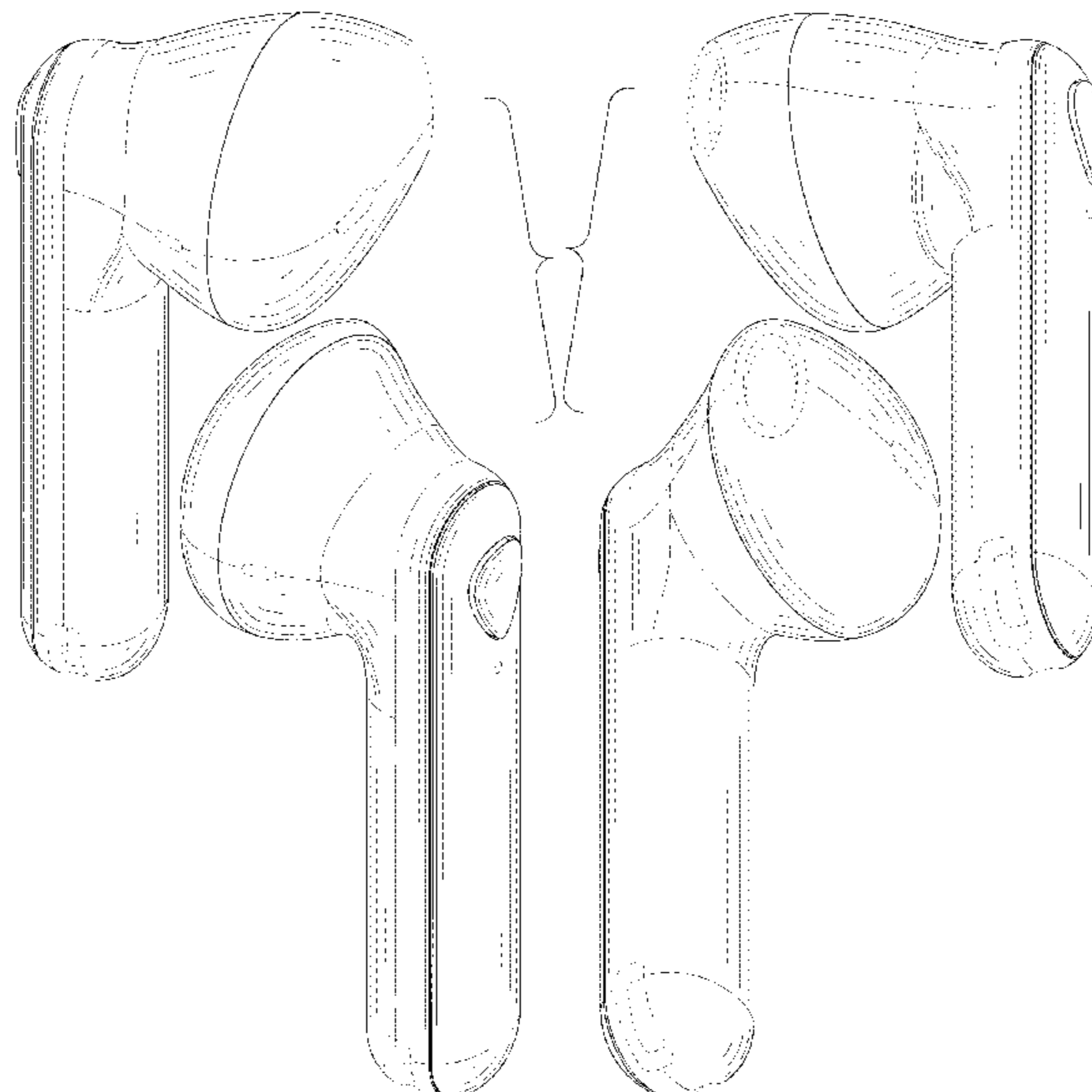
FIG. 7 is a top plan view thereof;

FIG. 8 is a bottom plan view thereof; and,

FIG. 9 is a perspective view of the earphone where the earphone is received in the charging case.

The dash-dash broken lines in the drawings depict portions of the earphone that form no part of the claimed design.

**1 Claim, 9 Drawing Sheets**



(56)

References Cited

U.S. PATENT DOCUMENTS

D920,291 S \* 5/2021 Hou ..... D14/223  
 D923,609 S \* 6/2021 Li ..... D14/223  
 D924,851 S \* 7/2021 Li ..... D14/223  
 D925,500 S \* 7/2021 Chen ..... D14/223  
 D926,733 S \* 8/2021 Wu ..... D14/223  
 D932,468 S \* 10/2021 Xin ..... D14/223  
 D936,635 S \* 11/2021 DeLuna ..... D14/215  
 D936,637 S \* 11/2021 Lai ..... D14/223  
 D941,276 S \* 1/2022 Levy ..... D14/223  
 D943,555 S \* 2/2022 Deng ..... D14/223  
 D948,484 S \* 4/2022 Zhang ..... D14/223  
 D949,833 S 4/2022 Akana et al.  
 D952,611 S 5/2022 Hong  
 D956,719 S \* 7/2022 Huang ..... D14/223  
 D962,898 S \* 9/2022 Deng ..... D14/223  
 D964,969 S \* 9/2022 Xun ..... D14/223  
 D967,070 S \* 10/2022 He ..... D14/223  
 D967,805 S \* 10/2022 Hong ..... D14/223  
 D967,807 S \* 10/2022 Lyu ..... D14/223  
 D968,371 S \* 11/2022 Ao ..... D14/223  
 D971,183 S \* 11/2022 He ..... D14/223  
 2009/0136074 A1\* 5/2009 Chang ..... H04R 1/06  
 381/380

2012/0003937 A1\* 1/2012 Zhong ..... H04M 1/6066  
 455/41.3  
 2012/0237074 A1\* 9/2012 Aase ..... H04R 1/1058  
 29/858  
 2013/0004011 A1\* 1/2013 Hayashida ..... H04R 1/345  
 381/380  
 2013/0336495 A1\* 12/2013 Burgett ..... A61B 5/6817  
 381/74  
 2020/0068283 A1\* 2/2020 Chou ..... H04R 1/1025  
 2020/0107098 A1\* 4/2020 DiFonzo ..... H01F 1/147  
 2020/0252715 A1\* 8/2020 Zhou ..... H04R 1/1016  
 2021/0014603 A1\* 1/2021 Wei ..... G01V 3/088  
 2021/0120328 A1\* 4/2021 Hedh ..... H04R 1/1041  
 2021/0266653 A1\* 8/2021 Cao ..... H04R 1/1075

FOREIGN PATENT DOCUMENTS

CN 307211751 \* 3/2022  
 CN 307278828 \* 4/2022  
 CN 307516716 \* 8/2022  
 EM 008124283-0002 \* 8/2020  
 EM 008649842-0001 \* 8/2021  
 GB 6191627 \* 2/2022  
 JP D1696912 \* 9/2021

\* cited by examiner

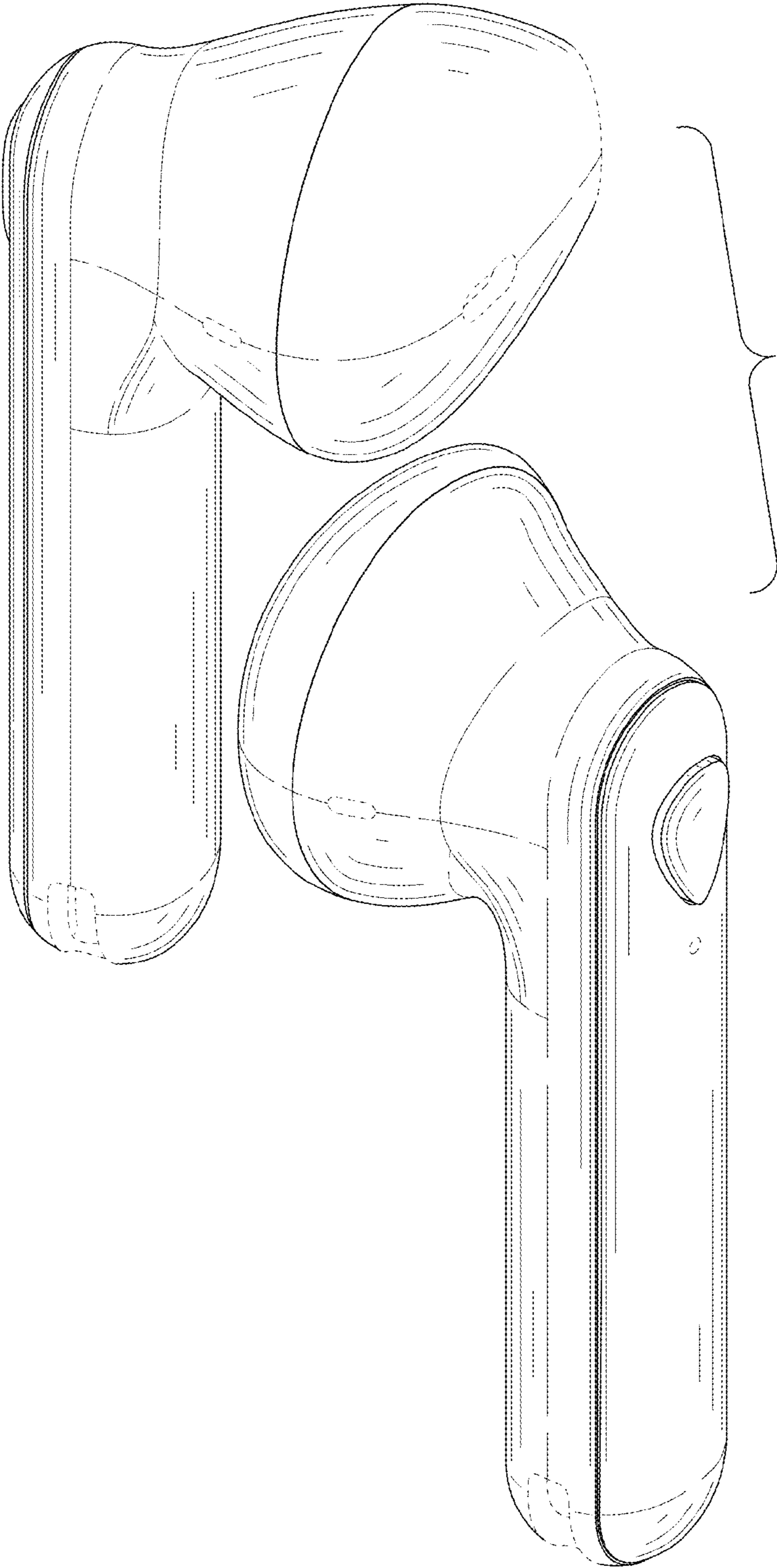


FIG. 1

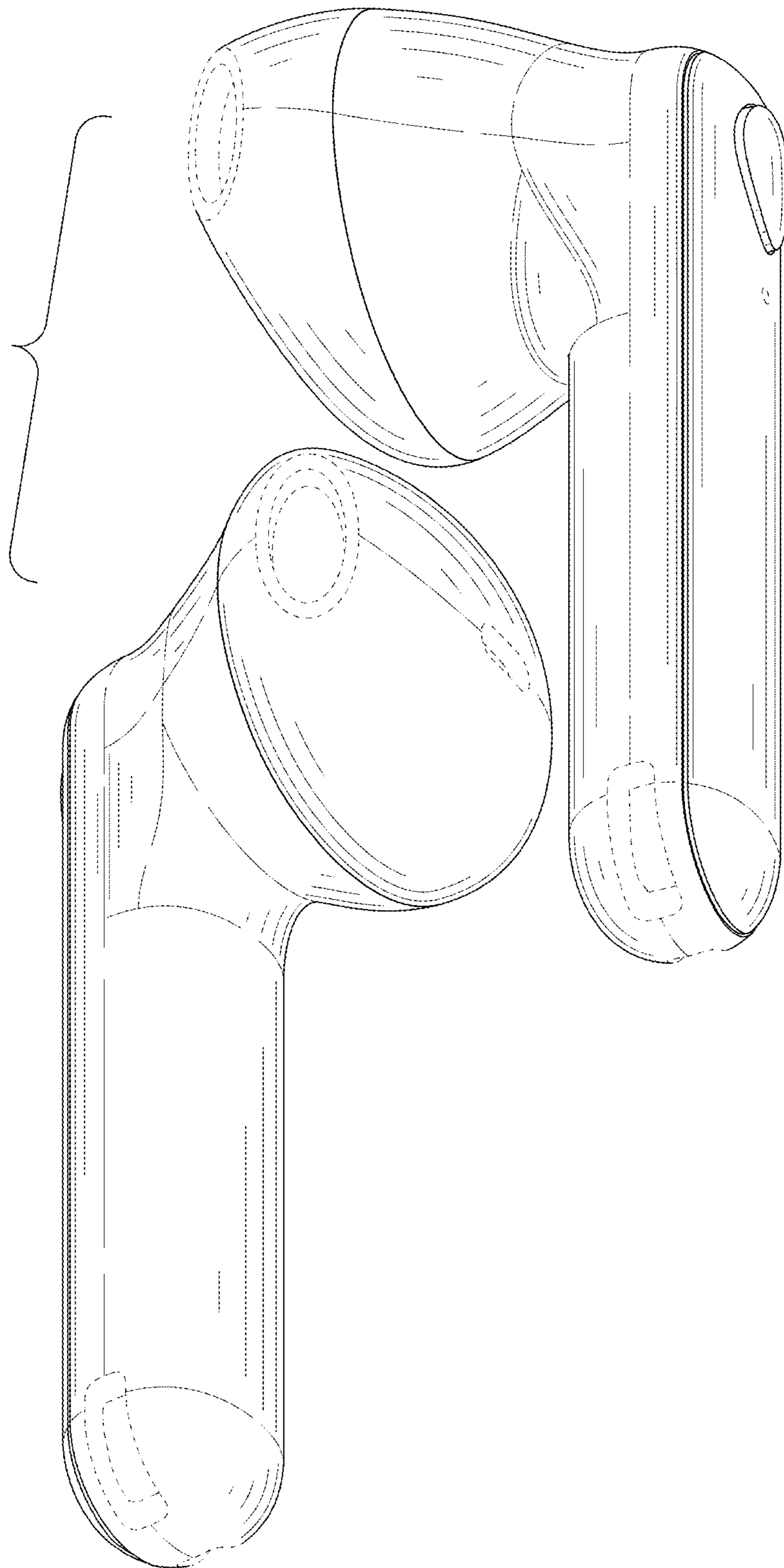


FIG. 2

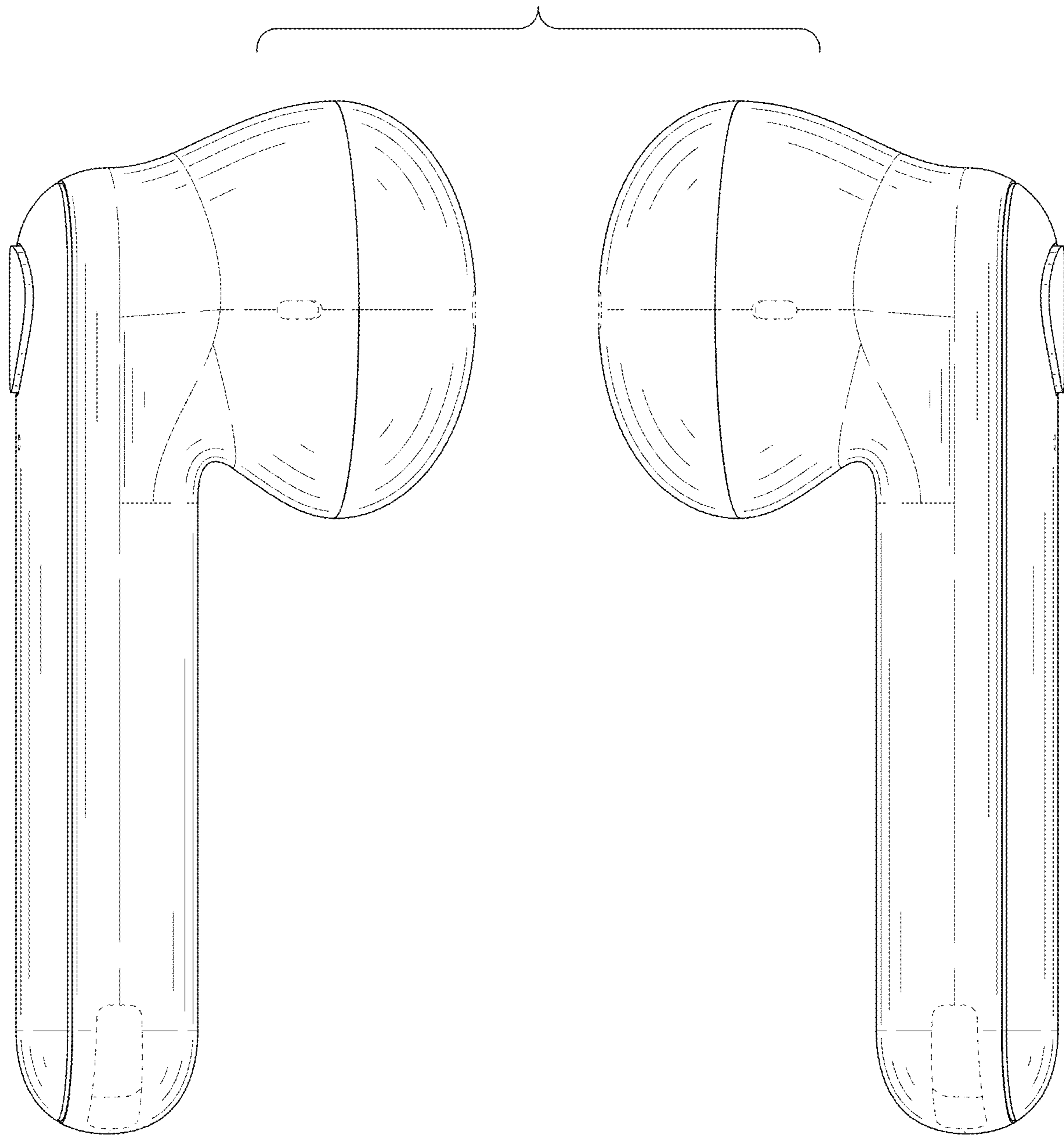


FIG. 3

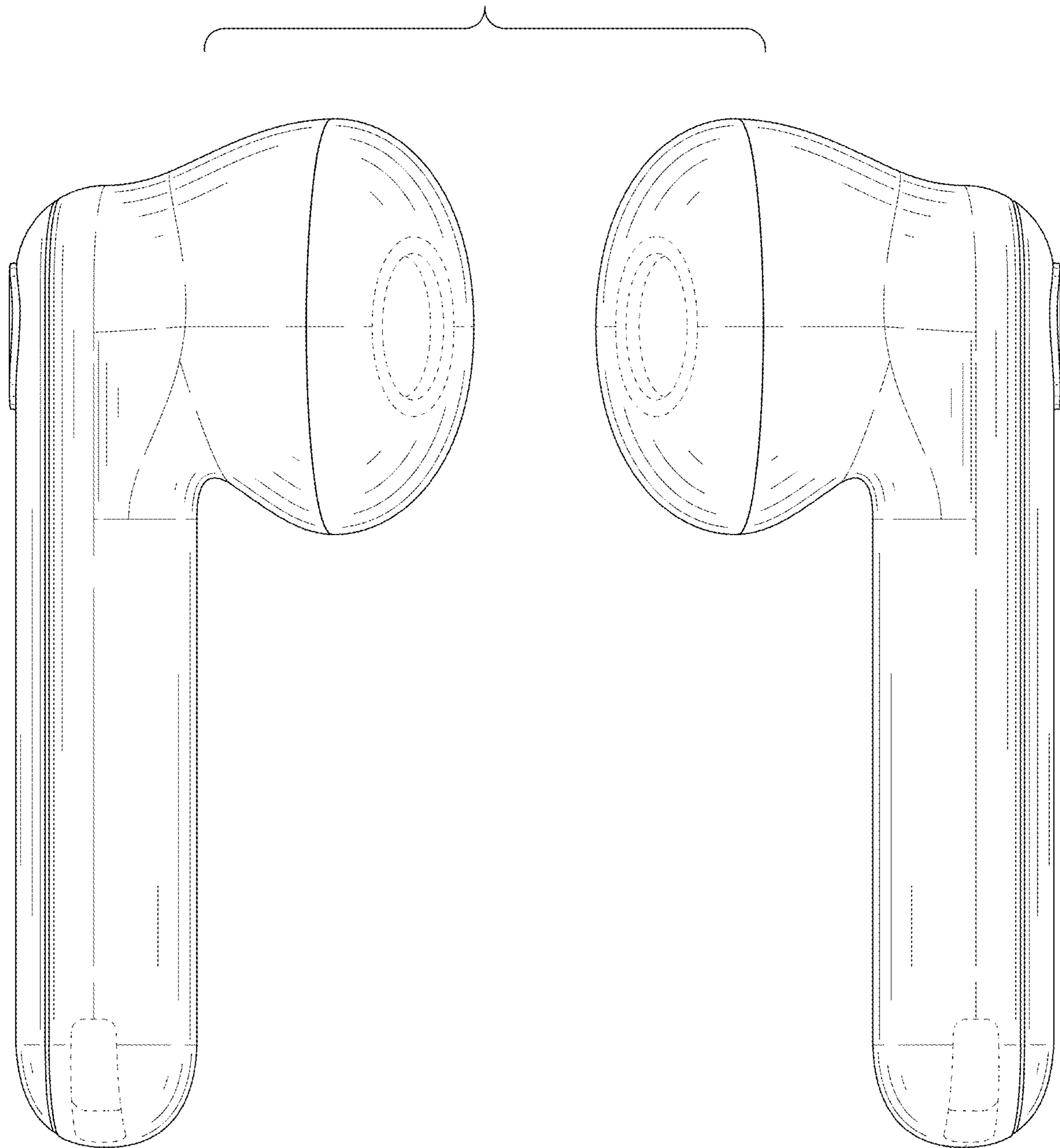


FIG. 4

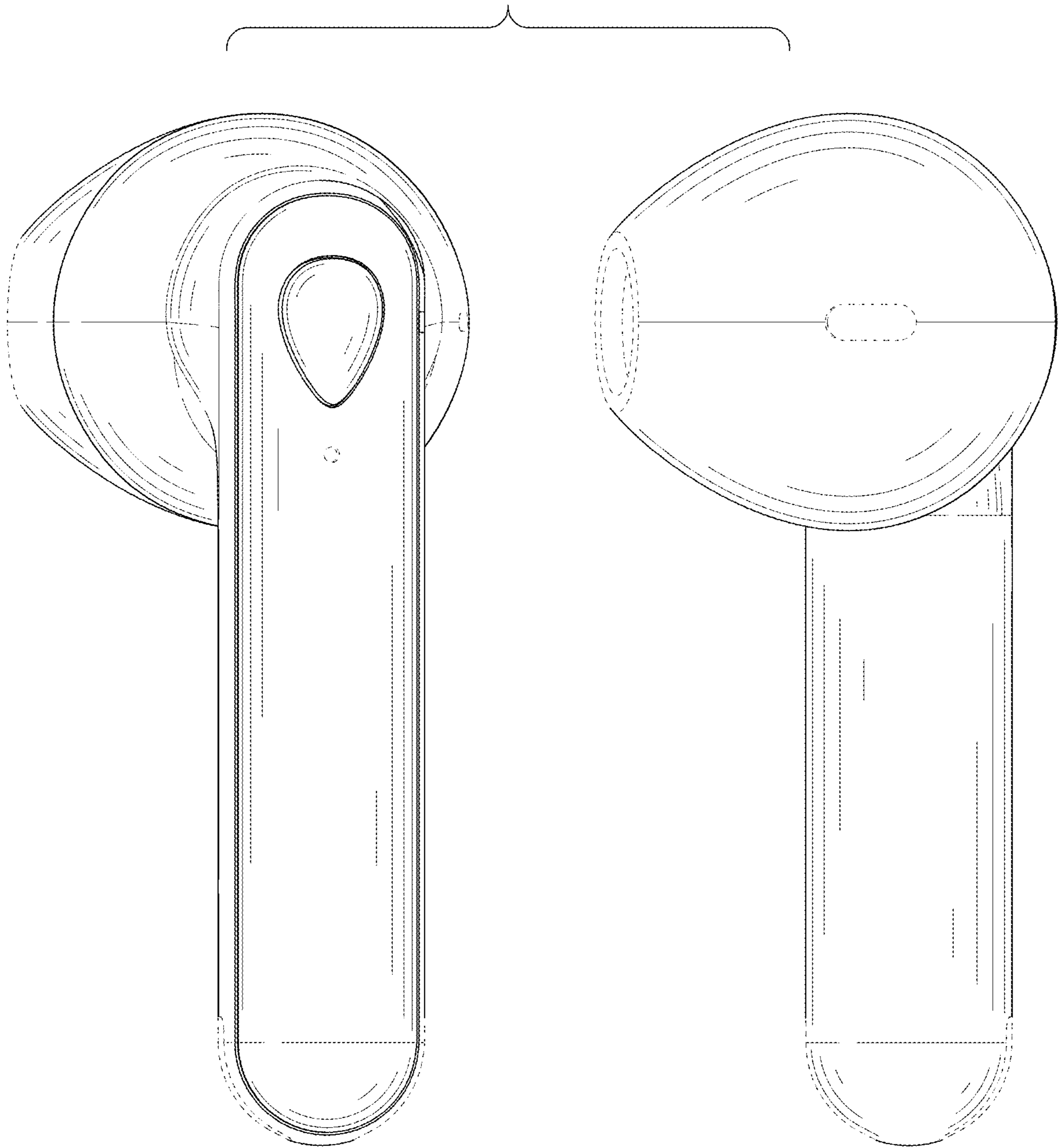


FIG. 5

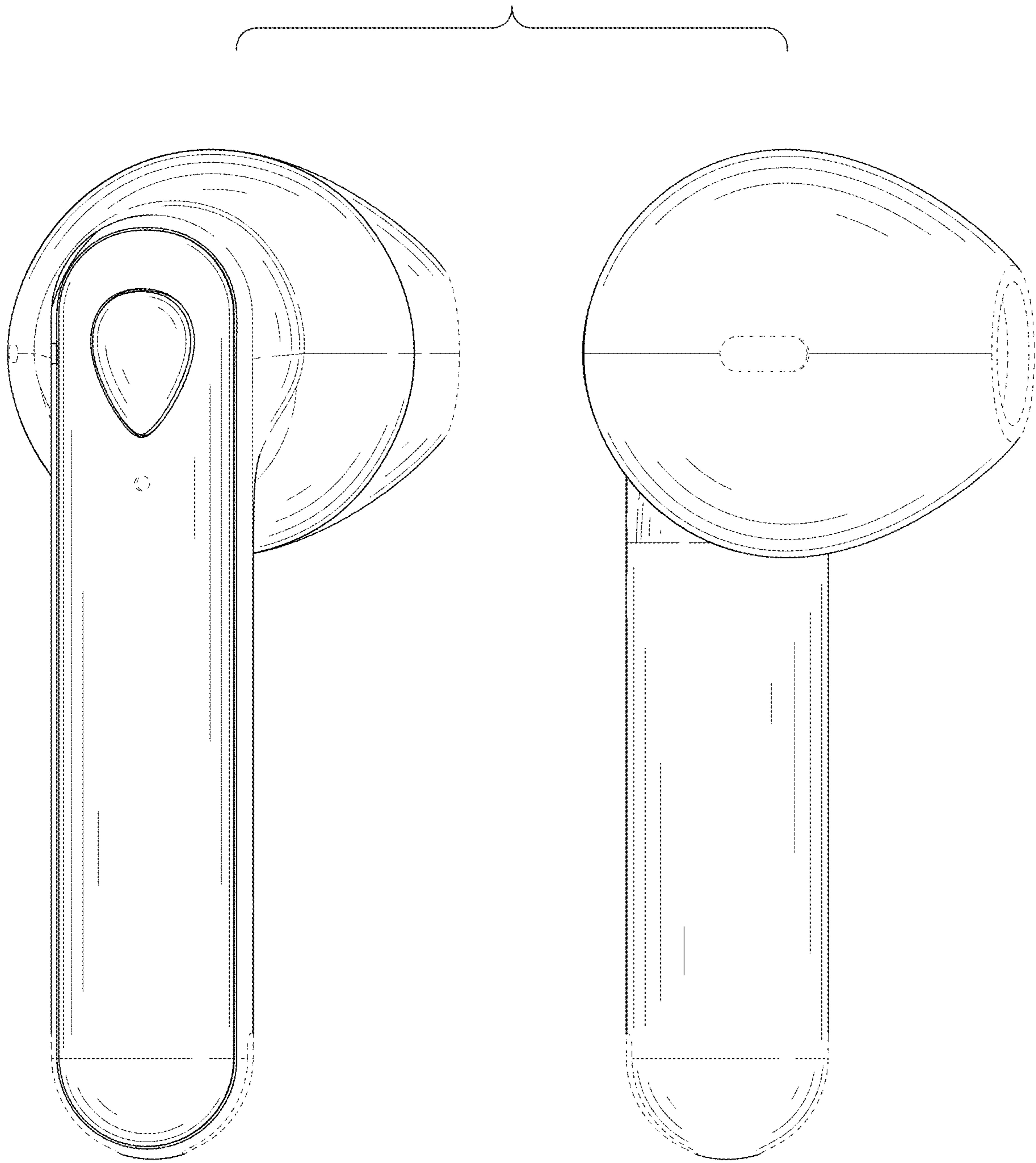


FIG. 6



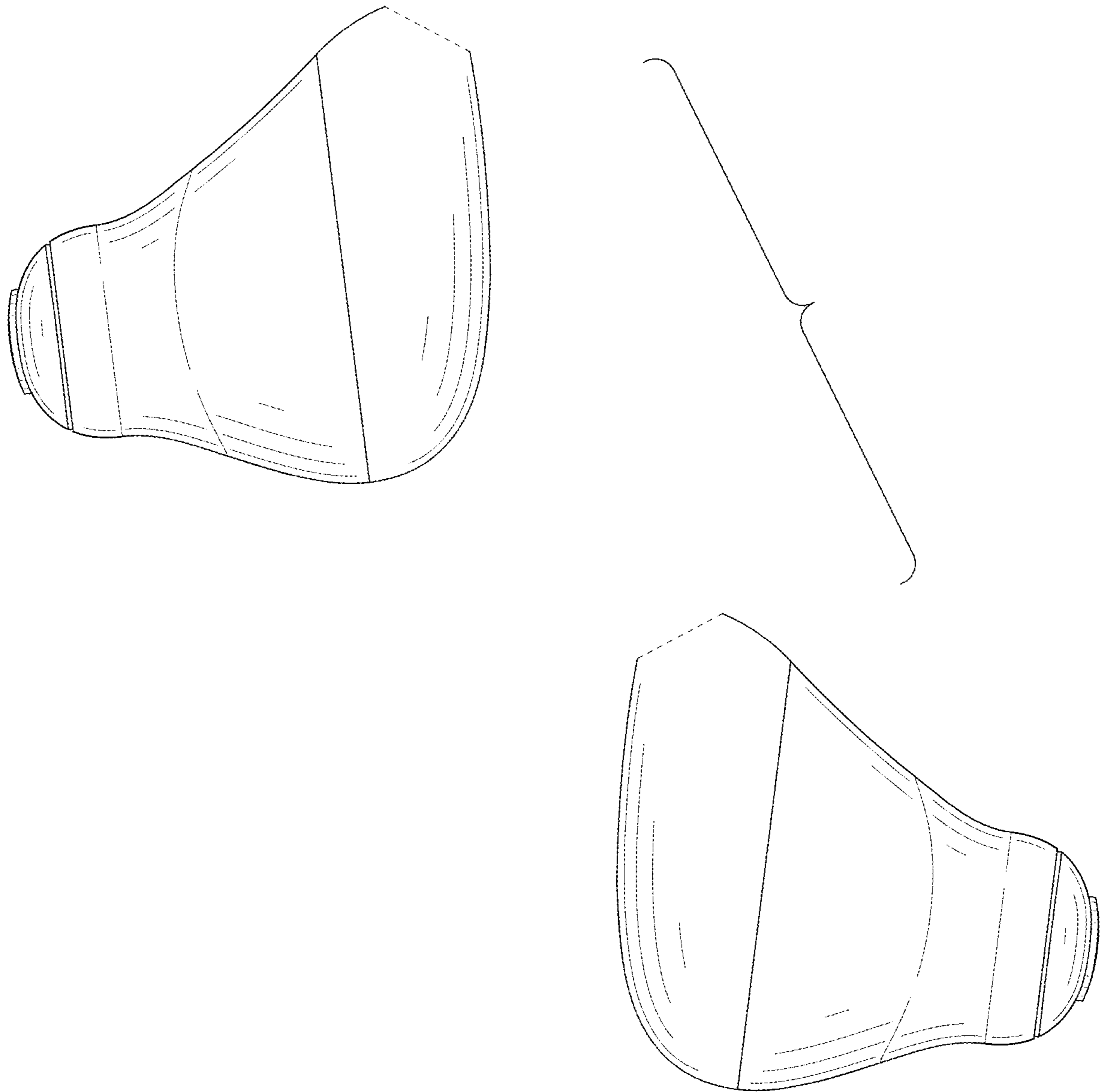


FIG. 7

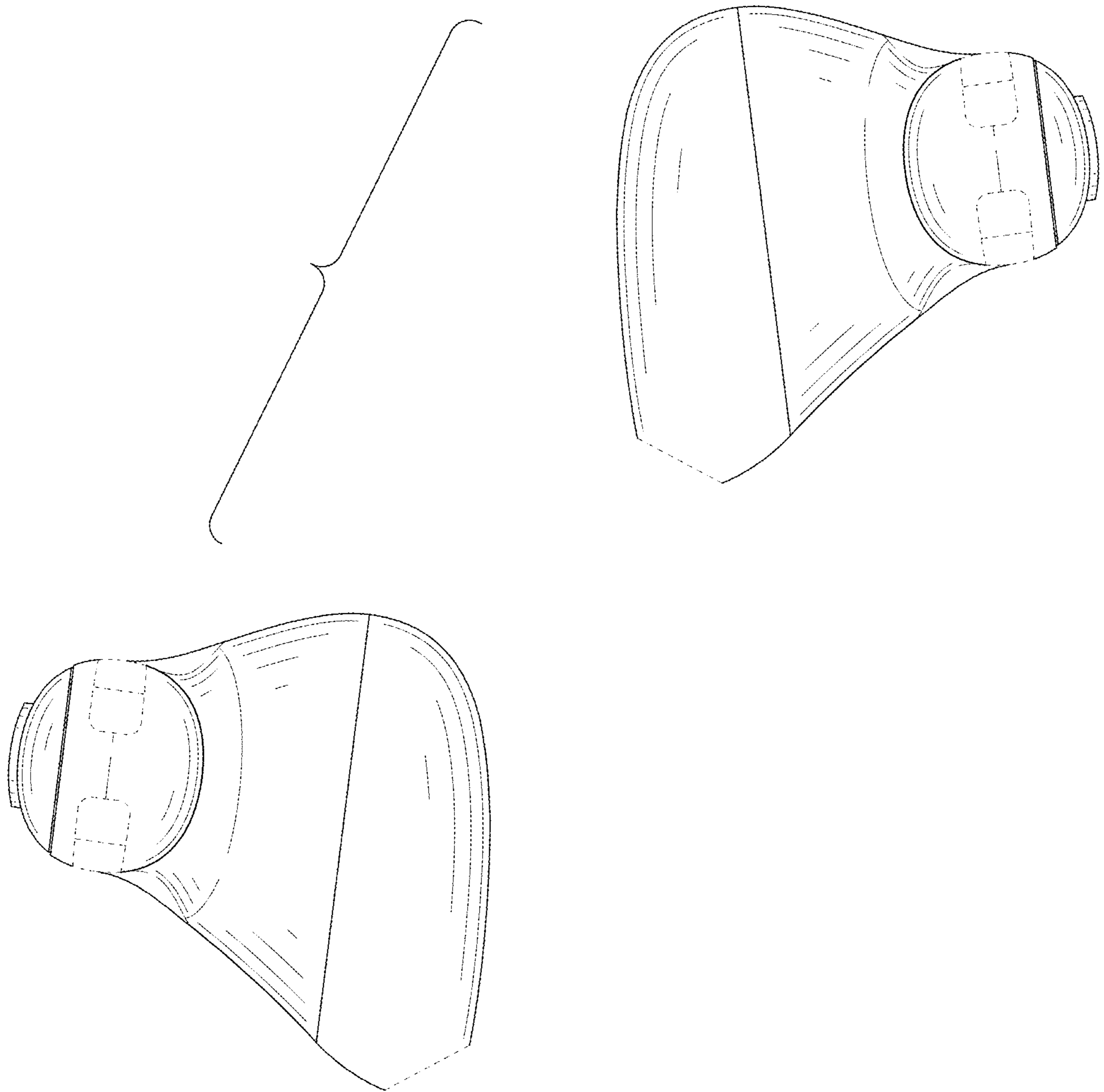


FIG. 8

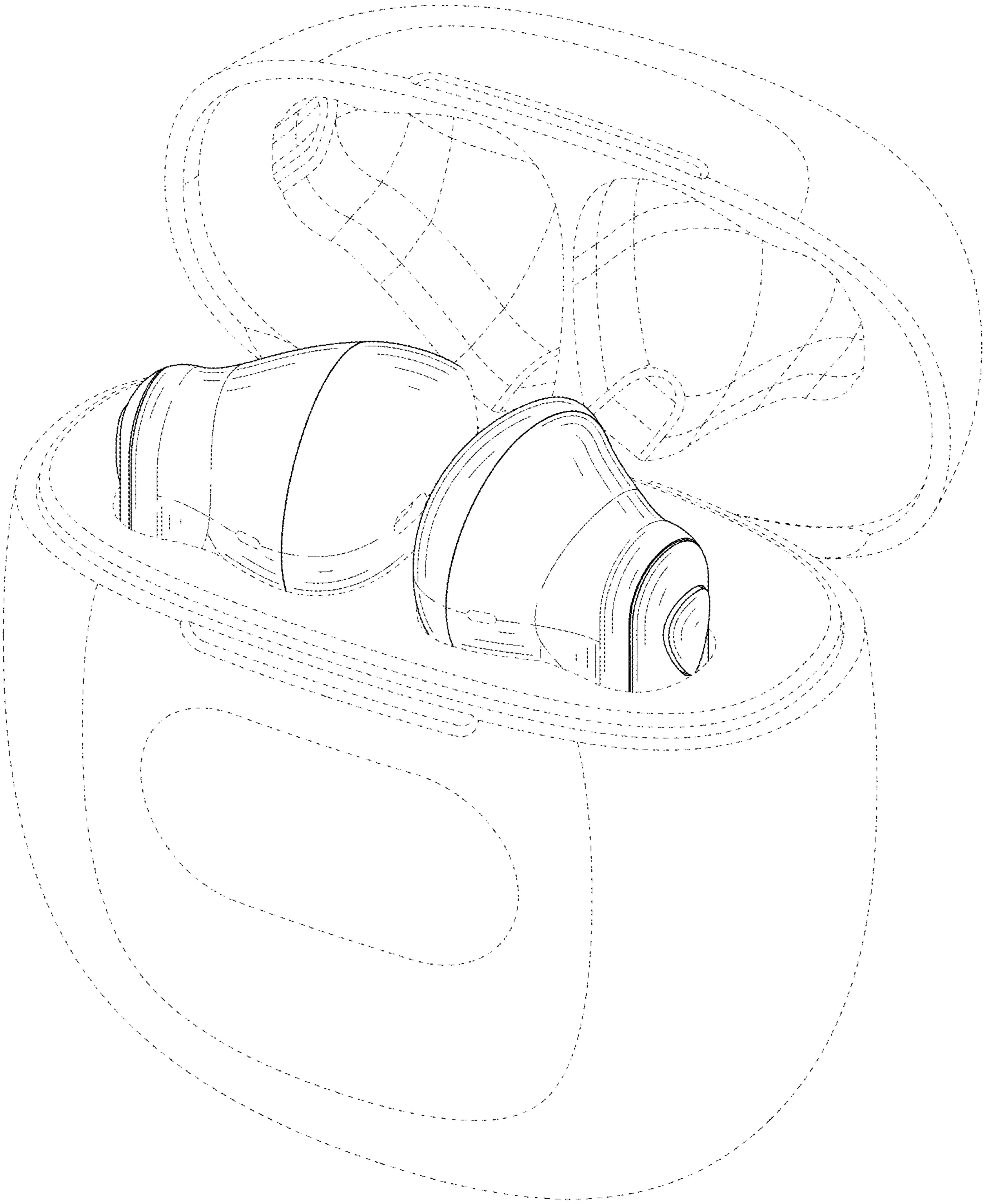


FIG. 9