



US00D977459S

(12) **United States Design Patent** (10) **Patent No.:** **US D977,459 S**
Jun et al. (45) **Date of Patent:** **** Feb. 7, 2023**

(54) **EAR BUD**

(71) Applicant: **SAVANNAH MARKETING GROUP, INC.**, Camarillo, CA (US)

(72) Inventors: **He Jun**, ShenZhen (CN); **Li Hai**, ShenZhen (CN); **XuQui Ming**, ShenZhen (CN); **LeiZhu Jun**, ShenZhen (CN)

(73) Assignee: **Savannah Marketing Group, Inc.**, Camarillo, CA (US)

(**) Term: **15 Years**

(21) Appl. No.: **29/796,492**

(22) Filed: **Jun. 24, 2021**

(51) **LOC (14) Cl.** **14-01**

(52) **U.S. Cl.**

USPC **D14/223**

(58) **Field of Classification Search**

USPC D14/223, 205, 206; D24/174, 217, 218; 128/864, 865, 866; 181/129, 130, 135; 379/430, 431; 381/380, 381, 322-324, 381/330; 455/90.3, 575, 1, 569.1; D9/415, 432, 721; D3/274, 294; D13/108

CPC H04R 1/10; H04R 25/00; H04R 1/1016; H04R 1/1066; H04R 5/033; H04R 5/0335; H04R 1/1091; H04R 1/1058; H04R 1/105; H04R 1/1083

See application file for complete search history.

(56) **References Cited**

U.S. PATENT DOCUMENTS

D504,673 S * 5/2005 Dyer D14/223
D603,847 S * 11/2009 Chung D14/223
D625,297 S * 10/2010 Tseng D14/223
D629,397 S * 12/2010 Hensen H04R 5/033
D14/223

D635,960 S * 4/2011 Gondo D14/223
D725,637 S * 3/2015 Nakajima D14/223
D817,305 S * 5/2018 Hsieh D14/206
D871,375 S * 12/2019 Meyer D14/223
D878,338 S * 3/2020 Yang D14/223
D890,726 S * 7/2020 Park D14/223
D904,761 S * 12/2020 Koneru D3/274
D912,015 S * 3/2021 Xie D14/223
D920,959 S * 6/2021 Cai D14/223

* cited by examiner

Primary Examiner — Katie Jane Stofko

(74) *Attorney, Agent, or Firm* — SoCal IP Law Group LLP; Mark Andrew Goldstein

(57) **CLAIM**

The ornamental design for an ear bud, as shown and described.

DESCRIPTION

A portion of the disclosure of this patent document contains material which is subject to copyright protection. This patent document may show and/or describe matter which is or may become trade dress of the owner. The copyright and trade dress owner has no objection to the facsimile reproduction by anyone of the patent disclosure as it appears in the Patent and Trademark Office patent files or records, but otherwise reserves all copyright and trade dress rights whatsoever.

FIG. 1 is a front and right side perspective view of an ear bud;

FIG. 2 is a rear and left side perspective view thereof;

FIG. 3 is a front elevation view thereof;

FIG. 4 is a right side elevation view thereof;

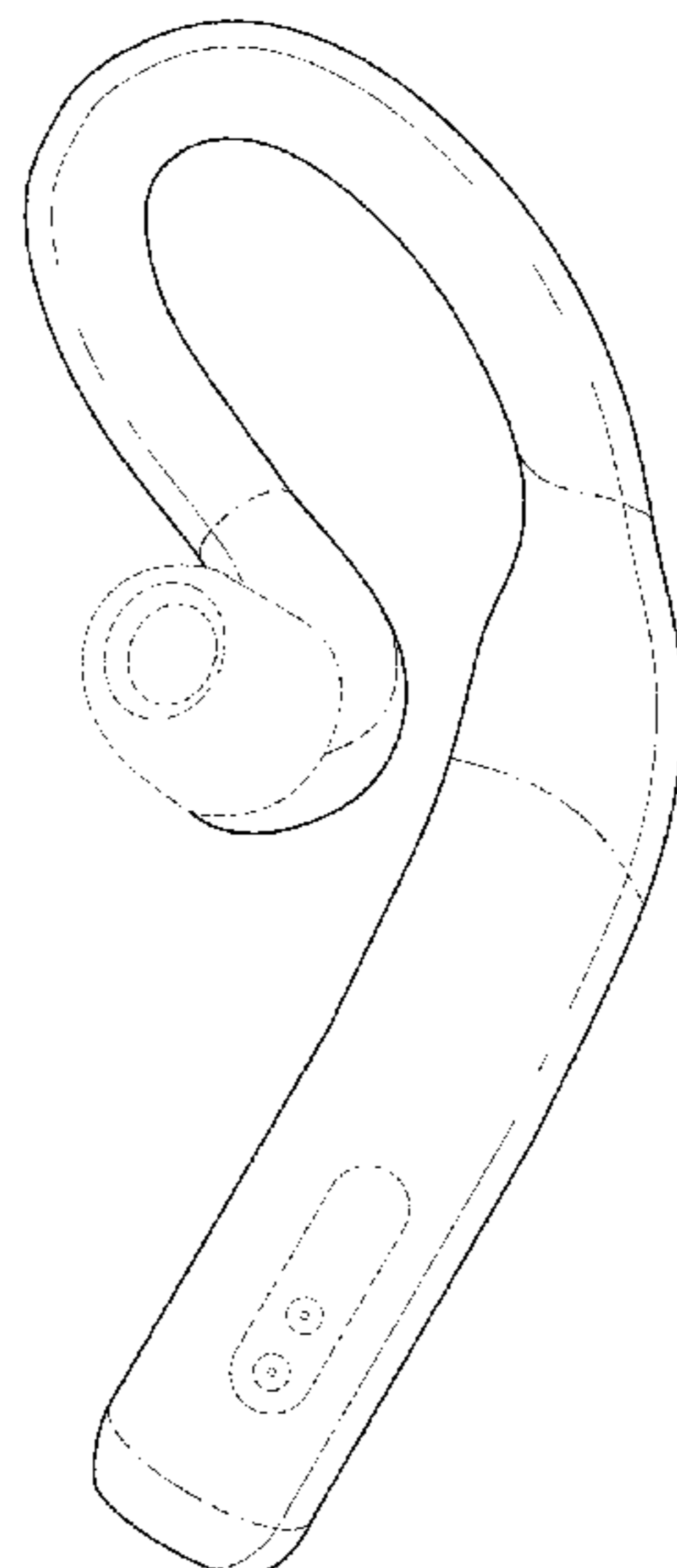
FIG. 5 is a left side elevation view thereof;

FIG. 6 is a top plan view thereof; and,

FIG. 7 is a bottom plan view thereof.

The broken lines shown in FIG. 7 illustrate portions of the ear bud, that form no part of the claimed design.

1 Claim, 5 Drawing Sheets



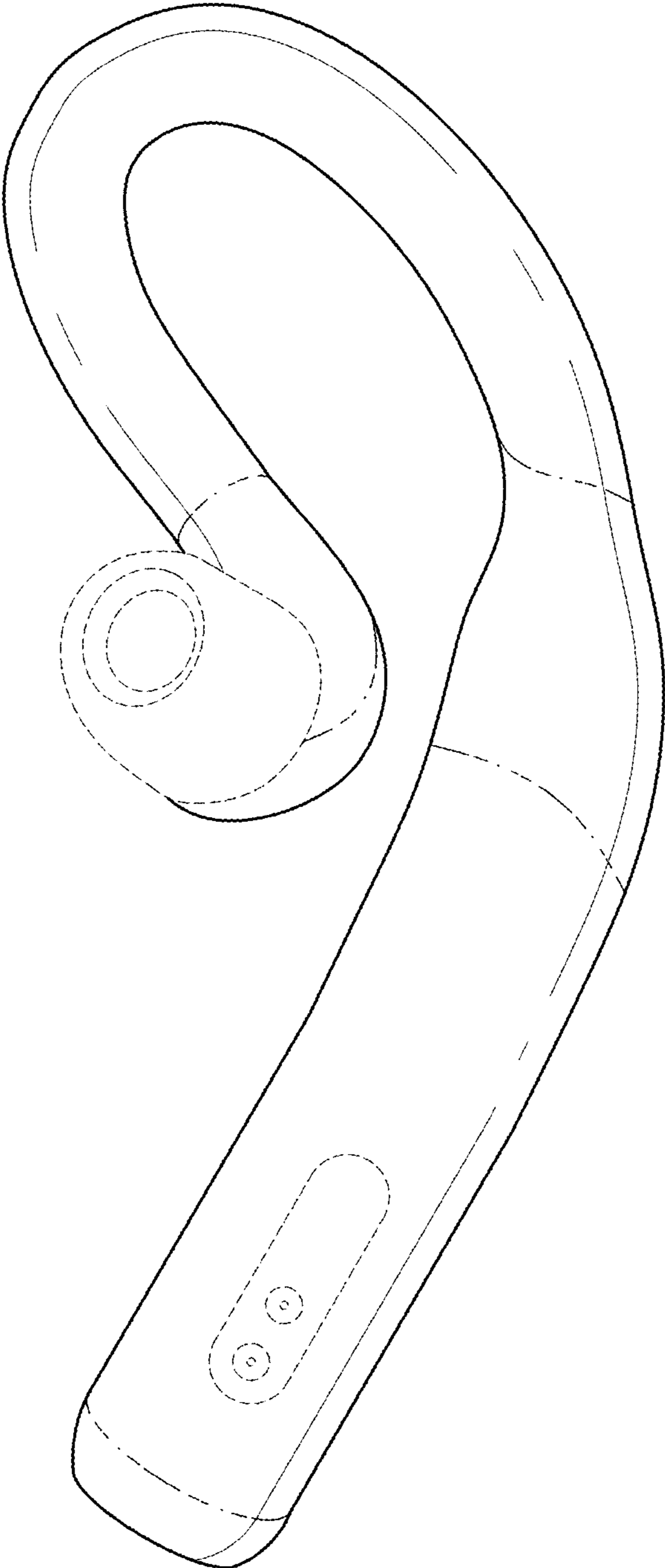


FIG. 1

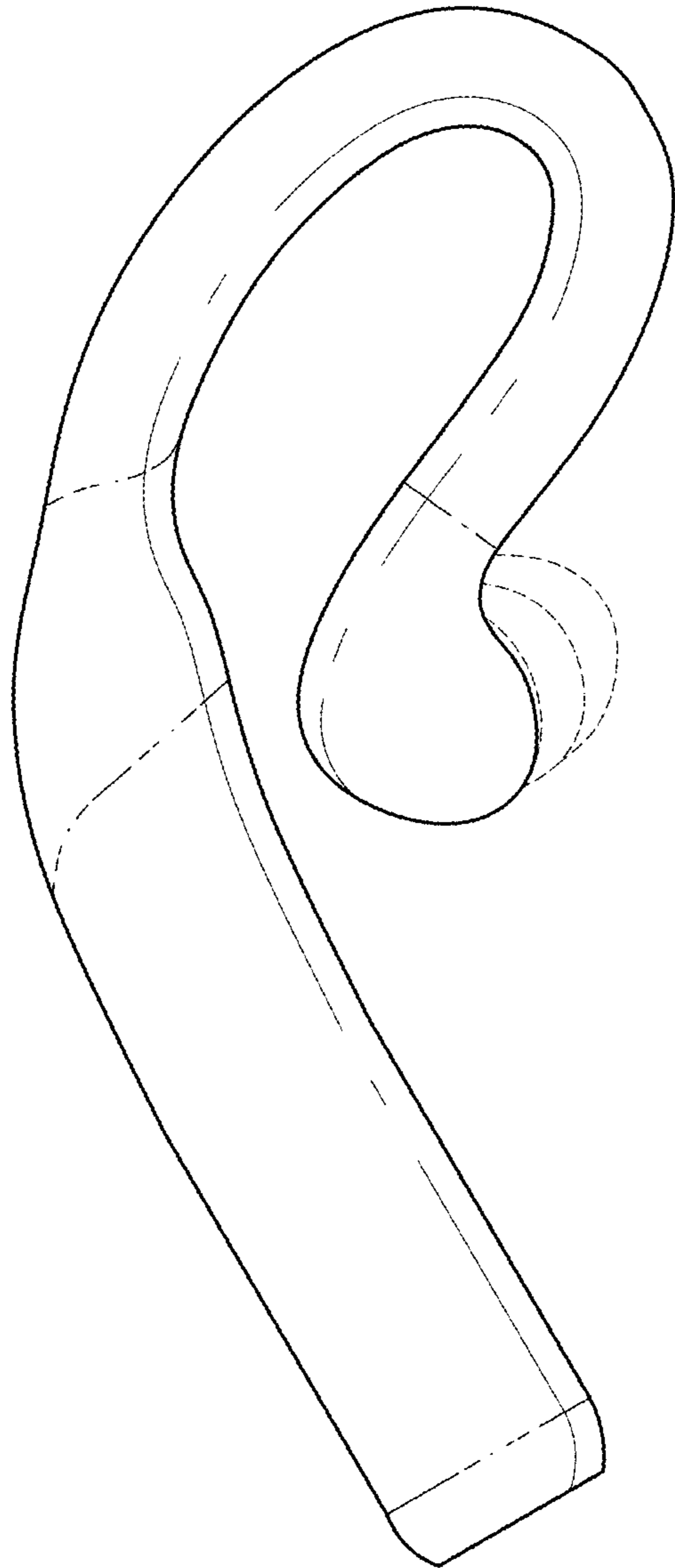


FIG. 2

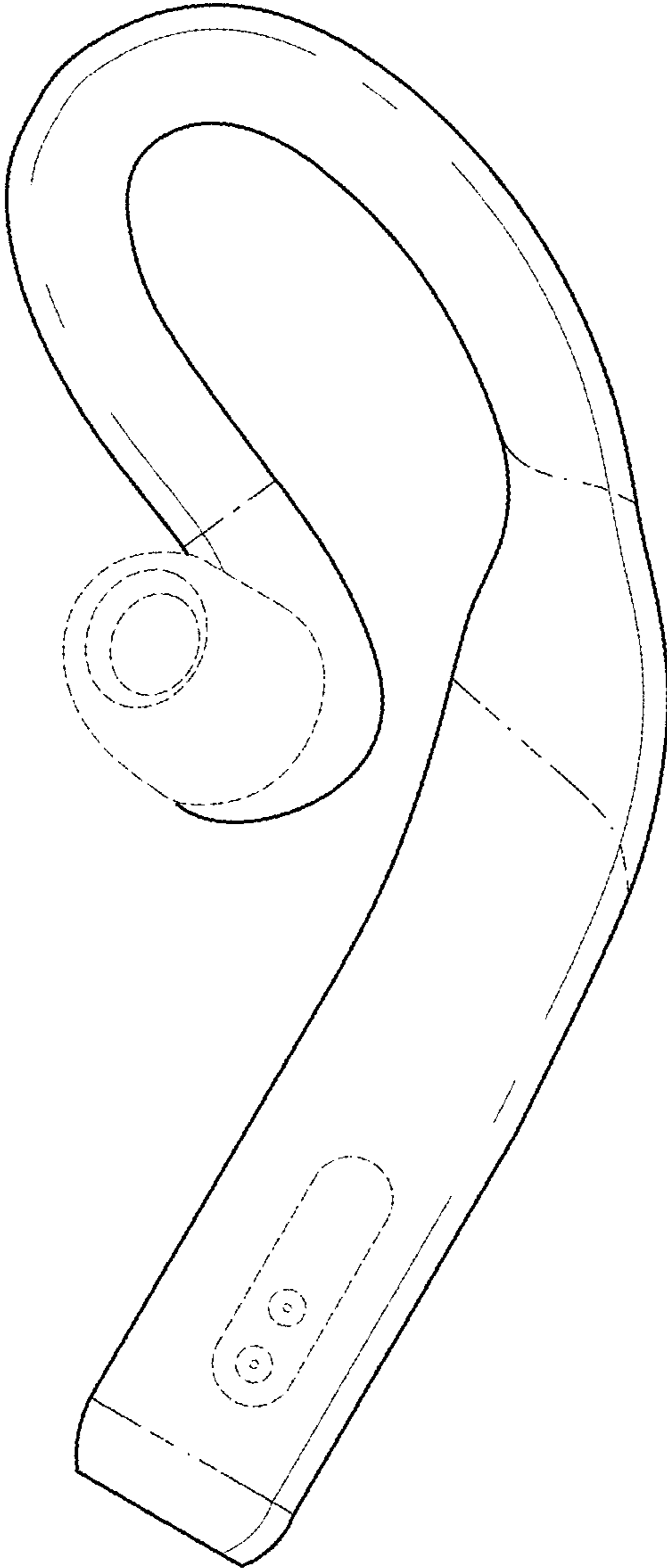


FIG. 3

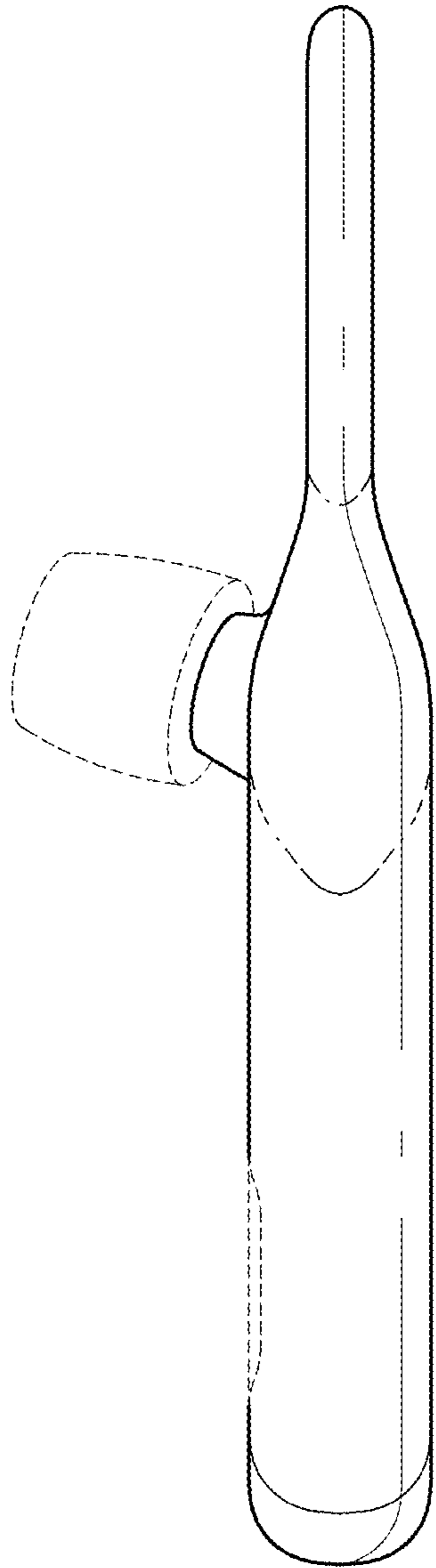


FIG. 4

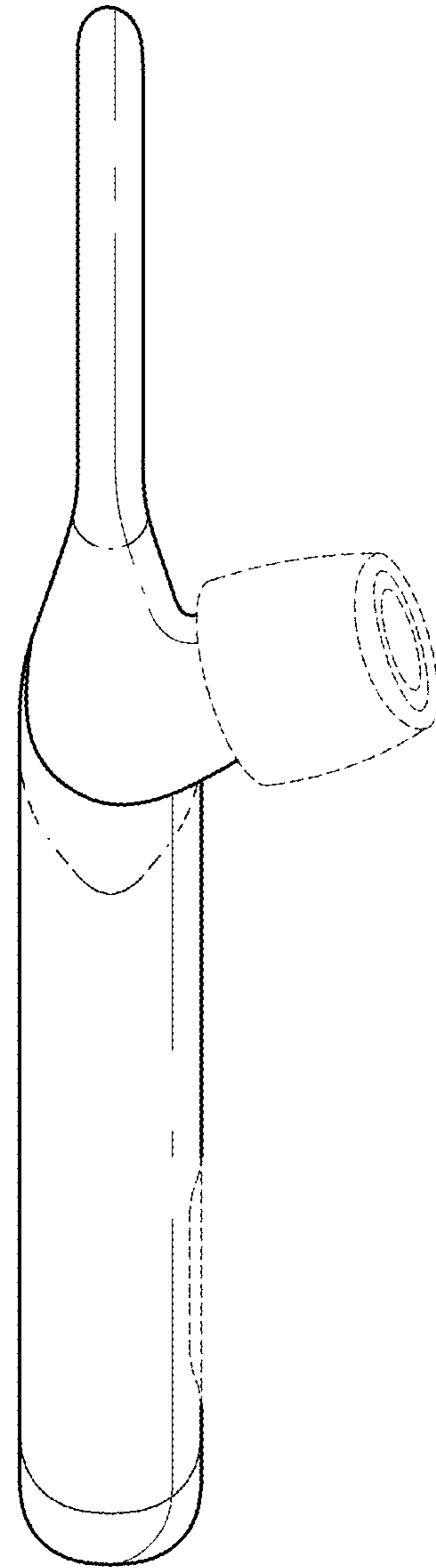


FIG. 5

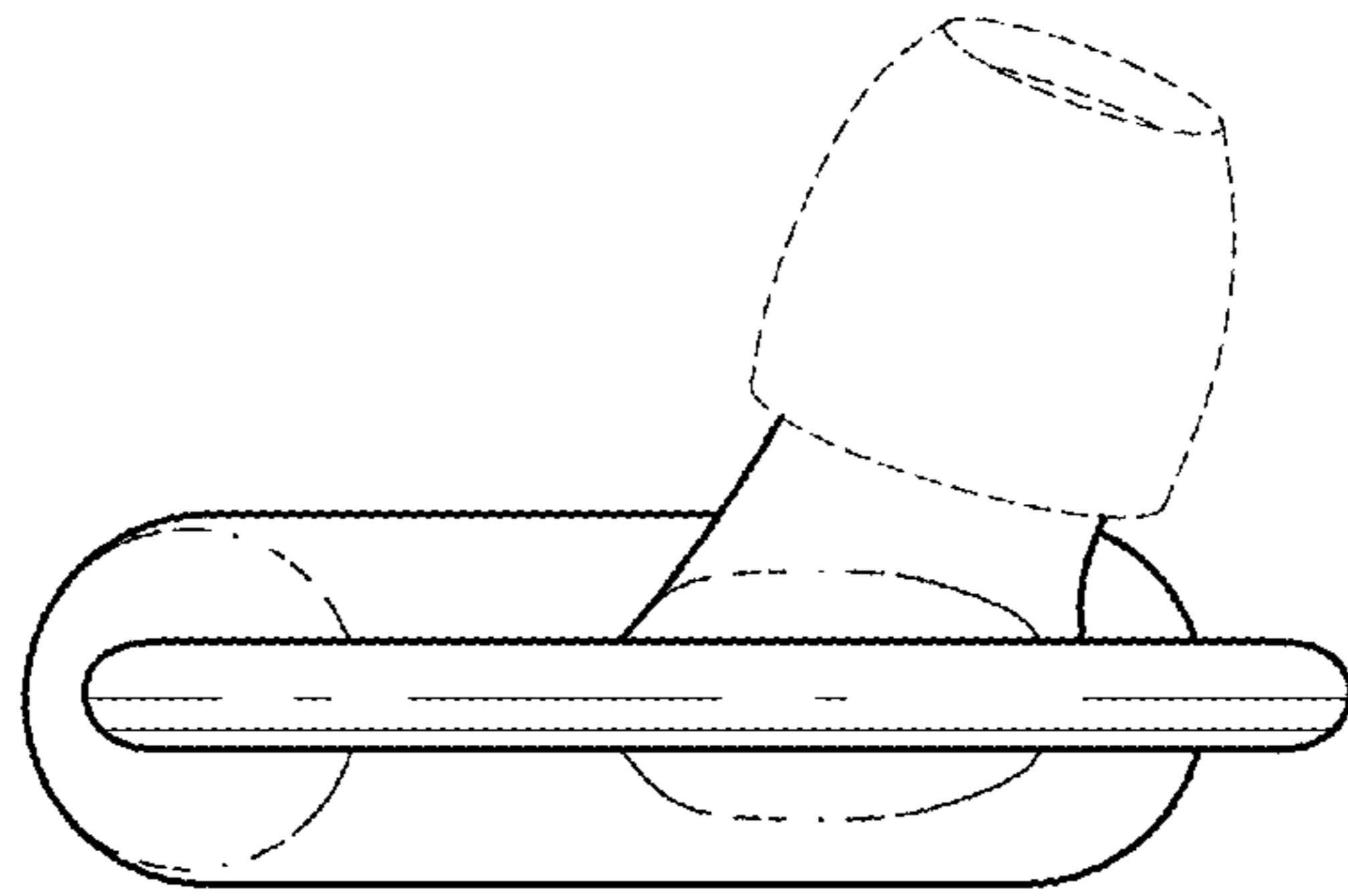


FIG. 6

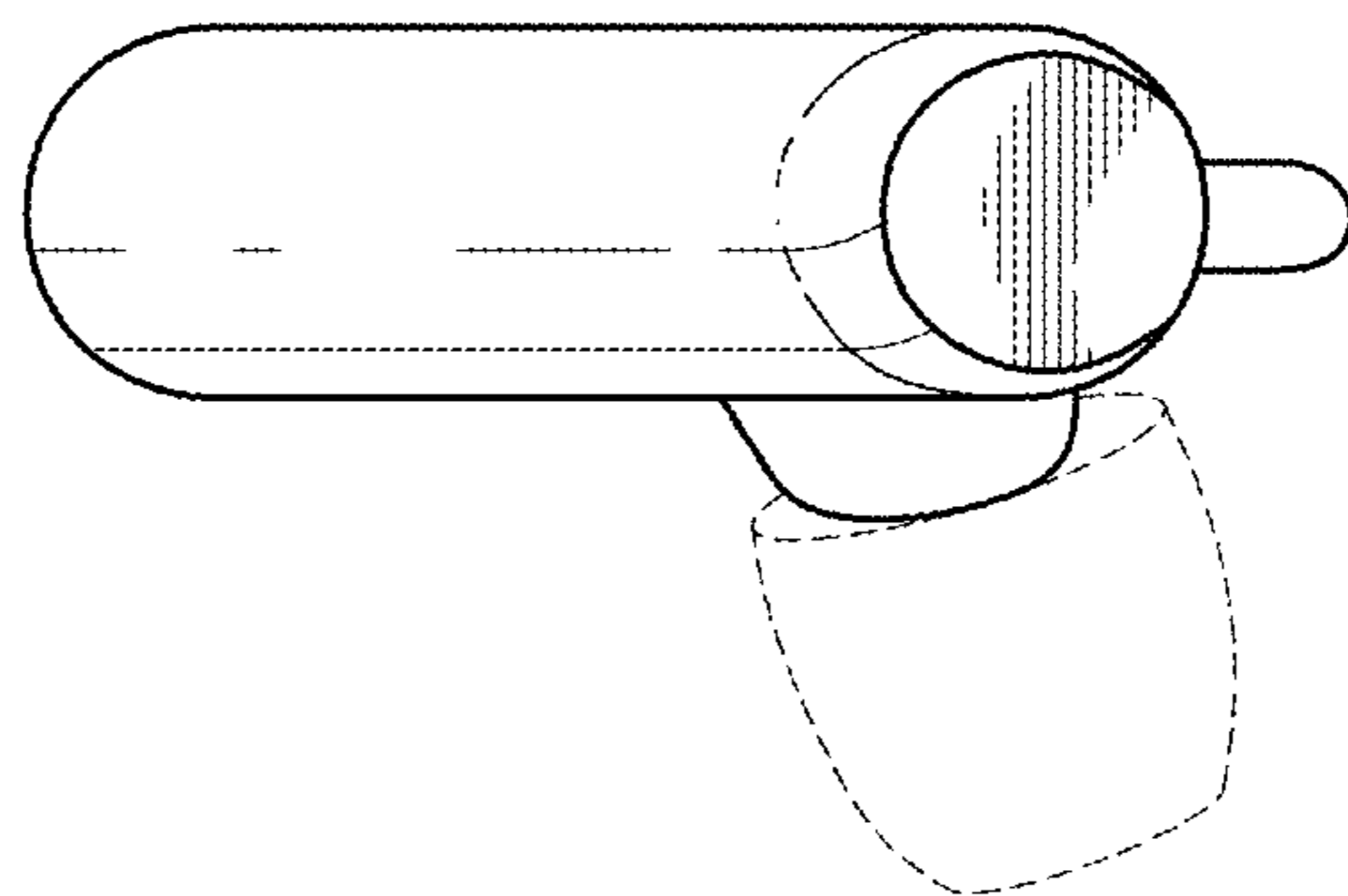


FIG. 7