

US00D977458S

(12) **United States Design Patent**
Cai et al.

(10) **Patent No.:** **US D977,458 S**

(45) **Date of Patent:** **** Feb. 7, 2023**

(54) **WIRELESS EARBUDS**

(71) Applicant: **Endliss Technology, Inc.**, Hayward, CA (US)

(72) Inventors: **Sen Cai**, Hayward, CA (US);
Weiguang Huang, Hayward, CA (US)

(73) Assignee: **Endliss Technology, Inc.**, Hayward, CA (US)

(**) Term: **15 Years**

(21) Appl. No.: **29/736,741**

(22) Filed: **Jun. 2, 2020**

(51) **LOC (14) Cl.** **14-01**

(52) **U.S. Cl.**
USPC **D14/223**

(58) **Field of Classification Search**
USPC ... D14/205, 207, 217, 221, 223, 224, 224.1,
D14/225; D24/173, 174

(Continued)

(56) **References Cited**

U.S. PATENT DOCUMENTS

D626,117 S * 10/2010 Lowry D14/223
D877,722 S * 3/2020 Yang D14/223

(Continued)

FOREIGN PATENT DOCUMENTS

CN 306033139 * 9/2020
CN 306039906 * 9/2020

(Continued)

OTHER PUBLICATIONS

XClear Wireless Earbuds with Immersive Sounds True 5.0 Bluetooth in-Ear Headphones, retrieved Nov. 2, 2019 [online], retrieved Nov. 15, 2021, retrieved from internet, <https://www.amazon.com/XClear-Headphones-Quick-Pairing-Microphones-Sweatproof/dp/>

B07ZWJR9GD/ref=sr_1_12?crd=2P38RDUF6GQ59&dchild=1&keywords=superx+earbuds&qid=1632511788&srefix=SuperX+e%2Caps%2C208&sr=8-12.*

(Continued)

Primary Examiner — Messina L Smith
(74) *Attorney, Agent, or Firm* — Bishop, Diehl & Lee, Ltd.

(57) **CLAIM**

The ornamental design for wireless earbuds, as shown and described.

DESCRIPTION

FIG. 1 is an enlarged top view of the right earbud of wireless earbuds, showing the new design, shown separately to show aspects of the design that are not visible when combined; FIG. 2 is a front view of the right earbud of the wireless earbuds shown in FIG. 1; FIG. 3 is a rear view of the right earbud of the wireless earbuds shown in FIG. 1; FIG. 4 is a top view of the right earbud of the wireless earbuds shown in FIG. 1; FIG. 5 is a bottom view of the right earbud of the wireless earbuds shown in FIG. 1; FIG. 6 is a right side view of the right earbud of the wireless earbuds shown in FIG. 1; FIG. 7 is a left side view of the right earbud of the wireless earbuds shown in FIG. 1; FIG. 8 is an enlarged top view of the left earbud of the wireless earbuds; FIG. 9 is a front view of the left earbud of the wireless earbuds shown in FIG. 8; FIG. 10 is a rear view of the left earbud of the wireless earbuds shown in FIG. 8; FIG. 11 is a top view of the left earbud of the wireless earbuds shown in FIG. 8; FIG. 12 is a bottom view of the left earbud of the wireless earbuds shown in FIG. 8; FIG. 13 is a left side view of the left earbud of the wireless earbuds shown in FIG. 8; FIG. 14 is a right side view of the left earbud of the wireless earbuds shown in FIG. 8; and,

(Continued)

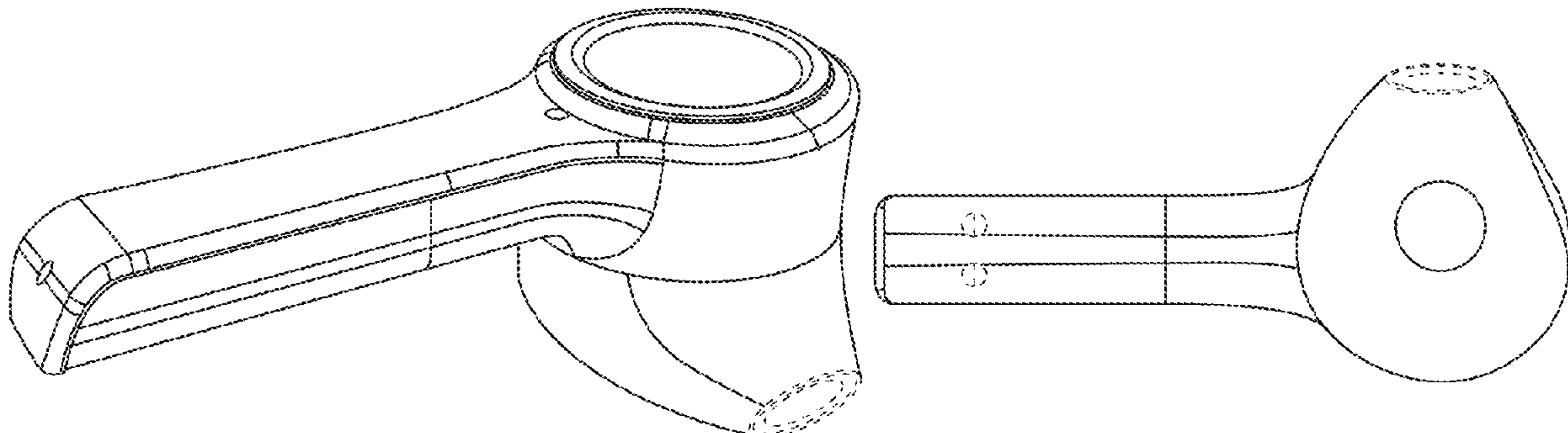


FIG. 15 is a perspective view of the wireless earbuds shown inserted into a protective case. The broken line showing the protective case in FIG. 15 depicts environment and forms no part of the claimed design.

1 Claim, 3 Drawing Sheets

(58) Field of Classification Search

CPC H04R 1/10; H04R 1/1016; H04R 1/1066;
H04R 1/105; H04R 1/1033; H04R 1/08;
H04R 5/033; H04R 5/0335; H04R 25/00
See application file for complete search history.

(56) References Cited

U.S. PATENT DOCUMENTS

| | | | | | | |
|----------|---|---|--------|-------|-------|---------|
| D882,553 | S | * | 4/2020 | Wu | | D14/223 |
| D888,690 | S | * | 6/2020 | Yan | | D14/223 |
| D890,724 | S | * | 7/2020 | Li | | D14/223 |
| D896,207 | S | * | 9/2020 | He | | D14/223 |
| D908,114 | S | * | 1/2021 | Jung | | D14/223 |
| D908,665 | S | * | 1/2021 | Wen | | D14/223 |
| D910,600 | S | * | 2/2021 | Zhang | | D14/223 |
| D912,011 | S | * | 3/2021 | Zhao | | D14/205 |
| D914,644 | S | * | 3/2021 | Zhu | | D14/223 |
| D916,058 | S | * | 4/2021 | Wu | | D14/223 |
| D916,685 | S | * | 4/2021 | Fang | | D14/223 |
| D918,182 | S | * | 5/2021 | Chen | | D14/223 |
| D920,293 | S | * | 5/2021 | Chen | | D14/223 |
| D921,615 | S | * | 6/2021 | Wu | | D14/223 |
| D924,209 | S | * | 7/2021 | Wu | | D14/223 |
| D924,851 | S | * | 7/2021 | Li | | D14/223 |
| D924,852 | S | * | 7/2021 | Liu | | D14/223 |
| D925,498 | S | * | 7/2021 | Lin | | D14/223 |
| D925,499 | S | * | 7/2021 | Xie | | D14/223 |
| D925,500 | S | * | 7/2021 | Chen | | D14/223 |
| D926,733 | S | * | 8/2021 | Wu | | D14/223 |
| D928,126 | S | * | 8/2021 | Chen | | D14/223 |
| D931,258 | S | * | 9/2021 | Ding | | D14/223 |

FOREIGN PATENT DOCUMENTS

| | | | |
|----|-----------|---|---------|
| CN | 306039964 | * | 9/2020 |
| CN | 306046688 | * | 9/2020 |
| CN | 306085531 | * | 10/2020 |
| JP | D1667779 | * | 8/2020 |

OTHER PUBLICATIONS

SuperX Bluetooth 5.0 Wireless Earbuds, retrieved Apr. 19, 2019 [online], retrieved Nov. 15, 2021, retrieved from internet, <https://www.amazon.com/gp/product/B087CBJM29?th=1&psc=1>.*

BCS-T90 | EXFIT True Wireless Earbuds with Bluetooth 5.0, Charging Case, retrieved May 20, 2019 [online], retrieved Nov. 15, 2021, retrieved from internet, https://www.amazon.com/dp/B07P61RR6P?pd_rd_i=B07P61RR6P&pd_rd_w=AdG5l&pf_rd_p=7ea8e9d0-fed1-49e8-a002-f2d3f5cb151d&pd_rd_wg=4fKq8&pf_rd_r=0YF4NZCW5821GQ8E823D&pd_rd_r=49fae775-cdbe-49df-a632-c1d73a14eec4.*

Picun W20 Pink Wireless Headphones In-Ear, retrieved Jun. 19, 2020 [online], retrieved Nov. 15, 2021, retrieved from internet, https://www.amazon.com/dp/B08BHP75M8/ref=sspa_dk_detail_4?psc=1&pd_rd_i=B08BHP75M8&pd_rd_w=1wG03&pf_rd_p=54ed5474-54a8-4c7f-a88a-45f748d18166&pd_rd_wg=DrP0Q&pf_rd_r=ZYGvQSP3YDE6MSTETKE1&pd_rd_r=e3c815ef-d67c-40f7-9462-a5af20b4b512&spLa=ZW5jcnIwdGVkUXVhbGlmaWVyPU E2Qk1GS1RLNEdNQyZlbnNyeXB0ZWZWRJZD1BMDIxNjc1OE pVNEdEV1BPUkZNSiZlbnNyeXB0ZWZWRBZEIkPUEwMTQ2ODY xMkxVUTIRSEw0VIFMMyZ3aWRnZXROYW1IPXNwX2RldG FpbF90aGVtYXRpYyZhY3Rpb249Y2xpY2tSZWRpcmVjdCZkb0 5vdExvZ0NsaWNrPXRydWU=.*

Bluetooth Headphones True Wireless Earbuds, retrieved May 6, 2021 [online], retrieved Nov. 15, 2021, retrieved from internet, https://www.amazon.com/dp/B08XB5TZ44/ref=sspa_dk_detail_3?psc=1&pd_rd_w=6IxIO&pf_rd_p=887084a2-5c34-4113-a4f8-b7947847c308&pd_rd_wg=SnEm6&pf_rd_r=0C84PW2EG0QSR1DXGVRK&pd_rd_r=2955ed1d-eOd9-438f-b8b1-2bab3377fa5e&spLa=ZW5jcnIwdGVkUXVhbGlmaWVyPU ExQVRNNUdGNTITSjhOJmVuY3J5cHRIZElkPUEwMzM5Nzc2 MTdQRTZLSihsWEw4NCZlbnNyeXB0ZWZWRBZEIkPUEwOTAw NTgxMVZlUzVYOVBKOFBNSyZ3aWRnZXROYW1IPXNwX2 RldGFpbCZhY3Rpb249Y2xpY2tSZWRpcmVjdCZkb05vdExvZ0 NsaWNrPXRydWU=.*

* cited by examiner

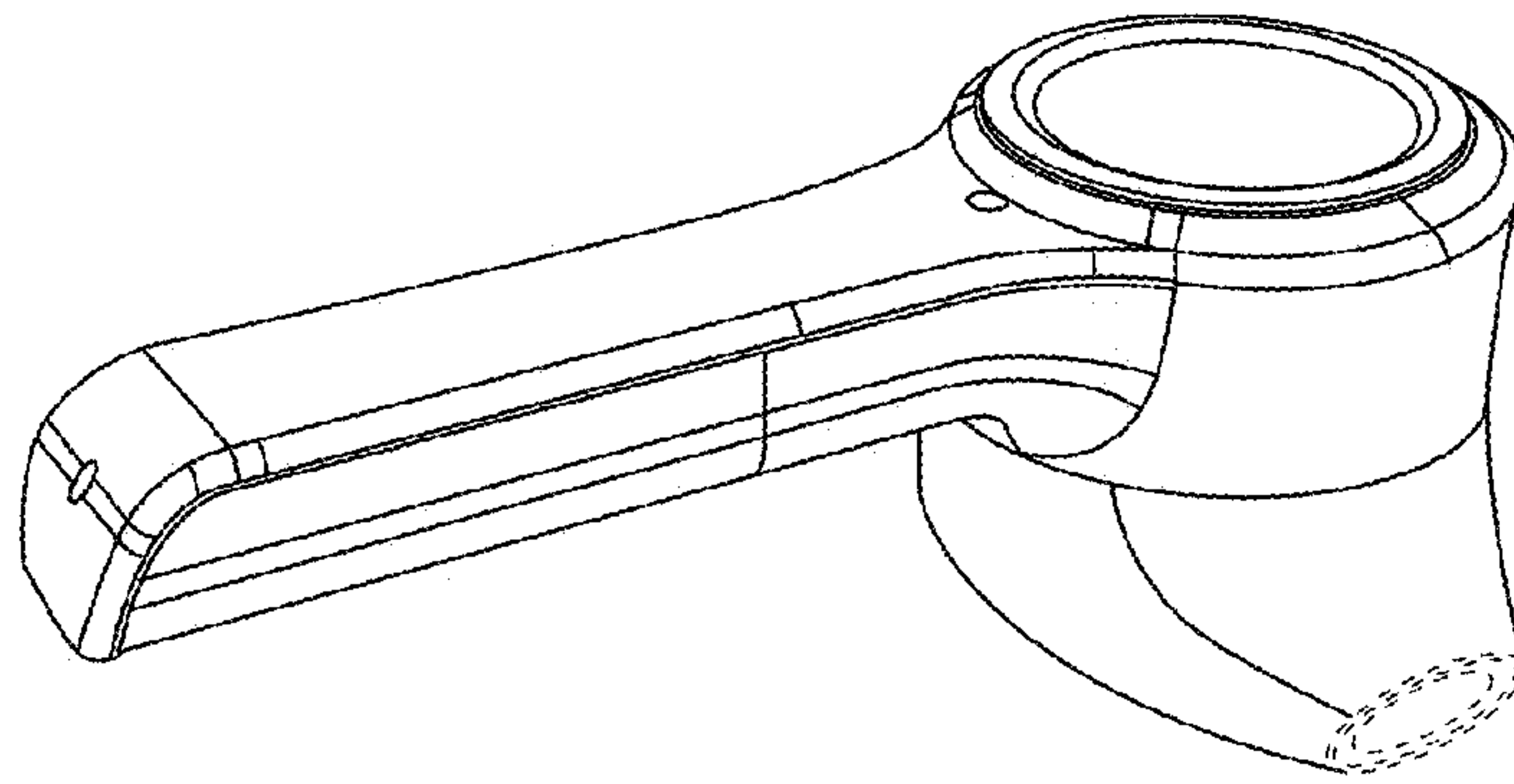


FIG. 1

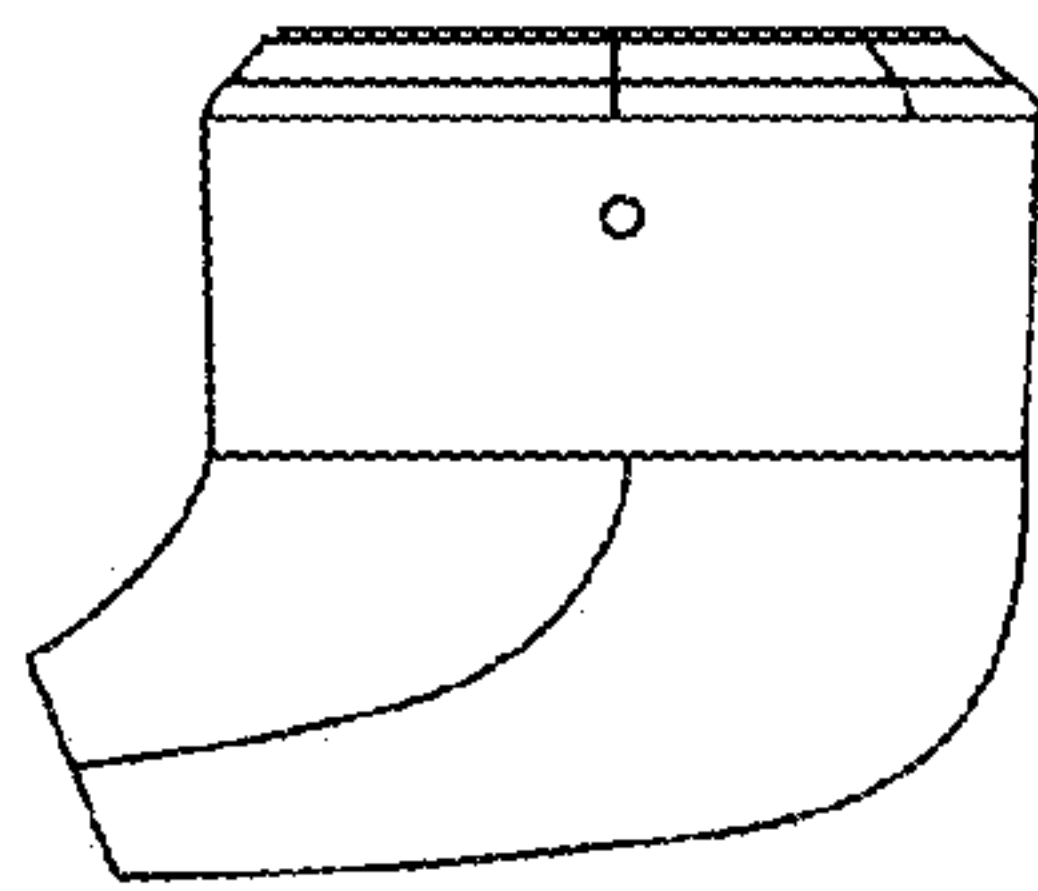


FIG. 2

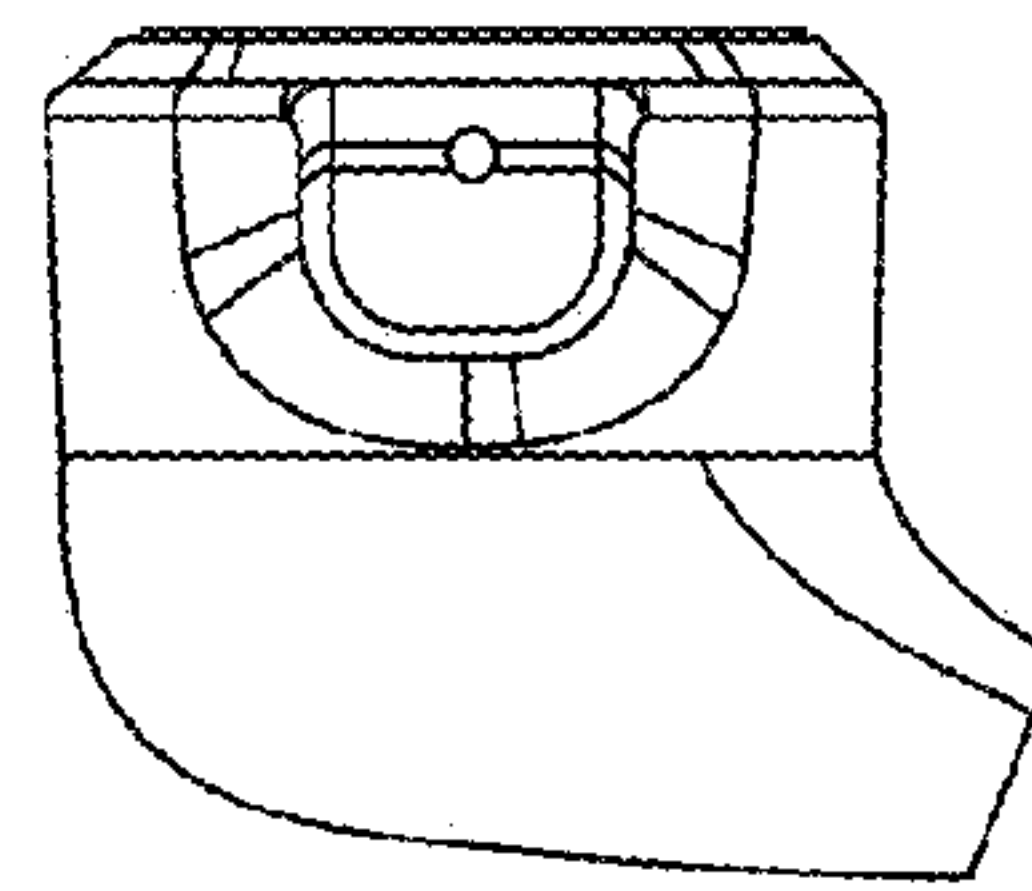


FIG. 3

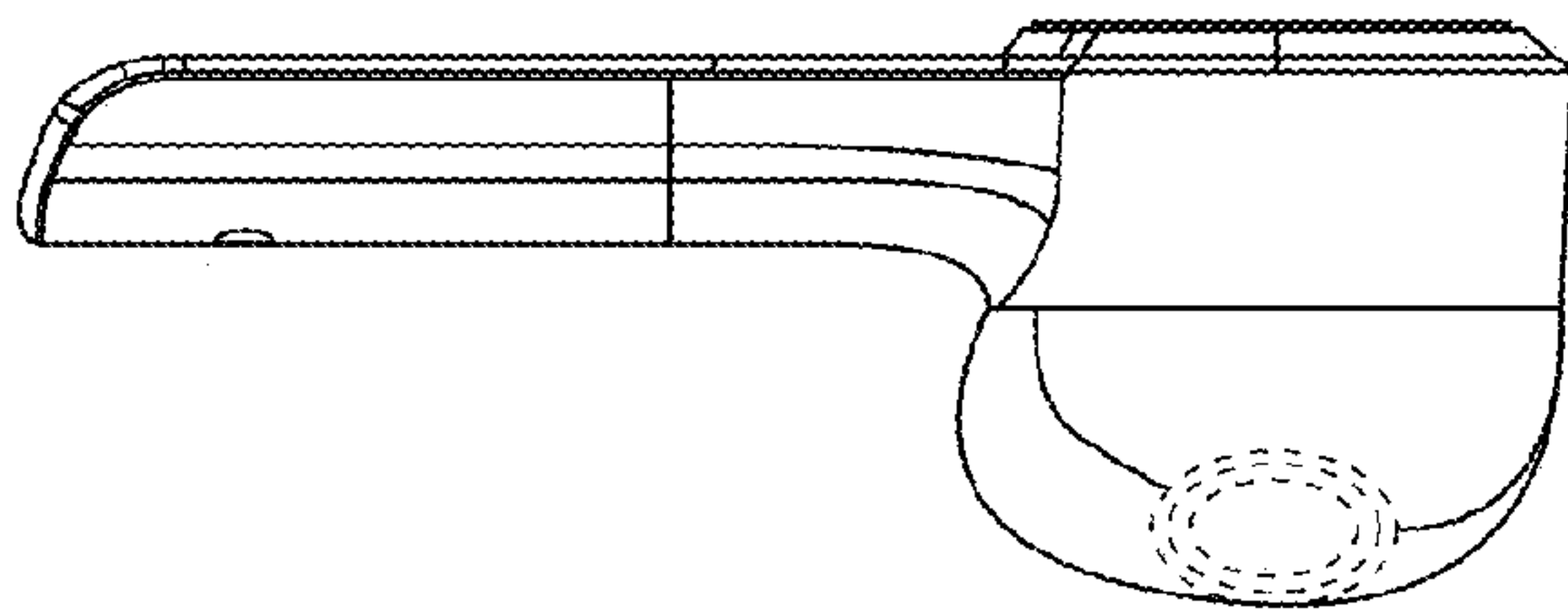


FIG. 4

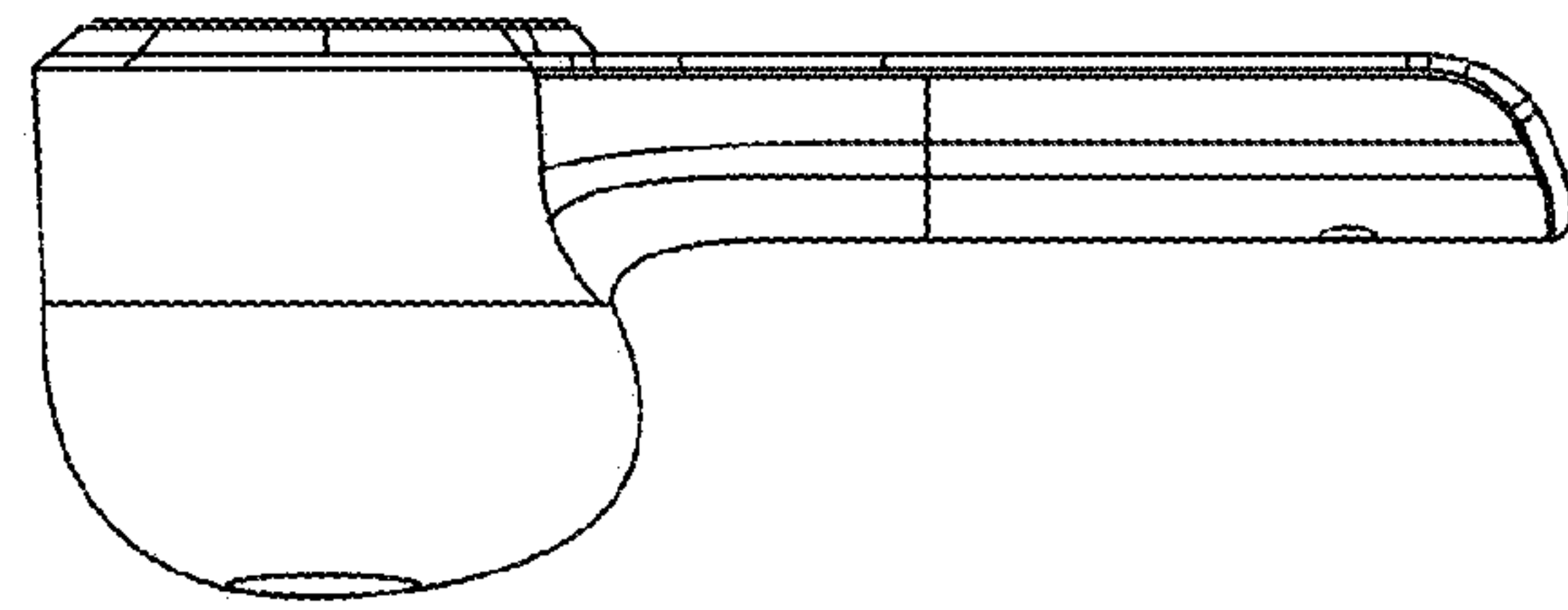


FIG. 5

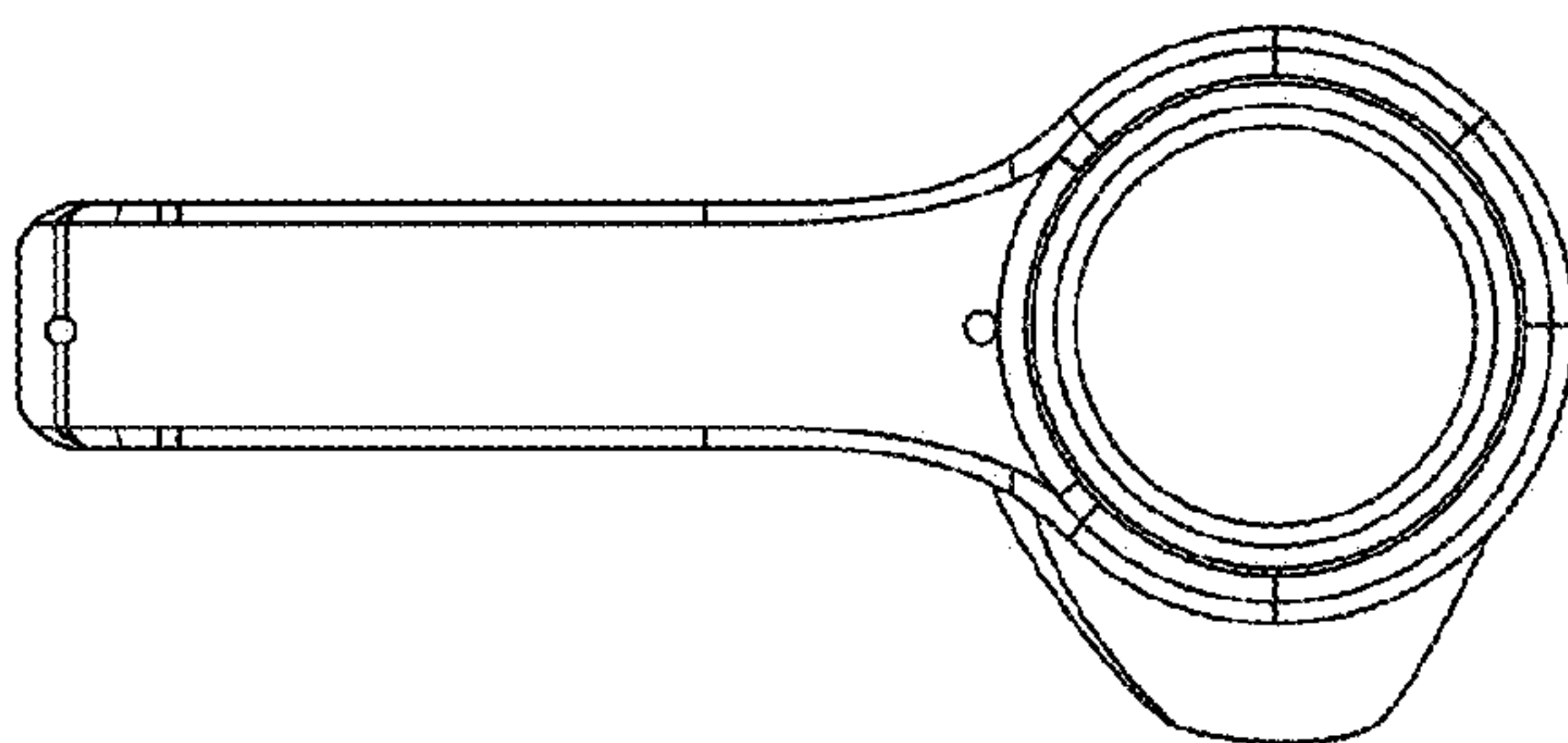


FIG. 6

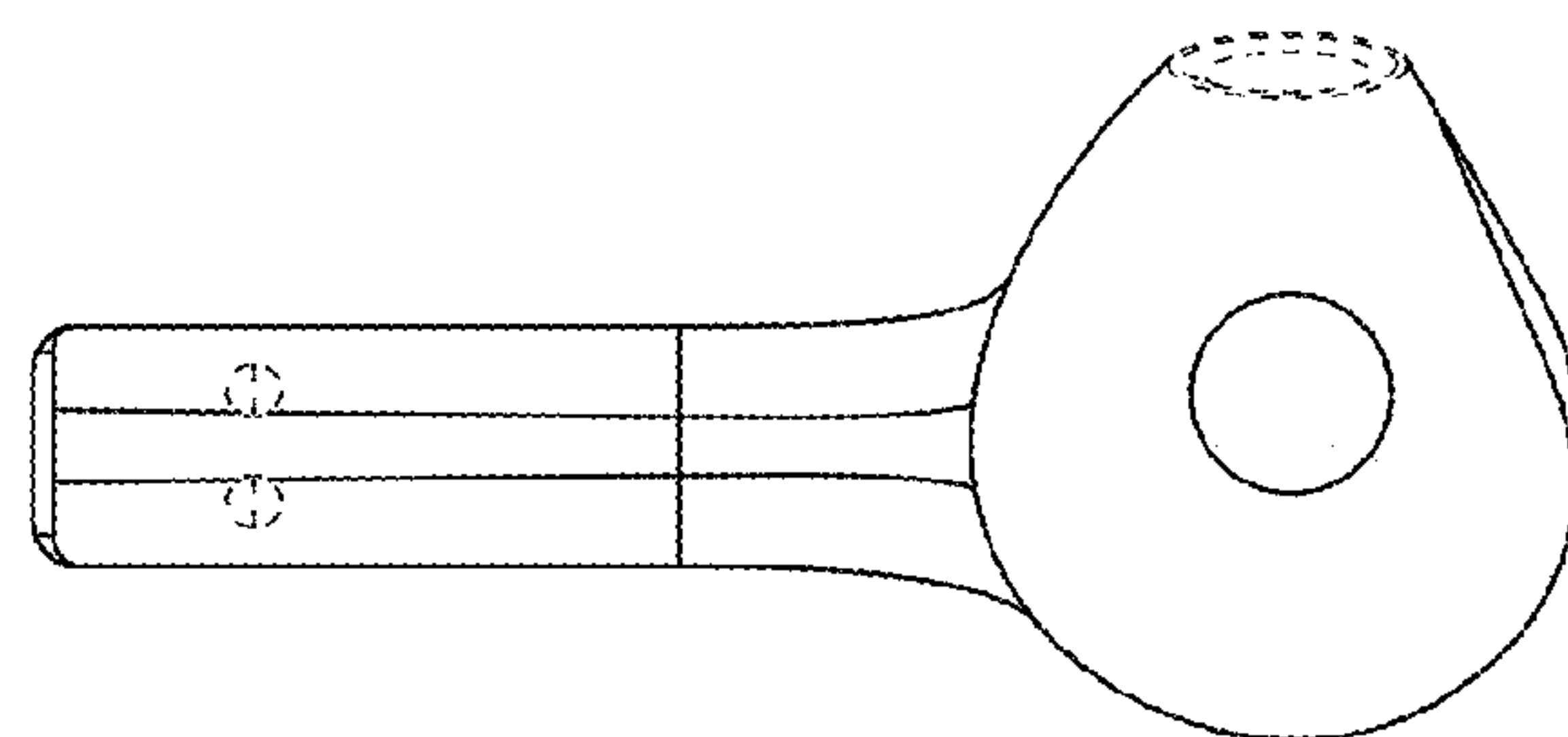


FIG. 7

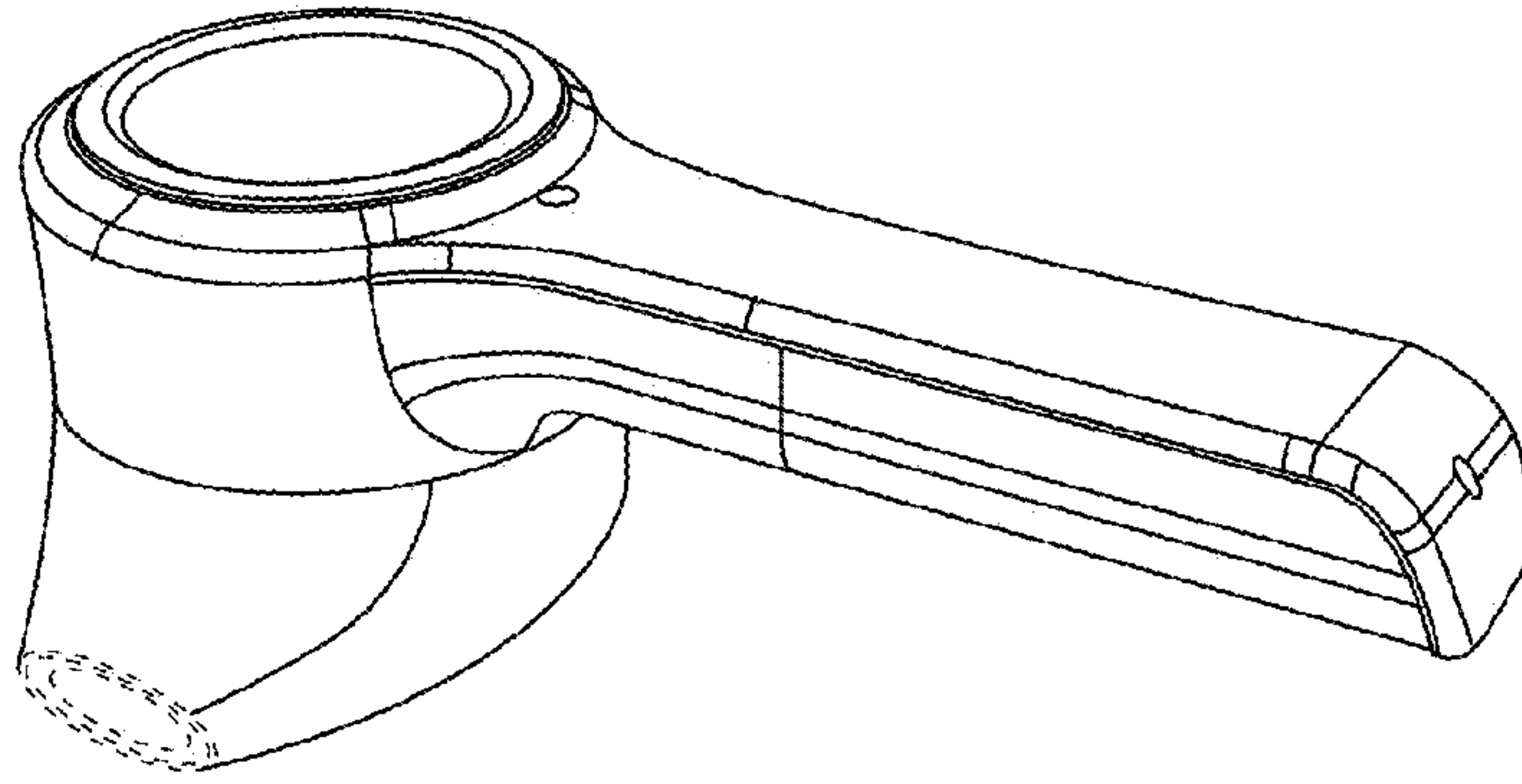


FIG. 8

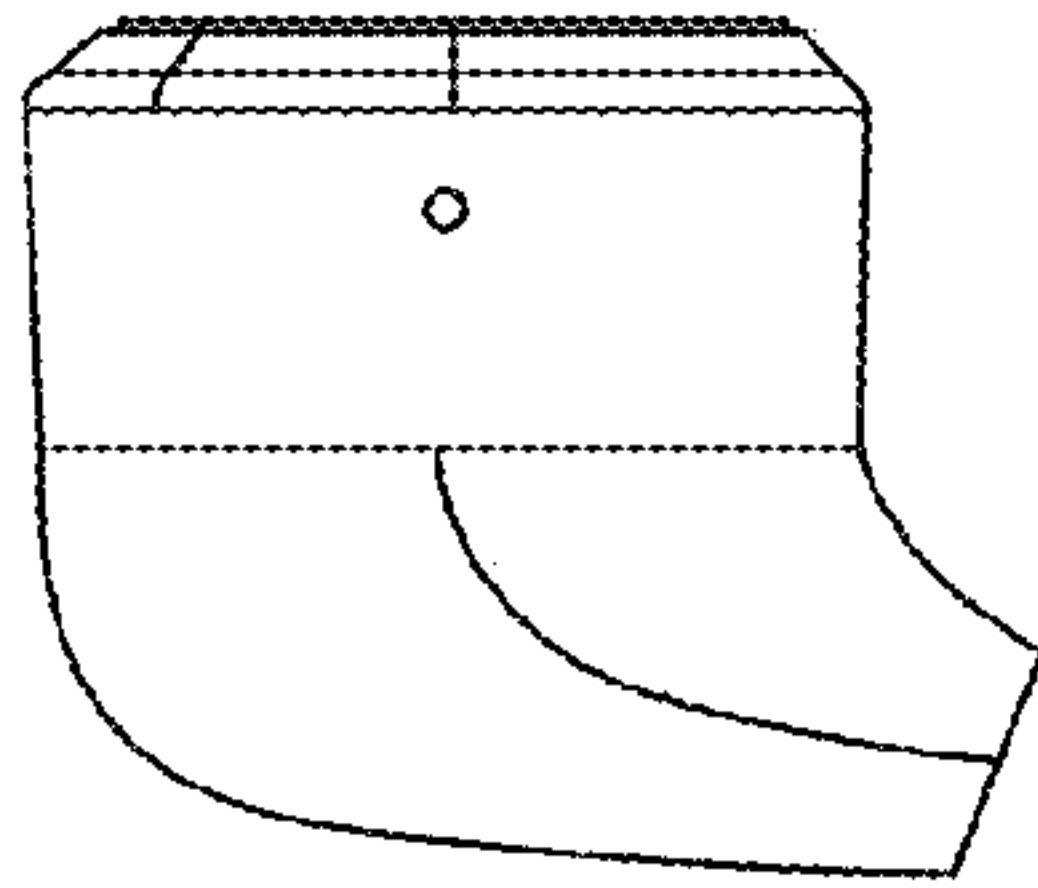


FIG. 9

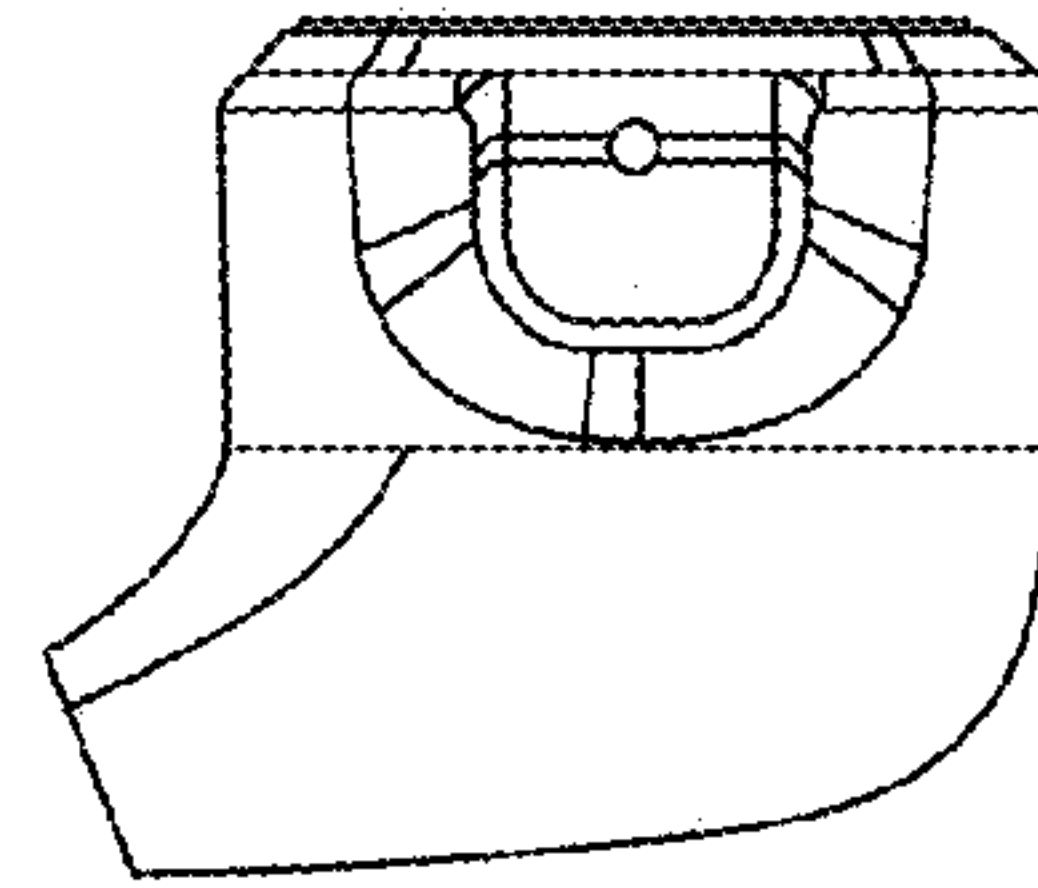


FIG. 10

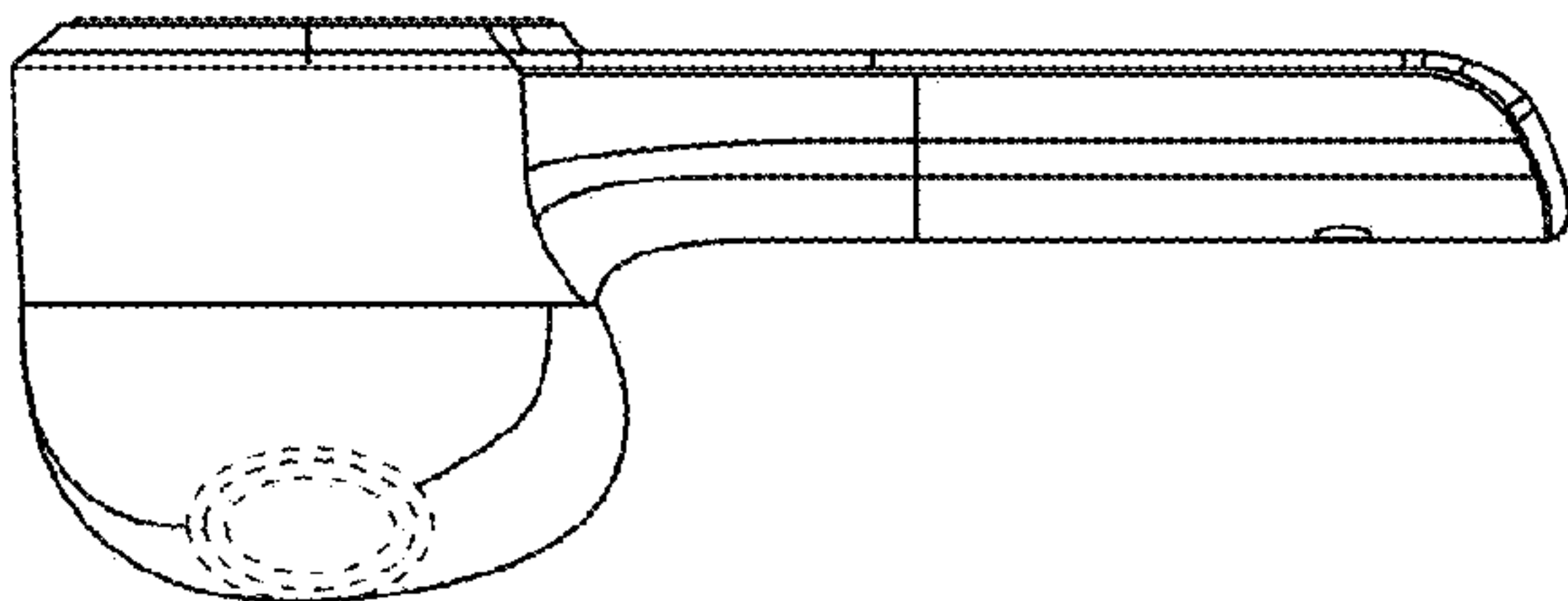


FIG. 11

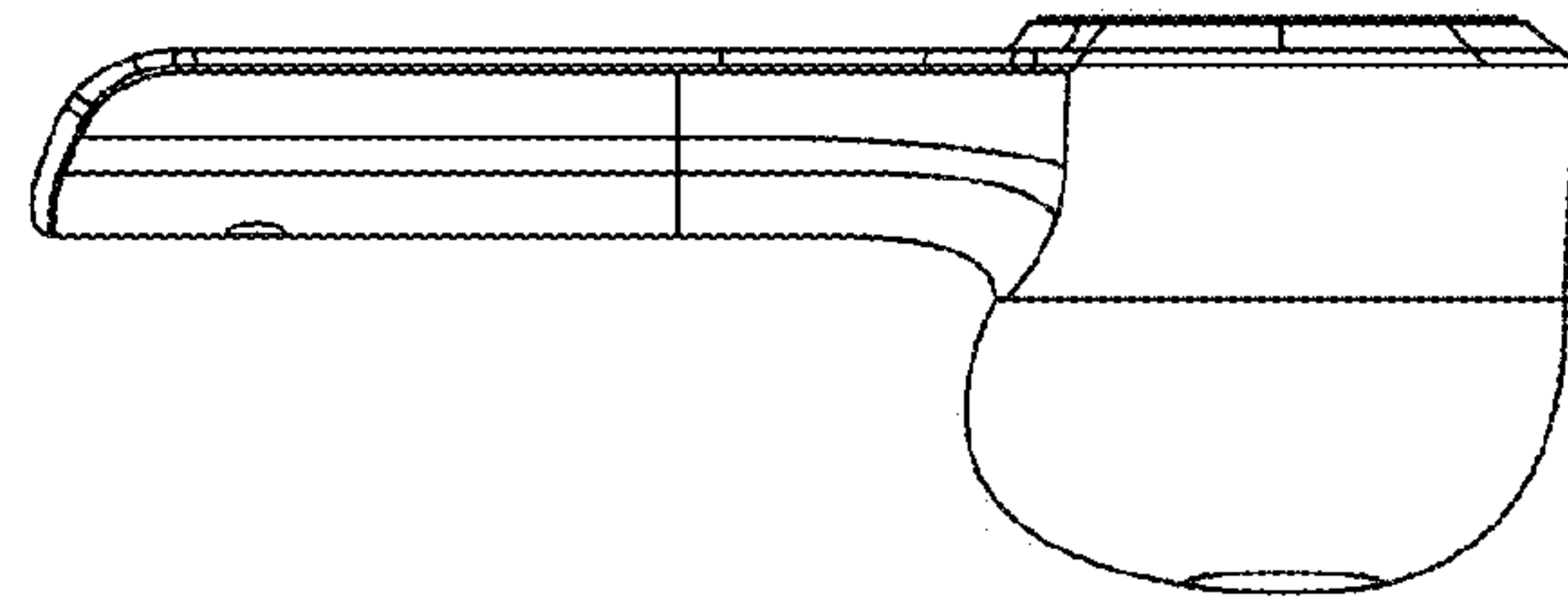


FIG. 12

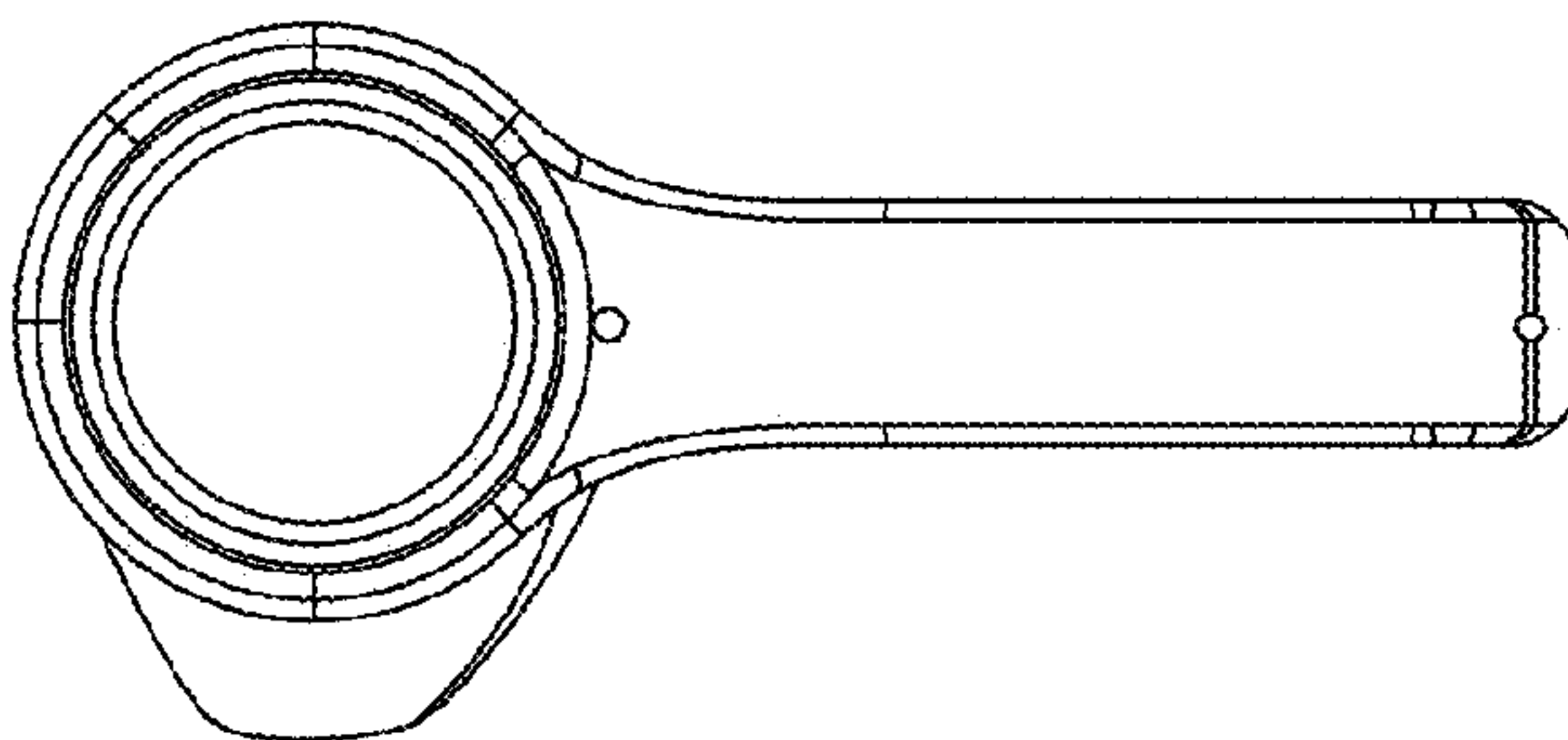


FIG. 13

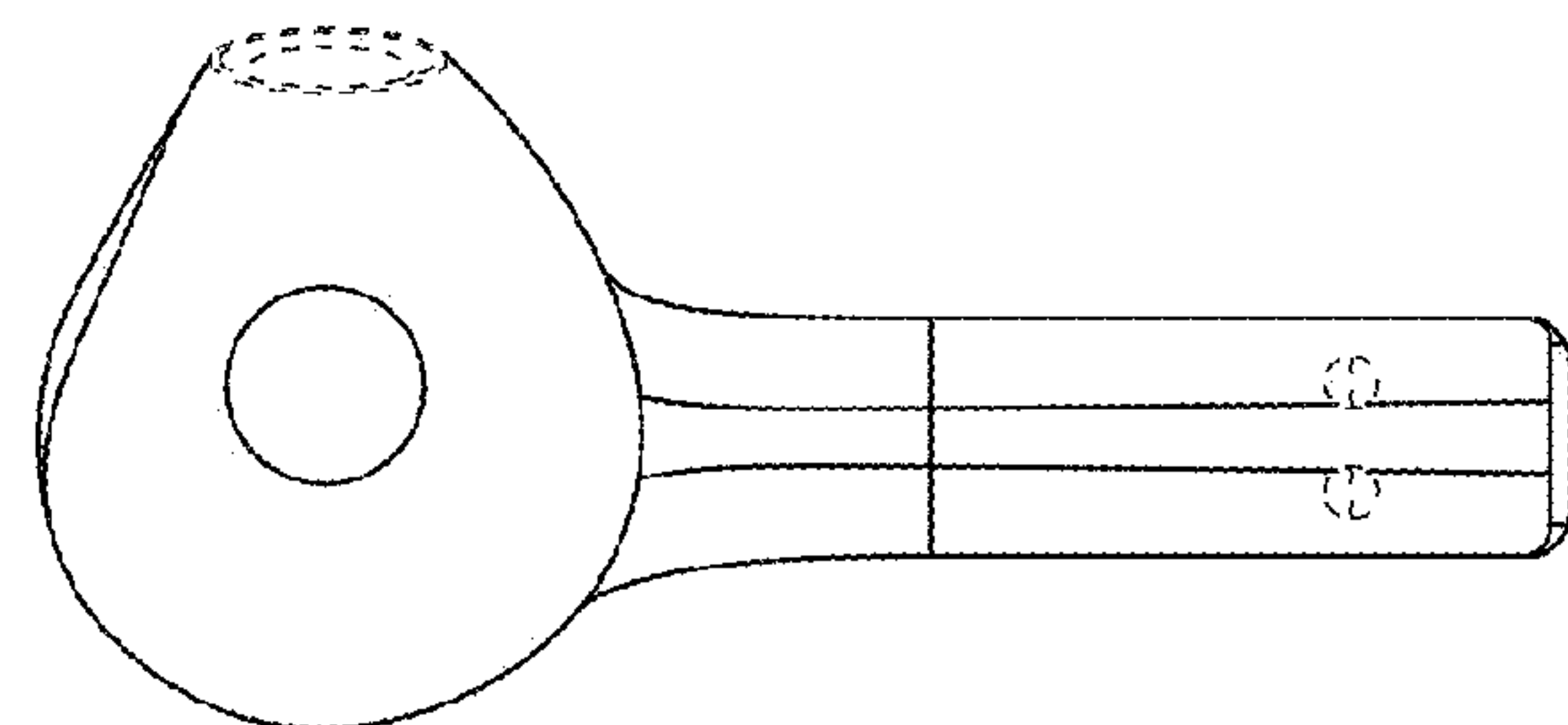


FIG. 14

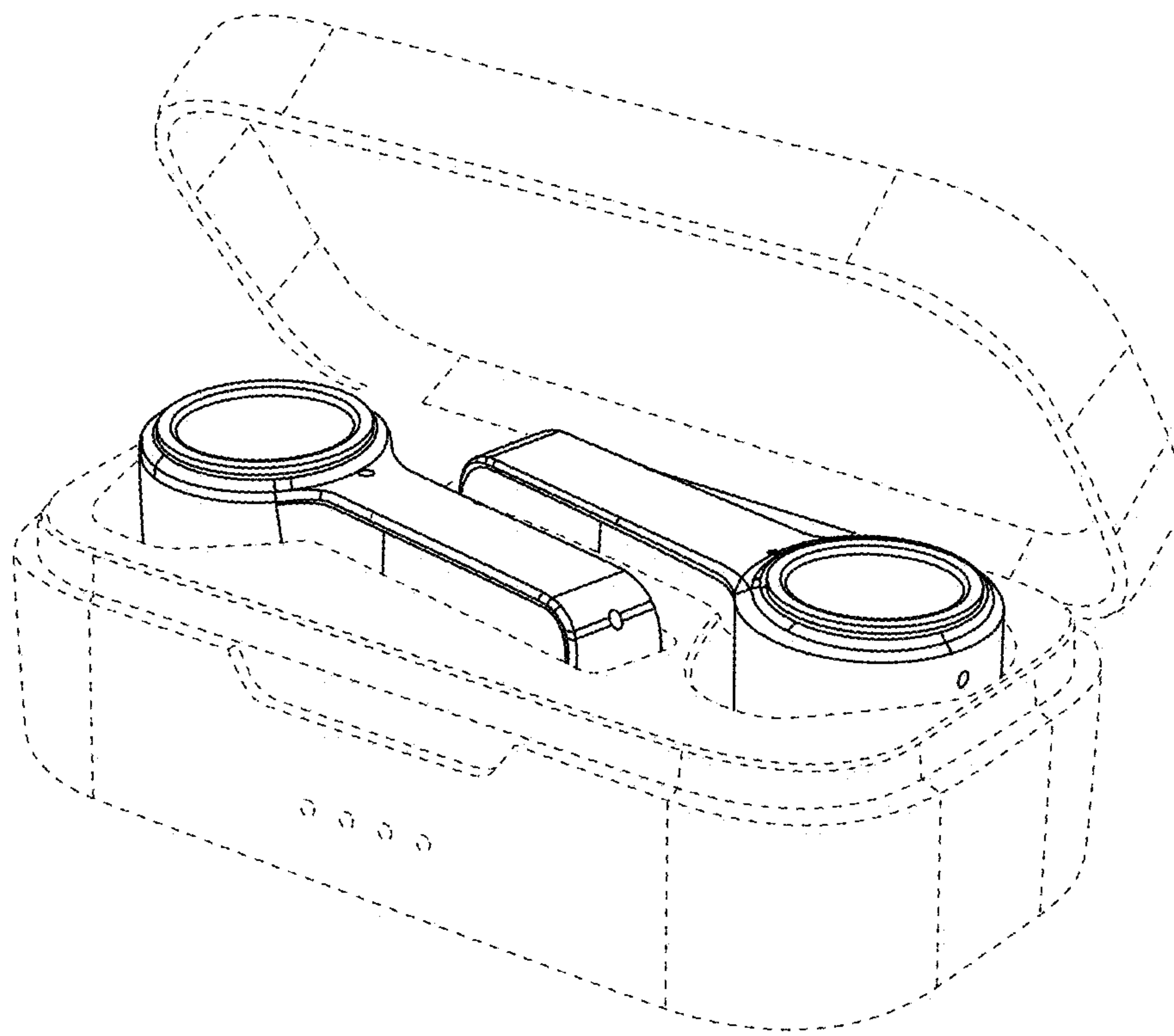


FIG. 15