



US00D977455S

(12) **United States Design Patent** (10) **Patent No.:** **US D977,455 S**
Huang (45) **Date of Patent:** **** Feb. 7, 2023**

(54) **TV REMOTE CONTROL**
(71) Applicant: **Xibin Huang**, Guangxi (CN)
(72) Inventor: **Xibin Huang**, Guangxi (CN)
(**) Term: **15 Years**

D953,298 S * 5/2022 Zheng D14/218
11,375,263 B2 * 6/2022 Shohara H04N 21/42204
D958,760 S * 7/2022 Baek D13/168
D962,897 S * 9/2022 Wei D14/218
2009/0051823 A1 * 2/2009 Tsurumoto G08C 17/00
348/734

(Continued)

(21) Appl. No.: **29/852,262**
(22) Filed: **Sep. 6, 2022**
(51) **LOC (14) Cl.** **14-03**
(52) **U.S. Cl.**
USPC **D14/218**
(58) **Field of Classification Search**
USPC D14/218, 217; D13/168
CPC G08C 17/02; G08C 19/00; G08C 19/12;
G08C 19/28; G08C 23/04; H04B 1/202;
H05B 45/00; H05B 47/10; H03J 9/00;
H03J 9/02; H03J 1/0025; H01H 9/0025;
H01H 9/0228; H01H 9/0235
See application file for complete search history.

FOREIGN PATENT DOCUMENTS

CN 306662643 * 7/2021
GB 8207717000-6000 * 12/2019
JP D1728204 * 10/2022

OTHER PUBLICATIONS

GE Home Electrical Store, "Universal Remote Control for Samsung . . .", available at amazon.com, date first available Jul. 20, 2016, site visited Nov. 16, 2022, available at URL: <https://a.co/d/9MxqWdy> (Year: 2016).*

Primary Examiner — Daniel J Domino
Assistant Examiner — Samina Vieth

(56) **References Cited**
U.S. PATENT DOCUMENTS

D580,916 S * 11/2008 Huang D14/218
D583,363 S * 12/2008 Song D14/218
D654,055 S * 2/2012 Won D14/218
D664,945 S * 8/2012 Morris D14/218
D689,468 S * 9/2013 Lim D14/218
D809,485 S * 2/2018 McManigal D14/218
D856,308 S * 8/2019 Pang D14/218
D866,526 S * 11/2019 Pinto Couto D14/218
D898,706 S * 10/2020 Jiang D14/218
D901,452 S * 11/2020 Maier D14/218
D905,015 S * 12/2020 Maier D14/218
D931,836 S * 9/2021 Pinto Couto D14/218
D934,838 S * 11/2021 Warrick D14/218
D942,968 S * 2/2022 Maier D14/218
D943,550 S * 2/2022 Maier D14/218
11,271,413 B2 * 3/2022 Nguyen A61L 2/26
D952,607 S 5/2022 Lee et al.

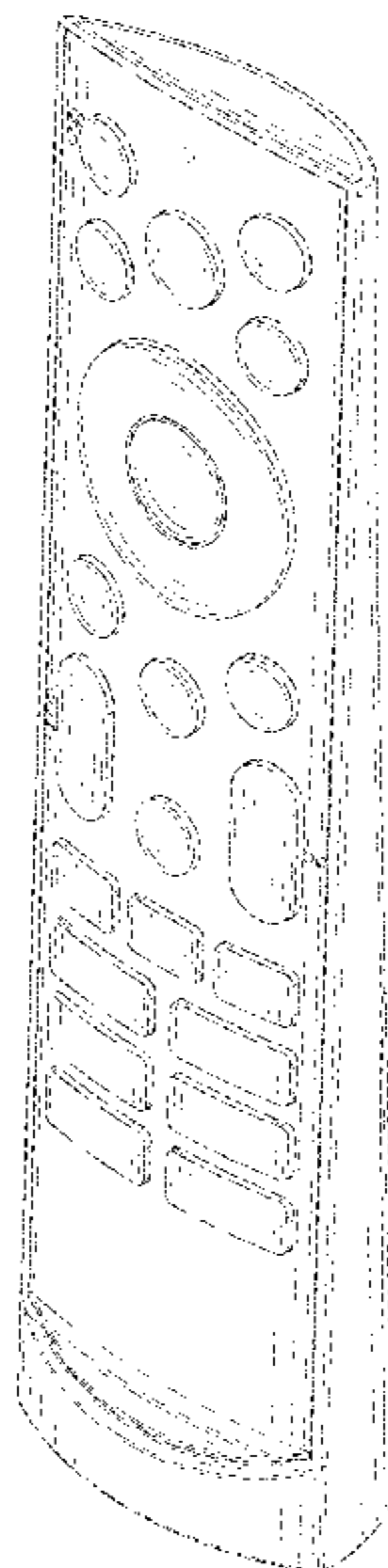
(57) **CLAIM**

The ornamental design for a TV remote control, as shown and described.

DESCRIPTION

FIG. 1 is a front and top perspective view of a TV remote control, showing my new design;
FIG. 2 is a rear and bottom perspective view thereof;
FIG. 3 is a front elevation view thereof;
FIG. 4 is a rear elevation view thereof;
FIG. 5 is a left side elevation view thereof;
FIG. 6 is a right side elevation view thereof;
FIG. 7 is a top plan view thereof; and,
FIG. 8 is a bottom plan view thereof.
The broken lines in the figures illustrate portions of the TV remote control that form no part of the claimed design.

1 Claim, 8 Drawing Sheets



(56)

References Cited

U.S. PATENT DOCUMENTS

2018/0115735 A1* 4/2018 Hyun G08C 23/04
2018/0350535 A1* 12/2018 Maier H01H 13/70

* cited by examiner

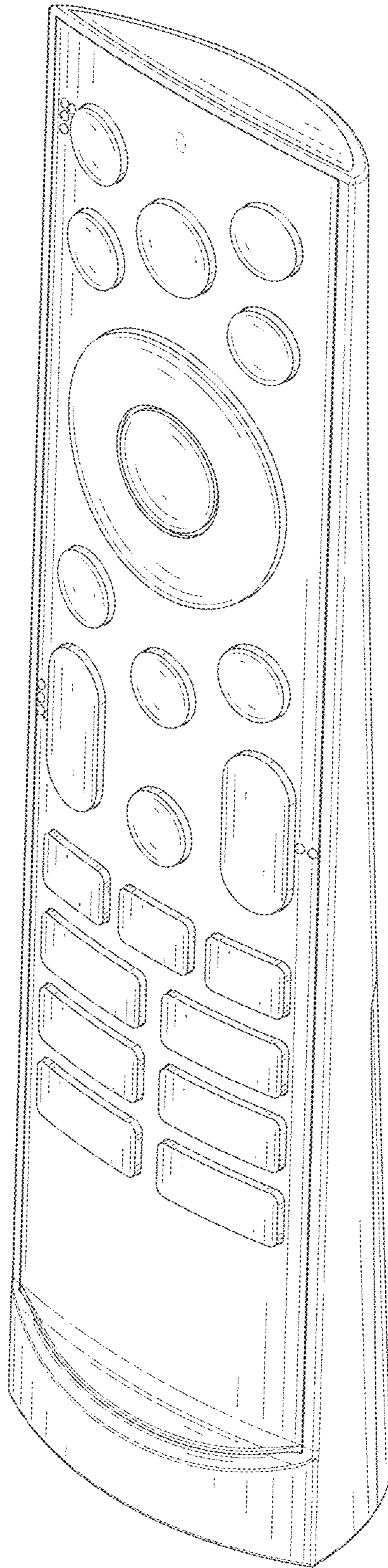


FIG. 1

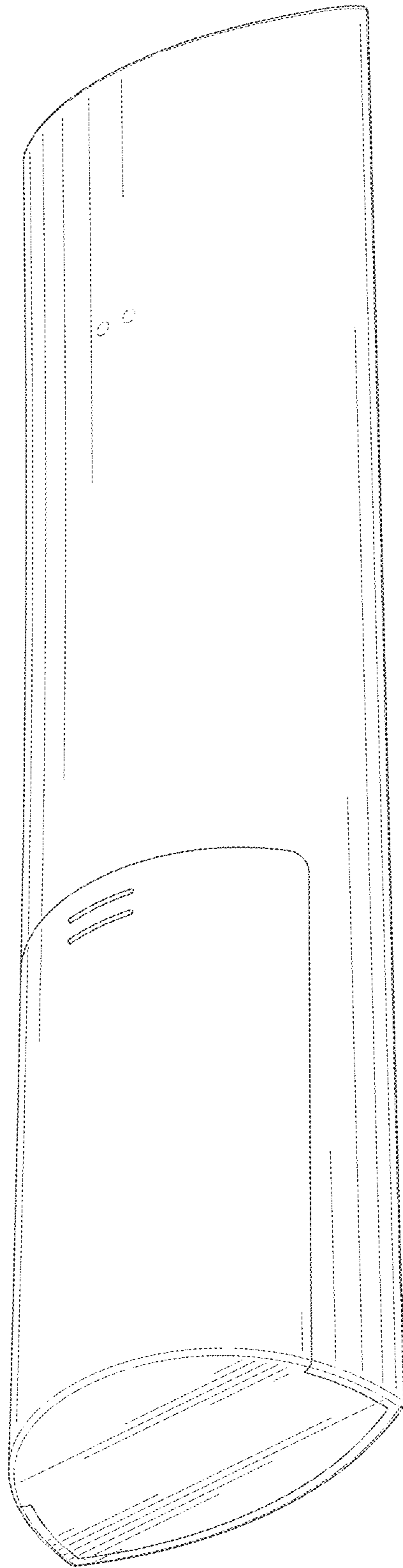


FIG. 2

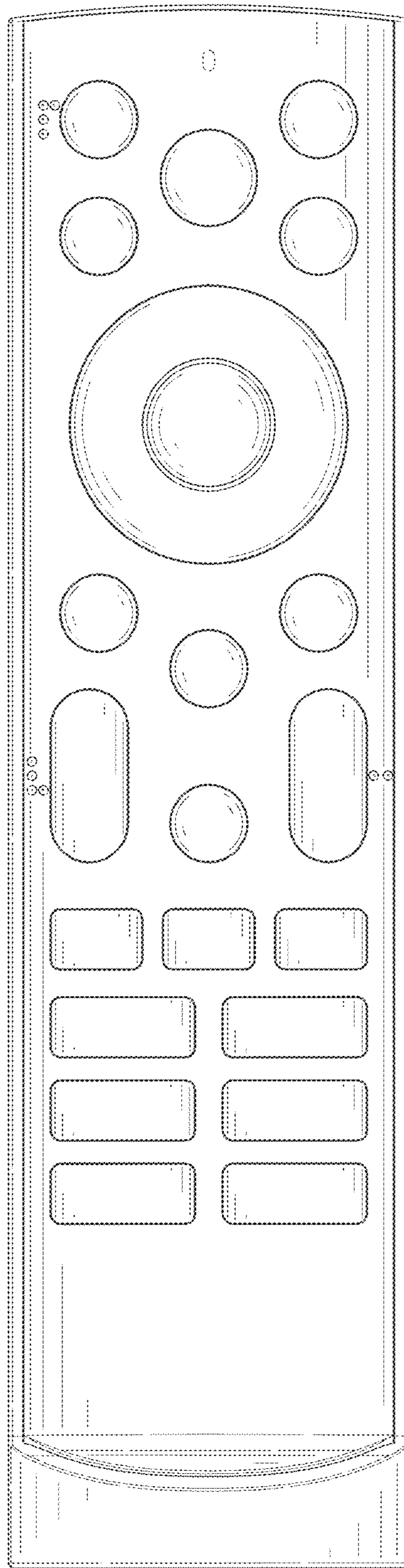


FIG. 3

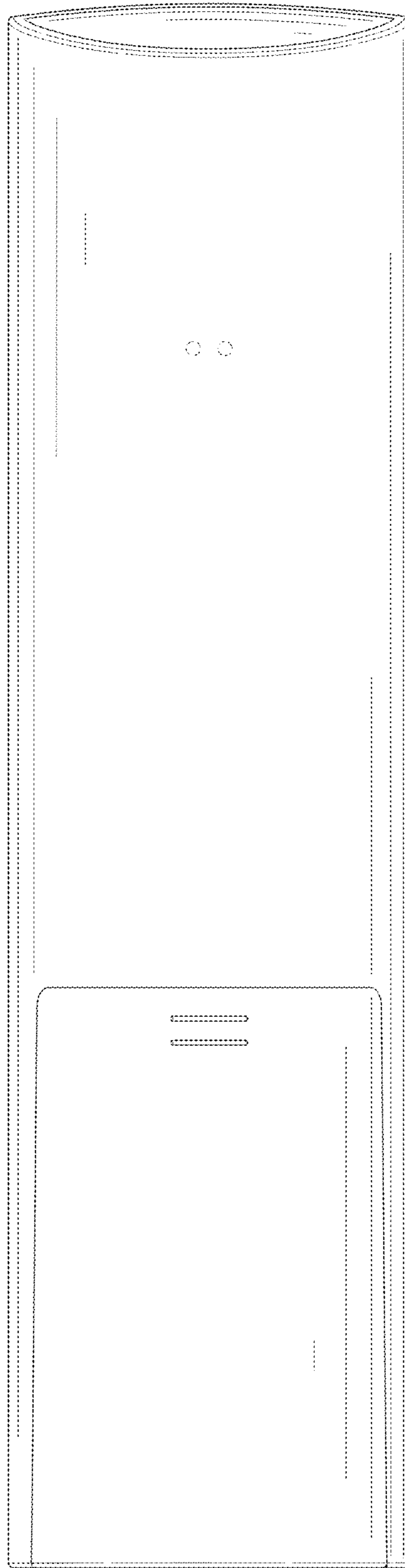


FIG. 4

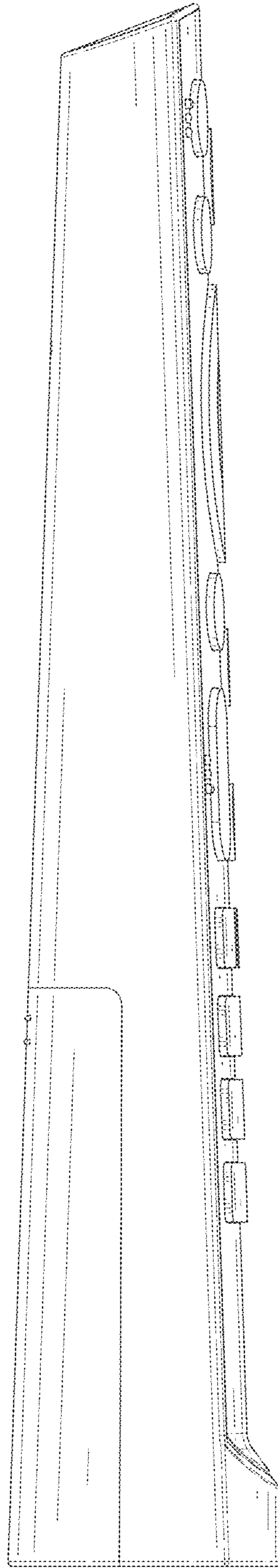


FIG. 5

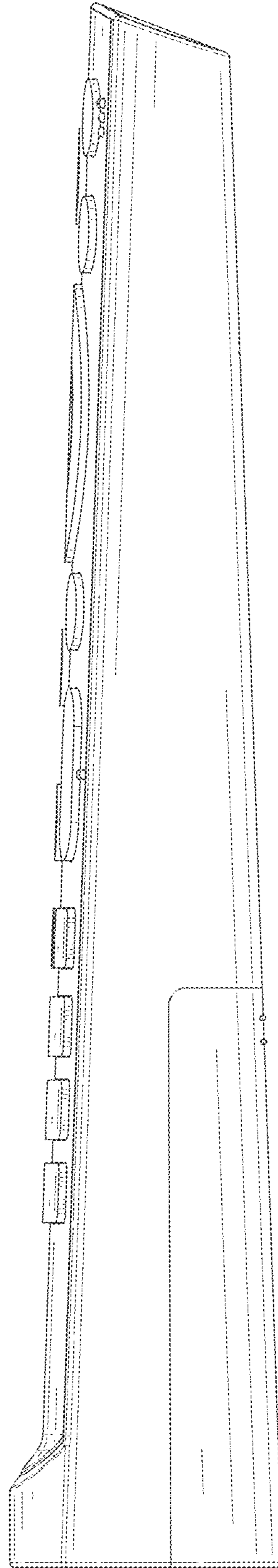


FIG. 6

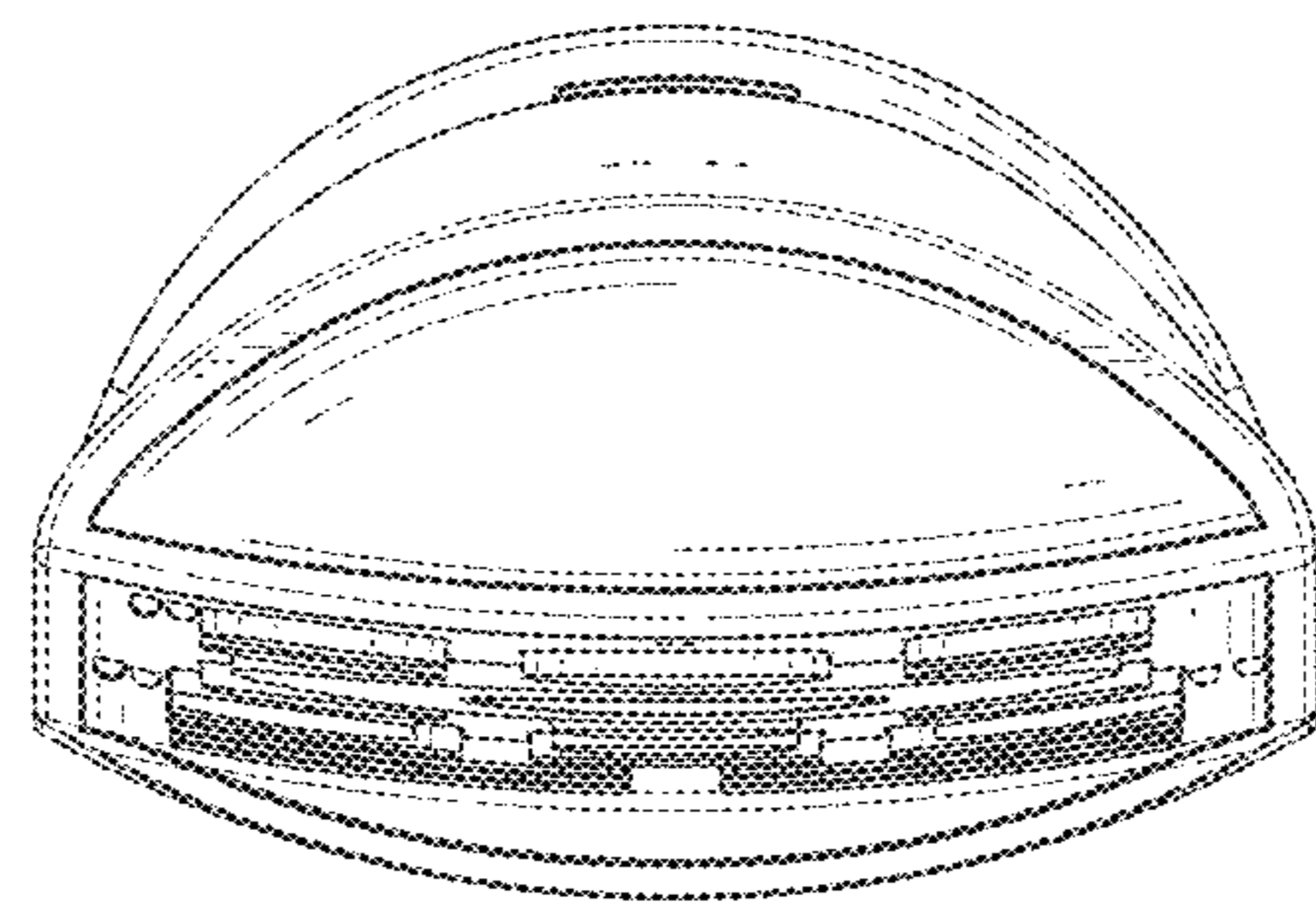


FIG. 7

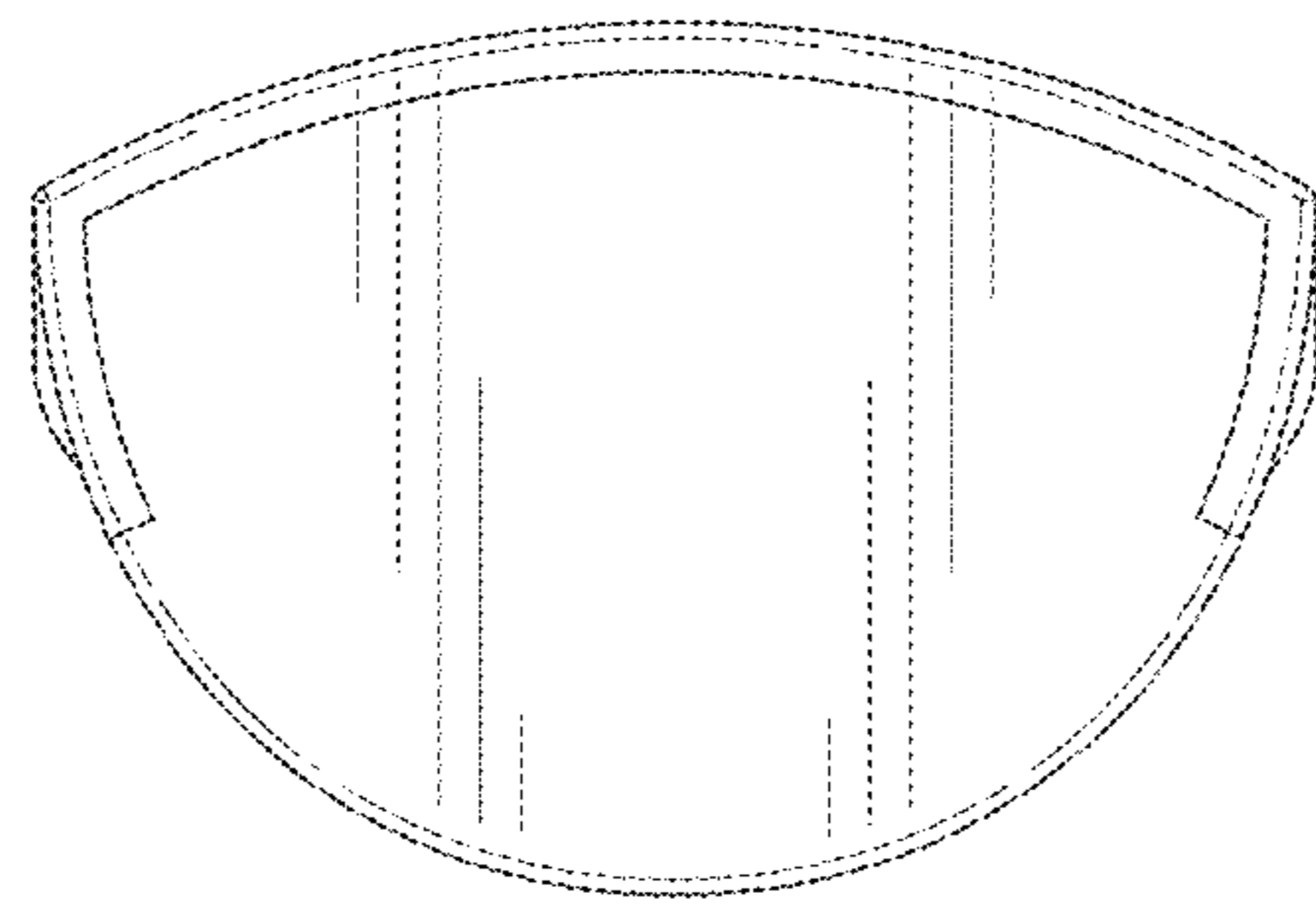


FIG. 8